



US00D750922S

(12) **United States Design Patent**  
**Weidler**

(10) **Patent No.:** **US D750,922 S**  
(45) **Date of Patent:** **\*\* Mar. 8, 2016**

(54) **BISTRO TABLE**

D293,400 S \* 12/1987 Stewart ..... D6/691  
D361,458 S \* 8/1995 Laske ..... D6/692.4  
D699,991 S \* 2/2014 Weidler ..... D6/708.16

(71) Applicant: **Robert Craig Weidler**, Mableton, GA  
(US)

\* cited by examiner

(72) Inventor: **Robert Craig Weidler**, Mableton, GA  
(US)

*Primary Examiner* — Janice Seeger  
(74) *Attorney, Agent, or Firm* — E J Asbury III, LLC

(\*\*) Term: **14 Years**

(21) Appl. No.: **29/487,831**

(57) **CLAIM**  
The ornamental design for a bistro table, as shown and described.

(22) Filed: **Apr. 11, 2014**

(51) **LOC (10) Cl.** ..... **06-06**

(52) **U.S. Cl.**  
USPC ..... **D6/708.16**

**DESCRIPTION**

(58) **Field of Classification Search**  
USPC ..... D6/708, 708.16, 691, 691.6, 692, 692.4  
CPC .. A47B 13/02; A47B 2013/024; A47B 13/06;  
A47B 2013/022; A47B 2200/012  
See application file for complete search history.

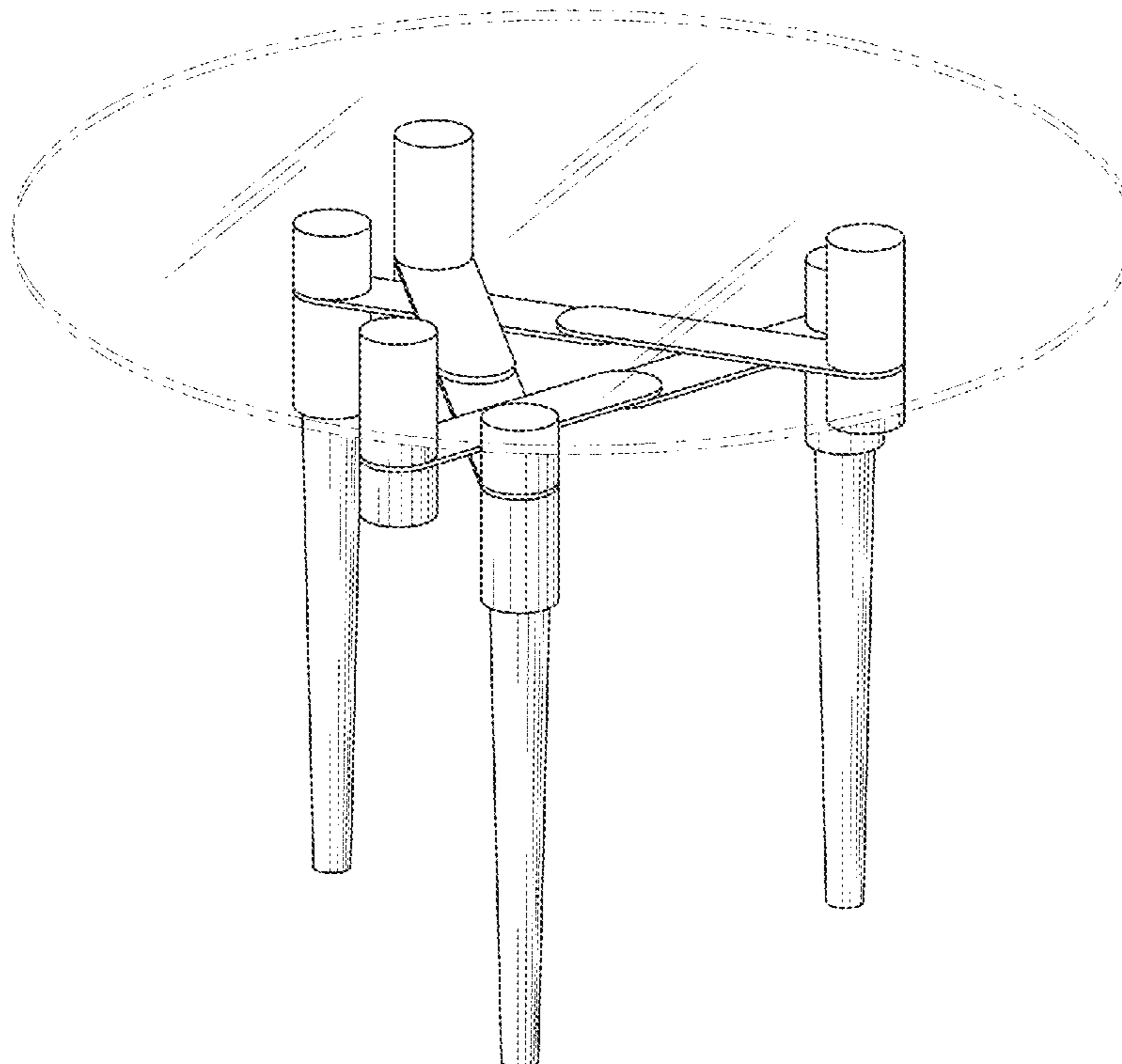
FIG. 1 is a side perspective view of the coffee table;  
FIG. 2 is a front view;  
FIG. 3 is a right side view;  
FIG. 4 is a back view;  
FIG. 5 is a left side view;  
FIG. 6 is a top view; and,  
FIG. 7 is a bottom view.  
The broken lines shown in FIGS. 1-7 show environmental structure and form no part of the claimed design.

(56) **References Cited**

**U.S. PATENT DOCUMENTS**

D134,388 S \* 11/1942 Waltman ..... D6/692  
D279,633 S \* 7/1985 Bromley ..... D6/691

**1 Claim, 5 Drawing Sheets**



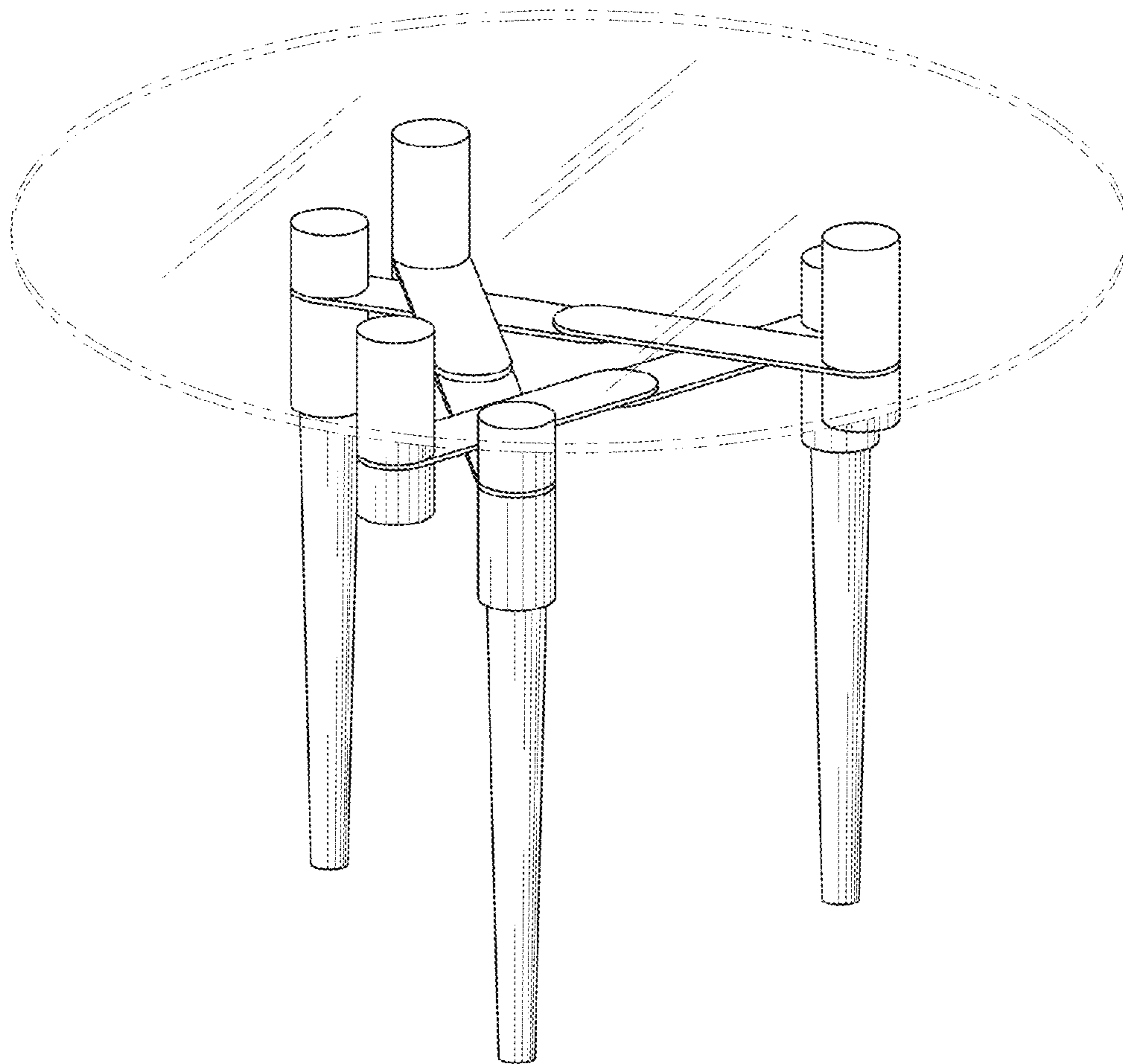


FIG. 1

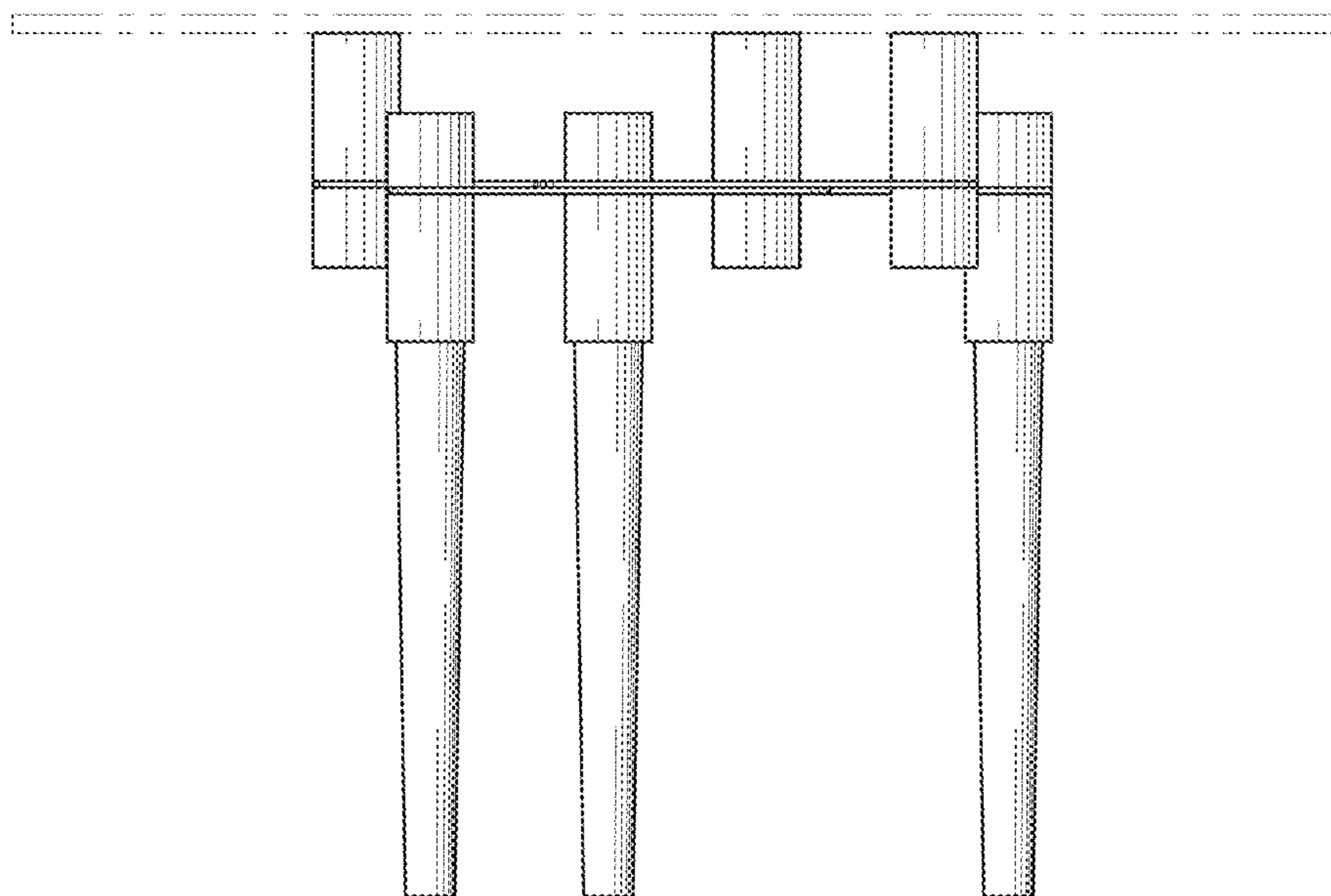


FIG. 2

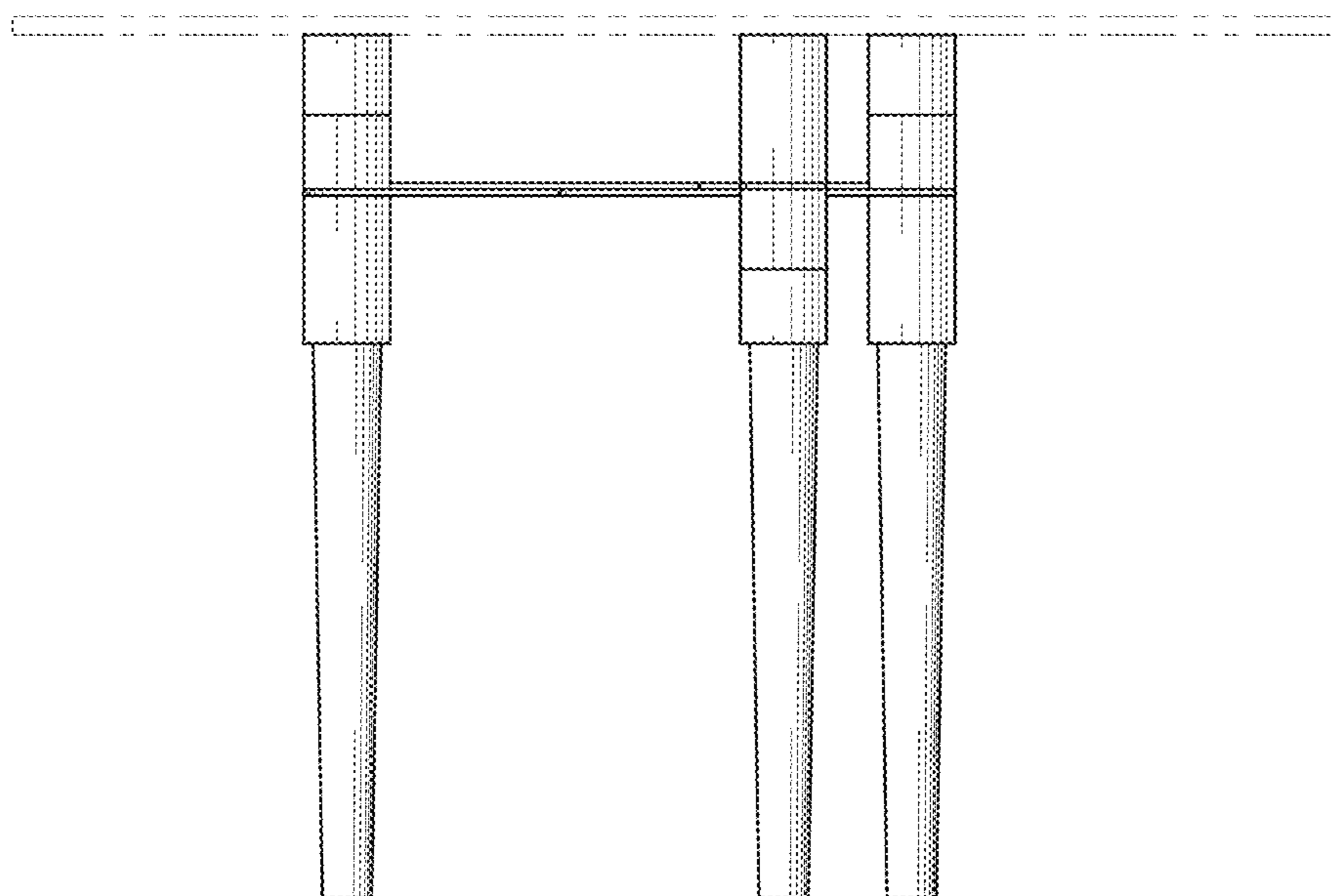


FIG. 3

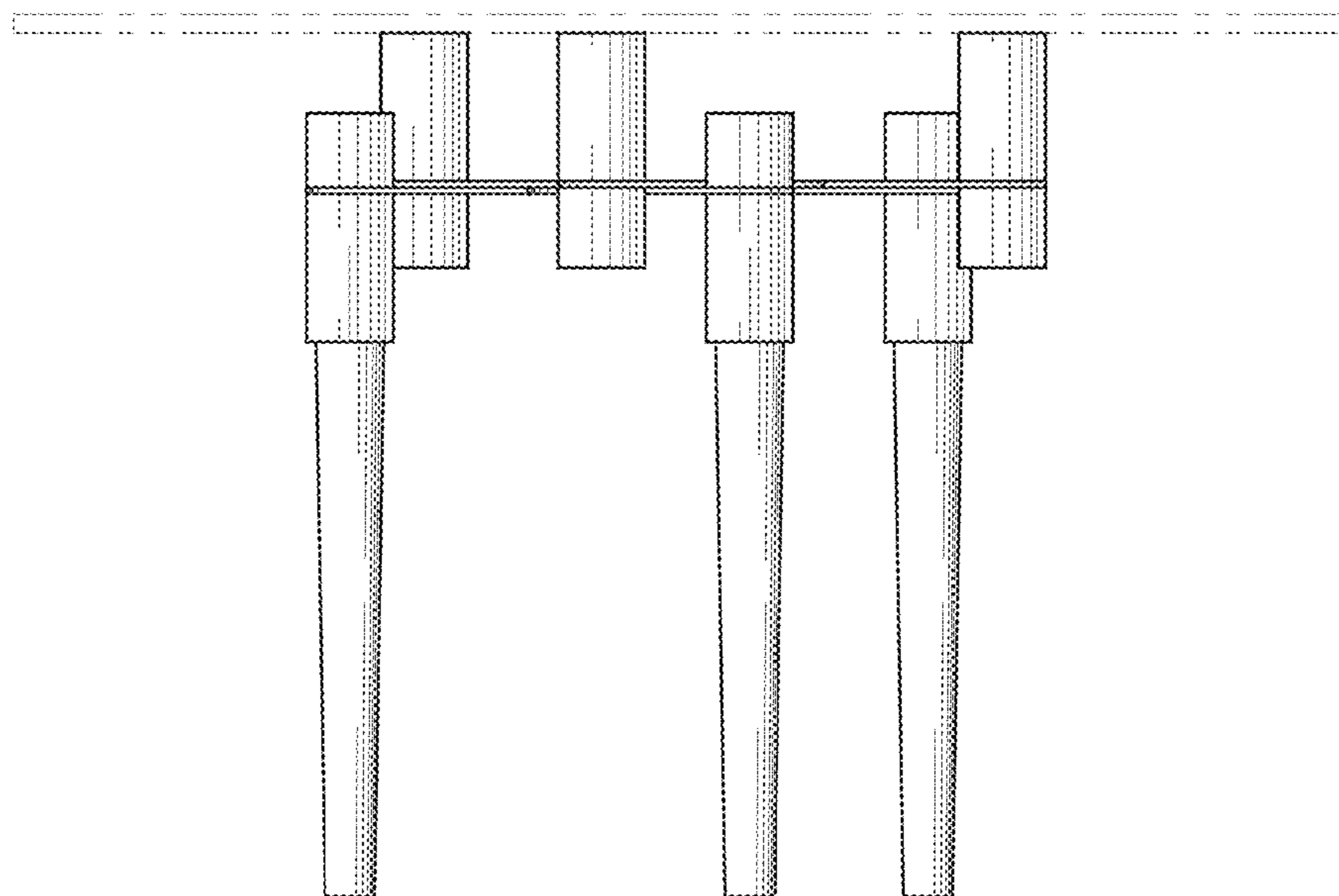


FIG. 4

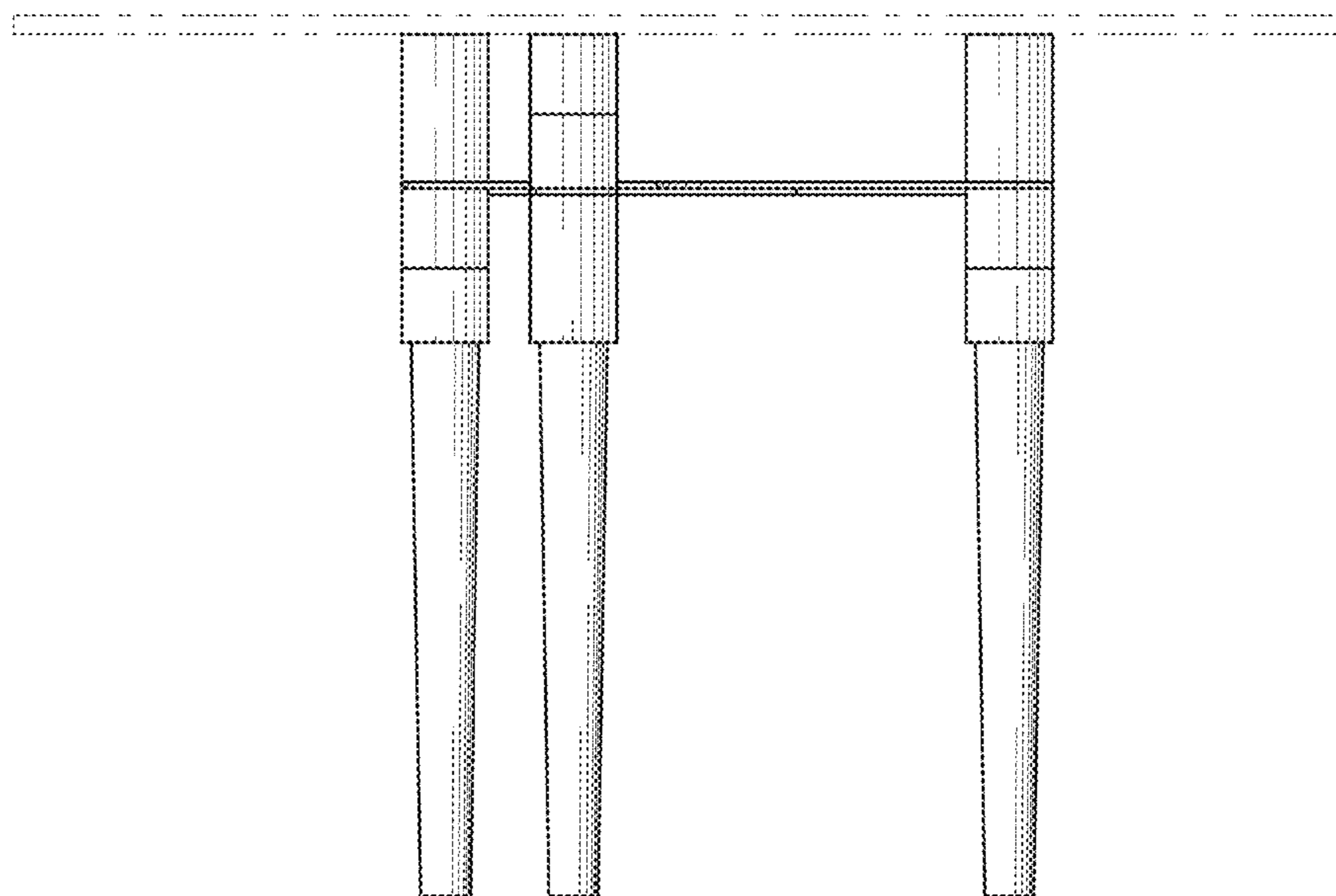


FIG. 5

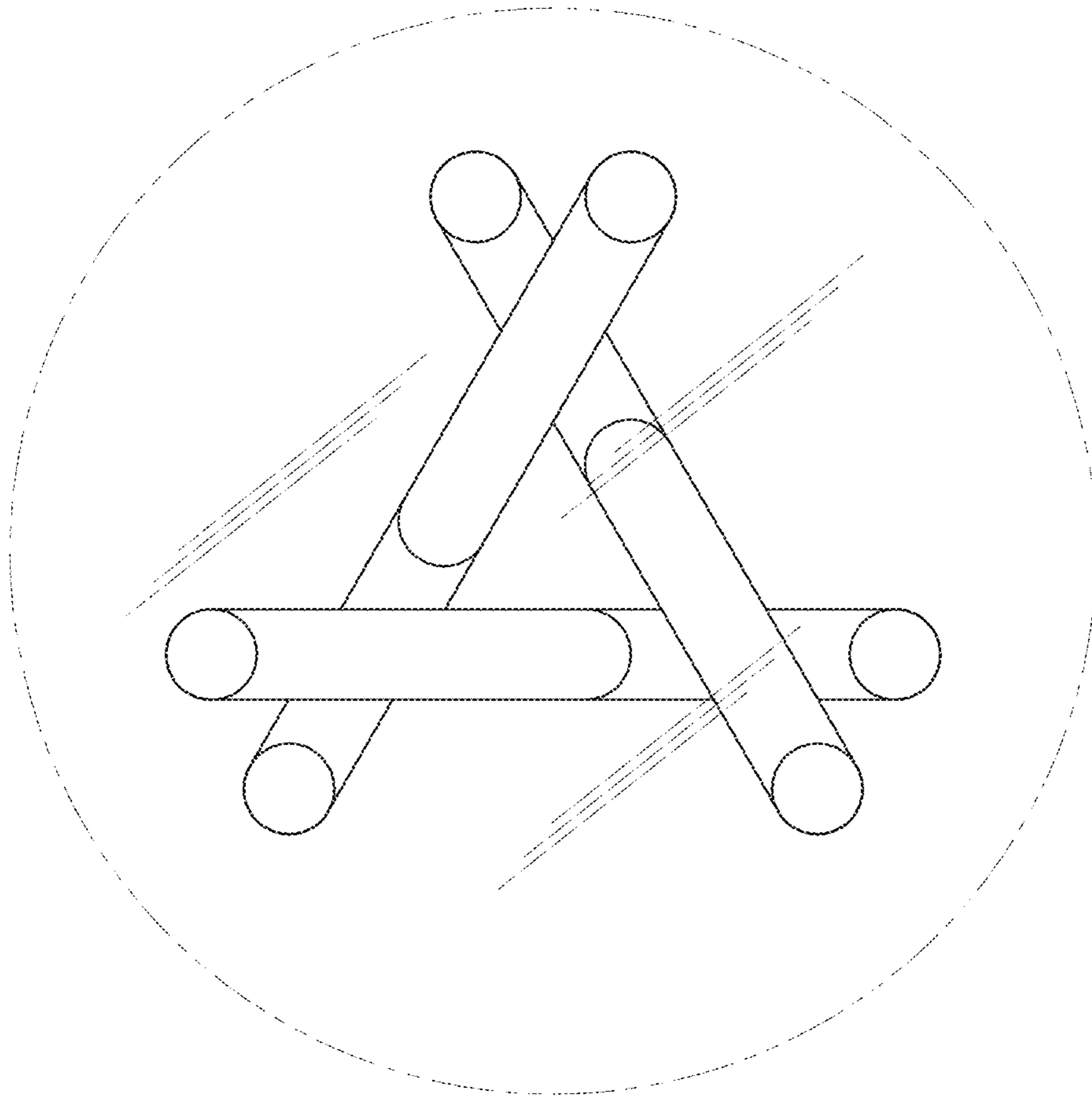


FIG. 6

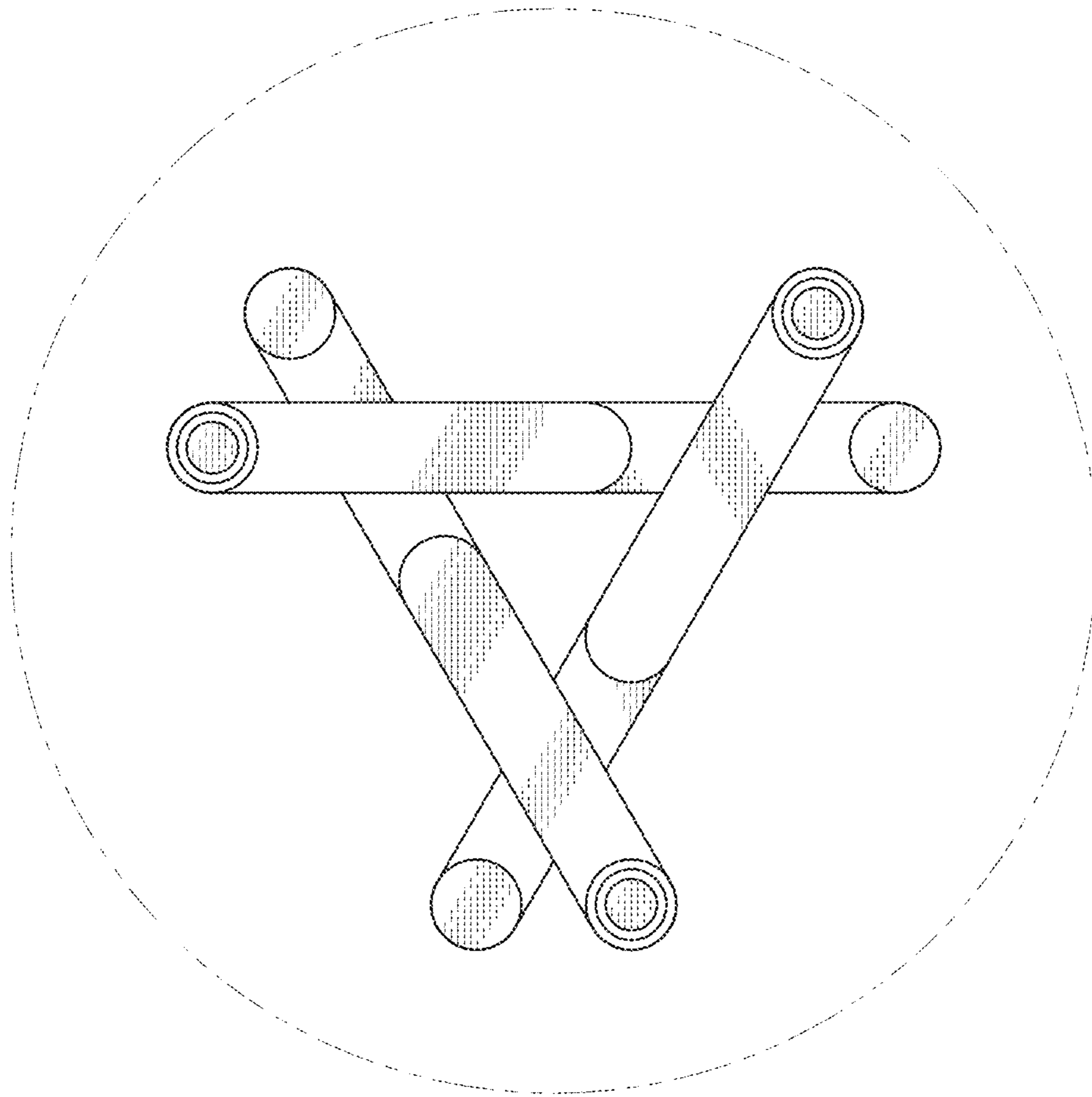


FIG. 7