



US00D750921S

(12) **United States Design Patent**
Kozak

(10) **Patent No.:** **US D750,921 S**
(45) **Date of Patent:** **** Mar. 8, 2016**

(54) **PRODUCT DISPLAY RACK**

(71) Applicant: **Burton Kozak**, Chicago, IL (US)

(72) Inventor: **Burton Kozak**, Chicago, IL (US)

(**) Term: **14 Years**

(21) Appl. No.: **29/437,831**

(22) Filed: **Nov. 21, 2012**

(51) **LOC (10) Cl.** **06-06**

(52) **U.S. Cl.**
USPC **D6/675.2**

(58) **Field of Classification Search**

USPC D6/512-514, 566, 553, 567, 569, 315,
D6/320, 327, 675-675.2; D8/349, 354,
D8/367, 372; 248/301-304, 309.1, 309.2;
211/13.1, 30, 32, 70.6, 56.01, 87.01,
211/181.1

CPC A47F 3/00; A47F 3/0439

See application file for complete search history.

(56) **References Cited**

U.S. PATENT DOCUMENTS

D200,617 S *	3/1965	Smith	D6/566
3,288,303 A *	11/1966	Dahl	211/51
4,072,246 A *	2/1978	Paulin	221/307
D275,434 S *	9/1984	Taub	D6/705.6
4,694,966 A *	9/1987	Sorenson et al.	211/88.01
D298,713 S *	11/1988	Hinderaker et al.	D6/552
5,133,463 A *	7/1992	Merl	211/190

(Continued)

OTHER PUBLICATIONS

U.S. Appl. No. 29/422,218, filed May 17, 2012.

Primary Examiner — Kelley Donnelly

(74) *Attorney, Agent, or Firm* — Factor Intellectual Property Law Group

(57) **CLAIM**

The ornamental design of a product display rack, as shown.

DESCRIPTION

FIG. 1 is a front and side perspective view of an embodiment of a first embodiment of a product display rack according to the present invention.

FIG. 2 is an elevation left side view (when viewed from the front) of the product display rack of FIG. 1.

FIG. 3 is an elevation right side view (when viewed from the front) of the product display rack of FIG. 1.

FIG. 4 is an elevation back view of the product display rack of FIG. 1.

FIG. 5 is an elevation front view of the product display rack of FIG. 1.

FIG. 6 is a top view of the product display rack of FIG. 1.

FIG. 7 is a bottom view of the product display rack of FIG. 1.

FIG. 8 is a front and side perspective view of a second embodiment of a second embodiment of a product display rack according to the present invention.

FIG. 9 is an elevation left side view (when viewed from the front) of the product display rack of FIG. 8.

FIG. 10 is an elevation right side view (when viewed from the front) of the product display rack of FIG. 8.

FIG. 11 is an elevation front view of the product display rack of FIG. 8.

FIG. 12 is an elevation back view of the product display rack of FIG. 8.

FIG. 13 is a top view of the product display rack of FIG. 8.

FIG. 14 is a bottom view of the product display rack of FIG. 8.

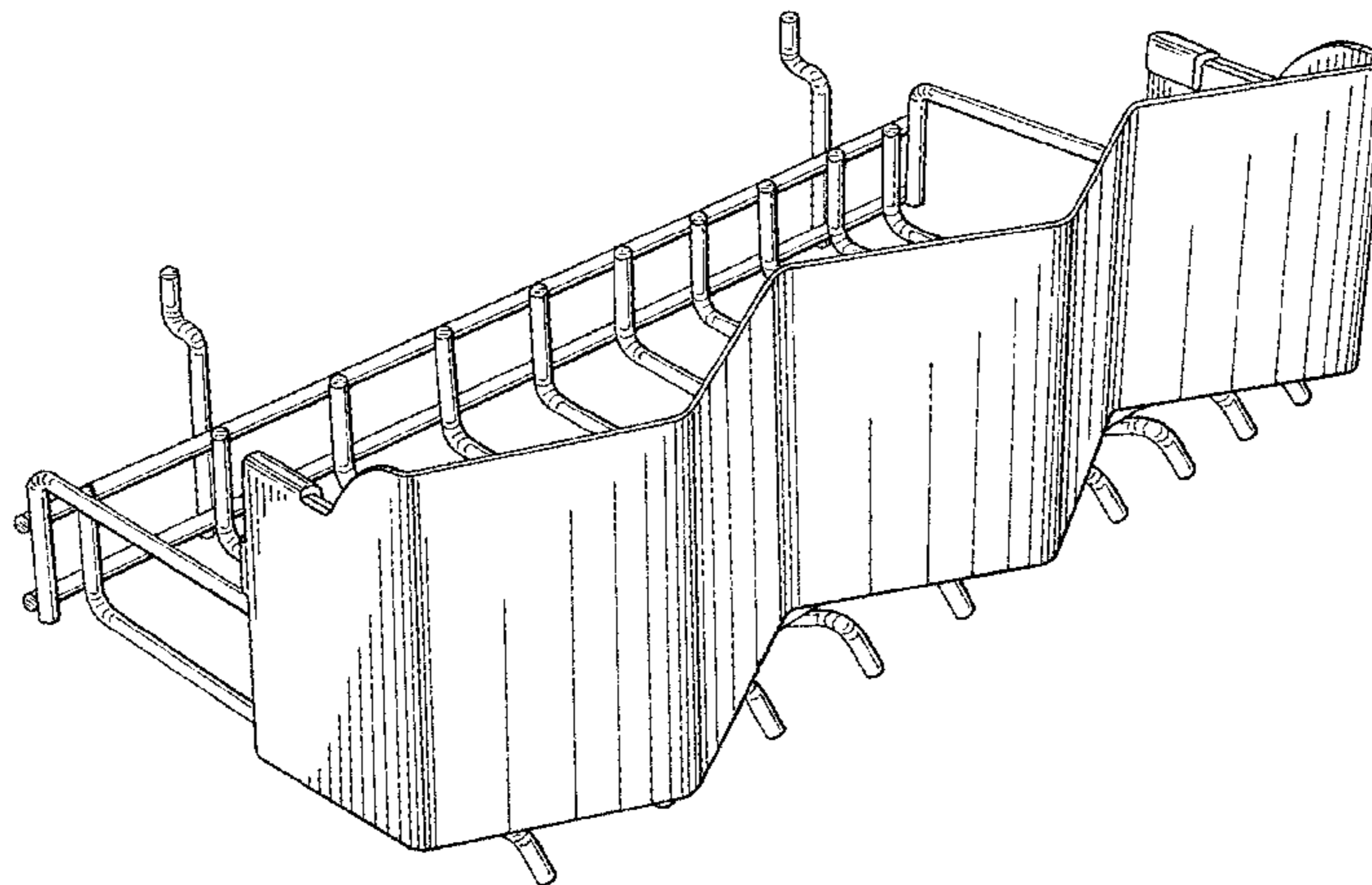
FIG. 15 is a front and side perspective view of a third embodiment of a product display rack according to the present invention.

FIG. 16 is an elevation back view of the product display rack of FIG. 15.

FIG. 17 is a top view of the product display rack of FIG. 15; and,

FIG. 18 is a bottom view of the product display rack of FIG. 15.

1 Claim, 14 Drawing Sheets



(56)

References Cited

U.S. PATENT DOCUMENTS

D330,987 S *	11/1992	Rosenthal	D6/566	D637,852 S *	5/2011	Black et al.	D6/572
D356,916 S *	4/1995	Chadwick	D6/566	D639,592 S *	6/2011	Spencer et al.	D6/566
5,449,076 A *	9/1995	Van Noord	211/59.3	D651,031 S	12/2011	Kozak		
5,641,083 A *	6/1997	Metcalf	211/187	D651,437 S *	1/2012	Zurn	D6/566
D381,854 S *	8/1997	Moeller et al.	D6/566	D661,935 S	6/2012	Kozak		
D418,349 S	1/2000	Schumacher			D671,779 S	12/2012	Kozak		
6,092,674 A *	7/2000	Rothstein et al.	211/59.1	D671,780 S	12/2012	Kozak		
D457,014 S	5/2002	Miller			D672,594 S	12/2012	Kozak		
D458,501 S *	6/2002	Battaglia et al.	D6/566	D672,992 S	12/2012	Kozak		
D462,220 S	9/2002	Battaglia			D673,799 S	1/2013	Kozak		
6,612,448 B2 *	9/2003	Plutsky	211/43	D677,077 S *	3/2013	Selby	D6/678.4
D533,002 S	12/2006	Recknagel			D677,092 S	3/2013	Kozak		
D533,745 S	12/2006	Rodrigue			D684,794 S *	6/2013	Fisher	D6/678.4
D547,138 S	7/2007	Goodman			D686,846 S *	7/2013	Kozak et al.	D6/566
D547,955 S	8/2007	Johnson			D687,649 S *	8/2013	Kozak	D6/705.6
D580,193 S *	11/2008	Sparkowski	D6/678.4	D704,474 S *	5/2014	Klein et al.	D6/552
D636,203 S	4/2011	Kozak			D712,182 S *	9/2014	Riley et al.	D6/675.2
					D720,952 S *	1/2015	Breeden et al.	D6/682.4
					D721,905 S *	2/2015	Breeden et al.	D6/682.4
					2010/0288714 A1	11/2010	Kozak		

* cited by examiner

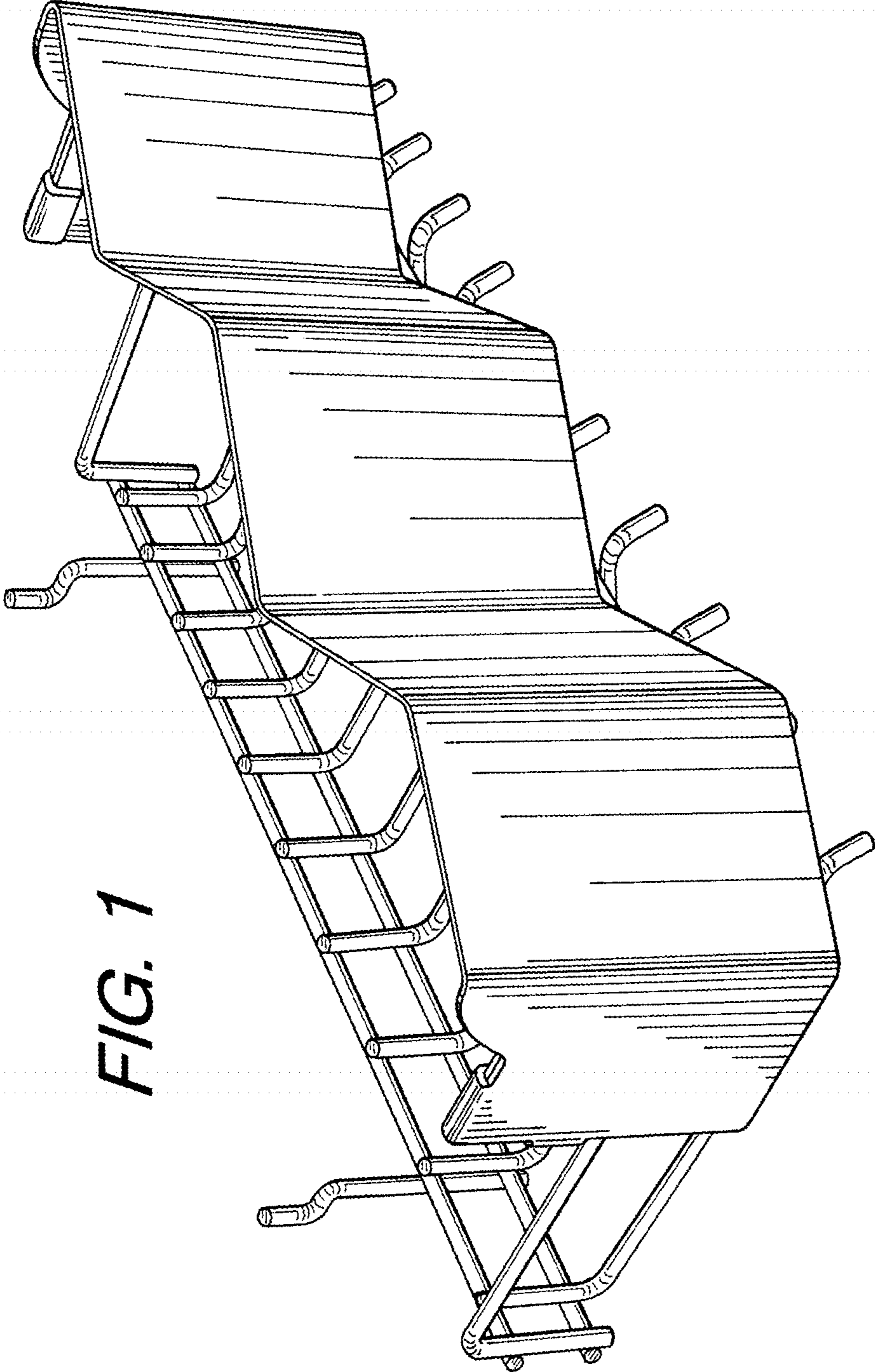


FIG. 1

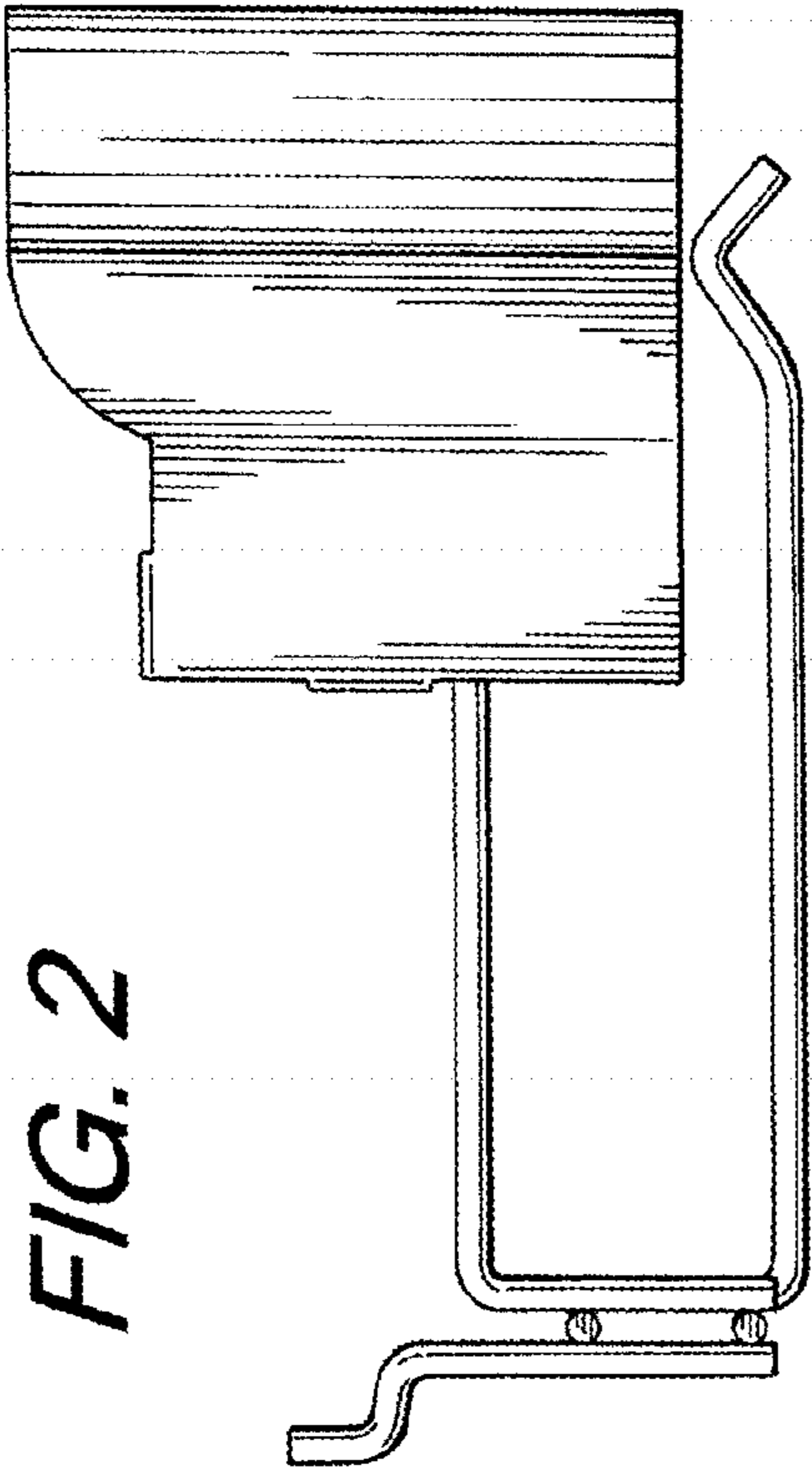


FIG. 2

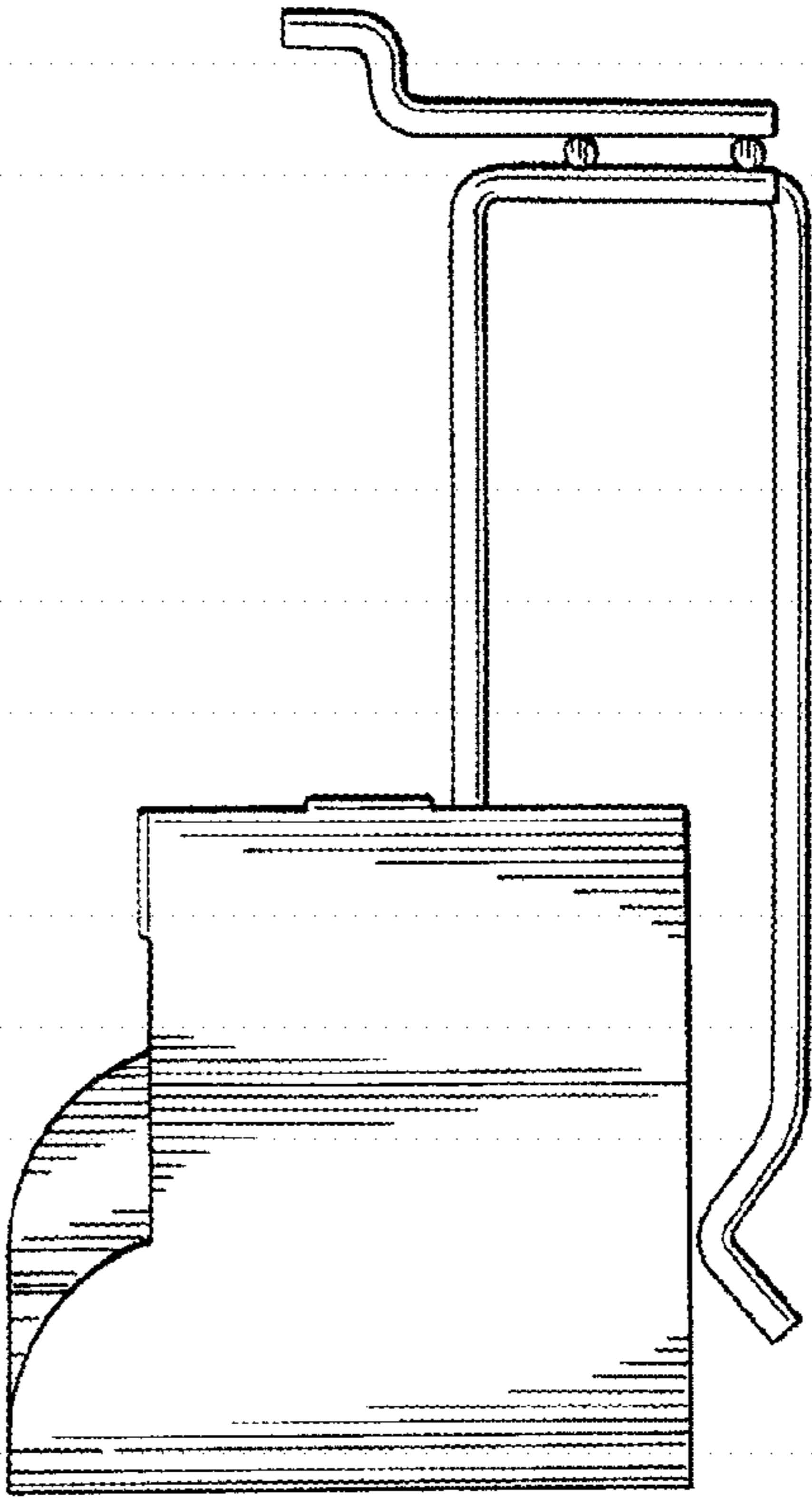


FIG. 3

FIG. 5

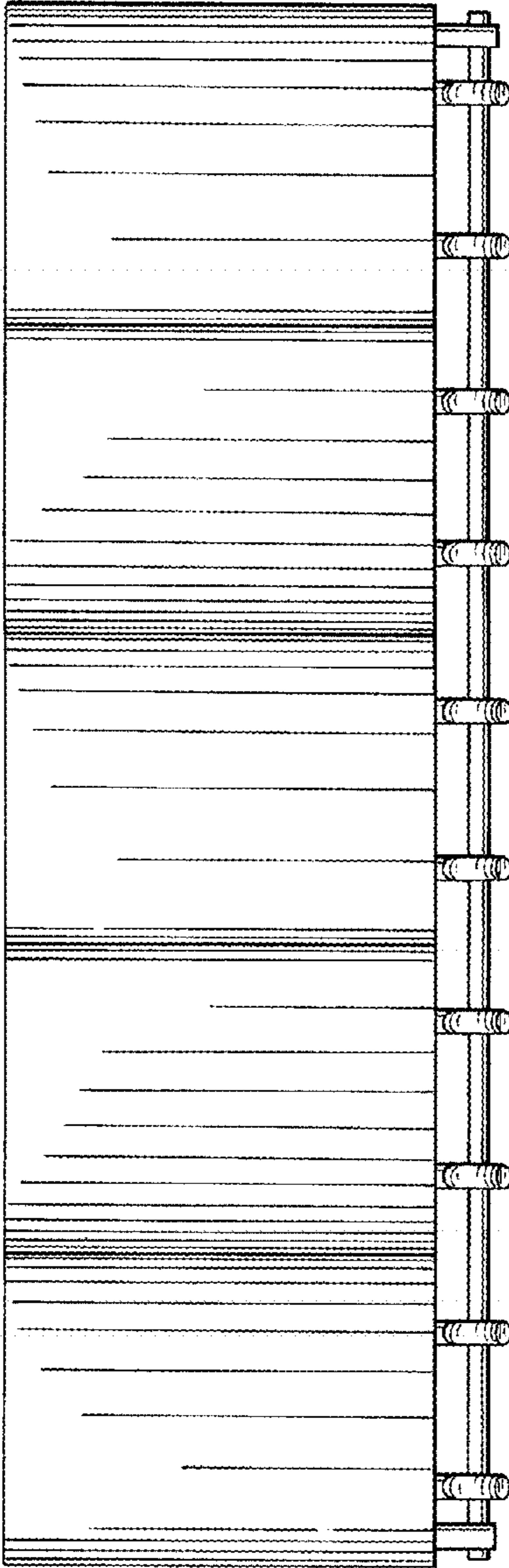


FIG. 4

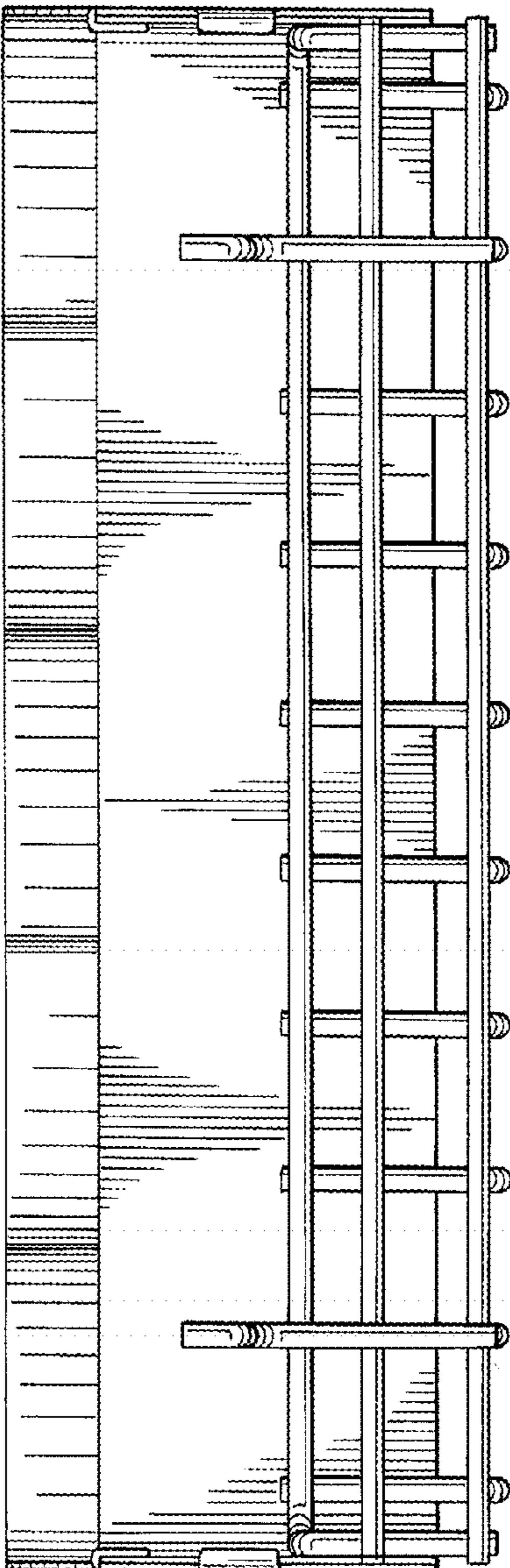


FIG. 6

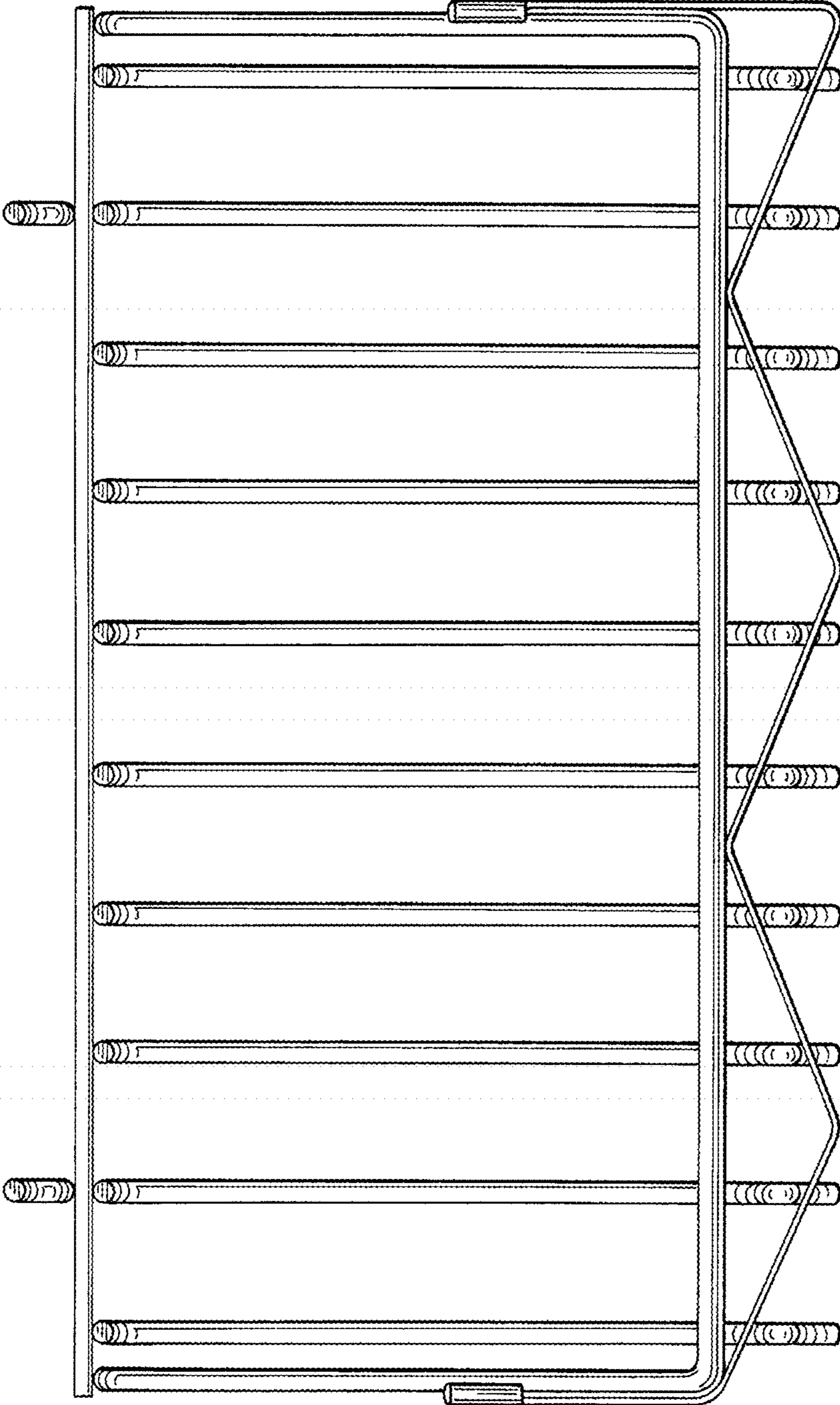
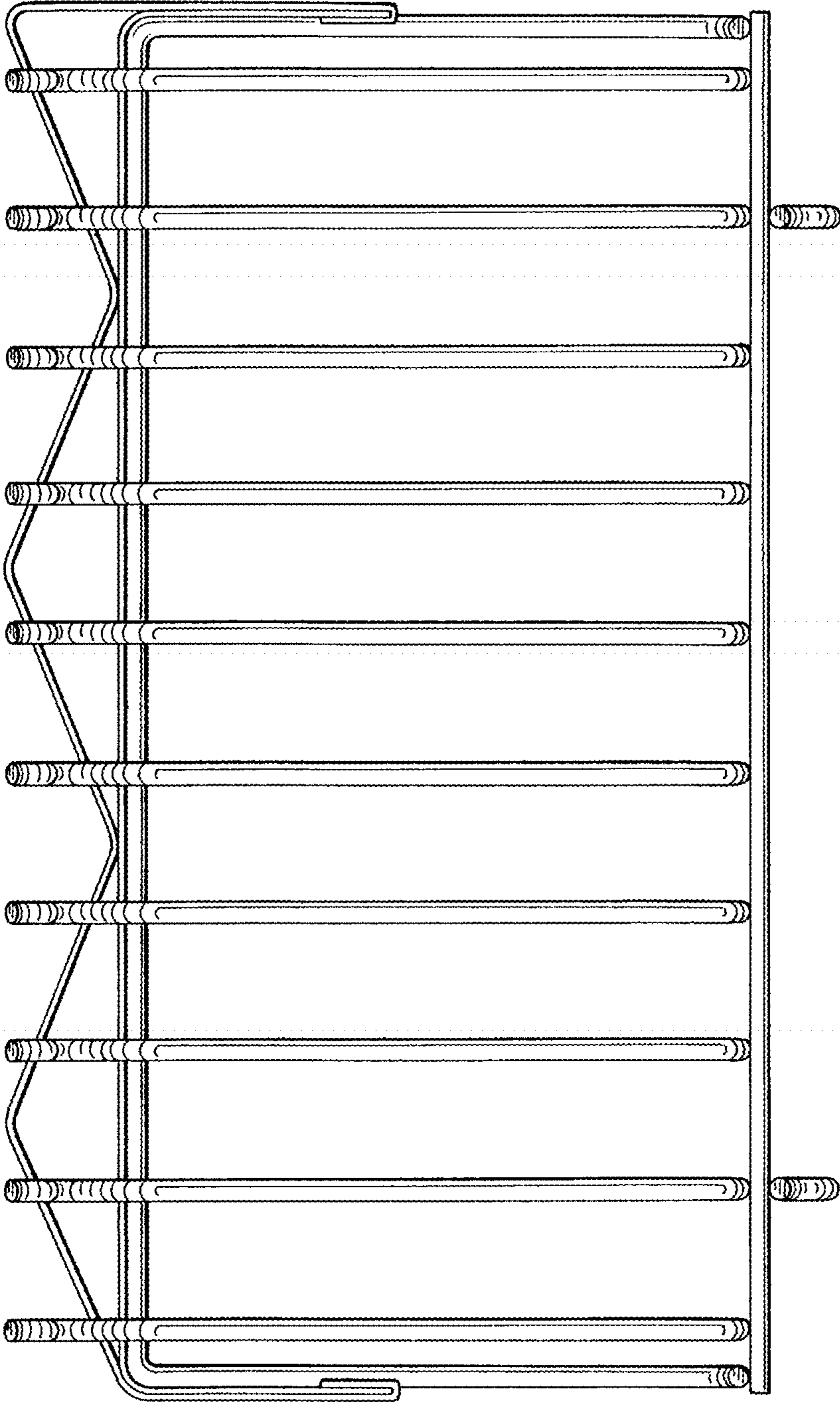


FIG. 7



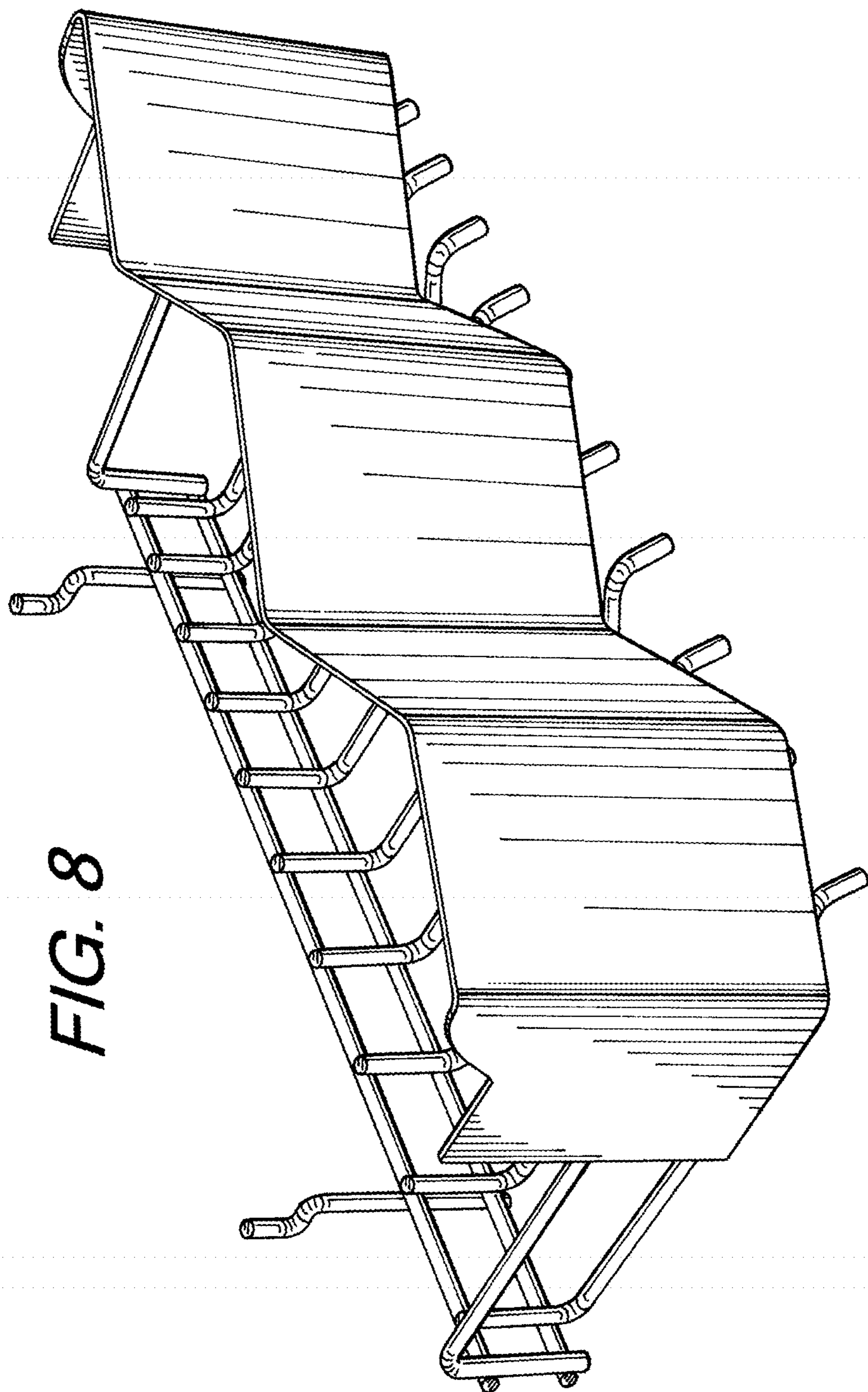


FIG. 8

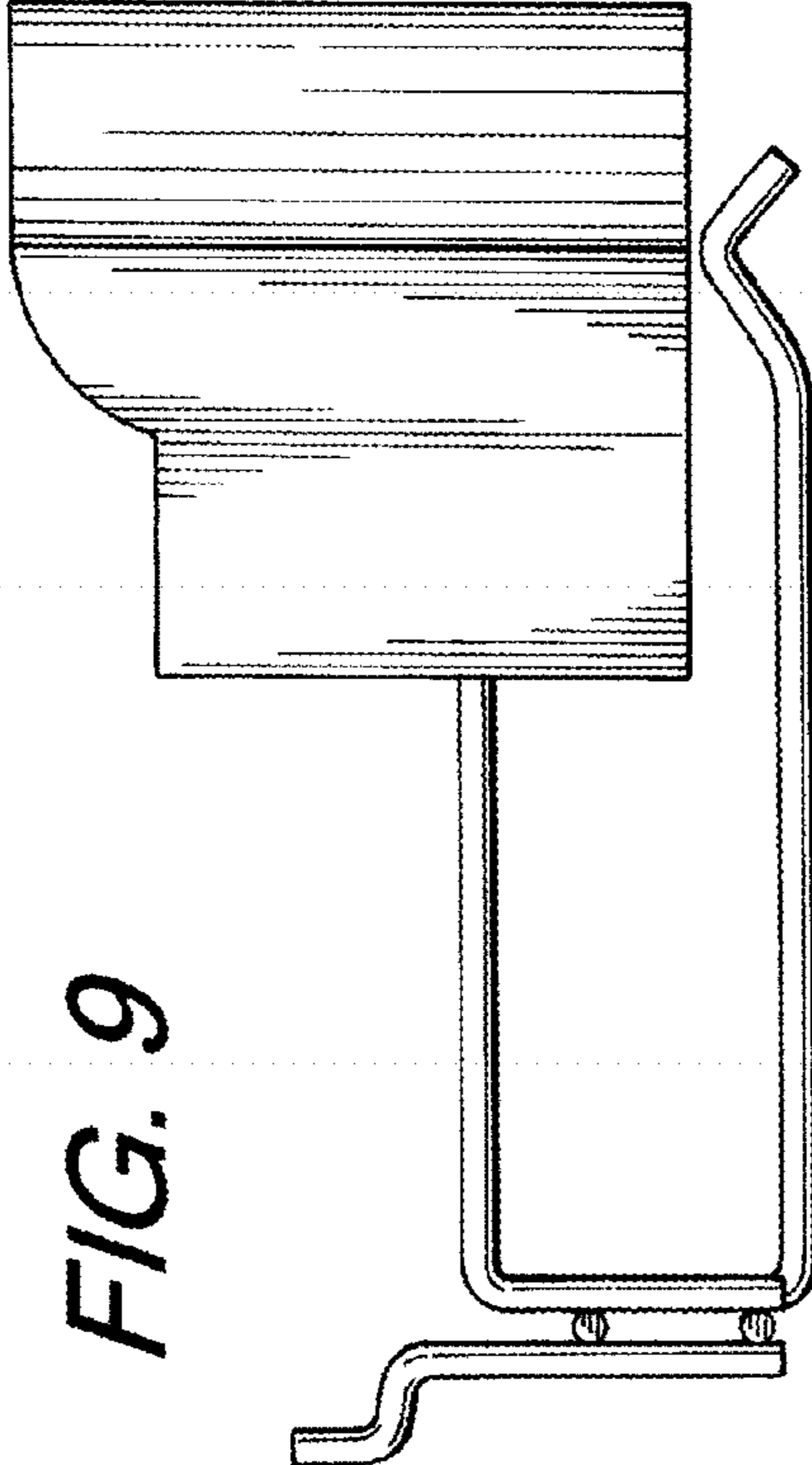


FIG. 9

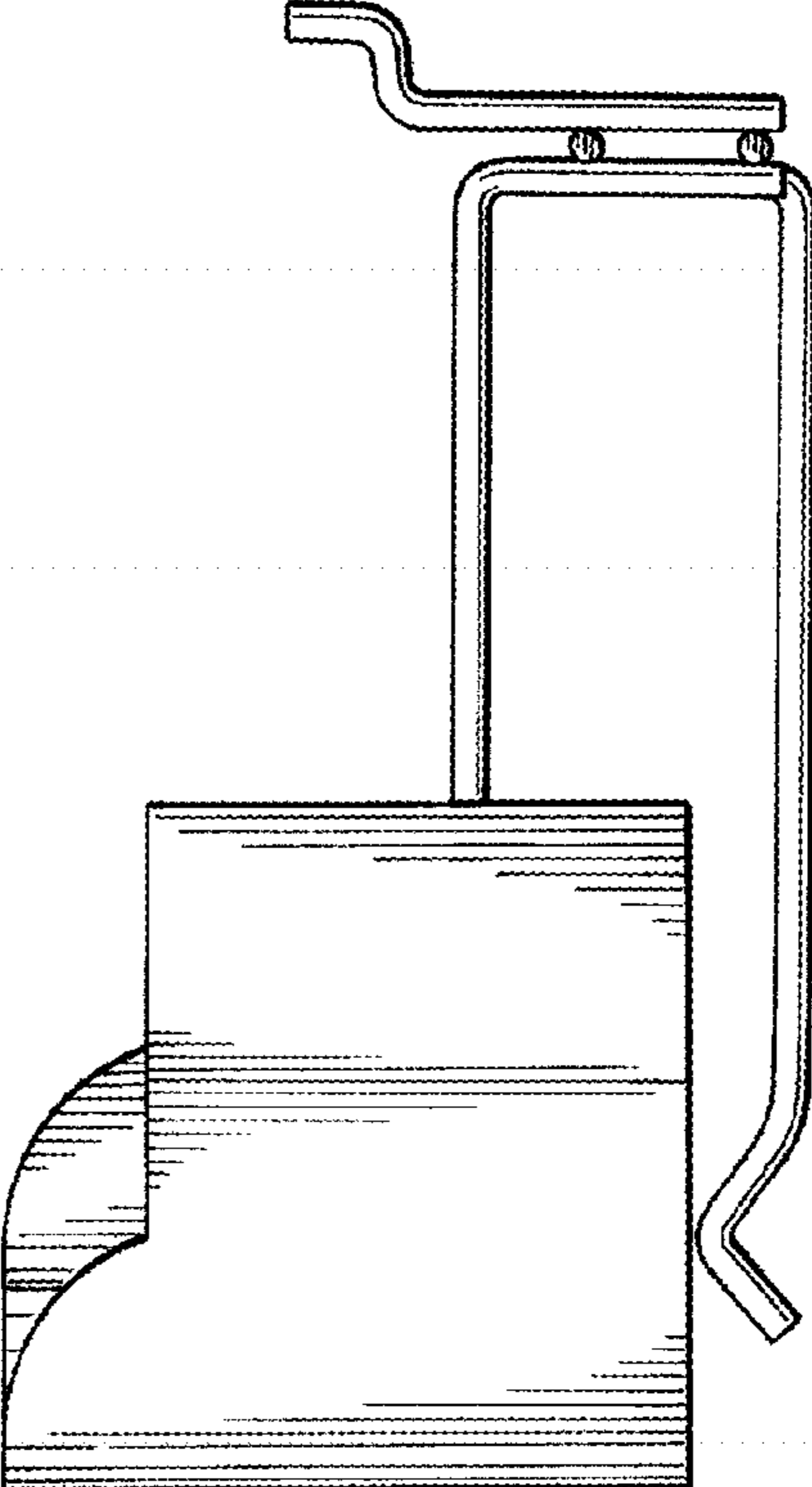


FIG. 10

FIG. 11

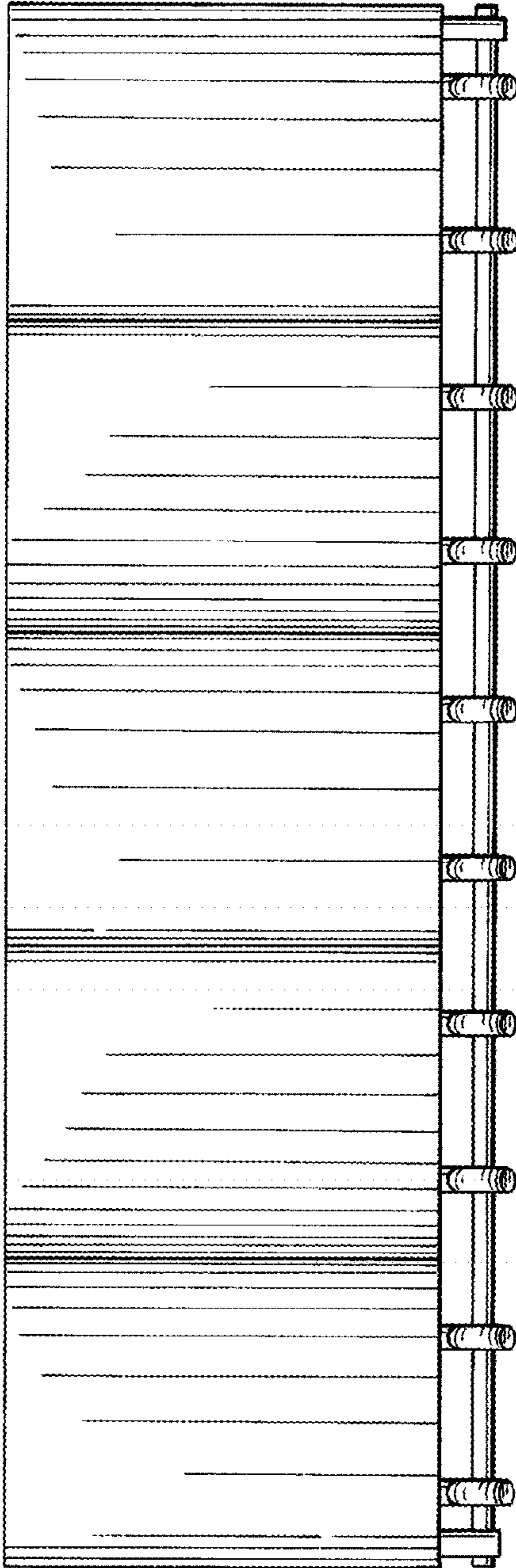


FIG. 12

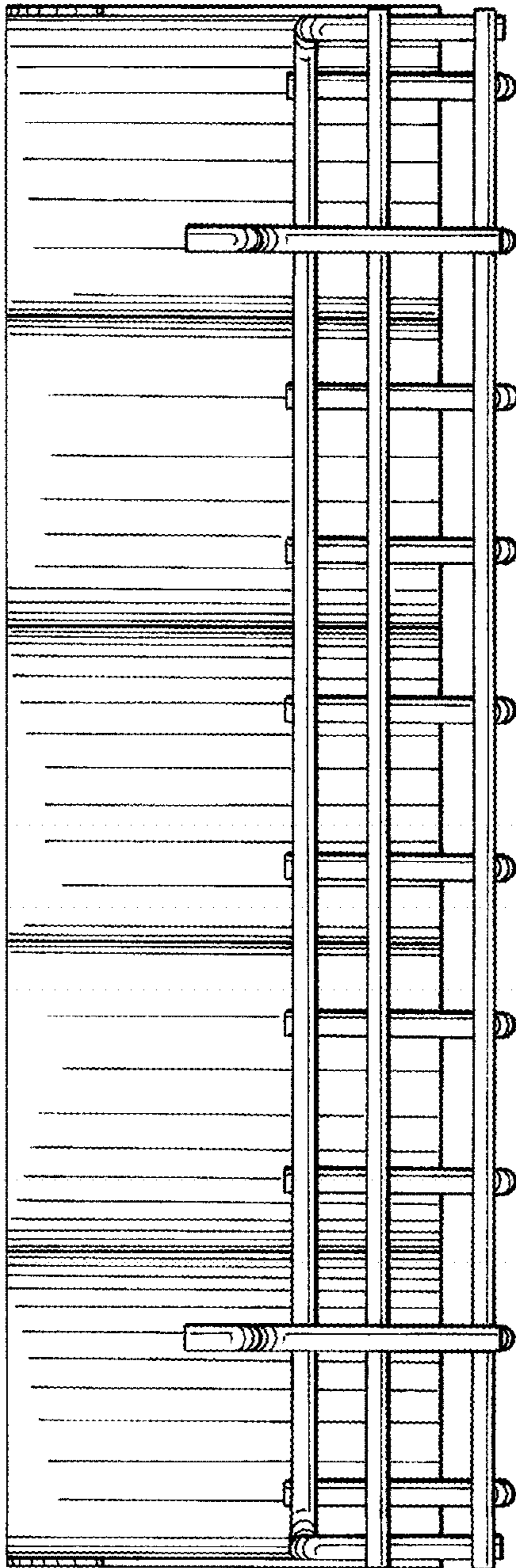


FIG. 13

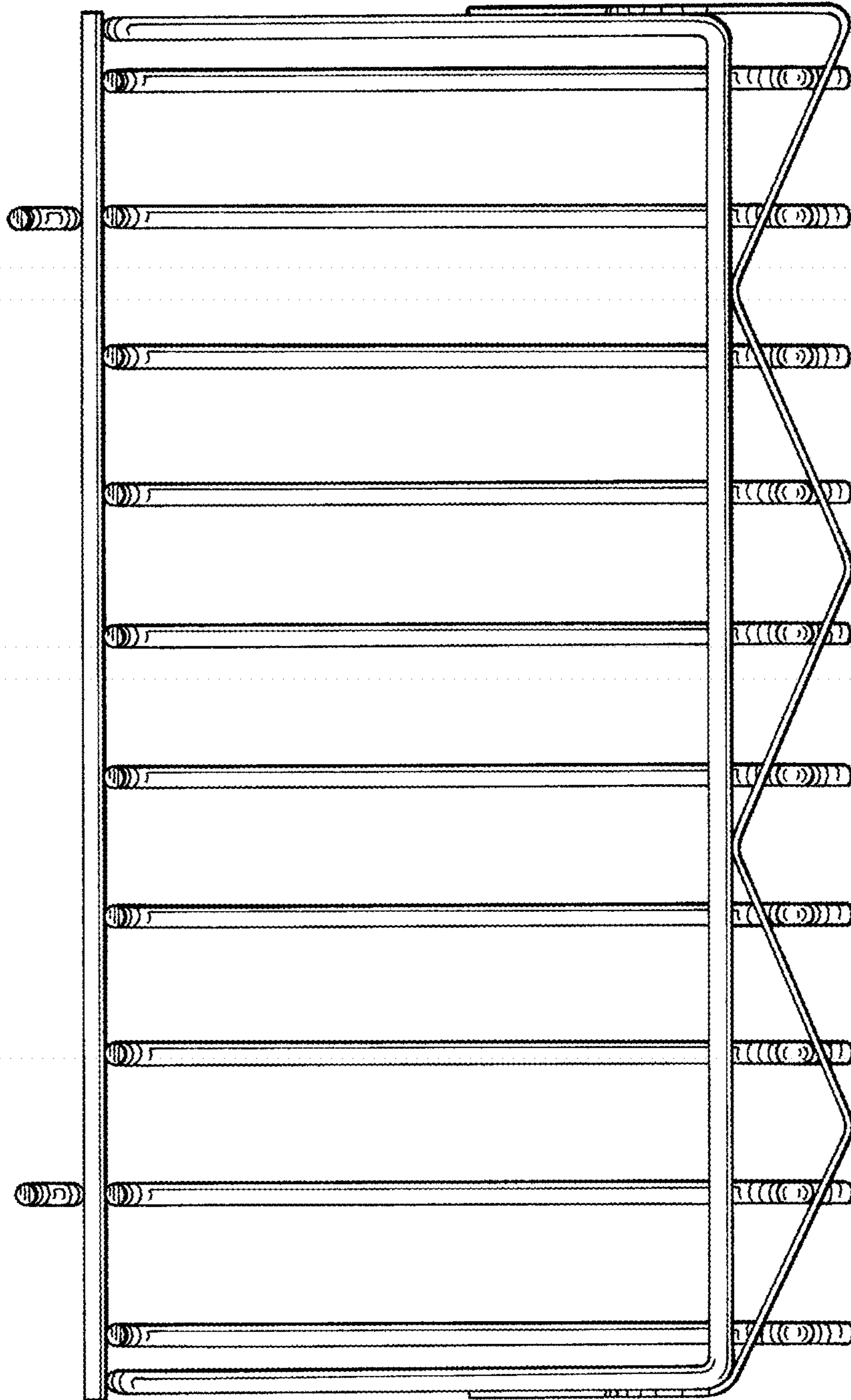
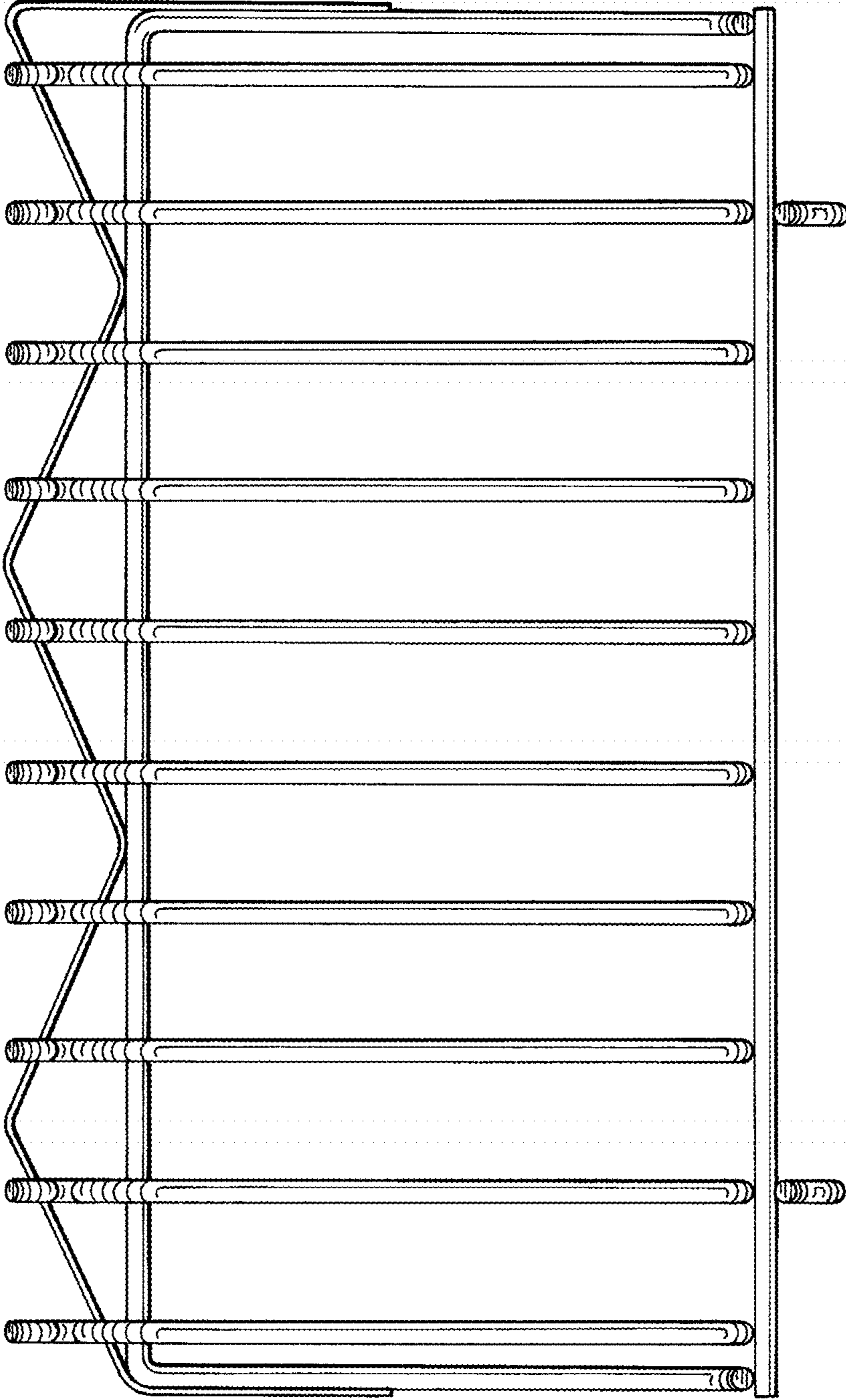


FIG. 14



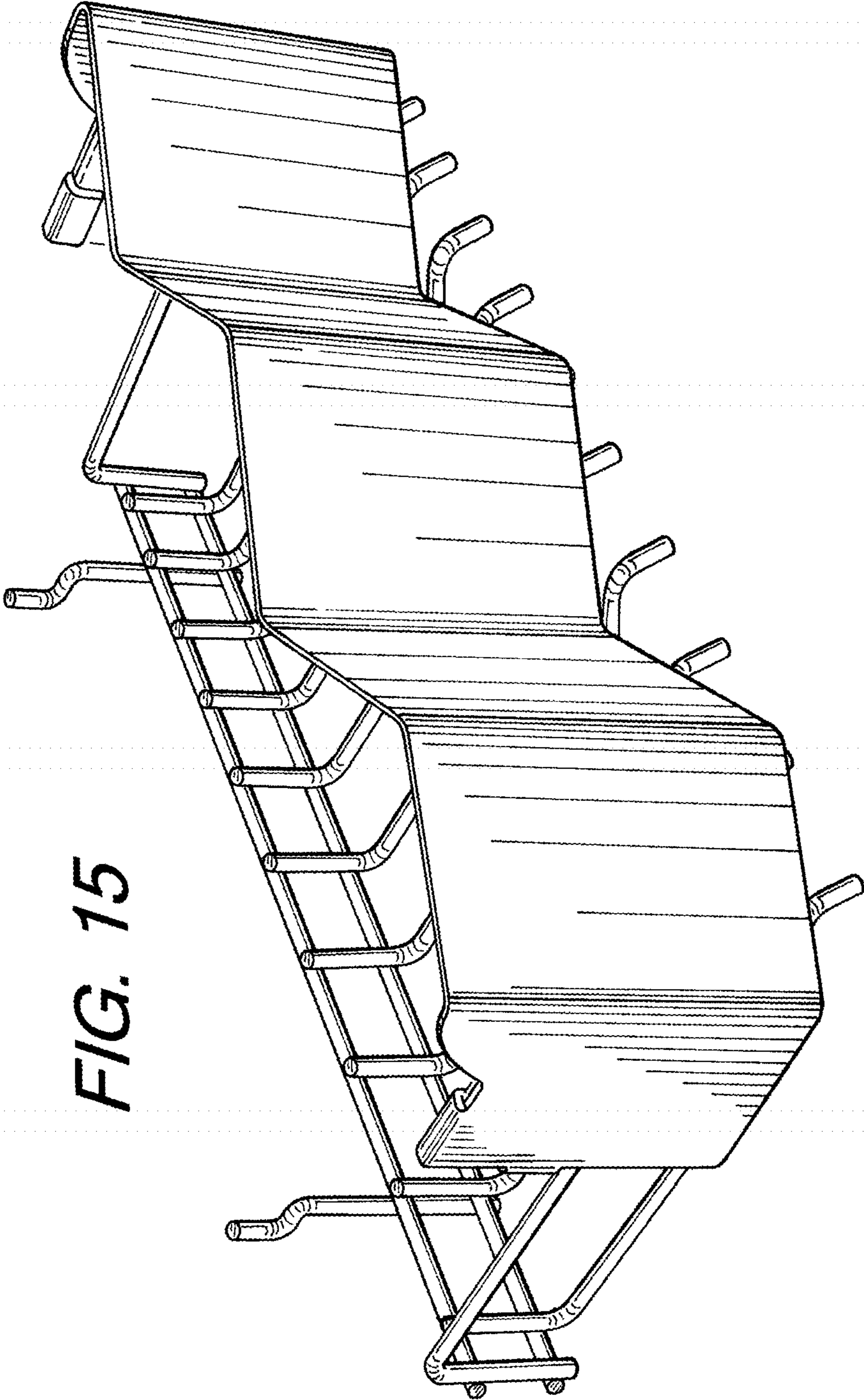


FIG. 15

FIG. 16

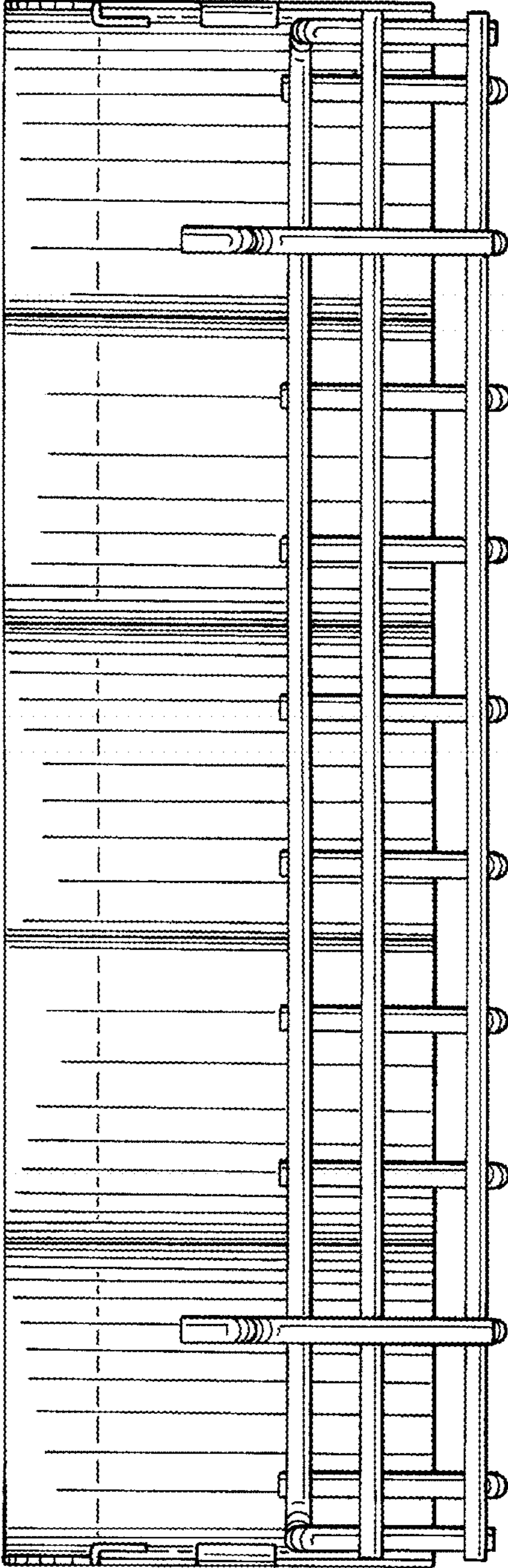


FIG. 17

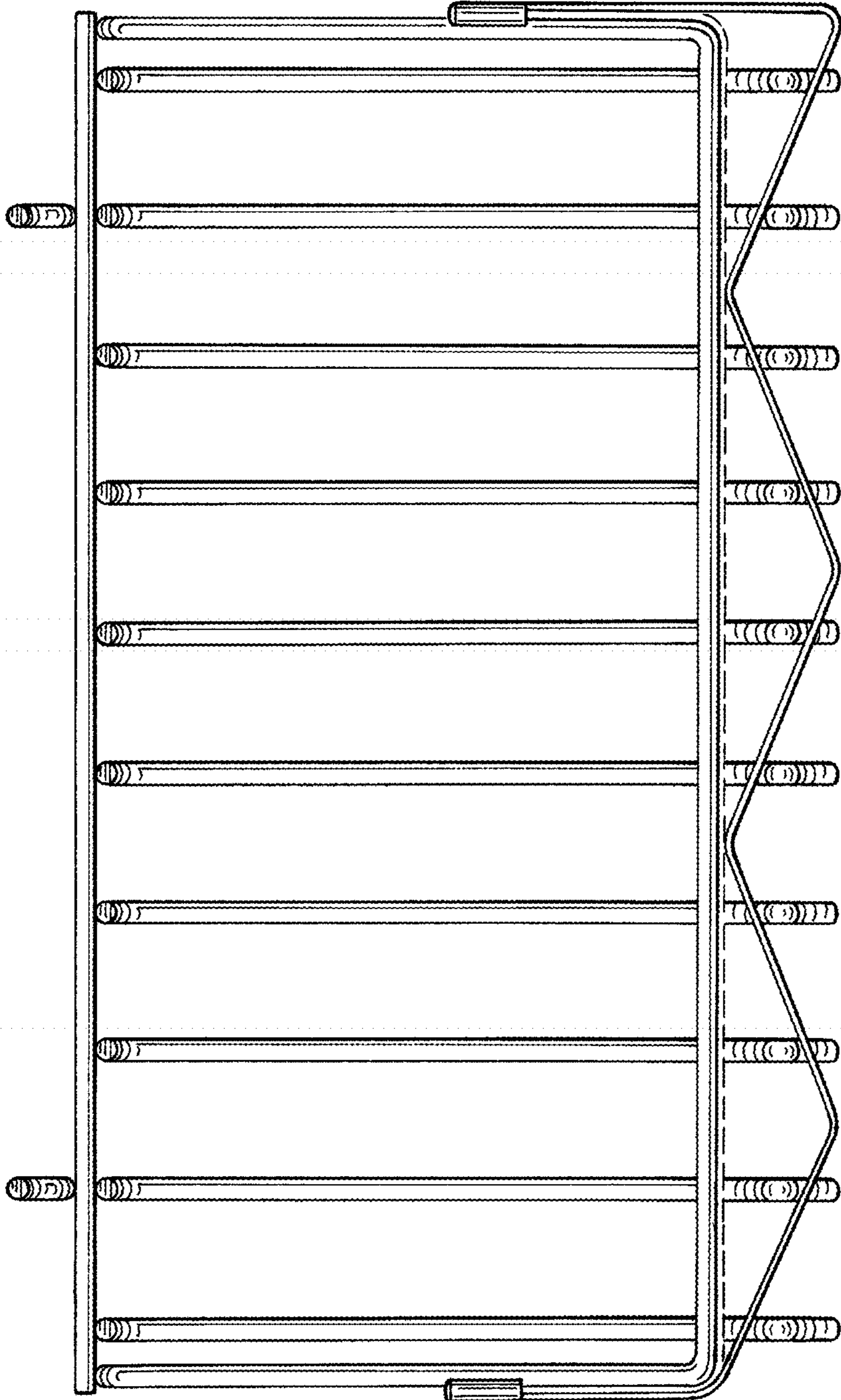


FIG. 18

