



US00D750918S

(12) **United States Design Patent**  
**Tschan**

(10) **Patent No.:** **US D750,918 S**  
(45) **Date of Patent:** **\*\* Mar. 8, 2016**

(54) **DISPENSER FOR PAINT SPRAY GUN CUP COMPONENTS**

(71) Applicant: **SATA GmbH & Co. KG**, Kornwestheim (DE)

(72) Inventor: **Alexander Tschan**, Kornwestheim (DE)

(73) Assignee: **SATA GMBH & CO. KG**, Kornwestheim (DE)

(\*\*) Term: **15 Years**

(21) Appl. No.: **29/530,052**

(22) Filed: **Jun. 12, 2015**

**Related U.S. Application Data**

(62) Division of application No. 29/469,049, filed on Oct. 7, 2013, now Pat. No. Des. 733,453.

(30) **Foreign Application Priority Data**

Apr. 24, 2013 (EM) ..... 002226357-0003

(51) **LOC (10) Cl.** ..... **20-02**

(52) **U.S. Cl.**  
USPC ..... **D6/515**

(58) **Field of Classification Search**  
USPC ..... D6/512-518, 329, 396, 397, 408, 410, D6/449  
CPC ..... B65D 85/672; B65D 83/0805; B65D 83/267; B65D 85/11; B66D 17/442; A47F 7/00; A47F 7/163; A47F 1/085; A47F 7/021; A47G 19/24; A47G 21/12; A47K 10/40; A47K 17/003; A47K 5/05; A47K 10/85

See application file for complete search history.

(56) **References Cited**

U.S. PATENT DOCUMENTS

D245,048	S	*	7/1977	Pool	.....	D6/516
D365,952	S	*	1/1996	Gagnon et al.	.....	D6/515
D414,636	S	*	10/1999	Wiese	.....	D6/515
D435,379	S	*	12/2000	Nguyen	.....	D6/515
D472,730	S	*	4/2003	Sparkowski	.....	D6/515
D541,088	S	*	4/2007	Nesci	.....	D6/515

\* cited by examiner

*Primary Examiner* — Brian N Vinson

(74) *Attorney, Agent, or Firm* — Paul D. Bianco; Fleit Gibbons Gutman Bongini & Bianco PL

(57) **CLAIM**

The ornamental design for a dispenser for paint spray gun cup components, as shown and described.

**DESCRIPTION**

FIG. 1 is a perspective view of a dispenser for paint spray gun cup components according to the present invention.

FIG. 2 is a front view of the dispenser of FIG. 1.

FIG. 3 is a back view of the dispenser of FIG. 1.

FIG. 4 is a left view of the dispenser of FIG. 1.

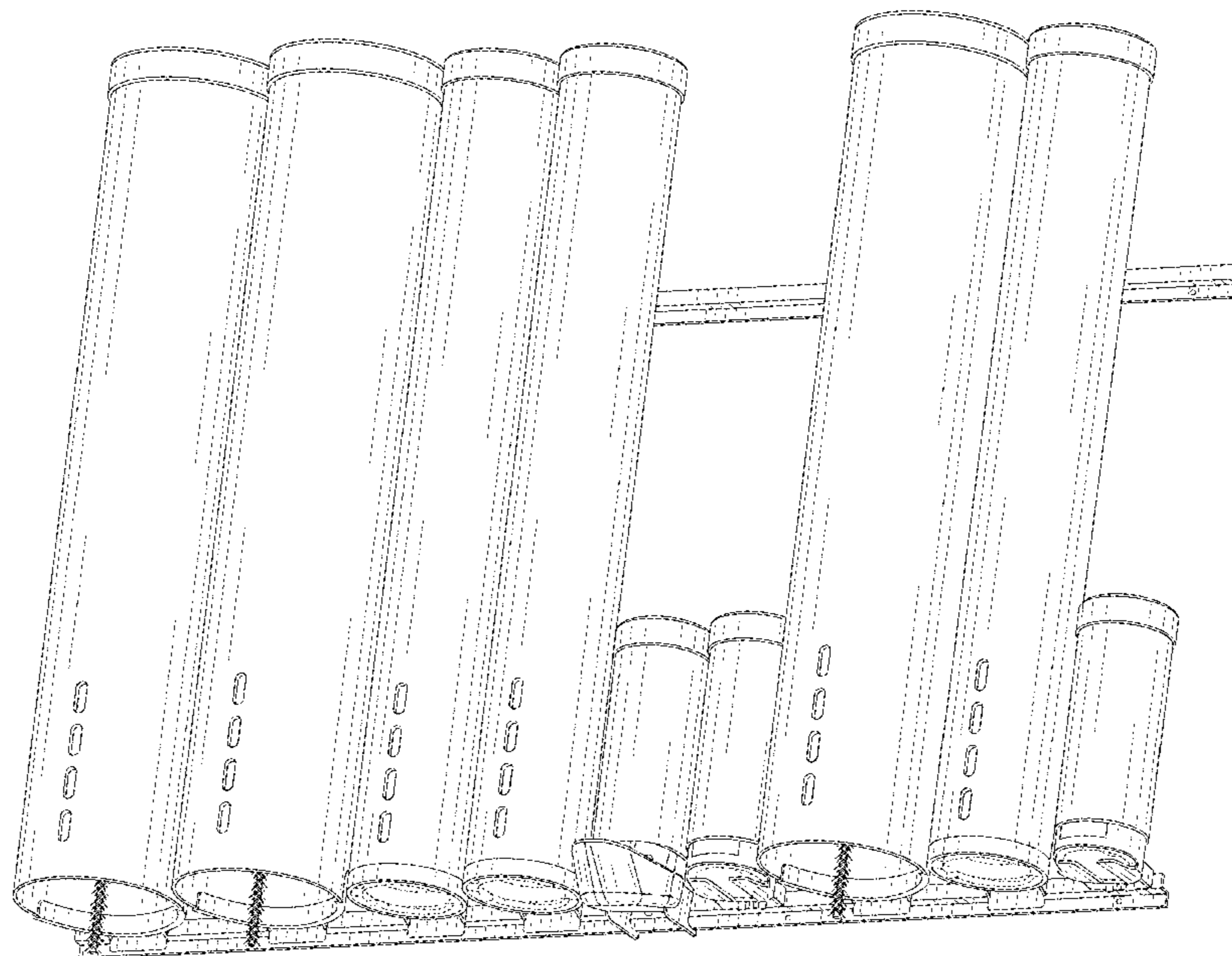
FIG. 5 is a right view of the dispenser of FIG. 1.

FIG. 6 is a top view of the dispenser of FIG. 1; and,

FIG. 7 is a bottom view of the dispenser of FIG. 1, with the broken line disclosure representing portions of the dispenser which form no part of the claimed design.

The dashed broken lines define the bounds of the claimed design and form no part thereof.

**1 Claim, 5 Drawing Sheets**



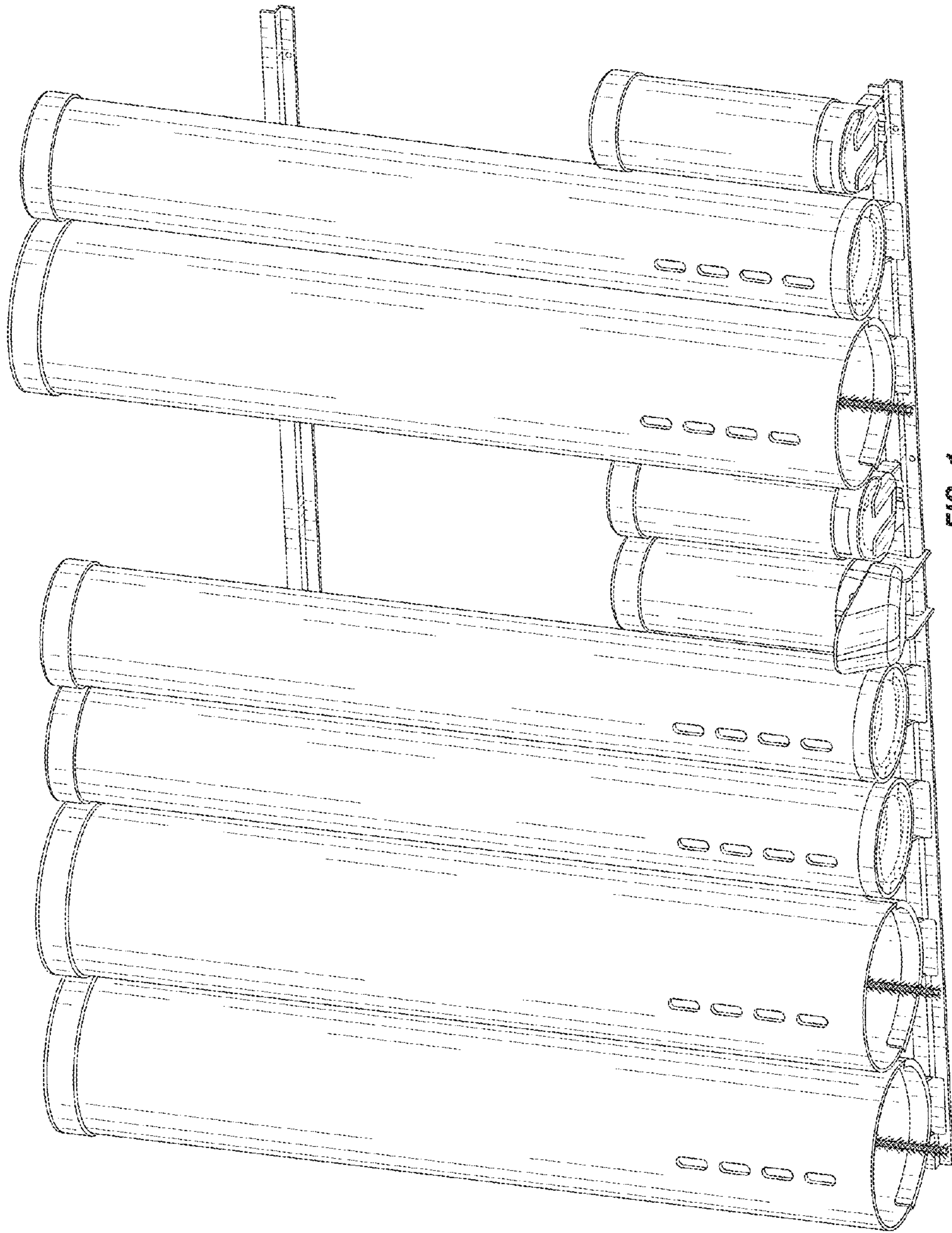


FIG. 1

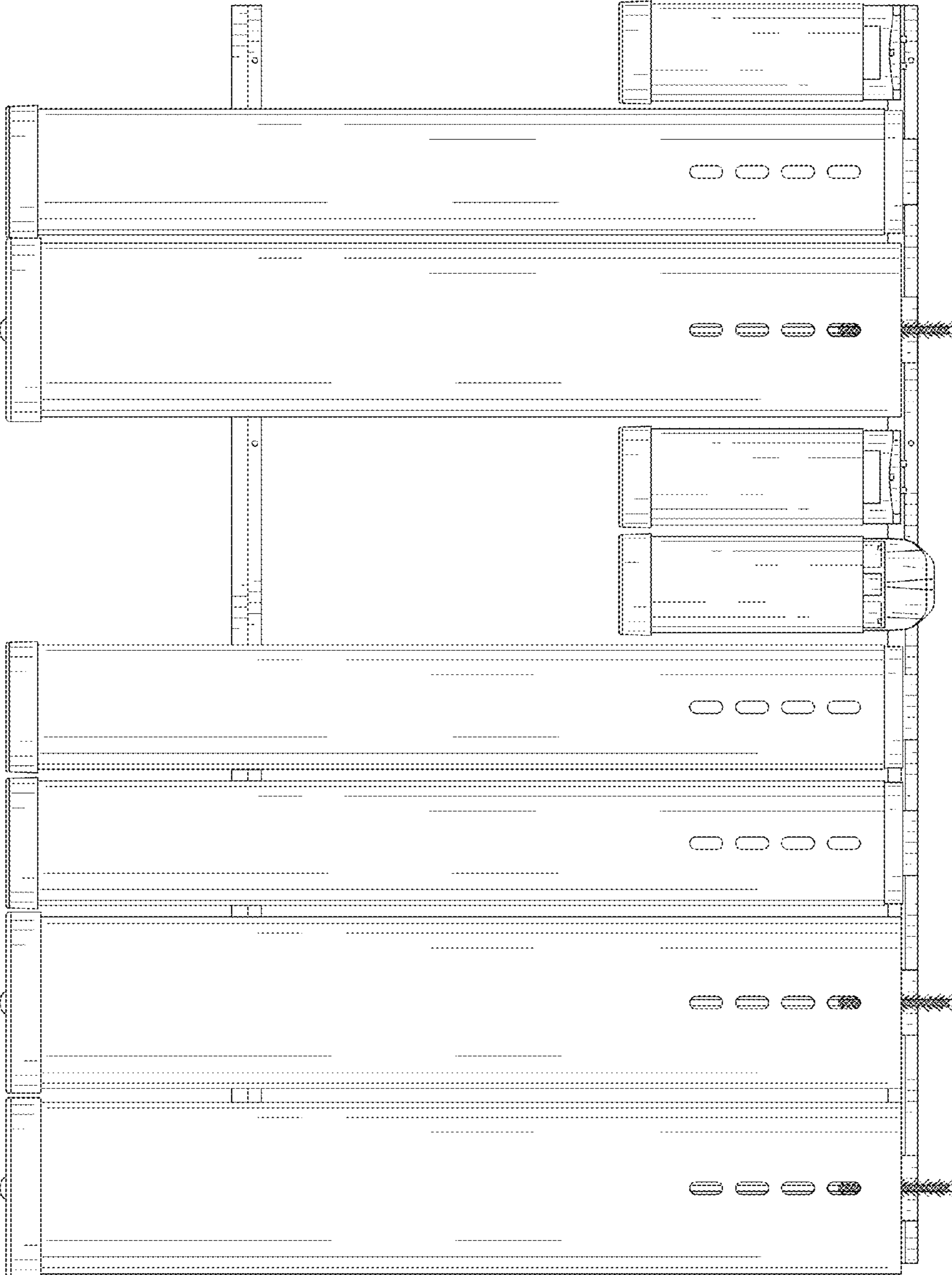


FIG. 2

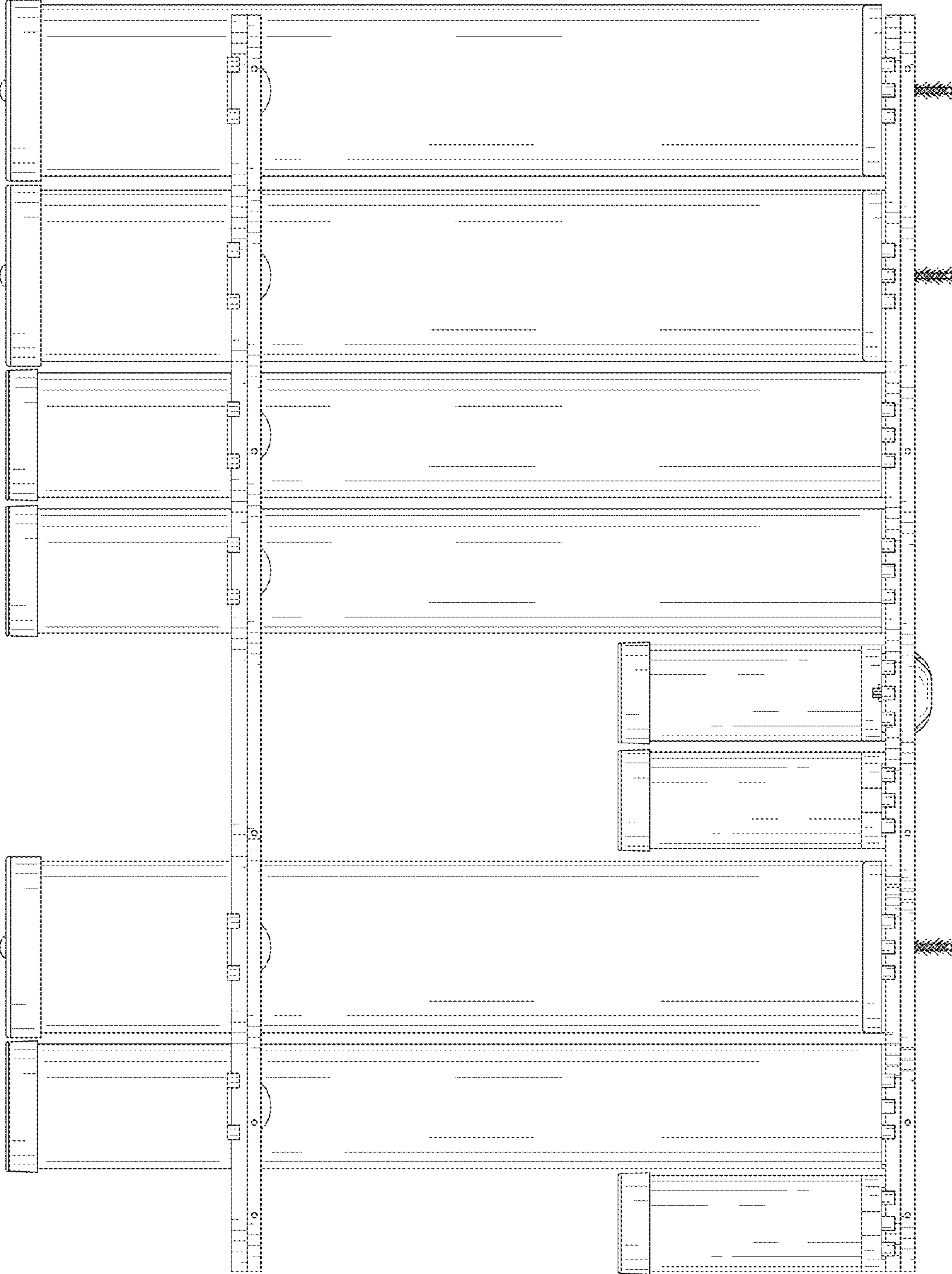
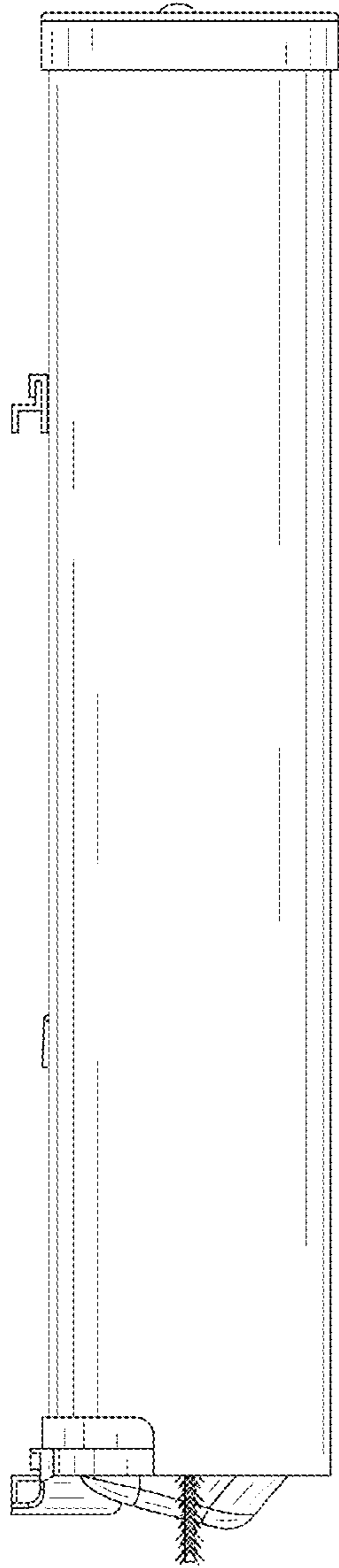
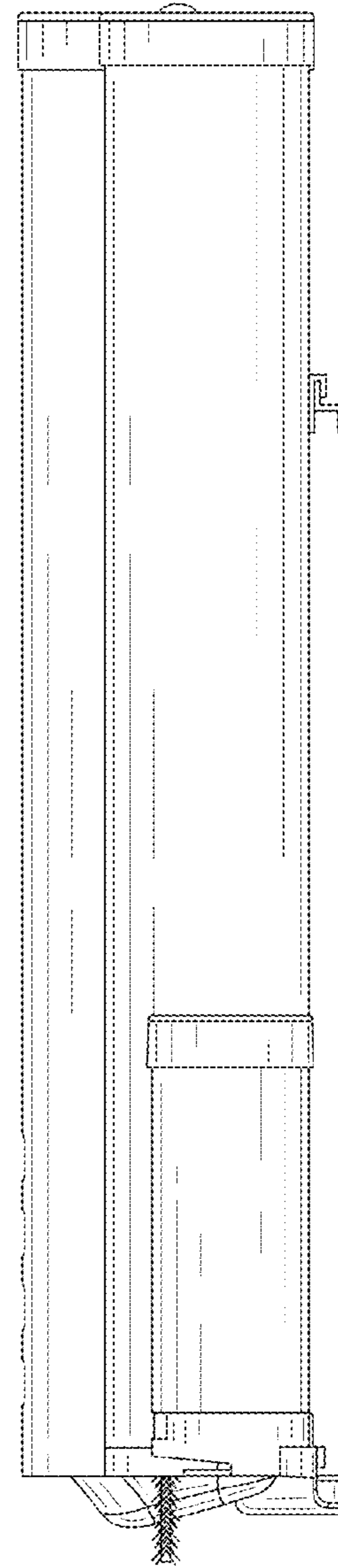


FIG. 3



**FIG. 4**



**FIG. 5**

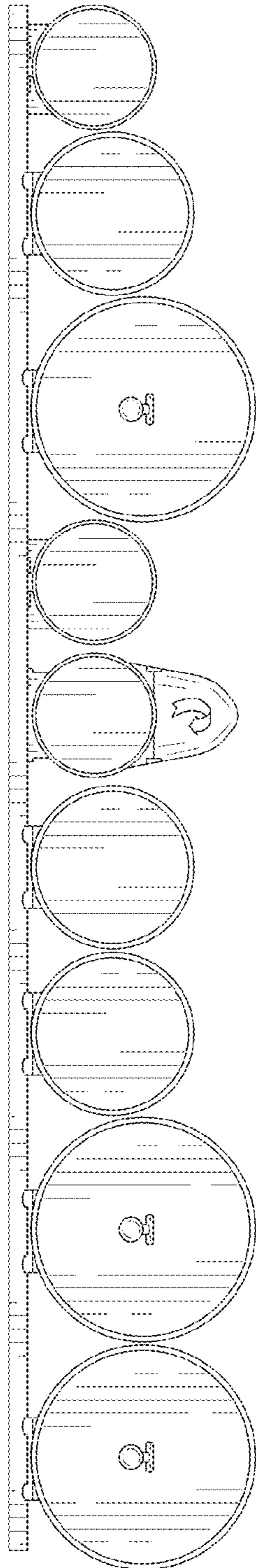


FIG. 6

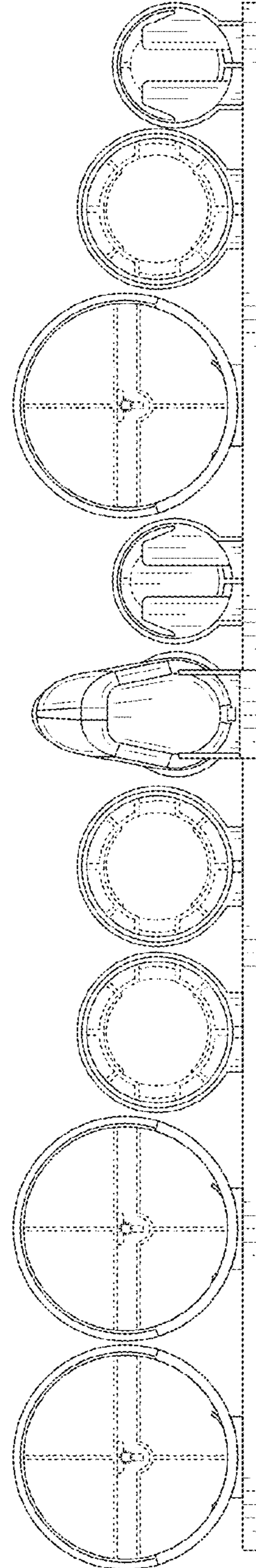


FIG. 7