



US00D750912S

(12) **United States Design Patent**
Zhuo

(10) **Patent No.:** **US D750,912 S**
(45) **Date of Patent:** **** Mar. 8, 2016**

(54) **MESSAGE CHAIR**

FOREIGN PATENT DOCUMENTS

(71) Applicant: **OSIM INTERNATIONAL LTD.**,
Singapore (SG)

JP	D1431072	1/2012
JP	D1431526	1/2012
JP	D1456719	12/2012
JP	D1475387	7/2013
TW	D157269	11/2013

(72) Inventor: **Roy Honglie Zhuo**, Singapore (SG)

(73) Assignee: **OSIM INTERNATIONAL LTD.**,
Singapore (SG)

OTHER PUBLICATIONS

(**) Term: **14 Years**

Taiwan Design Office Action, dated Dec. 26, 2014, TW application No. 103300036, 4 pages.

(21) Appl. No.: **29/495,708**

Primary Examiner — Mimoso De

(22) Filed: **Jul. 3, 2014**

(74) *Attorney, Agent, or Firm* — Baker & McKenzie LLP

(30) **Foreign Application Priority Data**

(57) **CLAIM**

Jan. 3, 2014 (SG) D2014/6/I

The ornamental design for a massage chair, substantially as shown and described.

(51) **LOC (10) Cl.** **06-01**

DESCRIPTION

(52) **U.S. Cl.**

USPC **D6/367**

(58) **Field of Classification Search**

USPC D6/334–336, 361, 367, 371, 373, 379,
D6/716, 716.1, 716.2, 716.3, 716.4

CPC A47C 1/0352; A47C 1/0355; A47C 7/50;
A47C 7/506; A61G 2005/128; A61G 5/12;
A61H 1/003; A61H 2201/1669; A61H
15/0078; A61H 7/001; A61H 23/01

See application file for complete search history.

FIG. 1 illustrates a front perspective view of a design for a massage chair in a first configuration;
FIG. 2 illustrates a front perspective view of a design for a massage chair in a second configuration;
FIG. 3 illustrates a front perspective view of a design for a massage chair in a third configuration;
FIG. 4 illustrates a back perspective view of a design for a massage chair;
FIG. 5 illustrates a front view of a design for a massage chair according to the second configuration;
FIG. 6 illustrates a back view of a design for a massage chair according to any of the foregoing configurations;
FIG. 7 illustrates a left side view of a design for a massage chair according to the second configuration;
FIG. 8 illustrates a right side view of a design for a massage chair according to the second configuration;
FIG. 9 illustrates a top view of a design for a massage chair according to the second configuration; and,
FIG. 10 illustrates a bottom view of a design for a massage chair according to the second configuration.

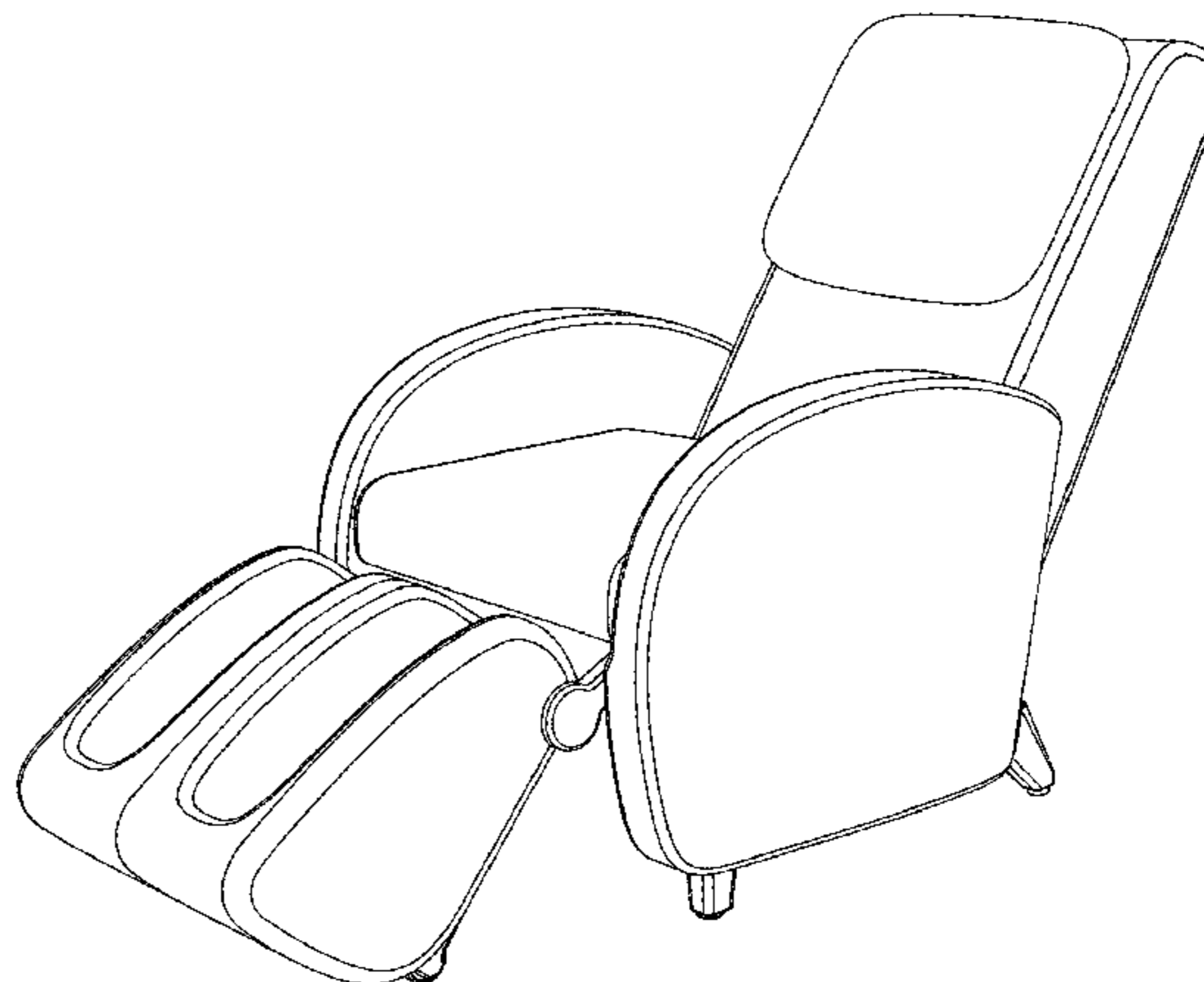
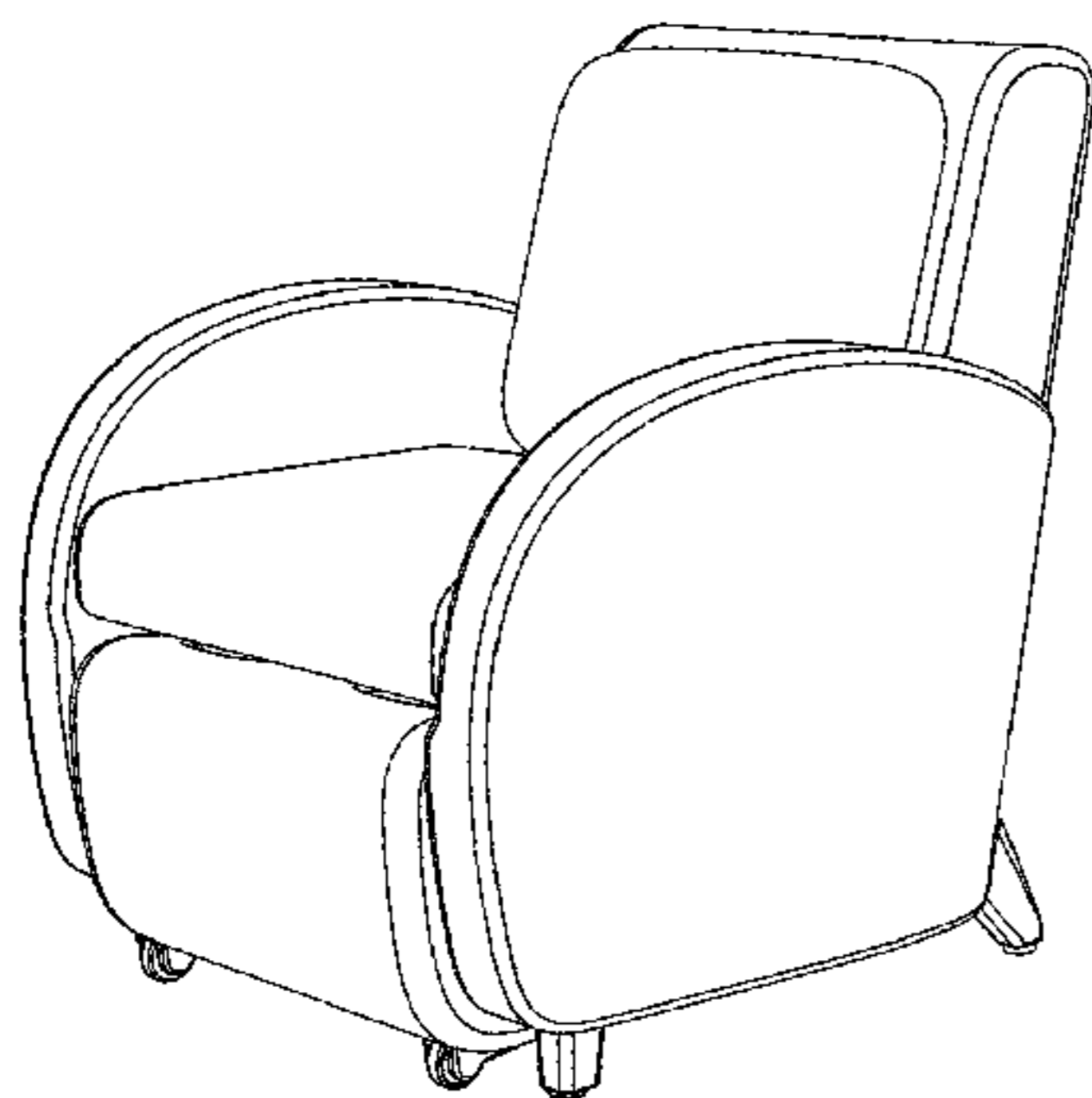
(56) **References Cited**

U.S. PATENT DOCUMENTS

D372,801 S *	8/1996	Fujimoto	D6/367
D531,424 S *	11/2006	Kusachi	D6/367
D536,891 S *	2/2007	Miyake	D6/367
D538,056 S *	3/2007	Lifeng	D6/367
D541,064 S *	4/2007	Miller	D6/367
D544,224 S *	6/2007	Zhuo	D6/367
D571,110 S *	6/2008	Potter	D6/335
D580,671 S *	11/2008	Aoki	D6/367
D583,582 S *	12/2008	Potter	D6/367

(Continued)

1 Claim, 10 Drawing Sheets



US D750,912 S

Page 2

(56)

References Cited

U.S. PATENT DOCUMENTS

D586,138 S *	2/2009	Potter	D6/367	
D609,932 S *	2/2010	Lee	D6/367	
D619,384 S *	7/2010	Lee	D6/367	* cited by examiner
D699,960 S *	2/2014	Potter	D6/367	
D740,581 S *	10/2015	Le	D6/367	
2005/0088028 A1 *	4/2005	Wan et al.	A47C 1/0355	

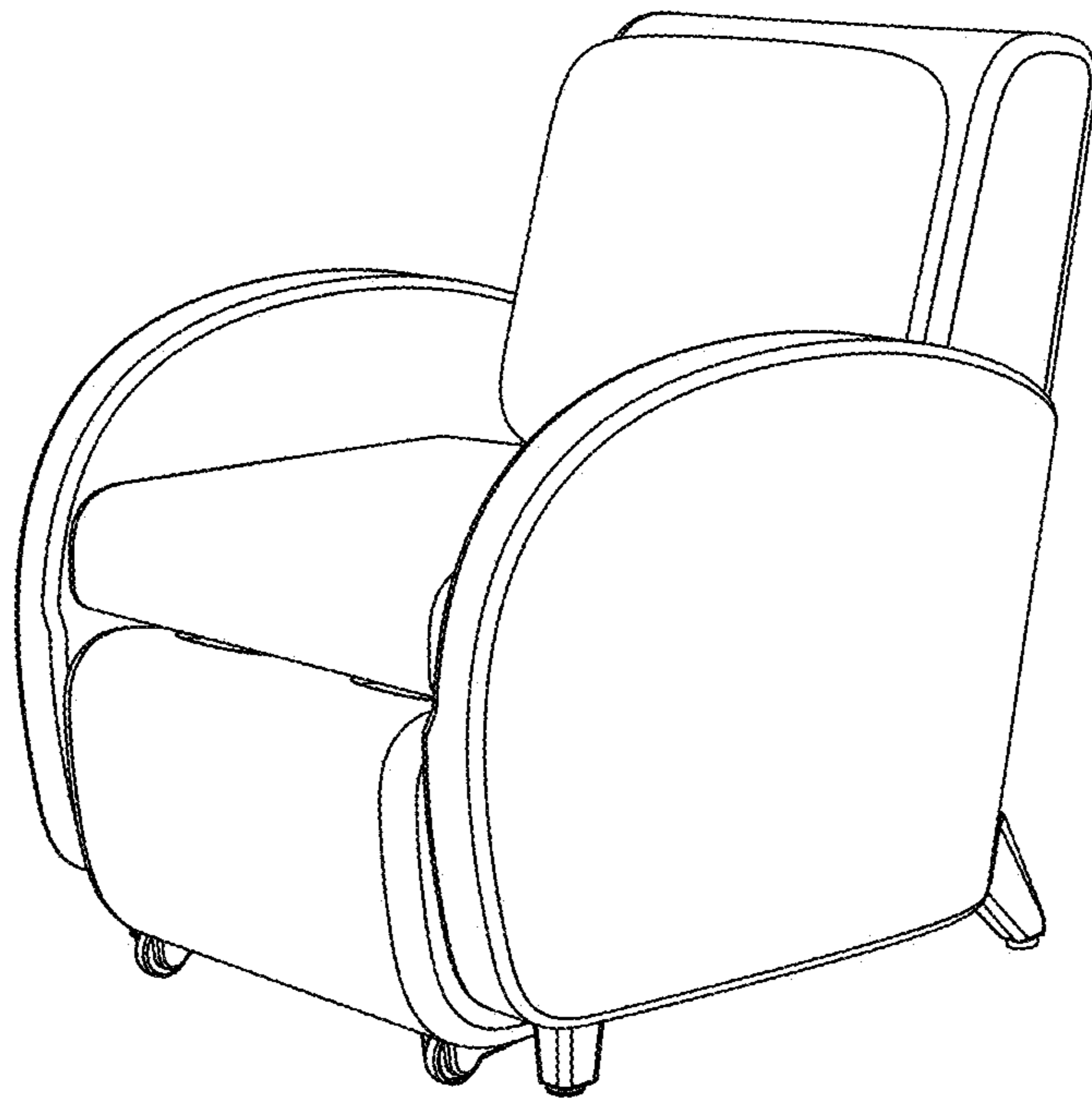


Fig. 1

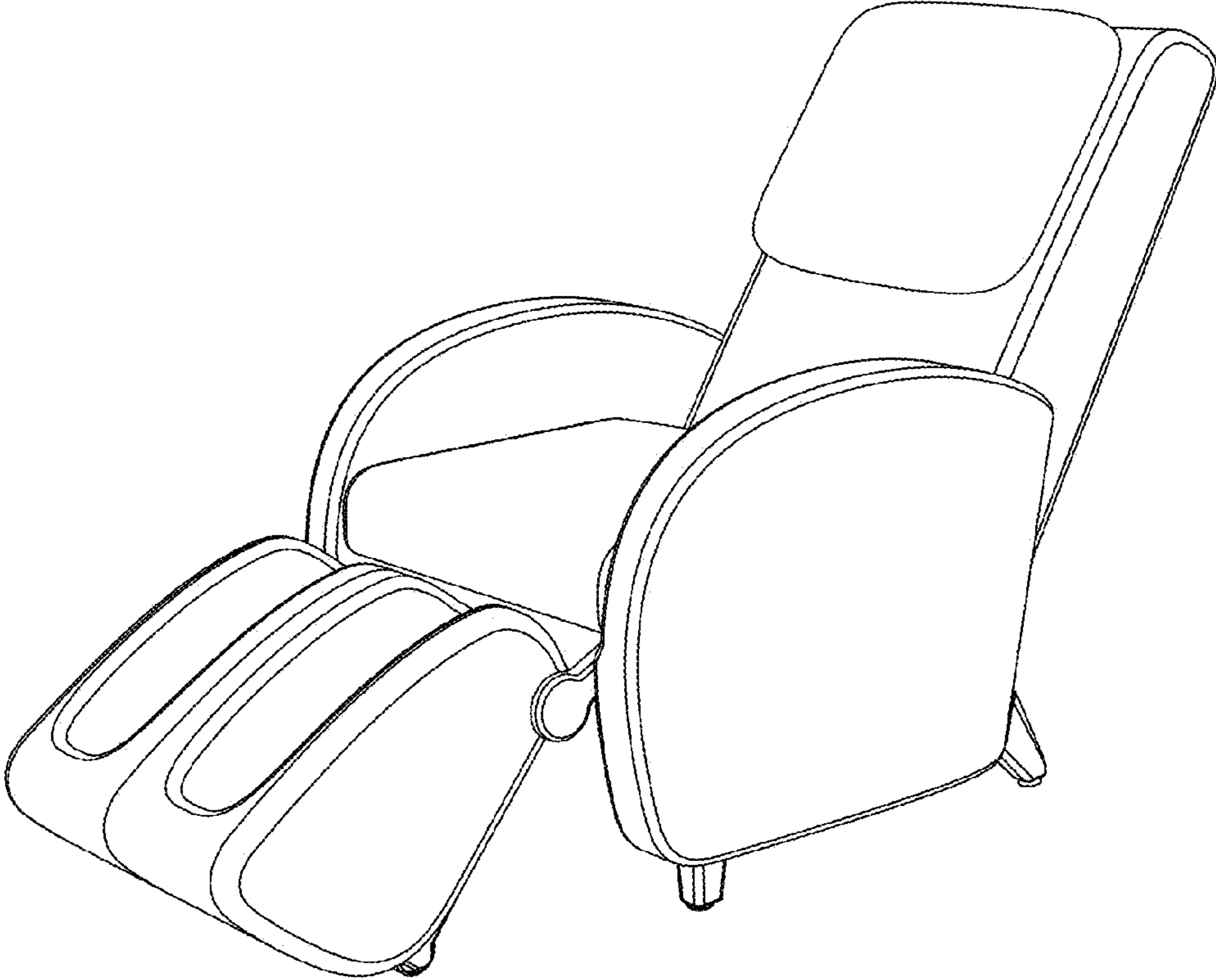


Fig. 2

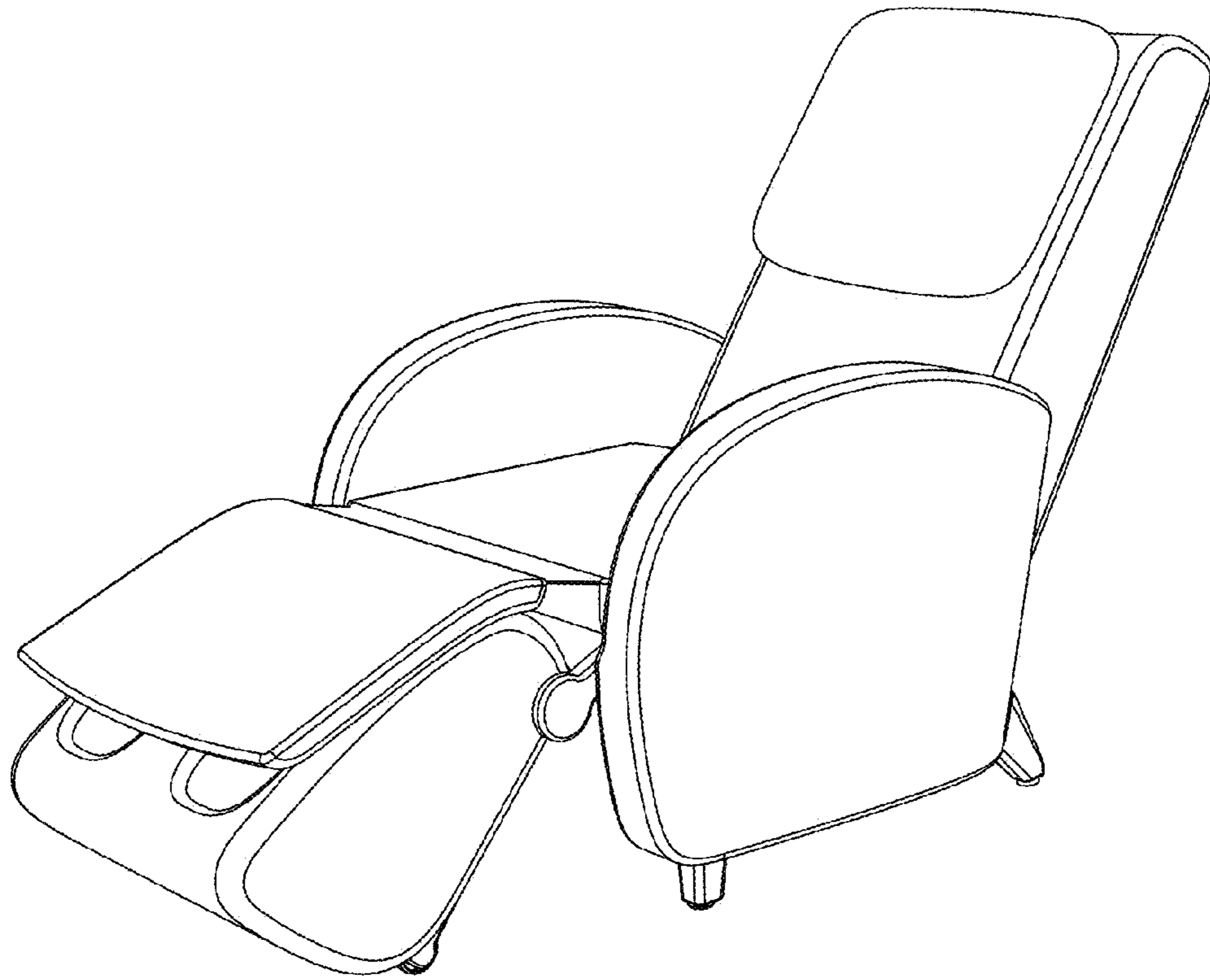


Fig. 3

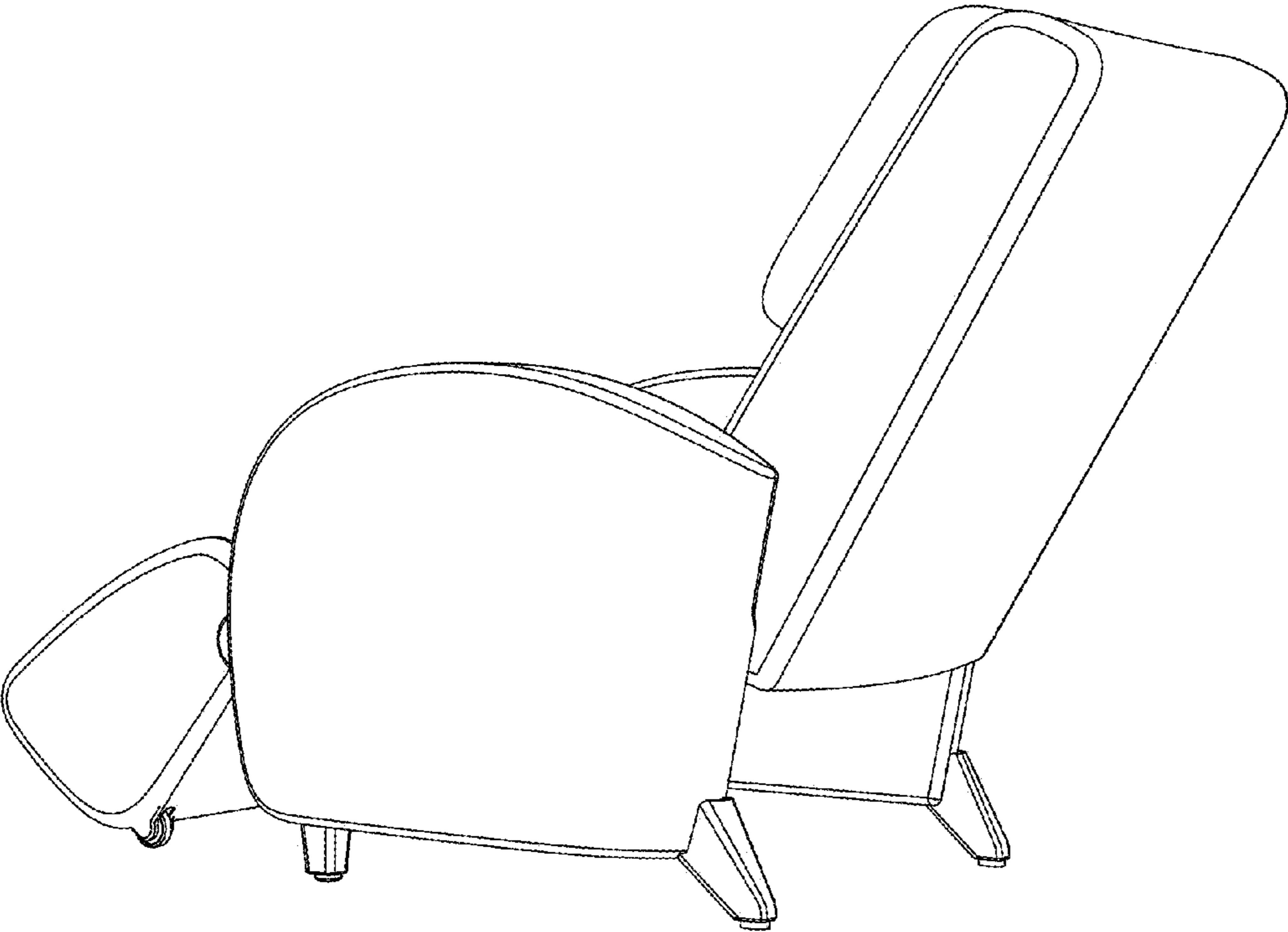


Fig. 4

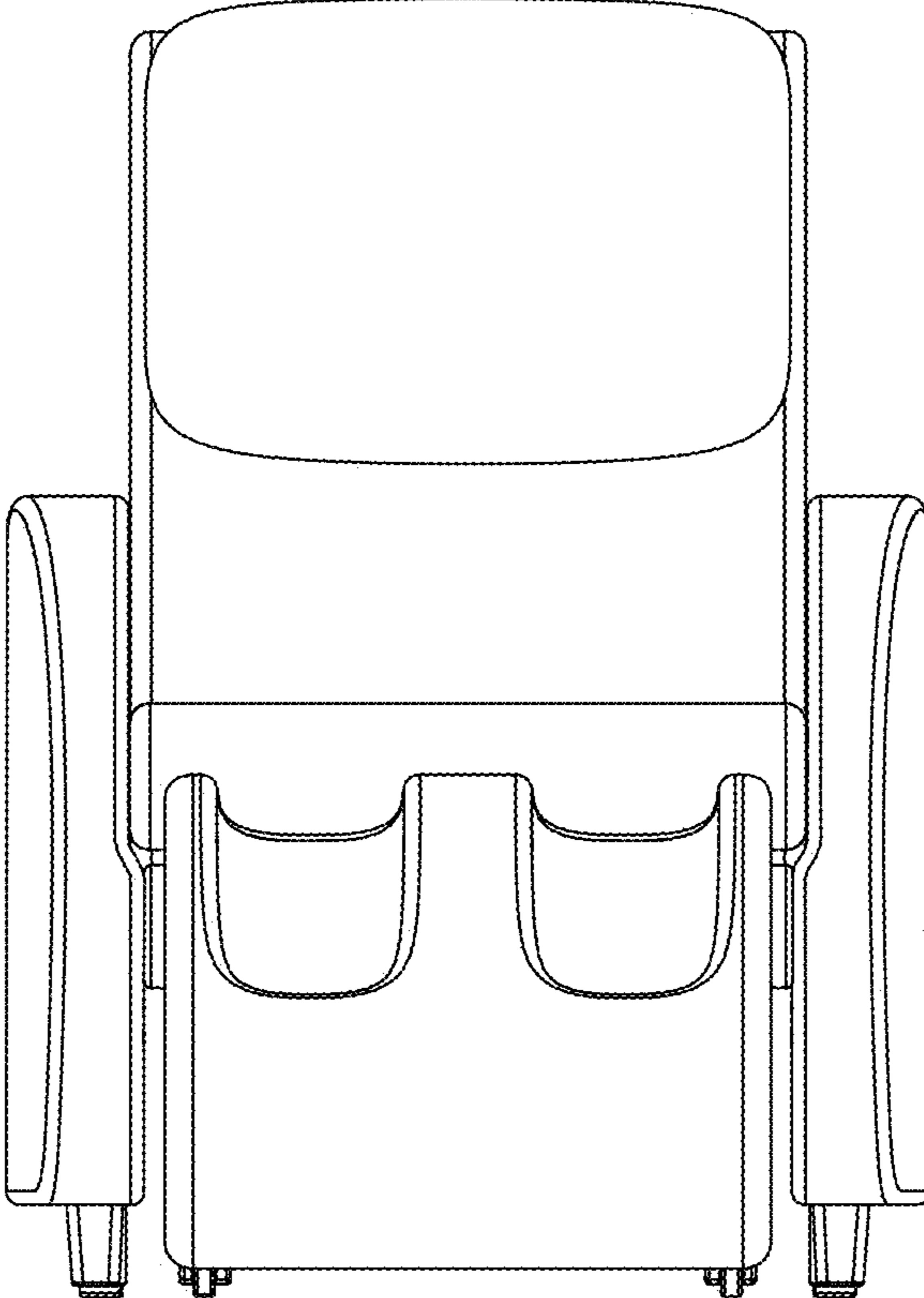


Fig. 5

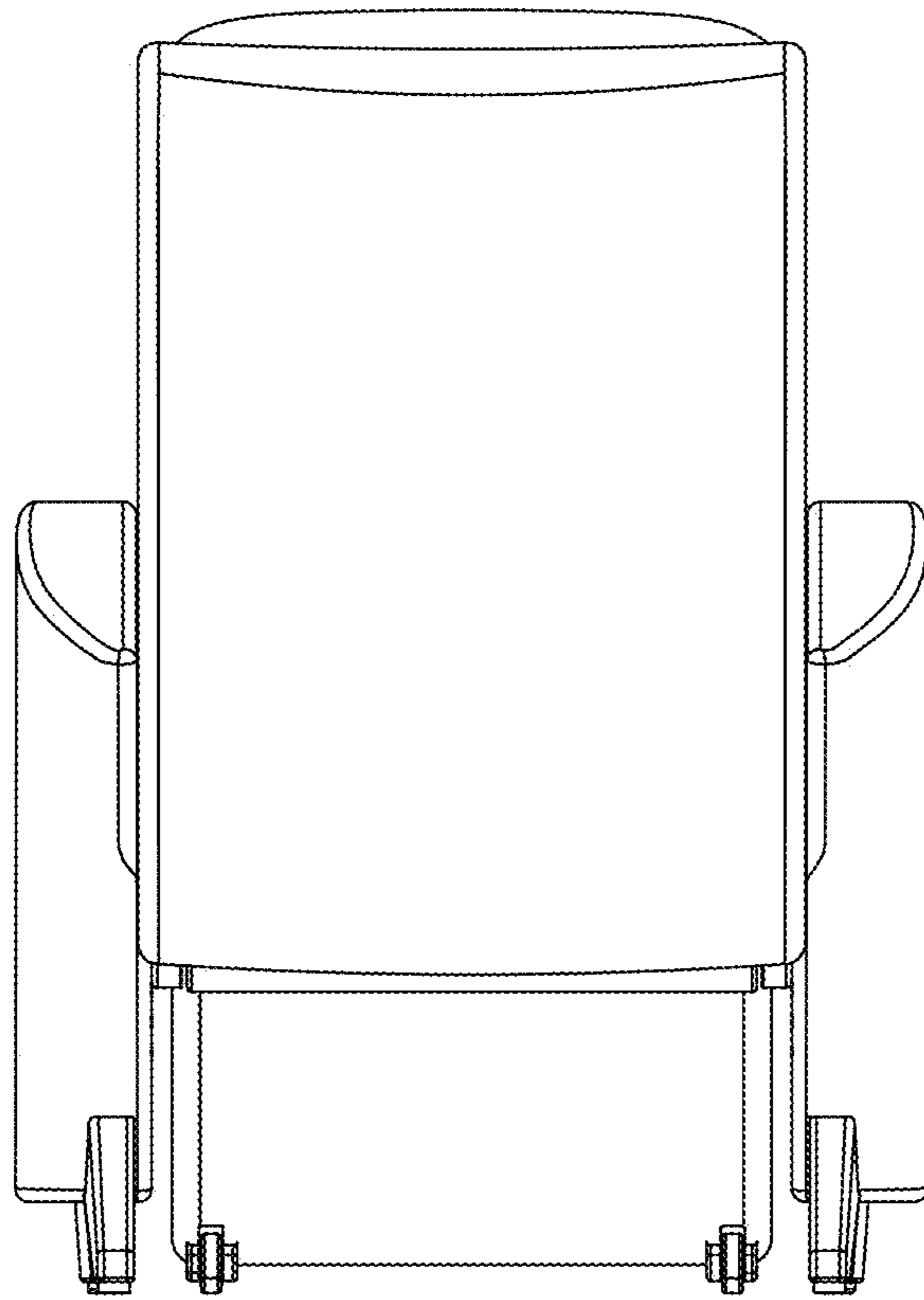


Fig. 6

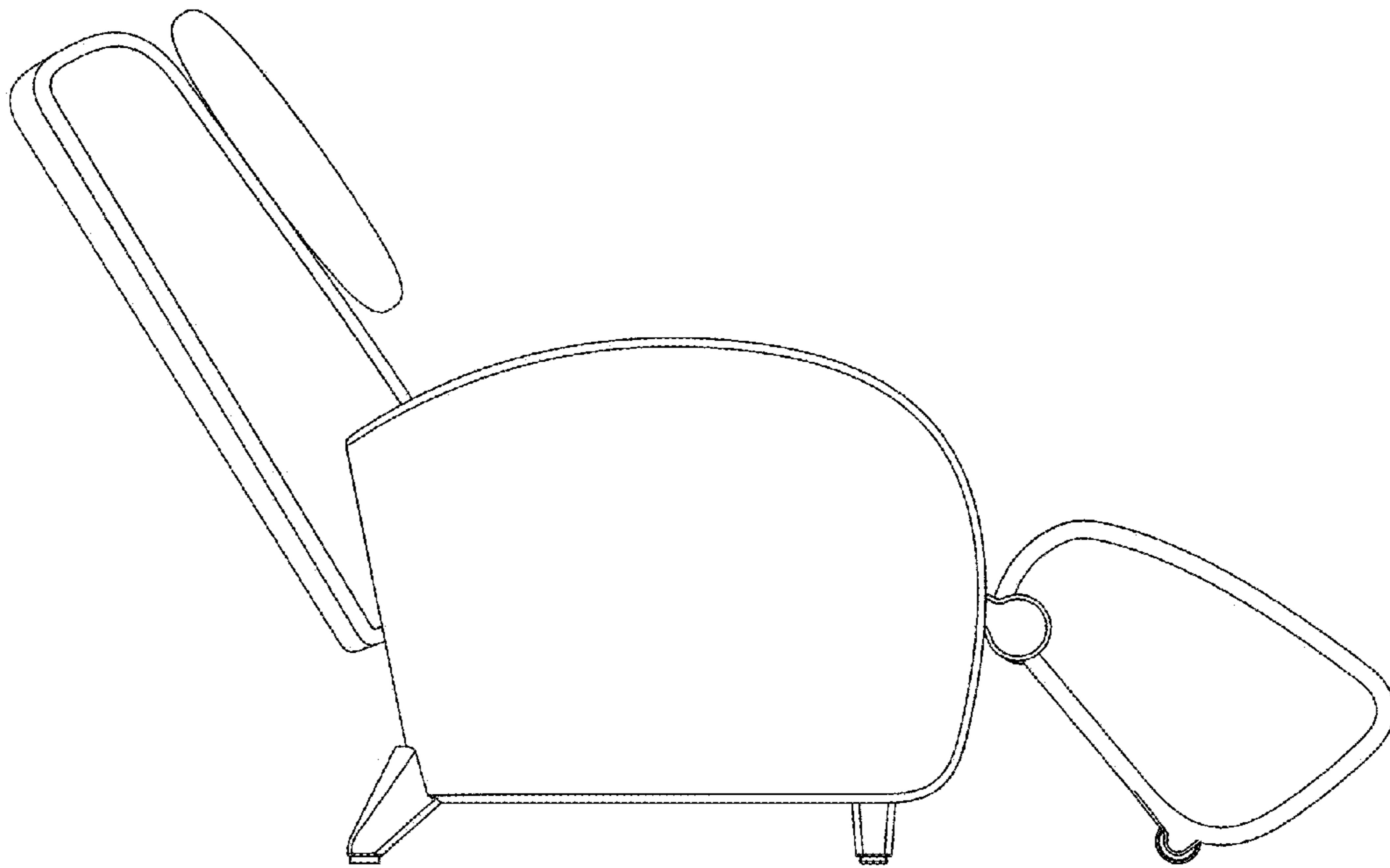


Fig. 7

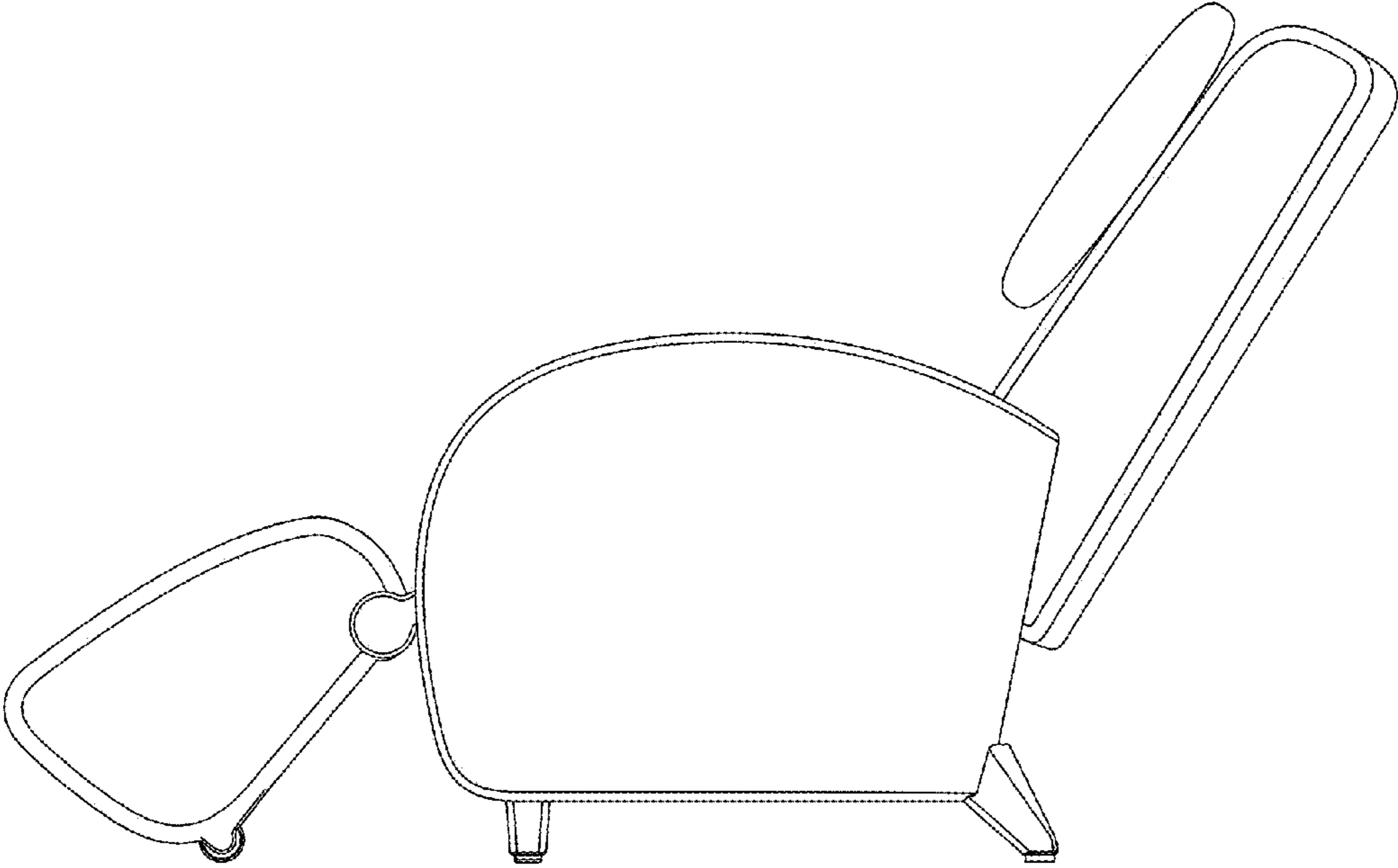


Fig. 8

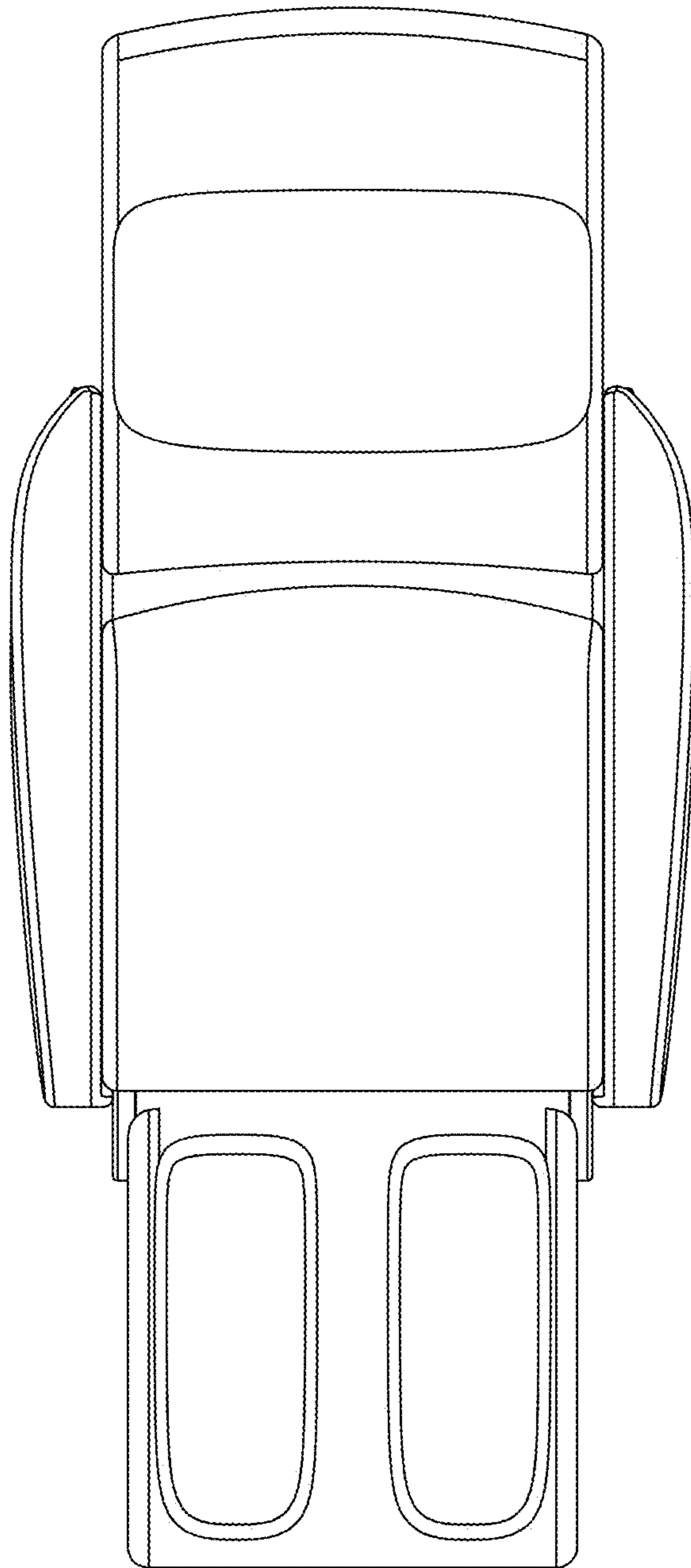


Fig. 9

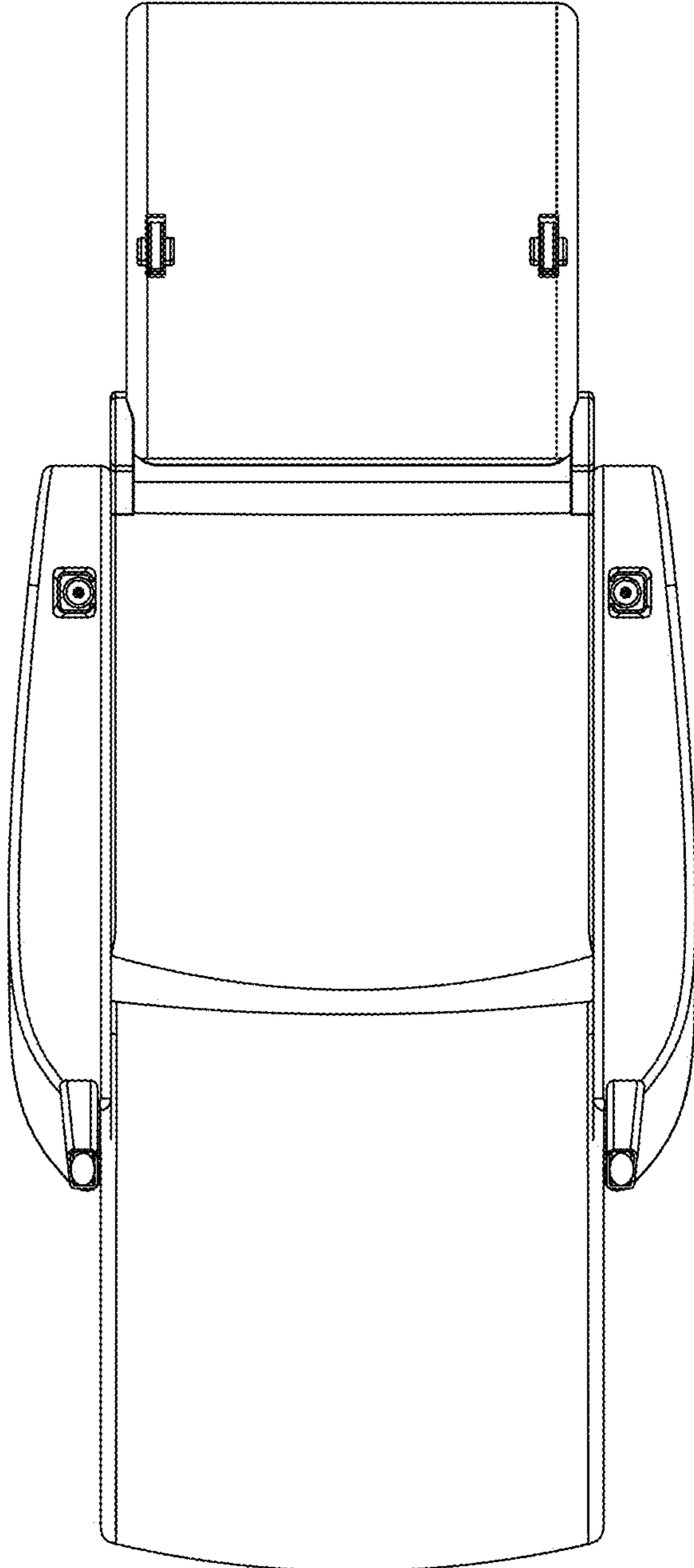


Fig. 10