



US00D750911S

(12) **United States Design Patent**
Su

(10) **Patent No.:** **US D750,911 S**
(45) **Date of Patent:** **** Mar. 8, 2016**

(54) **OFFICE CHAIR**

(71) Applicant: **Chih-Cheng Su**, Dongguan (CN)
(72) Inventor: **Chih-Cheng Su**, Dongguan (CN)
(73) Assignee: **DONGGUAN KENTEC OFFICE SEATING CO., LTD.**, Dongguan (CN)

(**) Term: **14 Years**

(21) Appl. No.: **29/502,135**

(22) Filed: **Sep. 12, 2014**

(51) **LOC (10) Cl.** **06-01**

(52) **U.S. Cl.**
USPC **D6/366**

(58) **Field of Classification Search**
USPC D6/334-336, 364, 365, 366, 374, 379,
D6/380, 716, 716.1, 716.2, 716.4
CPC A47C 7/38; A47C 7/022; A47C 7/40;
A47C 7/18; A47C 7/004; A47C 4/028;
A47C 7/54; B60N 2/66
See application file for complete search history.

(56) **References Cited**

U.S. PATENT DOCUMENTS

D543,398 S * 5/2007 Su D6/716.4
D600,477 S * 9/2009 Su D6/716.4

D604,071 S * 11/2009 Su D6/716.4
D650,617 S * 12/2011 Chen D6/716
D653,044 S * 1/2012 Schaack D6/366
D661,136 S * 6/2012 Su D6/716.4
D675,456 S * 2/2013 Sexton D6/366
D697,330 S * 1/2014 Chen D6/366
D698,591 S * 2/2014 Koo D6/716.4
D705,560 S * 5/2014 Sato D6/366
D724,367 S * 3/2015 Sander D6/716
D733,445 S * 7/2015 Izawa D6/366
D733,446 S * 7/2015 Izawa D6/366

* cited by examiner

Primary Examiner — Mimoso De

(57) **CLAIM**

The ornamental design for an office chair, as shown.

DESCRIPTION

FIG. 1 is a perspective view of an office chair showing my new design;
FIG. 2 is a front elevational view thereof;
FIG. 3 is a rear elevational view thereof;
FIG. 4 is a left side elevational view thereof;
FIG. 5 is a right side elevational view thereof;
FIG. 6 is a top plan view thereof;
FIG. 7 is a bottom plan view thereof; and,
FIG. 8 is another perspective view thereof.

1 Claim, 8 Drawing Sheets

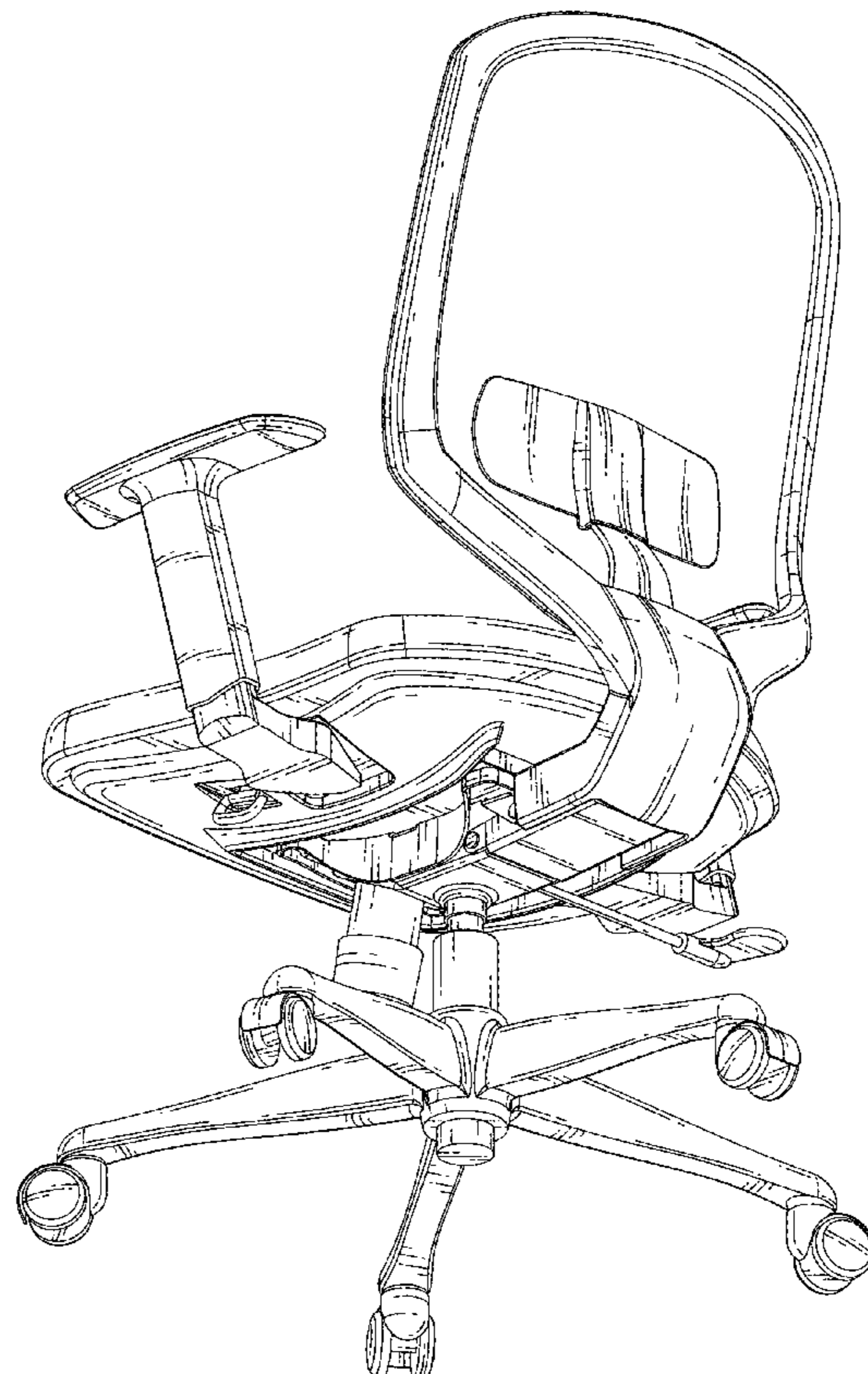




FIG. 1

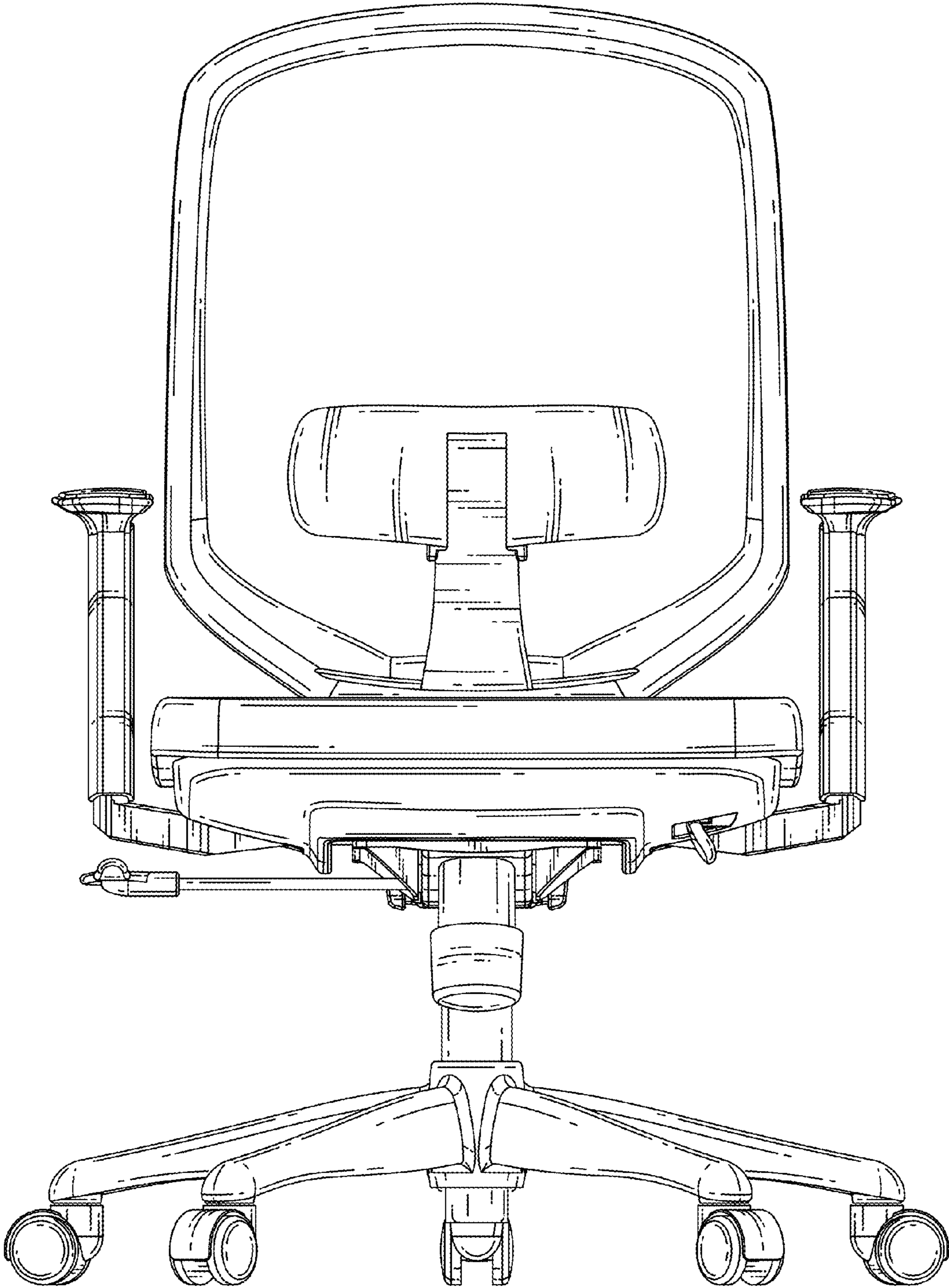


FIG. 2

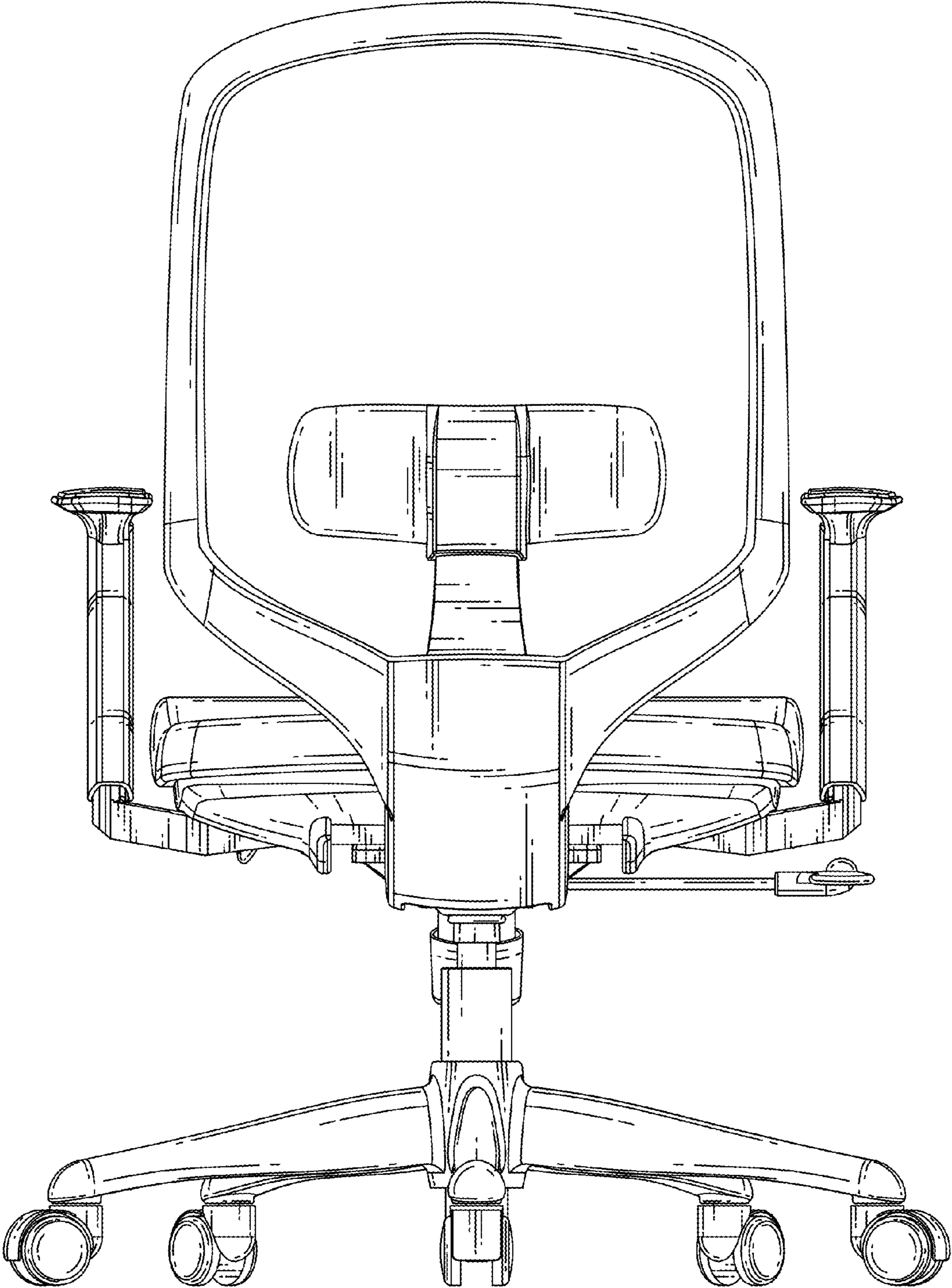


FIG. 3

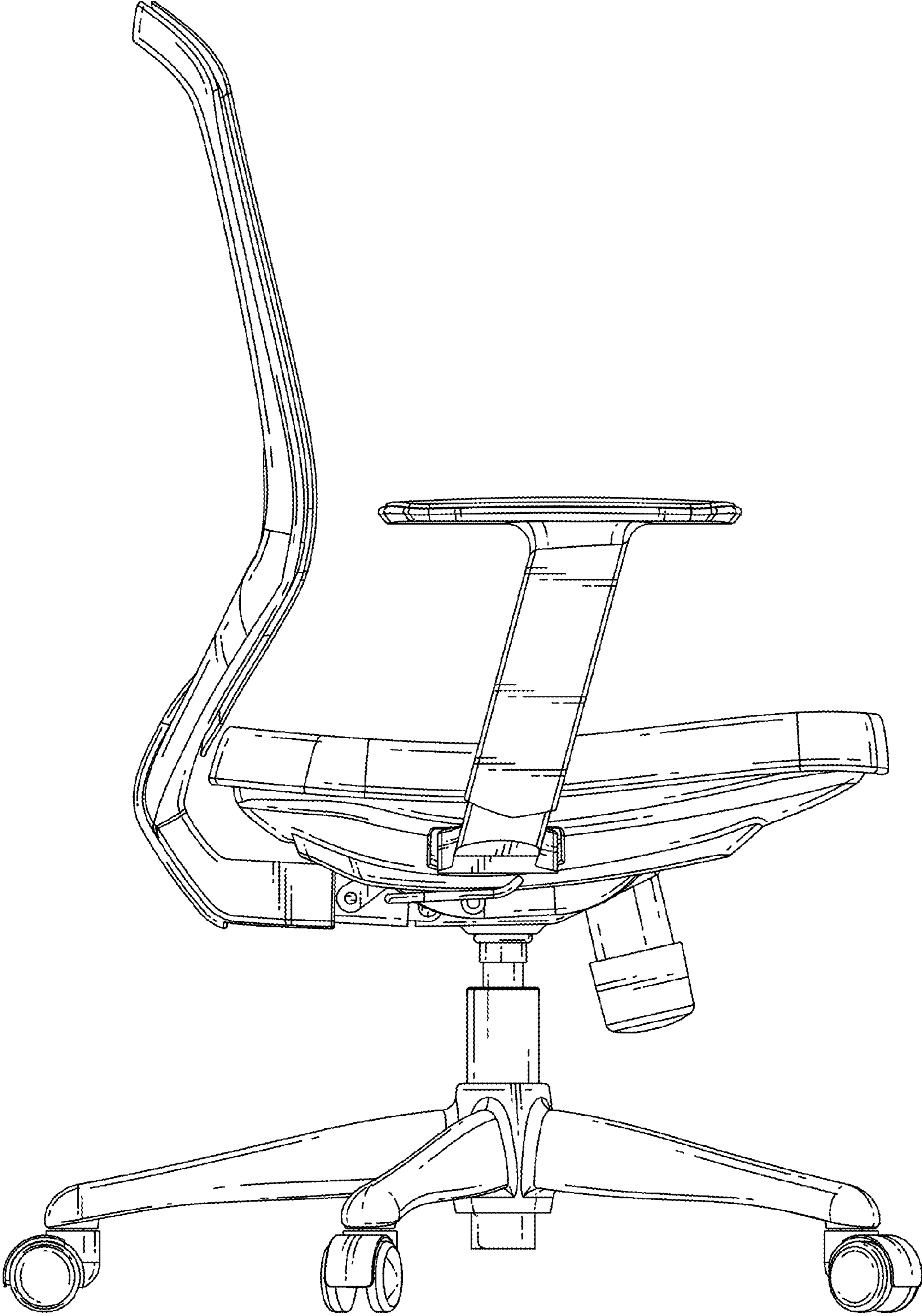


FIG. 4

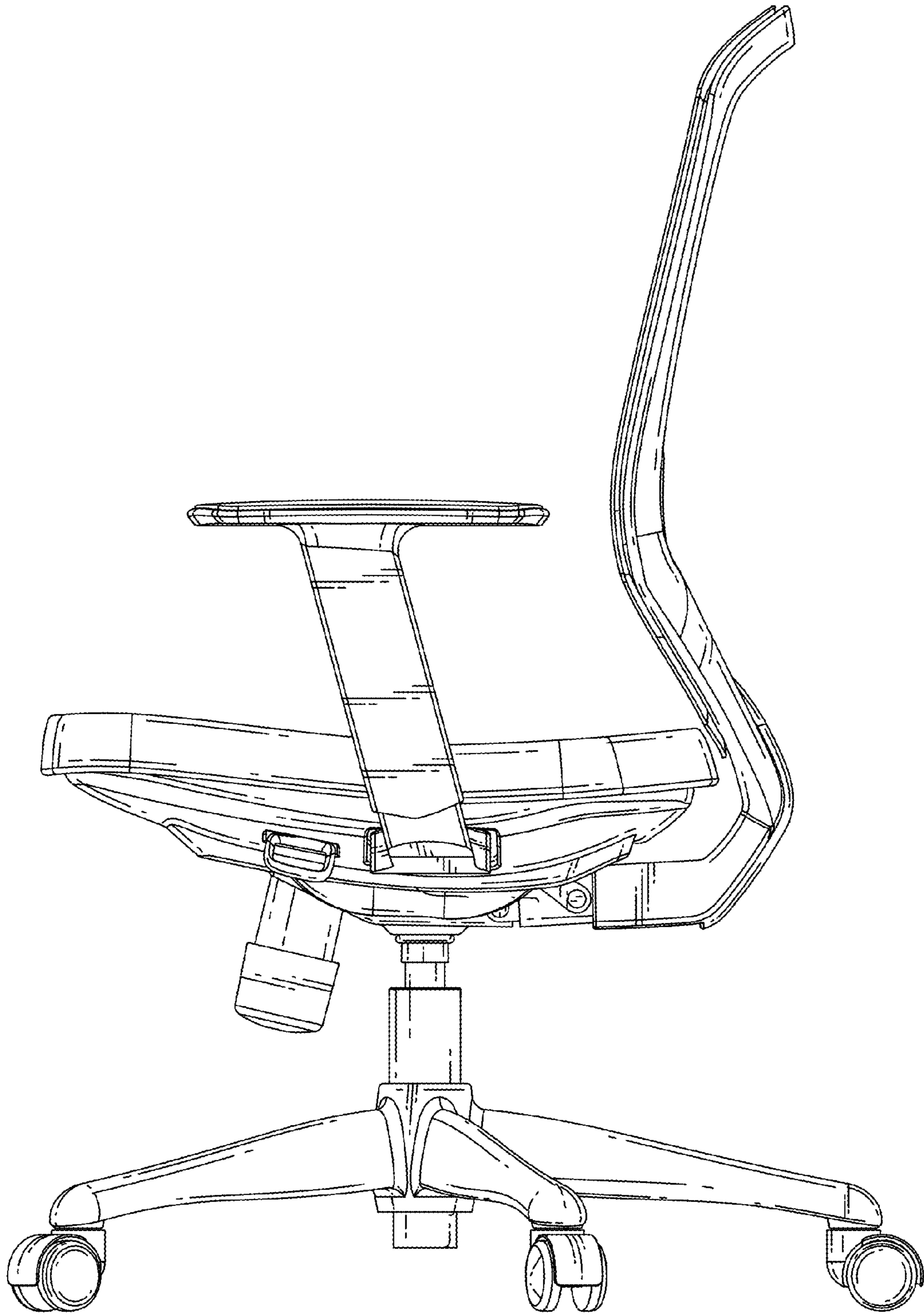


FIG. 5

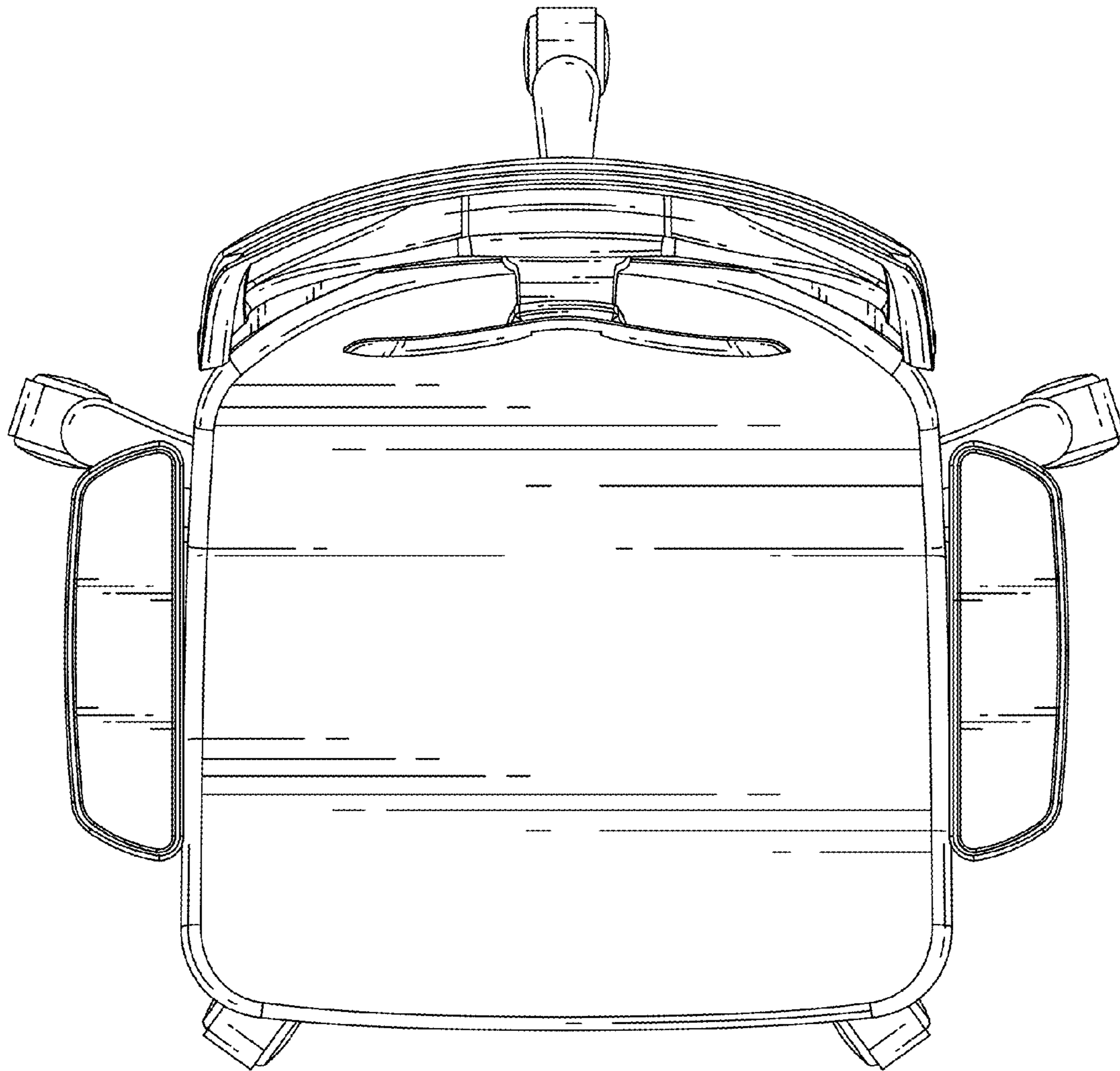


FIG. 6

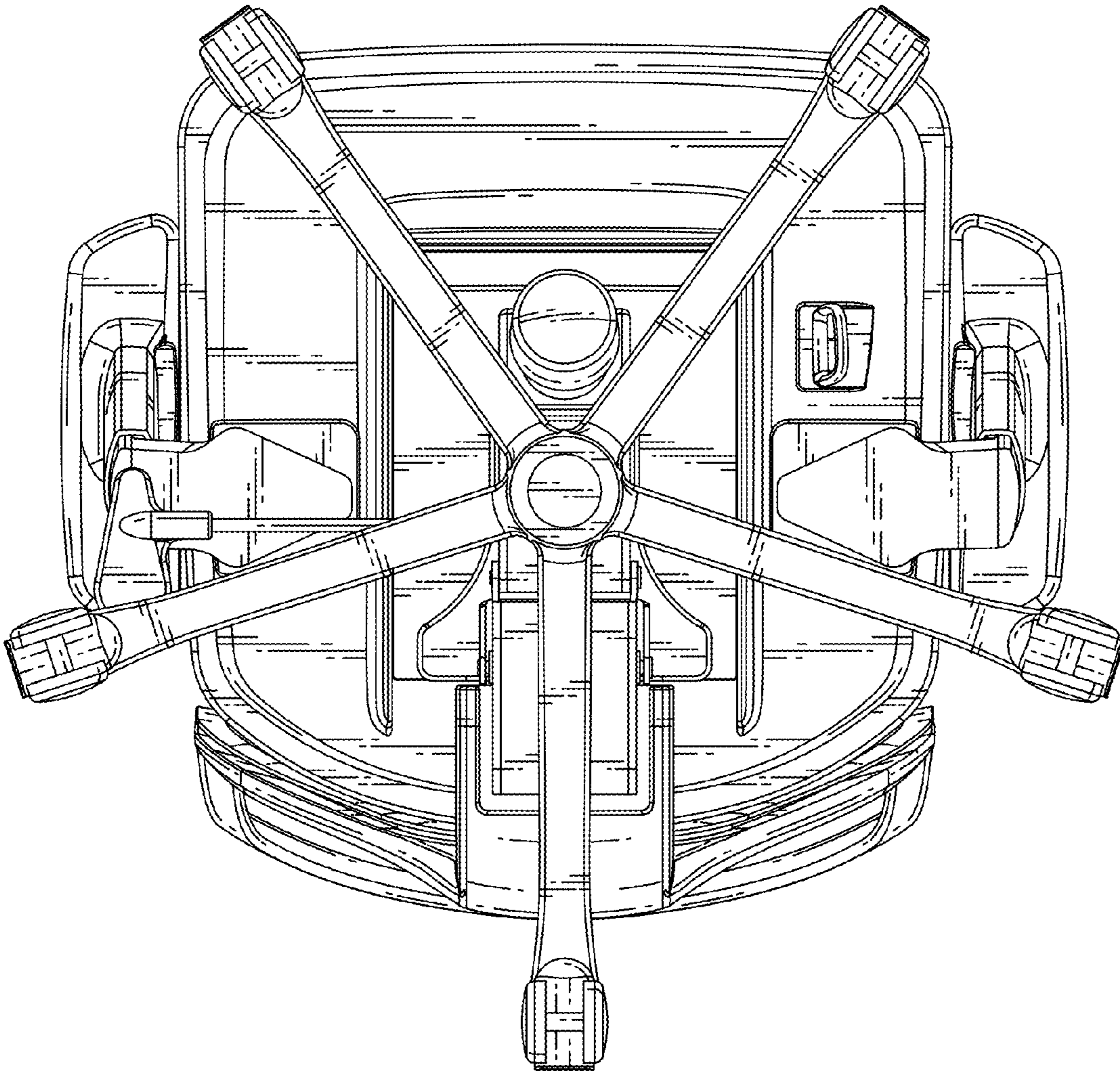


FIG. 7

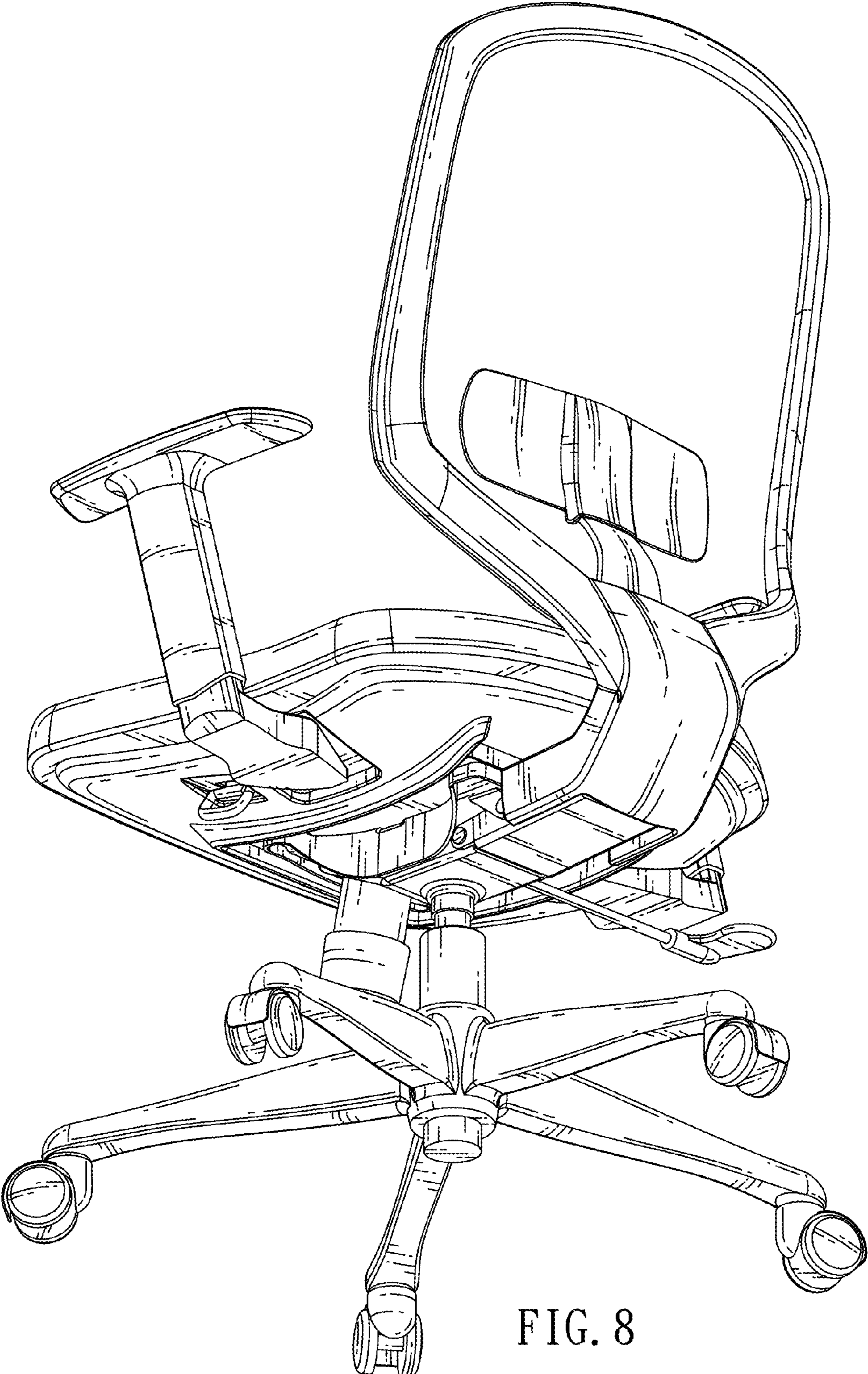


FIG. 8