



US00D750909S

(12) **United States Design Patent**  
**Hickman**

(10) **Patent No.:** **US D750,909 S**  
(45) **Date of Patent:** **\*\* Mar. 8, 2016**

(54) **ATTACHABLE TOOL TRAY FOR ARTIST'S EASEL**

(71) Applicant: **Robert Hickman**, Lexington, SC (US)

(72) Inventor: **Robert Hickman**, Lexington, SC (US)

(\*\*) Term: **14 Years**

(21) Appl. No.: **29/487,344**

(22) Filed: **Apr. 8, 2014**

(51) **LOC (10) Cl.** ..... **06-07**

(52) **U.S. Cl.**

USPC ..... **D6/310; D6/574; D6/553; D3/304**

(58) **Field of Classification Search**

USPC ..... D6/300, 310, 553, 567-572, 574, 552, D6/701, 529, 524-528; D19/101-107, D19/202; D16/249, 242, 245; 248/300, 455, 248/469, 163.2, 238, 312.1, 309.1, 311.2, 248/311.3; 211/13.1, 69.1, 70.6, 70.7, 71, 211/72, 74, 75, 86.01, 87.01, 88.01, 90.1, 211/126.1, 119.009, 86-88, 90, 134, 135; D8/71, 355; D7/592, 590; 312/122

CPC ..... A47B 23/00; A47K 3/004

See application file for complete search history.

(56) **References Cited**

**U.S. PATENT DOCUMENTS**

200,083	A *	2/1878	Oviatt	131/240.1
4,155,312	A *	5/1979	Thorkildson	108/137
D259,226	S *	5/1981	Lester	D6/526
D260,462	S *	9/1981	Melamed et al.	D6/525
D276,779	S *	12/1984	Gomez	D6/705
4,525,882	A *	7/1985	Stenberg	4/559
D280,583	S *	9/1985	Evenson	D6/574
D303,745	S *	10/1989	Lowe et al.	D6/574
D311,657	S *	10/1990	Pate	D6/574
5,056,458	A *	10/1991	Askeland	118/505
D359,442	S *	6/1995	Johansson	D8/382
D359,443	S *	6/1995	Johansson	D8/382
D359,444	S *	6/1995	Johansson	D8/382

D398,470	S *	9/1998	St-Pierre et al.	D6/574
D493,995	S *	8/2004	Chen et al.	D6/553
D546,610	S *	7/2007	Blanchard	D6/567
D552,152	S *	10/2007	Almond	D16/249
D585,647	S *	2/2009	Whiteside et al.	D3/310
D636,183	S *	4/2011	Bolt et al.	D3/313
8,042,700	B1 *	10/2011	Smalley	211/90.01
8,322,545	B1 *	12/2012	Golias et al.	211/135
D688,905	S *	9/2013	Stravitz	D6/705
2013/0048586	A1 *	2/2013	Pixler	211/85
2014/0061415	A1 *	3/2014	Hermeijer	248/297.31
2014/0346302	A1 *	11/2014	Vignali et al.	248/309.1

**OTHER PUBLICATIONS**

Genesis Easel Company Small Tool Tray, available Apr. 6, 2014, [online]. [site visited Jun. 22, 2015]. Available from internet, [https://www.facebook.com/geneseaselco/photos\\_stream#/media/set/?set=a.536042773171654.1073741831.513379175438014&type=3.\\*](https://www.facebook.com/geneseaselco/photos_stream#/media/set/?set=a.536042773171654.1073741831.513379175438014&type=3.*)

(Continued)

*Primary Examiner* — Cathron Brooks

*Assistant Examiner* — Teddy Falloway

(74) *Attorney, Agent, or Firm* — Jonathan A. Kidney; TechLaw LLP

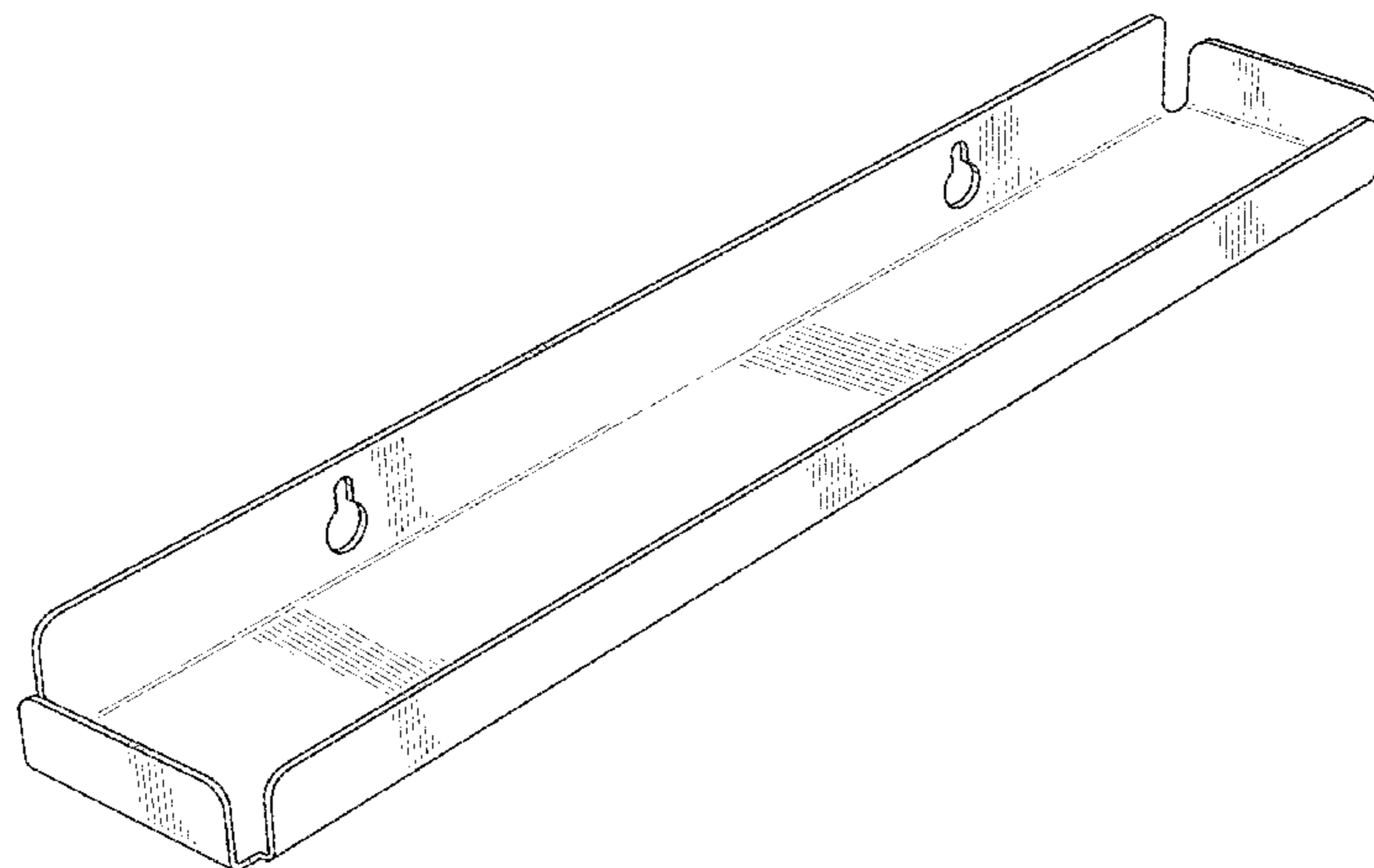
(57) **CLAIM**

The ornamental design for an attachable tool tray for artist's easel, as shown and described.

**DESCRIPTION**

FIG. 1 is a perspective top view of an attachable tool tray for artist's easel showing my new design; FIG. 2 is a front side view thereof; FIG. 3 is a rear side view thereof; FIG. 4 is a left side view thereof; FIG. 5 is a right side view thereof; FIG. 6 is a top view thereof; and, FIG. 7 is a bottom view thereof.

**1 Claim, 4 Drawing Sheets**



(56)

**References Cited**

OTHER PUBLICATIONS

Klopfenstein Easel Tray, available Nov. 20, 2014, [online], [site visited Jun. 22, 2015]. Available from internet, <URL: <http://klopfensteinart.com/product/easel-tray/#!prettyPhoto>.\*

Painting With Watercolors, available Apr. 4, 2013, [online], [site visited Jun. 22, 2015]. Available from internet, <URL: <http://www.paintingwithwatercolors.com/plein-air-easel-for-watercolor-painting/#/>.\*

Childcraft Easel Tray, available May 13, 2013, [online], [site visited Jun. 22, 2015]. Available from internet, <URL: <http://www.amazon.com/Childcraft-Replacement-Easel-Tray-Blue/dp/B0042SR1US>.\*

Cosumnes River Drawing Tray, available Nov. 20, 2014, [online], [site visited Jun. 22, 2015]. Available from internet, <URL: [http://www.barnesvilleeasels.com/products/Cosumnes\\_River\\_drawing\\_tray.php](http://www.barnesvilleeasels.com/products/Cosumnes_River_drawing_tray.php).\*

Strada Side Tray, available Jun. 4, 2014, [online], [site visited Jun. 22, 2015]. Available from internet, <http://www.stradaeasel.com/products/side-tray>.\*

Stak Easel Support Tray, available Nov. 20, 2012, [online], [site visited Jun. 22, 2015]. Available from internet, <URL: <http://www.barnesvilleeasels.com/products/stak-easel-tray.php>.\*

Rockler Utility Tray, available Jan. 10, 2014, [online], [site visited Jun. 22, 2015]. Available from internet, <URL: <http://www.rockler.com/undermount-utility-tray>.\*

\* cited by examiner

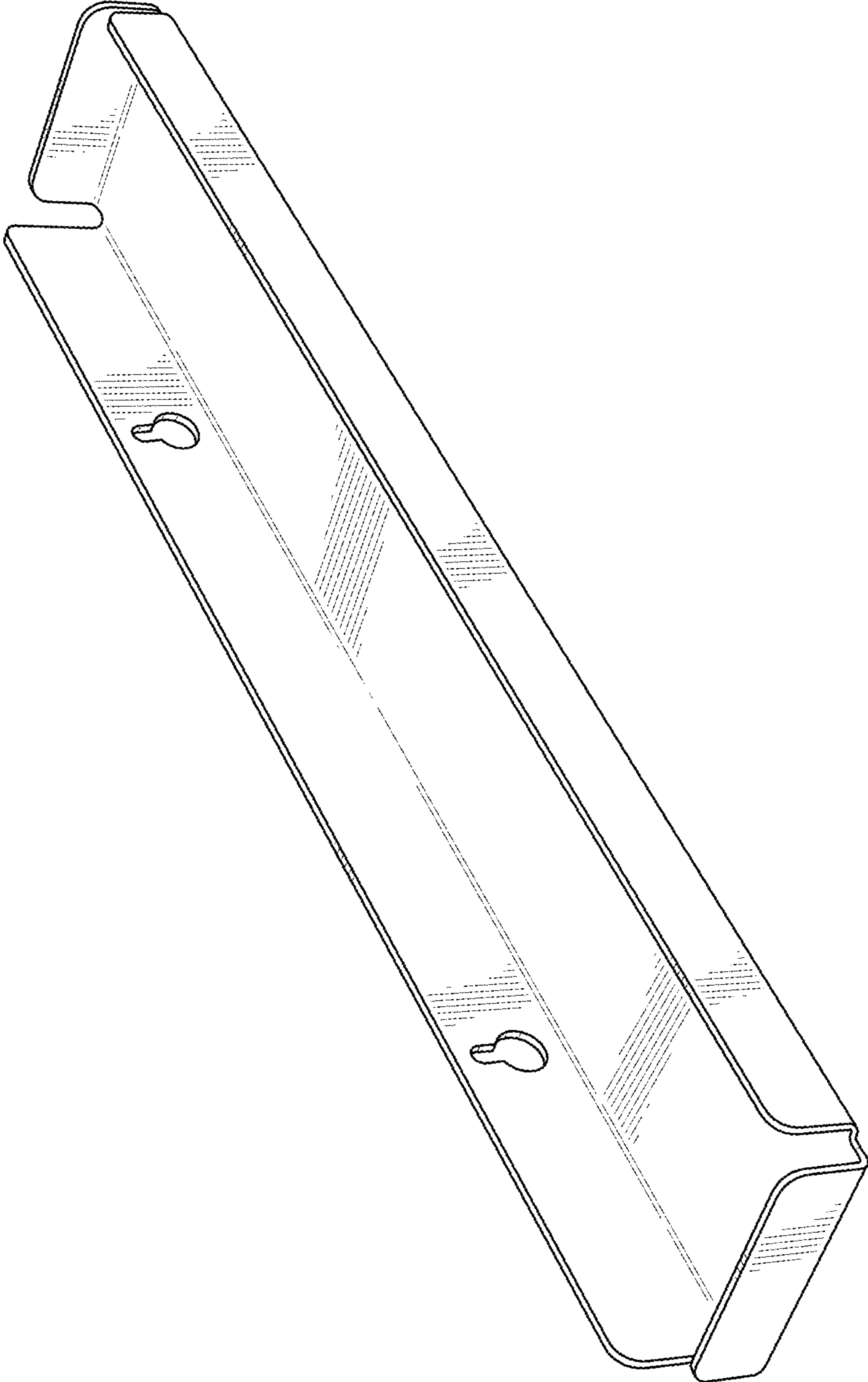


FIG.1

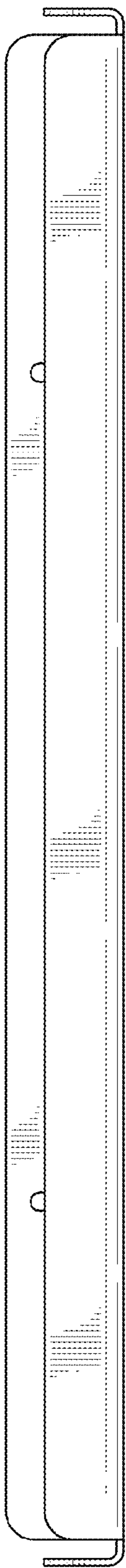


FIG. 2

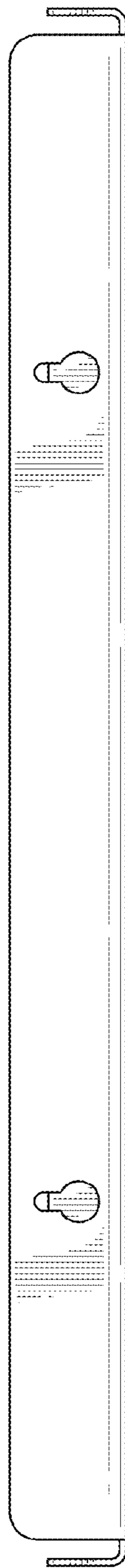


FIG. 3

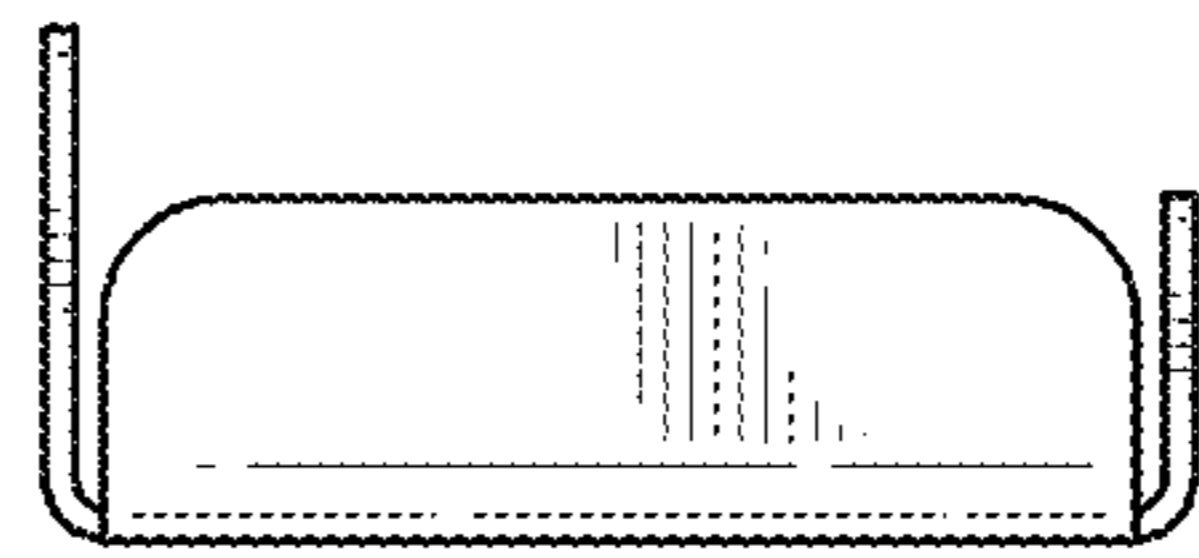


FIG. 4

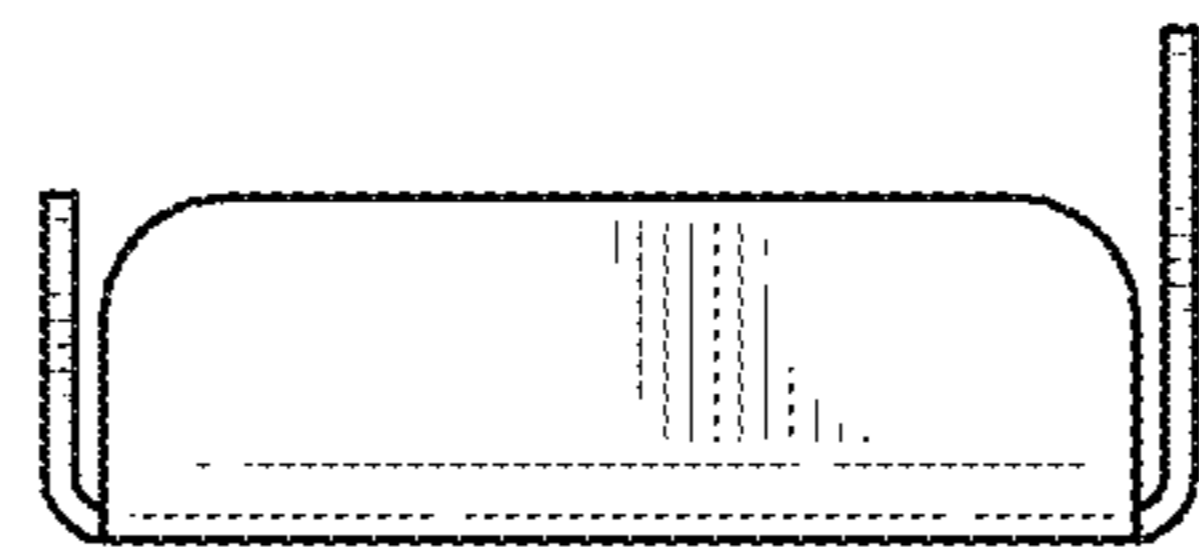


FIG. 5

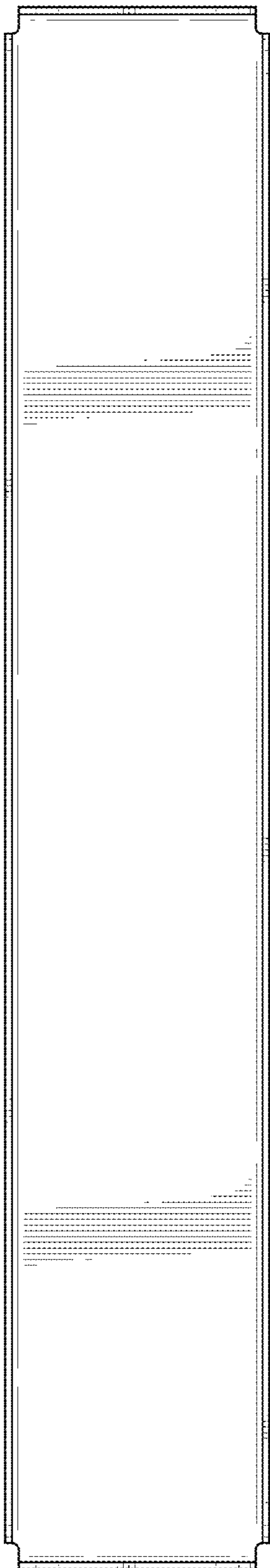


FIG. 6

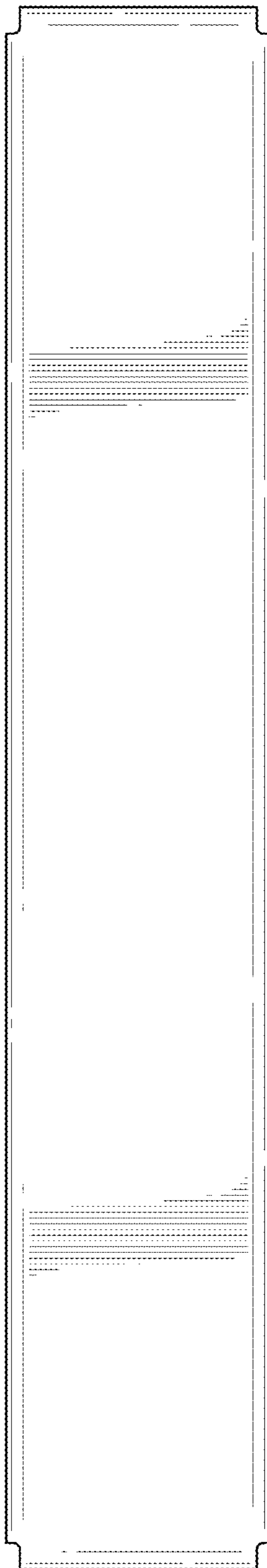


FIG. 7