



US00D750908S

(12) **United States Design Patent**
Hickman

(10) **Patent No.:** **US D750,908 S**
(45) **Date of Patent:** **** Mar. 8, 2016**

- (54) **ATTACHABLE ARTIST’S EASEL**
- (71) Applicant: **Robert Hickman**, Lexington, SC (US)
- (72) Inventor: **Robert Hickman**, Lexington, SC (US)
- (**) Term: **14 Years**
- (21) Appl. No.: **29/504,363**
- (22) Filed: **Oct. 5, 2014**

D367,377	S *	2/1996	Langton et al.	D19/91
5,494,251	A *	2/1996	Katz	248/449
5,725,192	A *	3/1998	Cloninger	248/458
5,950,979	A *	9/1999	Mira	248/460
D535,826	S *	1/2007	Toghanian	D6/300
7,455,275	B1 *	11/2008	Astadan et al.	248/441.1
D686,420	S *	7/2013	Beach	D6/310
D691,380	S *	10/2013	Richeson	D6/312
D725,391	S *	3/2015	Valois	D6/300
D726,421	S *	4/2015	Rue et al.	D6/300
2006/0192071	A1 *	8/2006	Choi	248/460

(Continued)

Related U.S. Application Data

- (63) Continuation-in-part of application No. 13/802,783, filed on Mar. 14, 2013, now Pat. No. 8,870,148.
- (51) **LOC (10) Cl.** **06-07**
- (52) **U.S. Cl.**
USPC **D6/300; D6/312**
- (58) **Field of Classification Search**
USPC D6/300, 310–314, 681.1; D19/113;
248/452, 316.1, 316.3, 464, 463, 447,
248/455, 458, 448, 451, 460, 449, 161;
D8/71, 355
CPC A47B 97/08; A47B 97/04; A47B 23/041;
A47B 83/008
See application file for complete search history.

(56) **References Cited**

U.S. PATENT DOCUMENTS

396,362	A *	1/1889	Marks	248/449
2,526,527	A *	10/1950	Zander	248/463
3,095,665	A *	7/1963	Killen	248/449
3,122,858	A *	3/1964	Kadin	248/449
D204,272	S *	4/1966	Bulman	D6/311
D205,514	S *	8/1966	Rubin	D6/311
D213,376	S *	2/1969	Hermalin	D6/312
3,715,097	A *	2/1973	Kalajian	248/449
4,109,892	A *	8/1978	Hartung	248/449
4,134,614	A *	1/1979	Fielding, Sr.	297/156
4,610,414	A *	9/1986	Schuck	248/449
D344,637	S *	3/1994	Brown	D6/310

OTHER PUBLICATIONS

Genesis Easel Company, available Feb. 14, 2014, [online], [site visited Jun. 22, 2015]. Available from internet, https://www.facebook.com/geneseaselco#!/geneseaselco/photos_stream.*

(Continued)

Primary Examiner — Cathron Brooks
Assistant Examiner — Teddy Falloway
(74) *Attorney, Agent, or Firm* — Jonathan A. Kidney;
TechLaw LLP

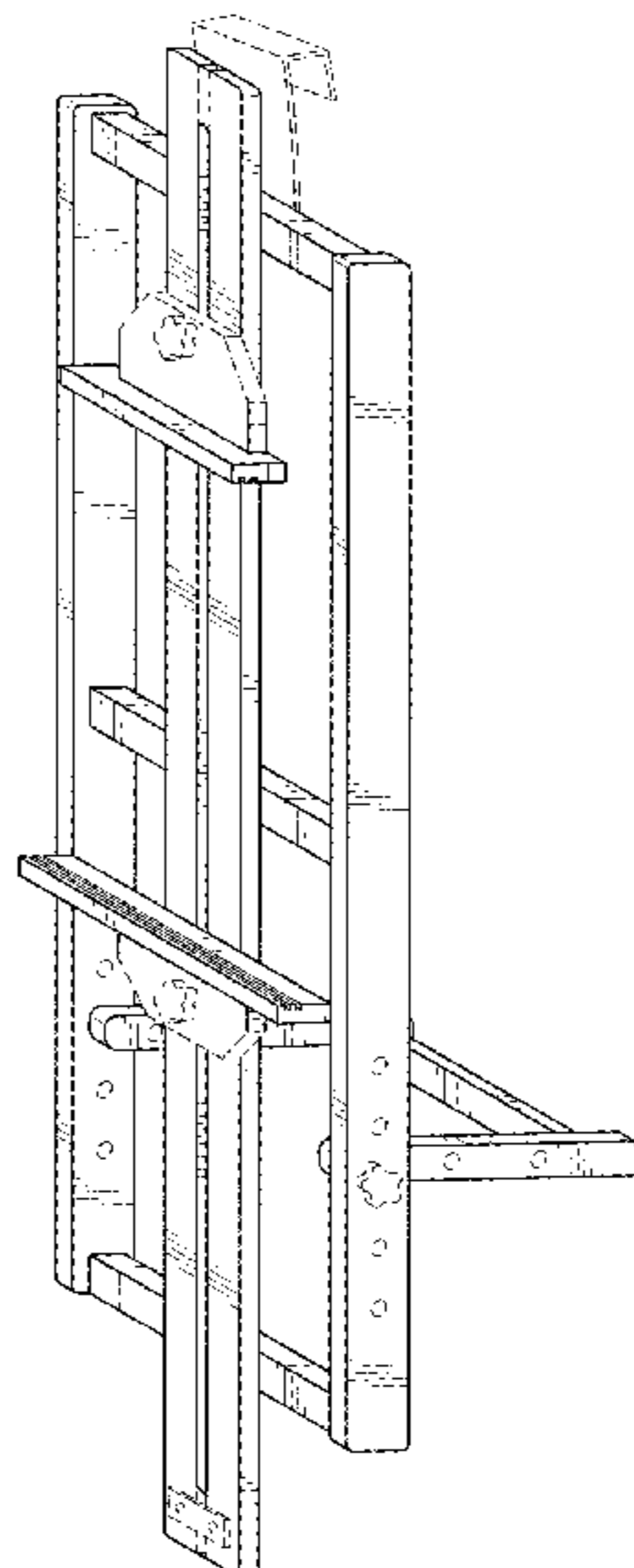
(57) **CLAIM**

The ornamental design for an attachable artist’s easel, as shown and described.

DESCRIPTION

FIG. 1 is a perspective top view of an attachable artist’s easel showing my new design;
FIG. 2 is a front view thereof;
FIG. 3 is a right side view thereof;
FIG. 4 is a top side view thereof;
FIG. 5 is a bottom side view thereof; and,
FIG. 6 is a rear view thereof.
The broken lines shown are included for the purpose of illustrating portions of the attachable artist’s easel that form no part of the claimed design.

1 Claim, 5 Drawing Sheets



(56)

References Cited

U.S. PATENT DOCUMENTS

2010/0320354 A1* 12/2010 Prost 248/448
2014/0263922 A1* 9/2014 Hickman 248/447.1

OTHER PUBLICATIONS

Best Wallmount Easel (via dickblick), available Feb. 5, 2011, [online], [site visited Jun. 22, 2015]. Available from internet, <http://www.dickblick.com/products/best-wallmount-easel/>.*

Paper Bird Studio Easels, available Feb. 5, 2011, [online], [site visited Jun. 22, 2015]. Available from internet, <http://paperbirdstudio.net/wall-easel/>.*

H-Frame Easels (via Fine Woodworking), available Feb. 5, 2011, [online], [site visited Jun. 22, 2015]. Available from internet, <http://forums.finewoodworking.com/fine-woodworking-knots/project-plans/cad-software/h-frame-artists-easel-plans.>*

Convertible Easel (via A Passion for Painting), available Jun. 23, 2012, [online], [site visited Jun. 22, 2015]. Available from internet, <http://oakesart.blogspot.com/2012/06/i-built-this-h-frame-easel-from-left.html>.*

Bob Ross Table Top Easel (via Amazon), available Aug. 31, 2011, [online], [site visited Jun. 22, 2015]. Available from internet, <http://www.amazon.com/Martin-Ross-Wooden-Table-Easel/dp/B000CSWTOA>.*

* cited by examiner

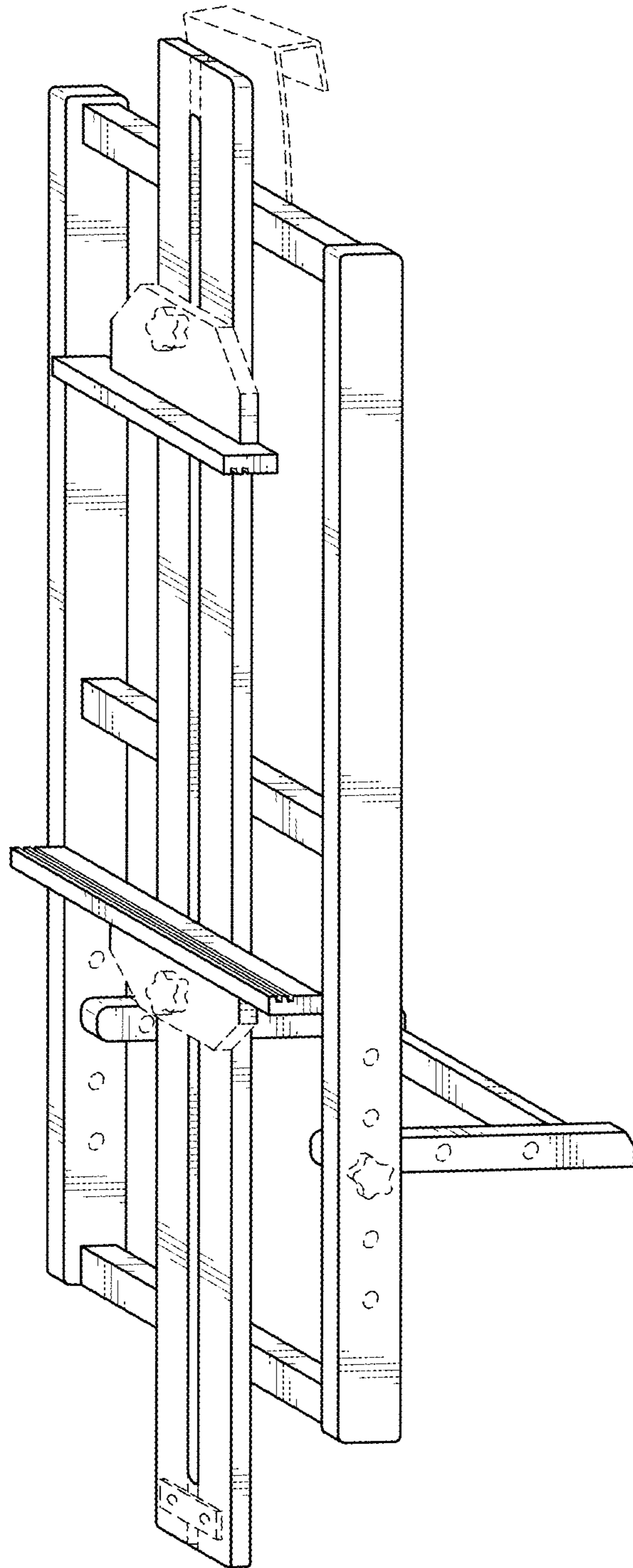


FIG. 1

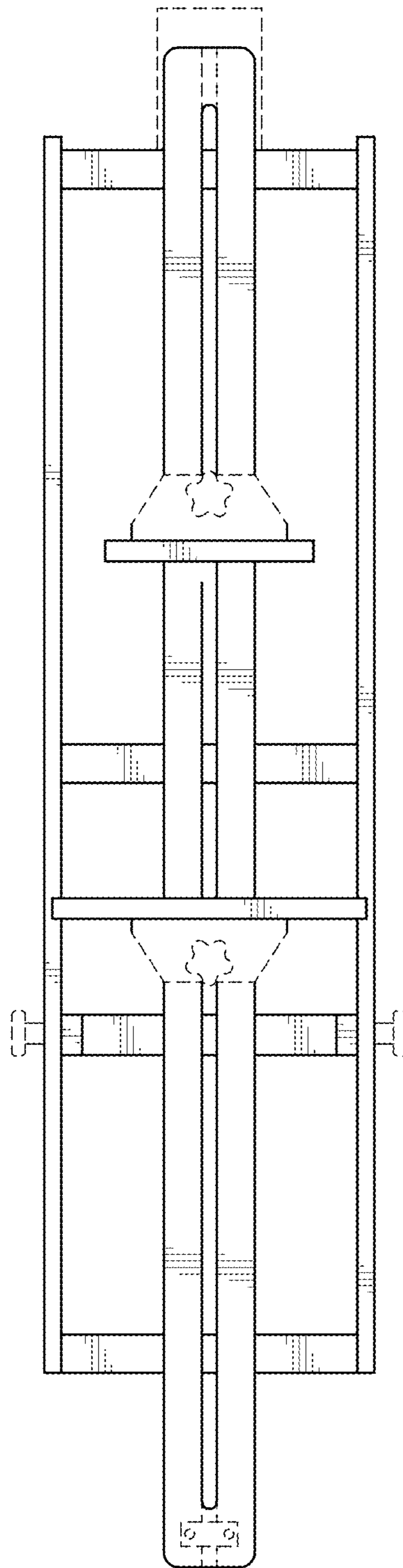


FIG.2

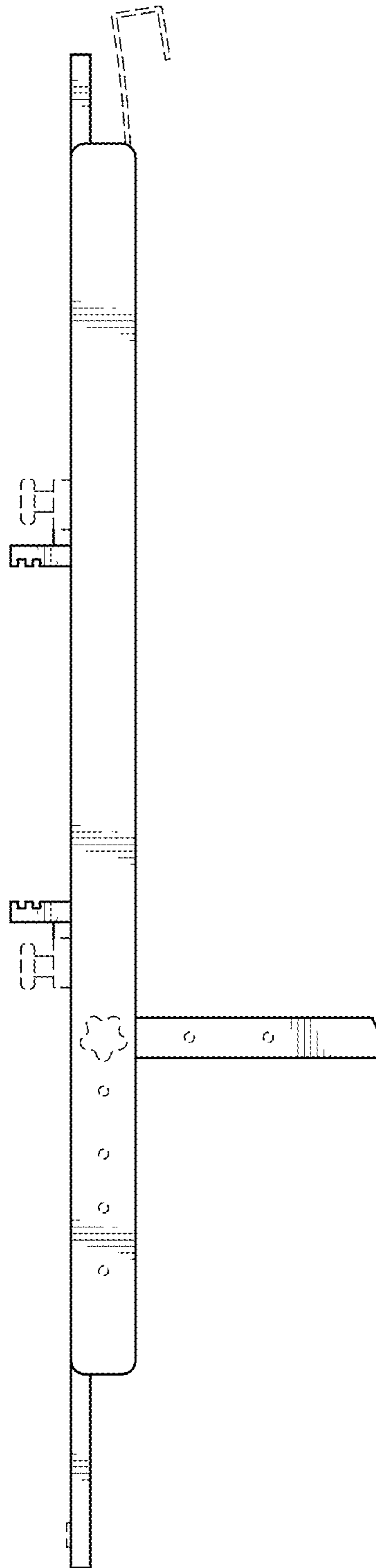


FIG.3

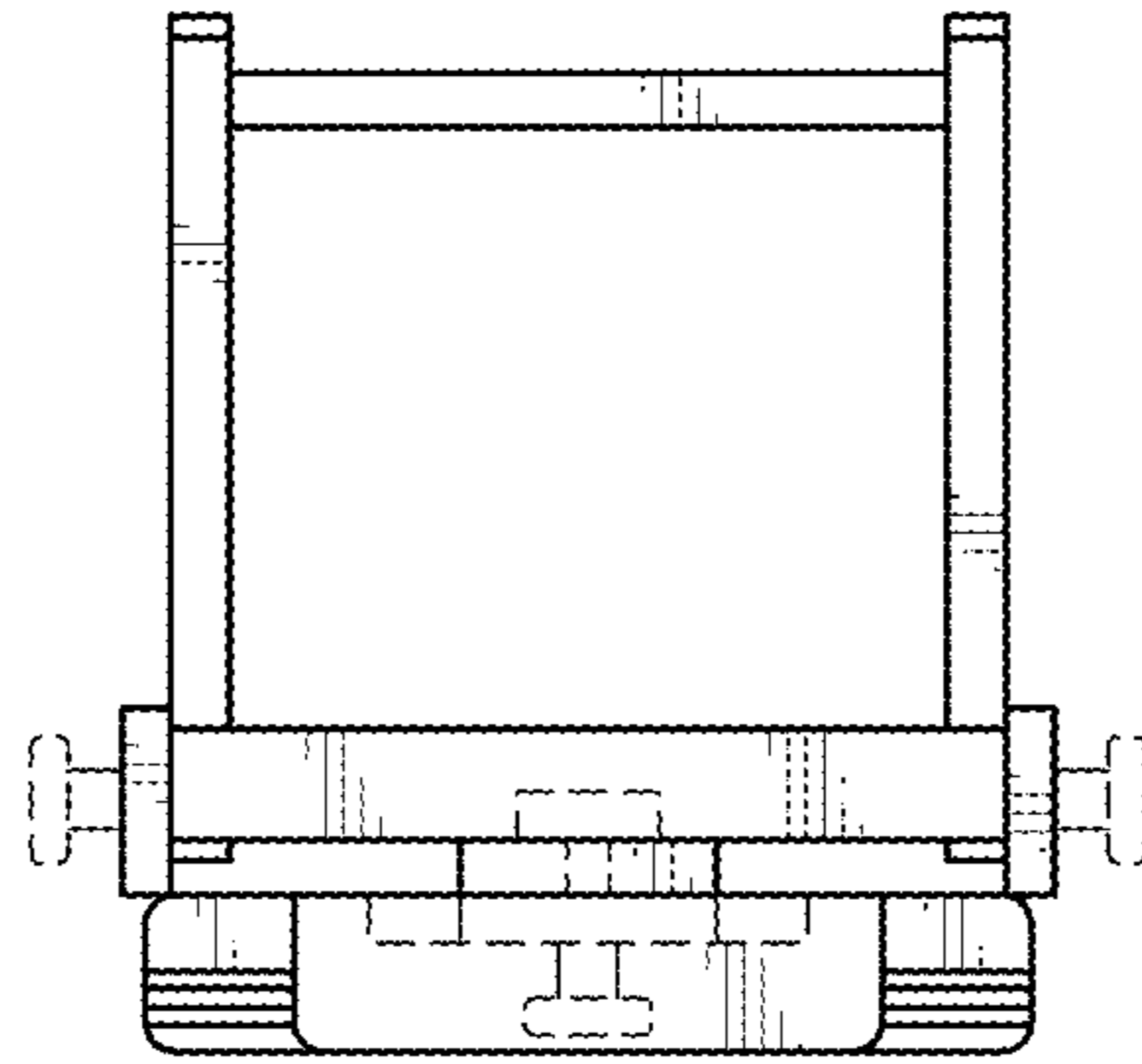


FIG. 4

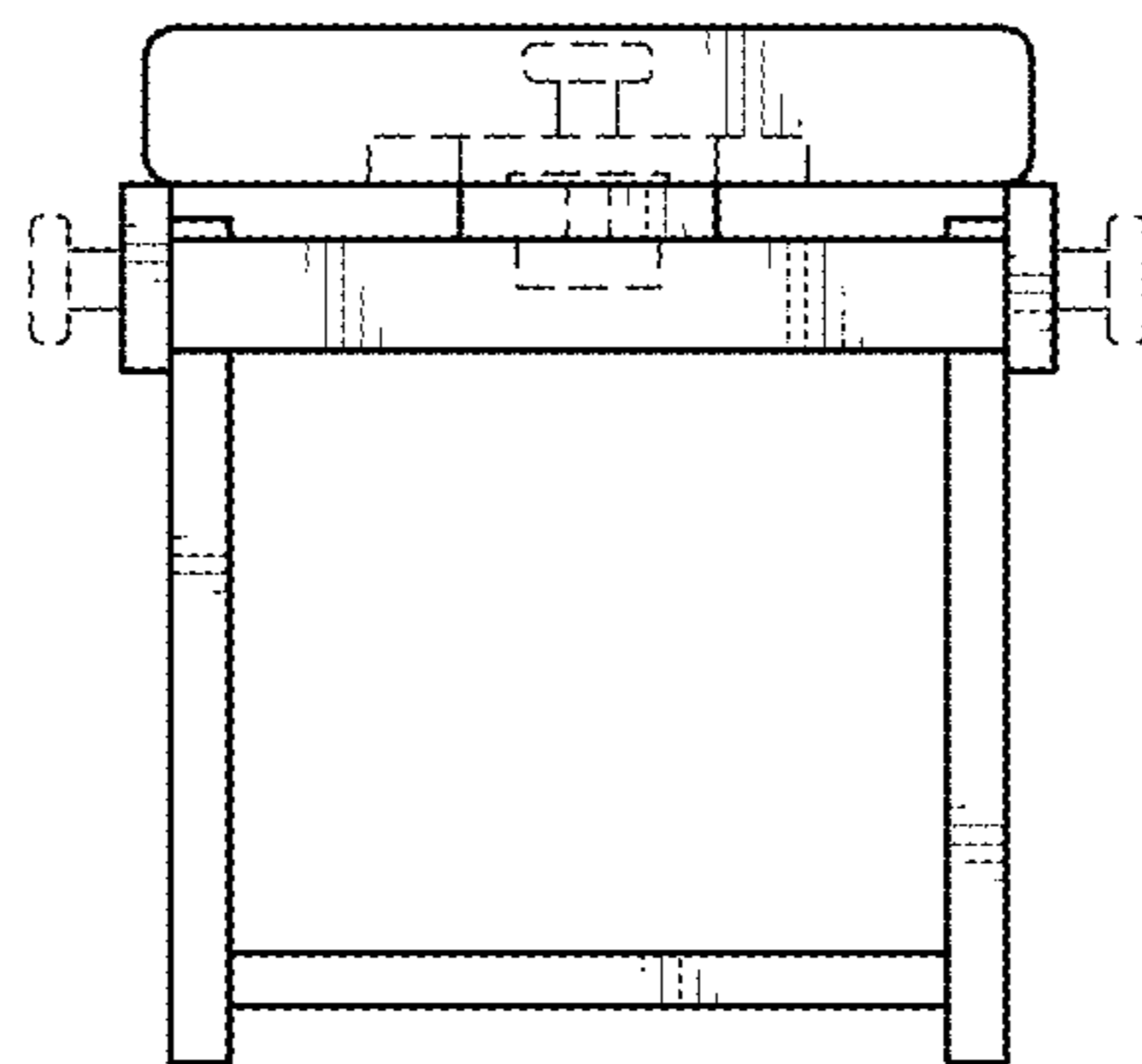


FIG. 5

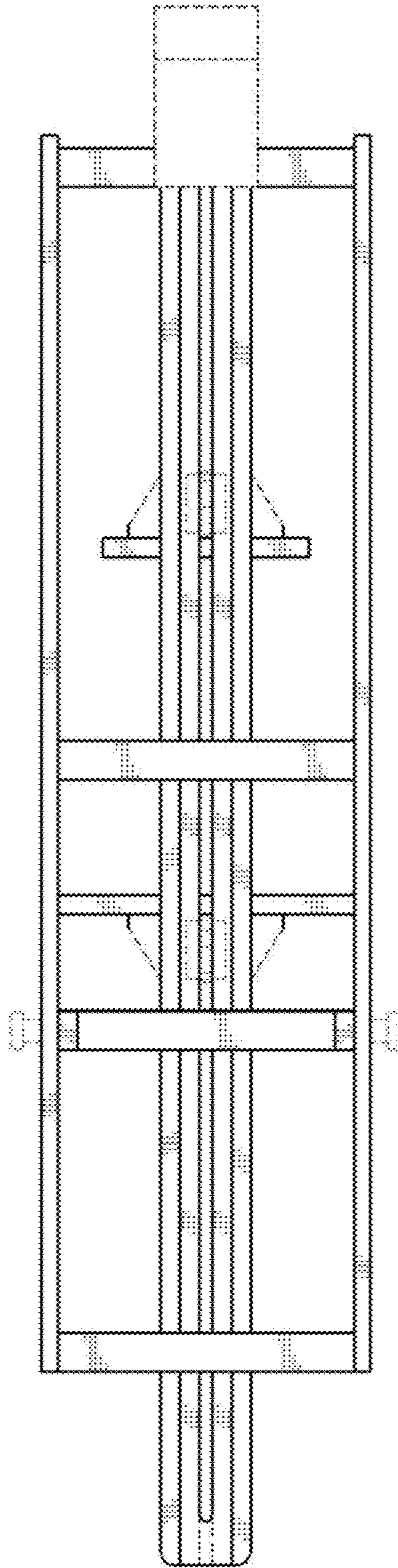


FIG. 6