



US00D750896S

(12) **United States Design Patent**
Park

(10) **Patent No.:** **US D750,896 S**
(45) **Date of Patent:** **** Mar. 8, 2016**

(54) **HAIR BRUSH**

(71) Applicant: **Ran-Kyu Park**, Seoul (KR)

(72) Inventor: **Ran-Kyu Park**, Seoul (KR)

(**) Term: **14 Years**

(21) Appl. No.: **29/509,818**

(22) Filed: **Nov. 21, 2014**

(30) **Foreign Application Priority Data**

May 21, 2014 (KR) 30-2014-0024946

(51) **LOC (10) Cl.** **04-02**

(52) **U.S. Cl.**
USPC **D4/136**

(58) **Field of Classification Search**
USPC D4/104–113, 116–117, 121, 123,
D4/130–138; 15/106, 110, 111, 143.1,
15/144.1, 145, 159.1, 160, 167.1, 167.2,
15/172, 176.1, 184, 186–188, 201, 203;
132/119–121, 123, 137, 142, 150, 151,
132/201, 271, 308, 309, 311, 313
CPC A46B 2200/104; A46B 2200/1093;
A46B 9/023; A46B 9/06; A46B 17/04;
A46B 5/00; A46B 5/0029; A46B 5/0033;
A46B 5/02; A46B 7/023; A46B 7/042;
A46B 3/005; A46B 13/001; A46D 1/0207;
A46D 1/00; A46D 1/0284
See application file for complete search history.

(56) **References Cited**

U.S. PATENT DOCUMENTS

825,910 A * 7/1906 Kleinsorgen A46B 7/06
15/201
930,678 A * 8/1909 Moore A45D 24/02
132/150
1,172,544 A * 2/1916 Metzner A45D 24/34
132/150
2,238,603 A * 4/1941 Runnels D24/16
D132,814 S * 6/1942 Schwartz D4/134

D264,275 S * 5/1982 Megna D4/136
D358,490 S * 5/1995 Balster D4/138
6,308,717 B1 * 10/2001 Vrtaric A46B 9/023
132/142
D479,916 S * 9/2003 Park D4/128
D513,883 S * 1/2006 Kampel D4/133
D565,304 S * 4/2008 Stewart D4/133
D653,038 S * 1/2012 Park D4/128
D690,466 S * 9/2013 Wang D28/21
D696,026 S * 12/2013 Park D4/128
D696,027 S * 12/2013 Park D4/128
D739,660 S * 9/2015 Renette D4/138
2005/0138747 A1 * 6/2005 Su A46B 1/00
132/120
2008/0230082 A1 * 9/2008 Malka A46B 17/06
132/119
2013/0206183 A1 * 8/2013 Shim A46B 15/00
134/32

* cited by examiner

Primary Examiner — Garth Rademaker
Assistant Examiner — Llorellys Martinez-Rivera
(74) *Attorney, Agent, or Firm* — Cantor Colburn LLP

(57) **CLAIM**
The ornamental design for a hair brush, as shown and described.

DESCRIPTION

FIG. 1 is a perspective view of a hair brush showing my new design;
FIG. 2 is a front elevational view thereof.
FIG. 3 is a rear elevational view thereof;
FIG. 4 is a left side elevational view thereof;
FIG. 5 is a right side elevational view thereof;
FIG. 6 is a top plan view thereof;
FIG. 7 is a bottom plan view thereof;
FIG. 8 is a perspective view thereof, showing the hair brush in an environment of use; and,
FIG. 9 is another perspective view thereof, showing the hair brush in an alternate environment of use.
The broken lines in the drawings illustrate portions of the hair brush that form no part of the claimed design.

1 Claim, 8 Drawing Sheets

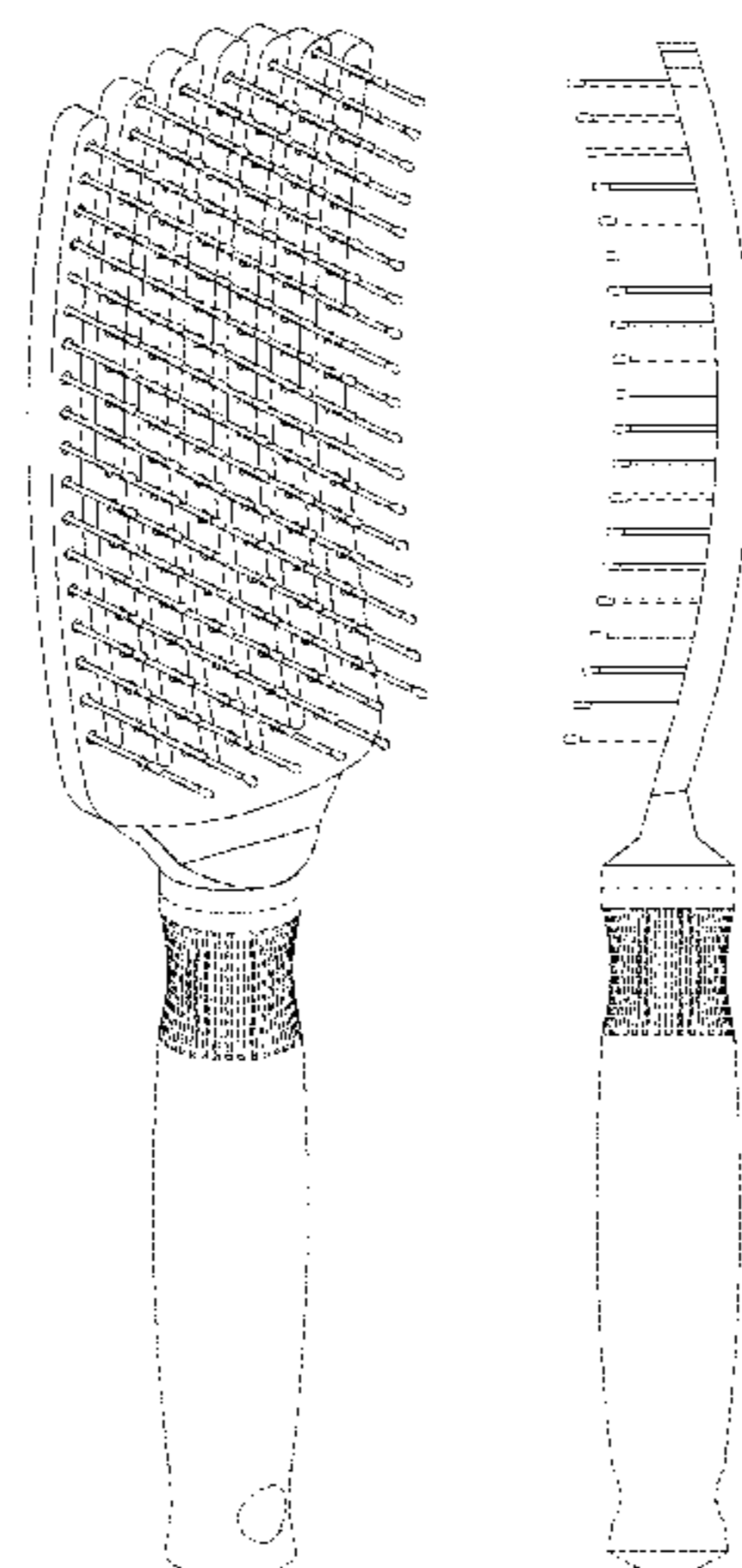


FIG. 1

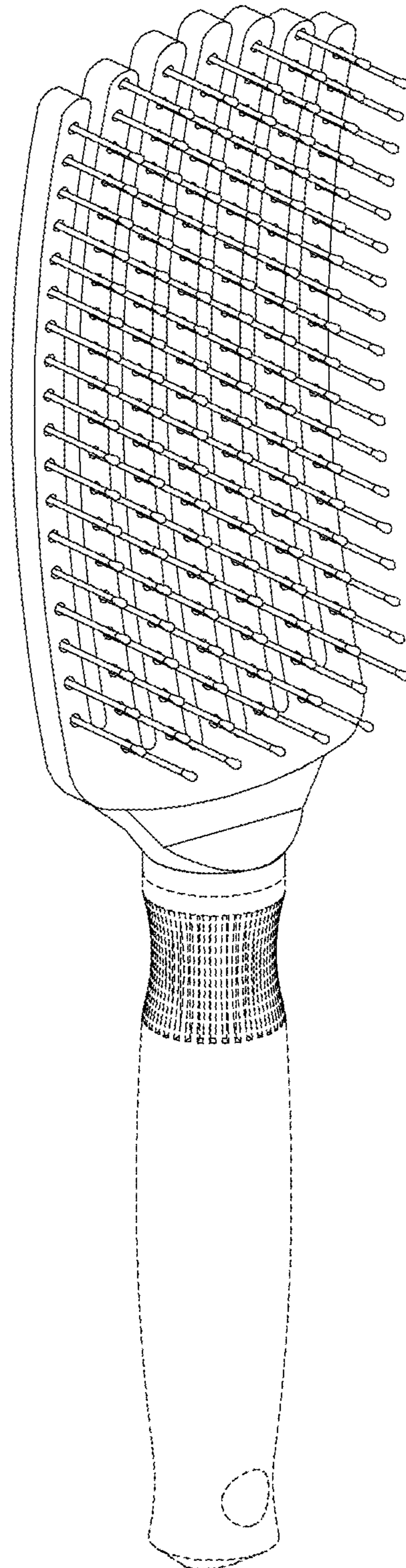


FIG. 2

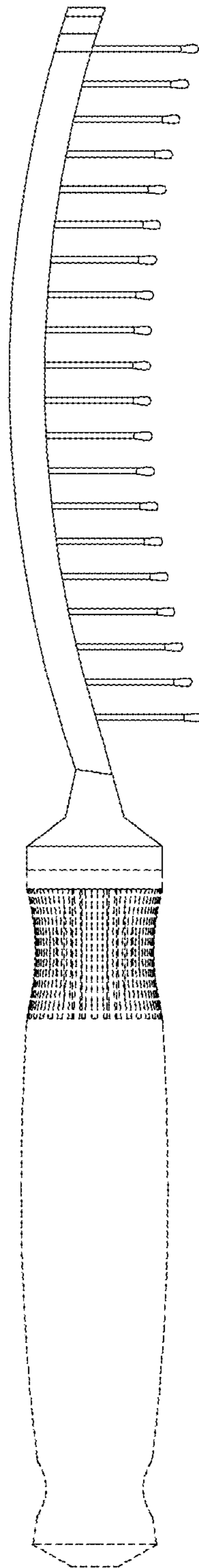


FIG. 3

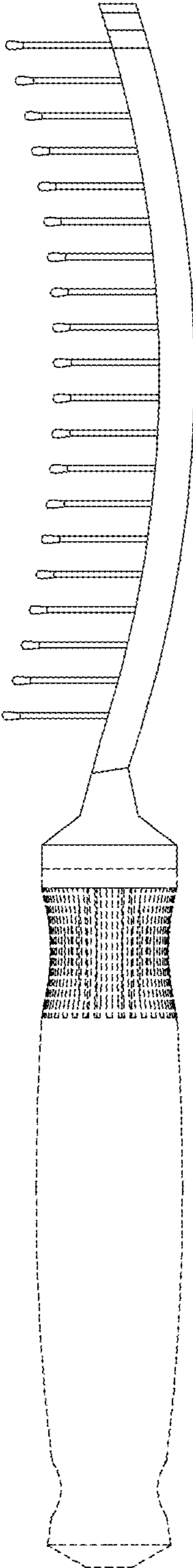


FIG. 4

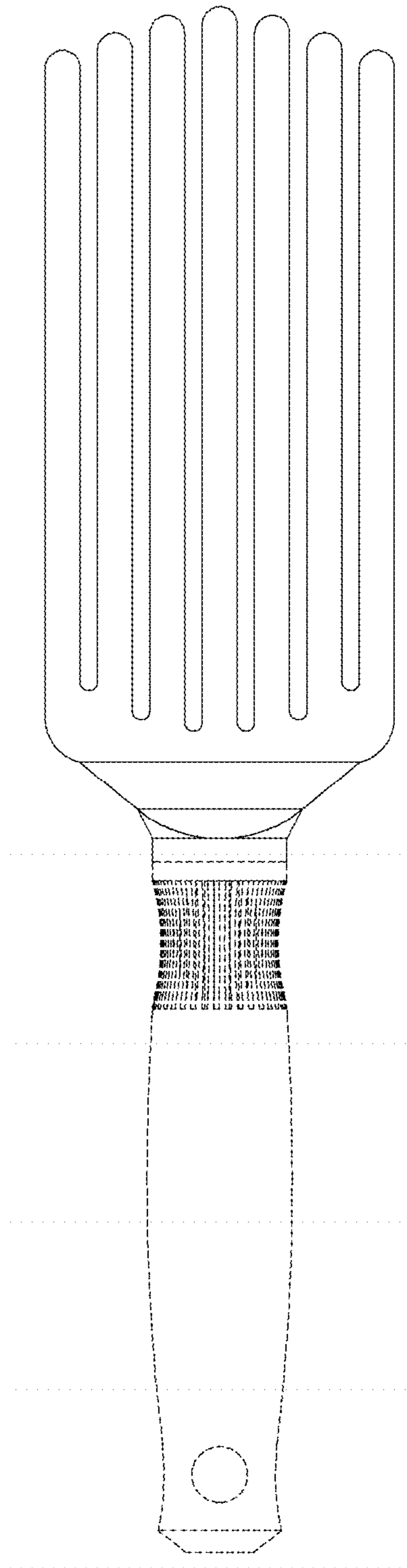


FIG. 5

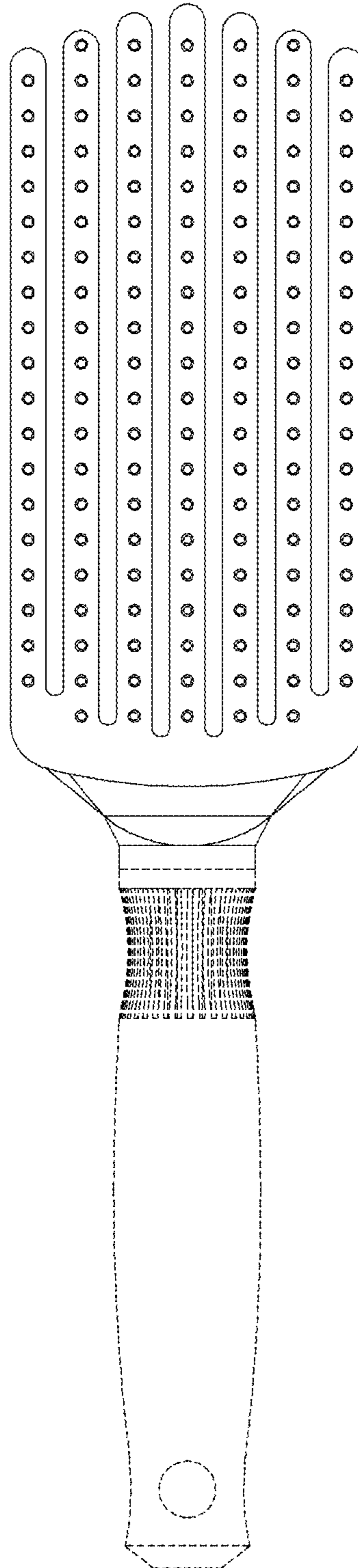


FIG. 6

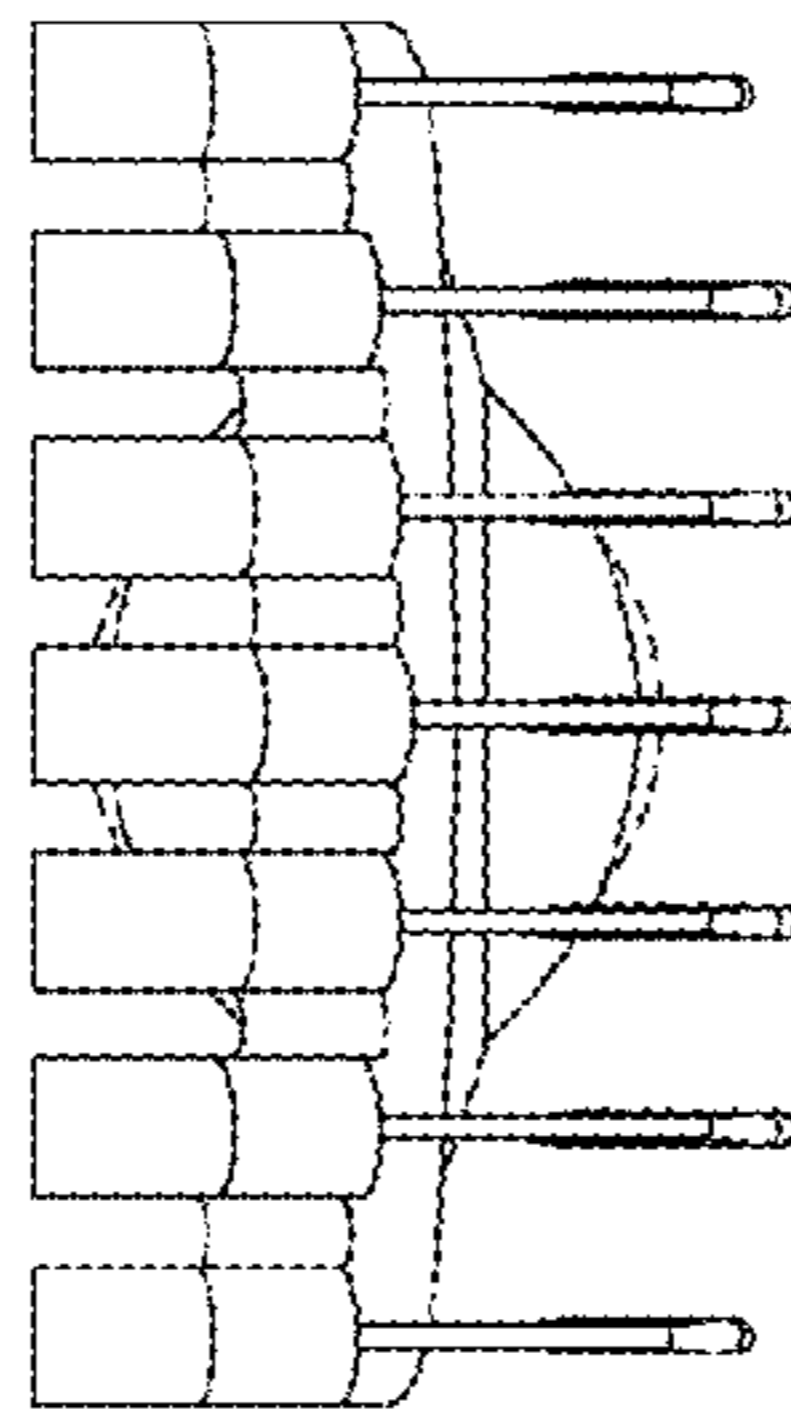


FIG. 7

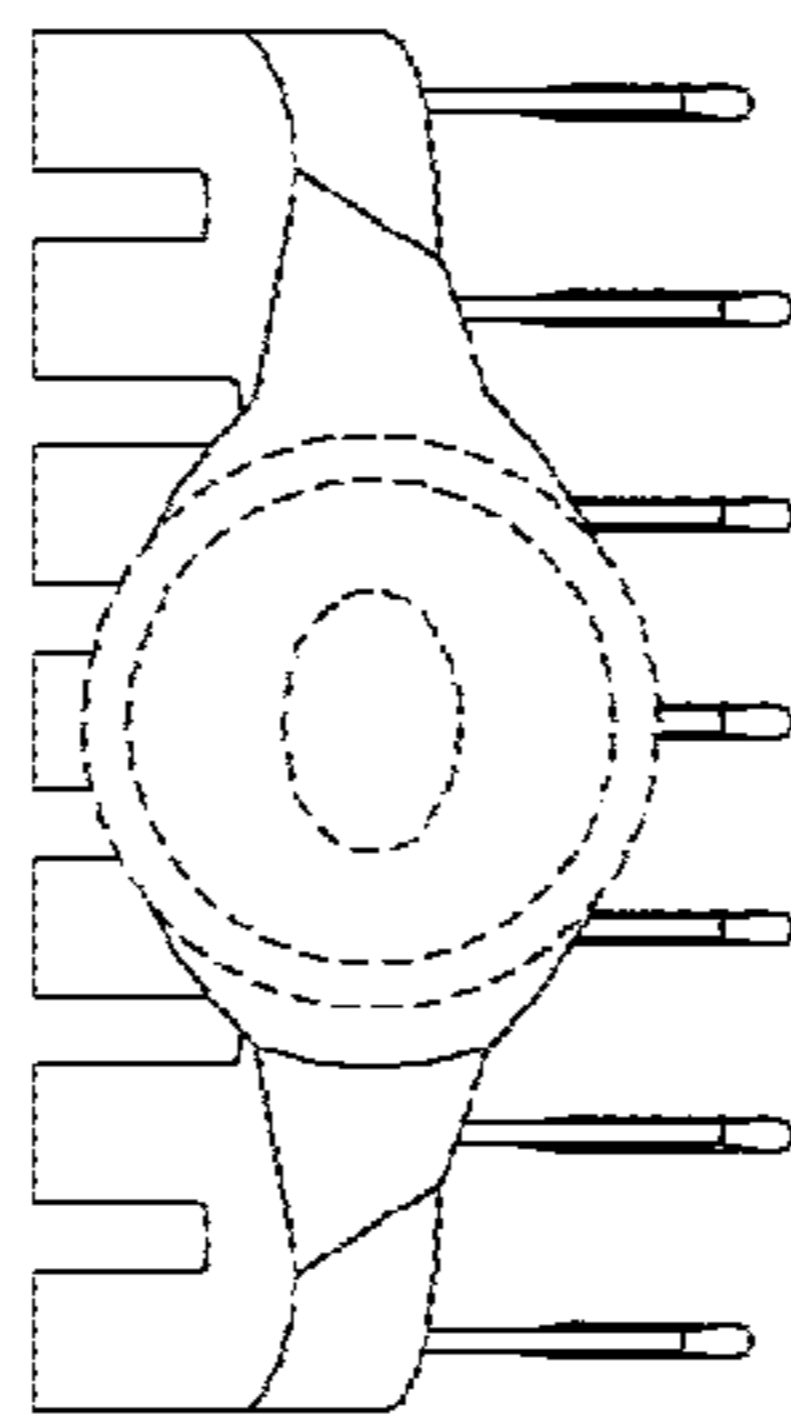


FIG. 8

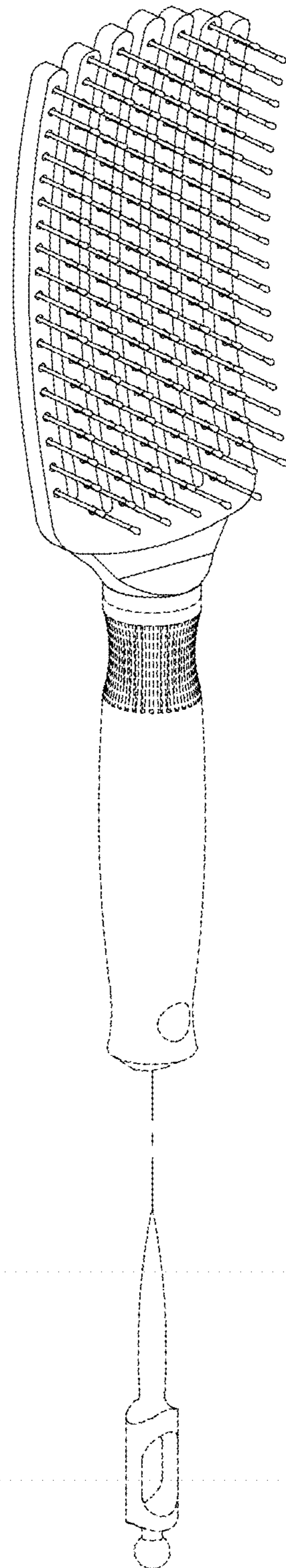


FIG. 9

