



US00D750895S

(12) **United States Design Patent**  
**Jay**

(10) **Patent No.:** **US D750,895 S**  
(45) **Date of Patent:** **\*\* Mar. 8, 2016**

(54) **COMBINED CONTAINER AND BASE FOR A TOOTHBRUSH SANITIZING DEVICE**

(71) Applicant: **Georgina Anne Jay**, Woodbridge (GB)

(72) Inventor: **Georgina Anne Jay**, Woodbridge (GB)

(\*\*) Term: **14 Years**

(21) Appl. No.: **29/501,115**

(22) Filed: **Sep. 2, 2014**

(30) **Foreign Application Priority Data**

Mar. 5, 2014 (GB) ..... 4034526

(51) **LOC (10) Cl.** ..... **04-02**

(52) **U.S. Cl.**  
USPC ..... **D4/116; D24/217**

(58) **Field of Classification Search**  
USPC ..... D4/104–118, 121, 127–133, 138, 199;  
15/114–115, 117, 121, 143.1, 160,  
15/171–172, 236.01, 236.02, 236.07,  
15/236.08, 236.09, 244.1, 244.4; D7/312,  
D7/314, 598, 601, 602, 628, 629; D9/300,  
D9/435, 440, 447, 516, 523, 572;  
D24/216–221, 231, 232; D6/528, 534;  
206/362.2  
CPC ..... A46B 17/04; A46B 17/06; A46B 17/00  
See application file for complete search history.

(56) **References Cited**

**U.S. PATENT DOCUMENTS**

D210,409 S \* 3/1968 Boldt ..... D24/217  
4,915,219 A \* 4/1990 Ottimo ..... A61L 2/18  
206/209.1  
D331,697 S \* 12/1992 Desgrippes ..... D4/116  
6,237,180 B1 \* 5/2001 Viego ..... A46B 17/00

15/257.01  
D456,609 S \* 5/2002 Blom ..... D4/116  
D468,639 S \* 1/2003 Wennerstrom ..... D9/447  
D484,355 S \* 12/2003 De Gooijer ..... D7/312  
D535,105 S \* 1/2007 Chen ..... D4/116  
D553,417 S \* 10/2007 Schreitmuller ..... D7/306  
D563,222 S \* 3/2008 Yamanaka ..... D9/447  
D565,845 S \* 4/2008 Paulsen ..... D4/113  
D573,263 S \* 7/2008 Pinsky ..... D24/217  
D616,204 S \* 5/2010 Zemel ..... D4/114  
D618,062 S \* 6/2010 Jossem ..... D7/598  
D619,853 S \* 7/2010 Saravis ..... D7/598  
D661,582 S \* 6/2012 Gatrost ..... D9/447  
D717,967 S \* 11/2014 Durant ..... D24/217  
D730,186 S \* 5/2015 Basa ..... D9/447  
D730,189 S \* 5/2015 Haile ..... D4/116  
2009/0189084 A1 \* 7/2009 Pinsky ..... A46B 17/06  
250/455.11

\* cited by examiner

*Primary Examiner* — Cynthia Ramirez

*Assistant Examiner* — Llorellys Martinez-Rivera

(74) *Attorney, Agent, or Firm* — Bernhard P. Molldrem, Jr.

(57) **CLAIM**

The ornamental design for a combined container and base for a toothbrush sanitizing device, as shown and described.

**DESCRIPTION**

FIG. 1 is an upper, front and right side perspective view of a combined container and base for a toothbrush sanitizing device, showing my new design.

FIG. 2 is an lower rear right-side perspective view thereof.

FIG. 3 is a right side elevational view thereof.

FIG. 4 is a rear elevational view thereof.

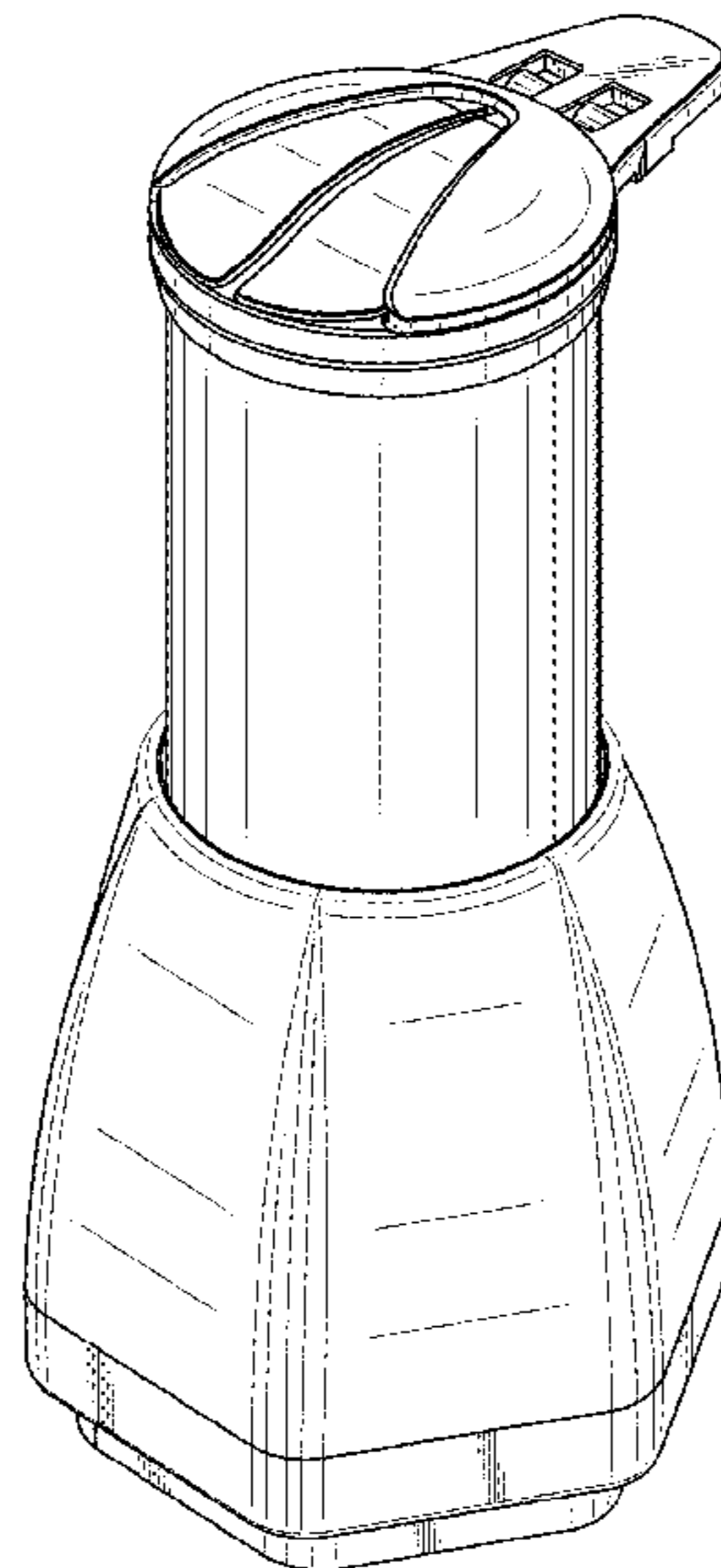
FIG. 5 is a left side elevational view thereof.

FIG. 6 is a front elevational view thereof.

FIG. 7 is a top plan view thereof; and,

FIG. 8 is a bottom view thereof.

**1 Claim, 4 Drawing Sheets**



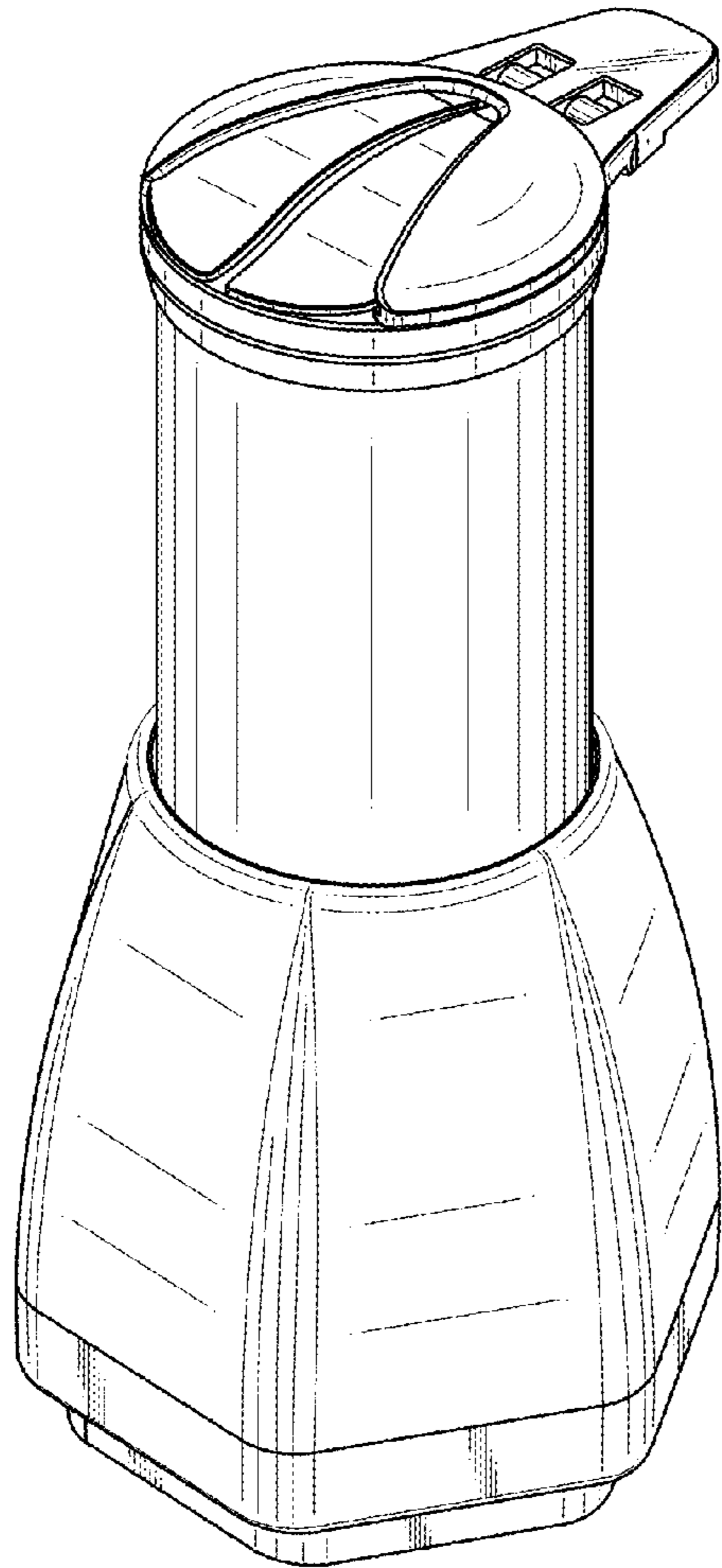


FIG.1

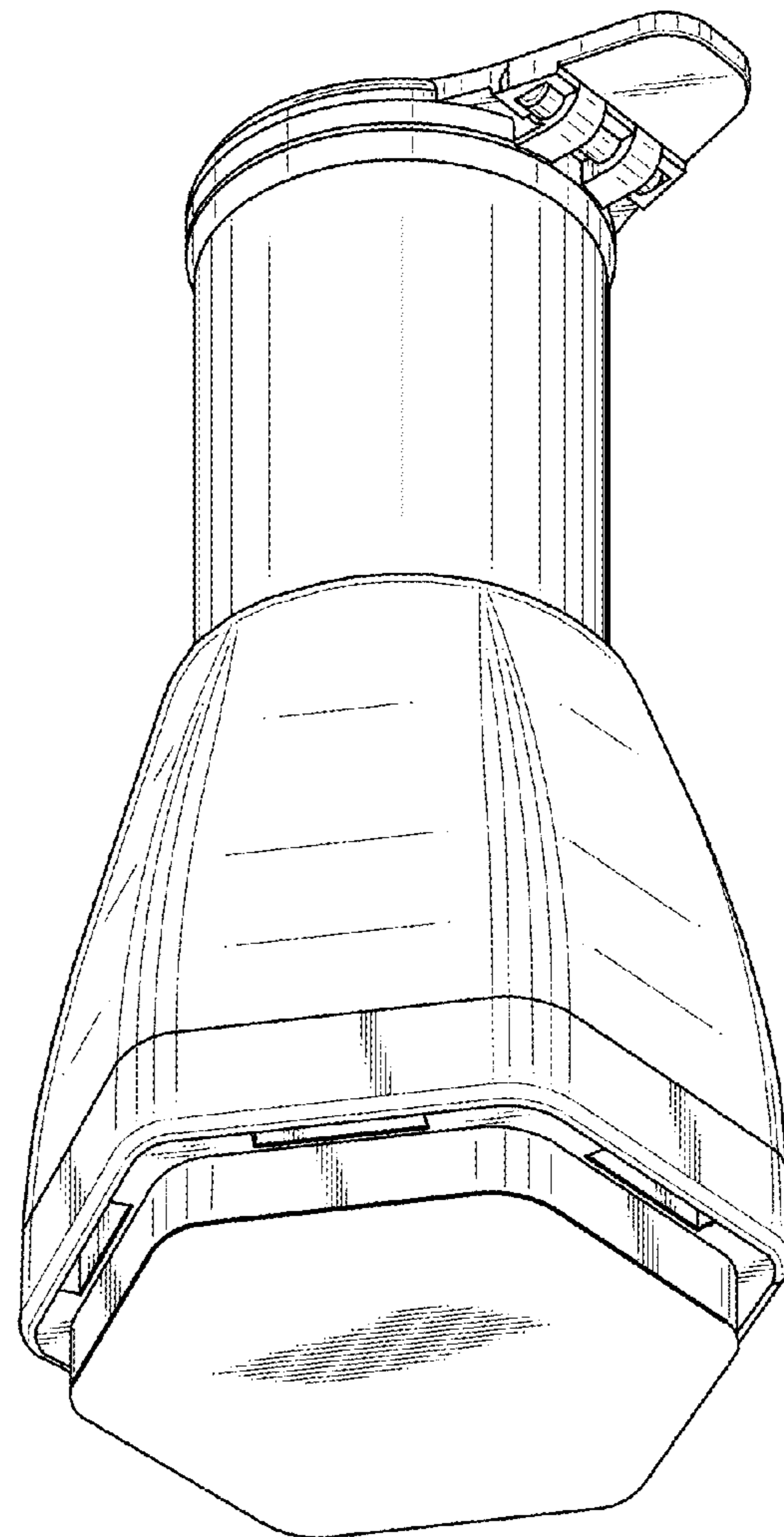


FIG.2

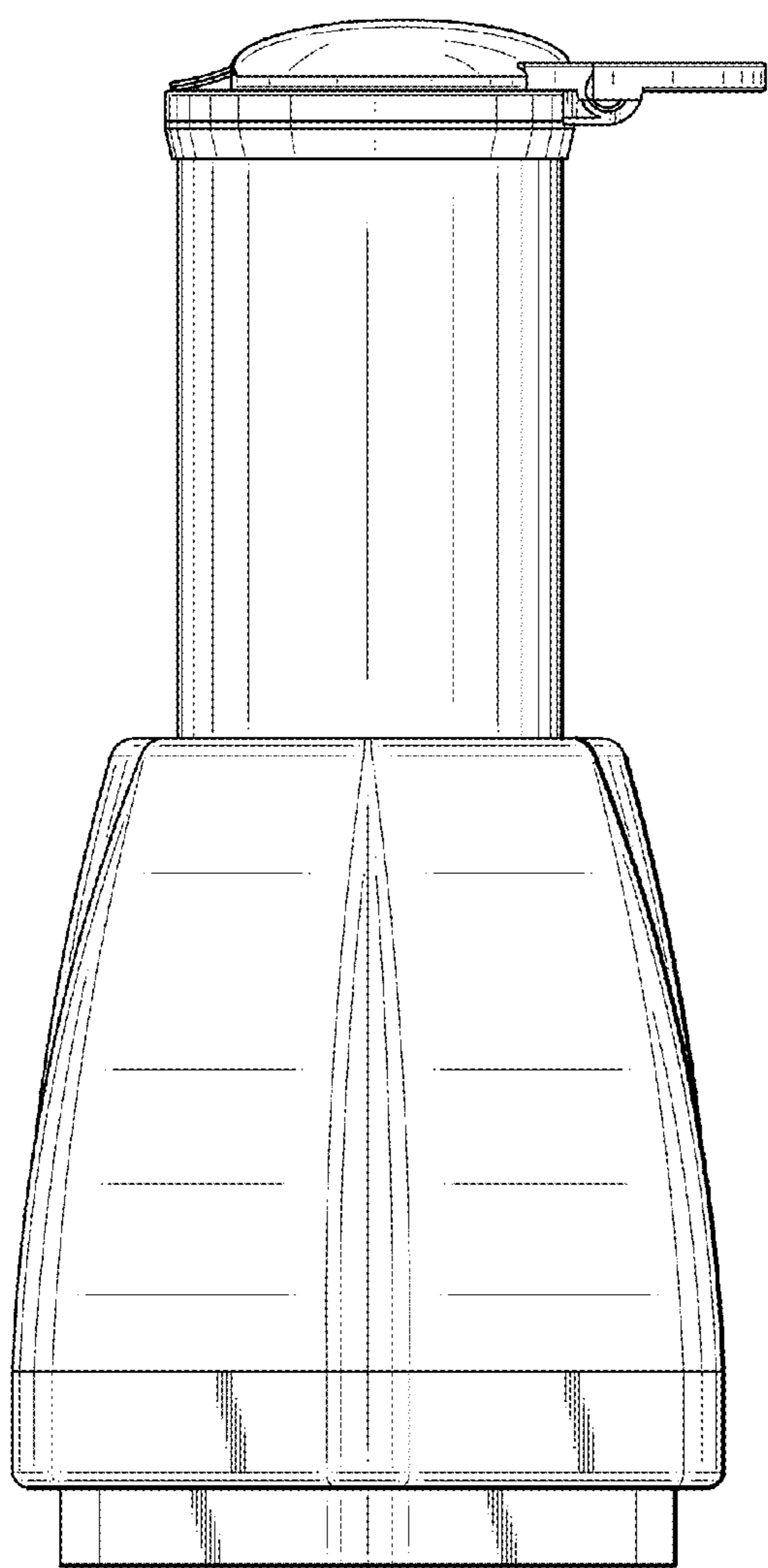


FIG.3

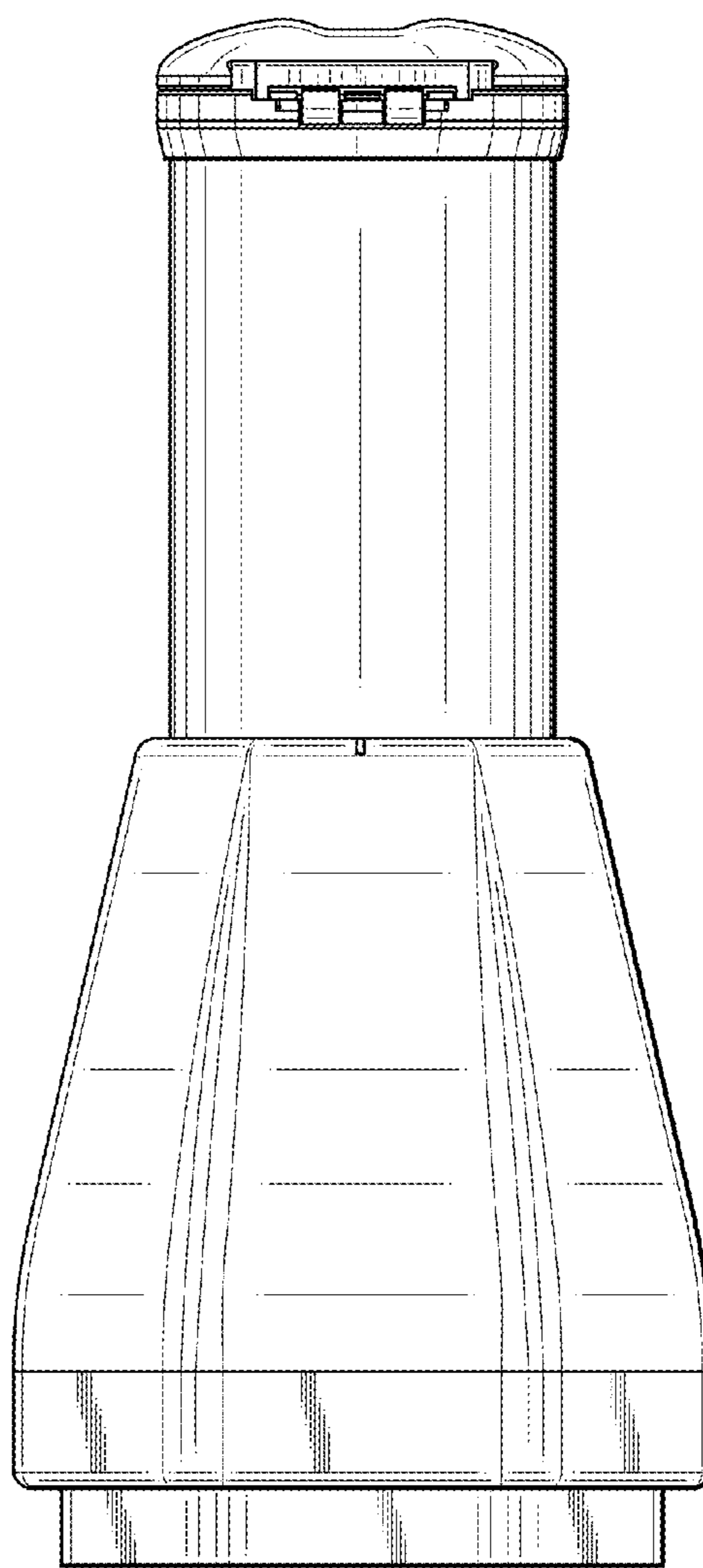


FIG.4

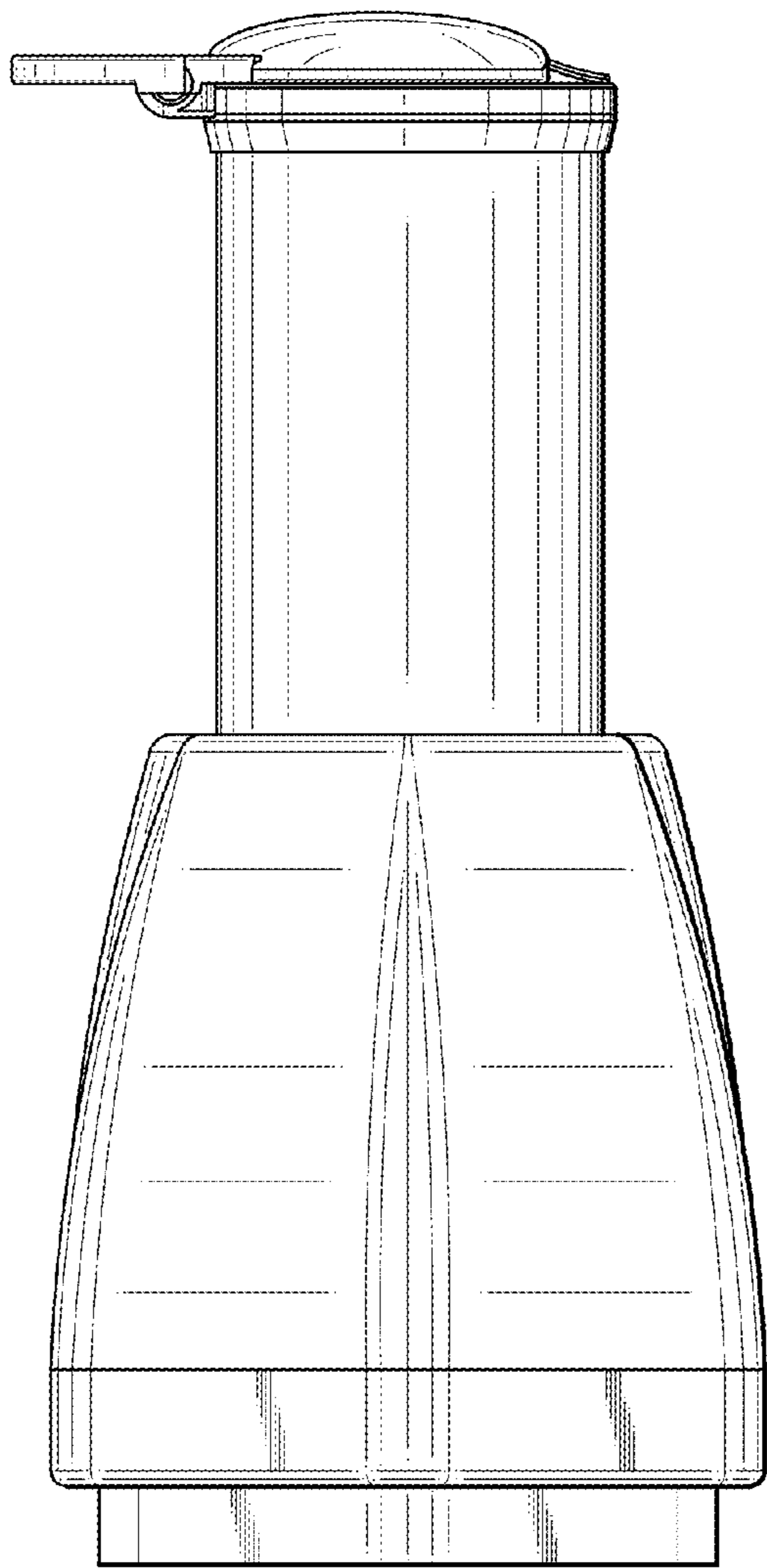


FIG. 5

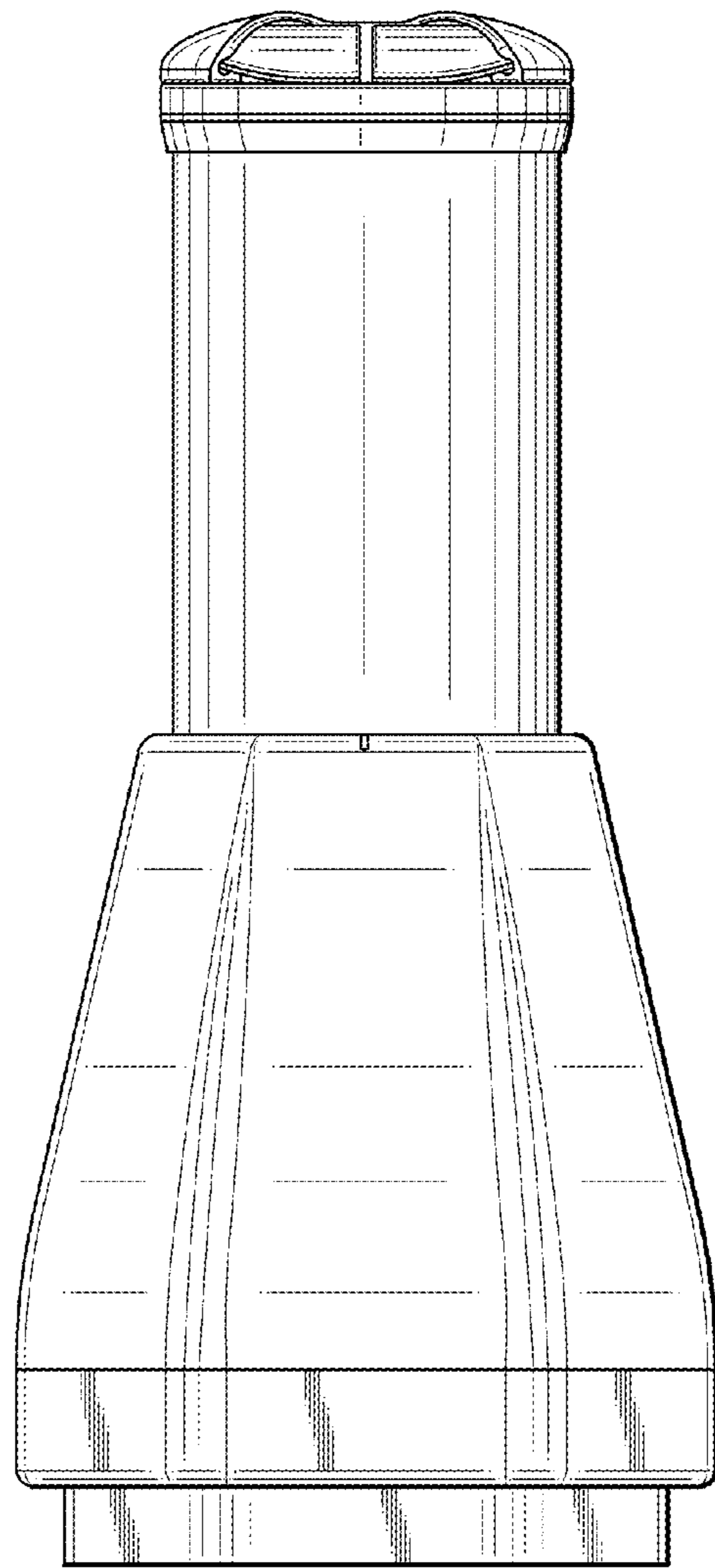


FIG. 6

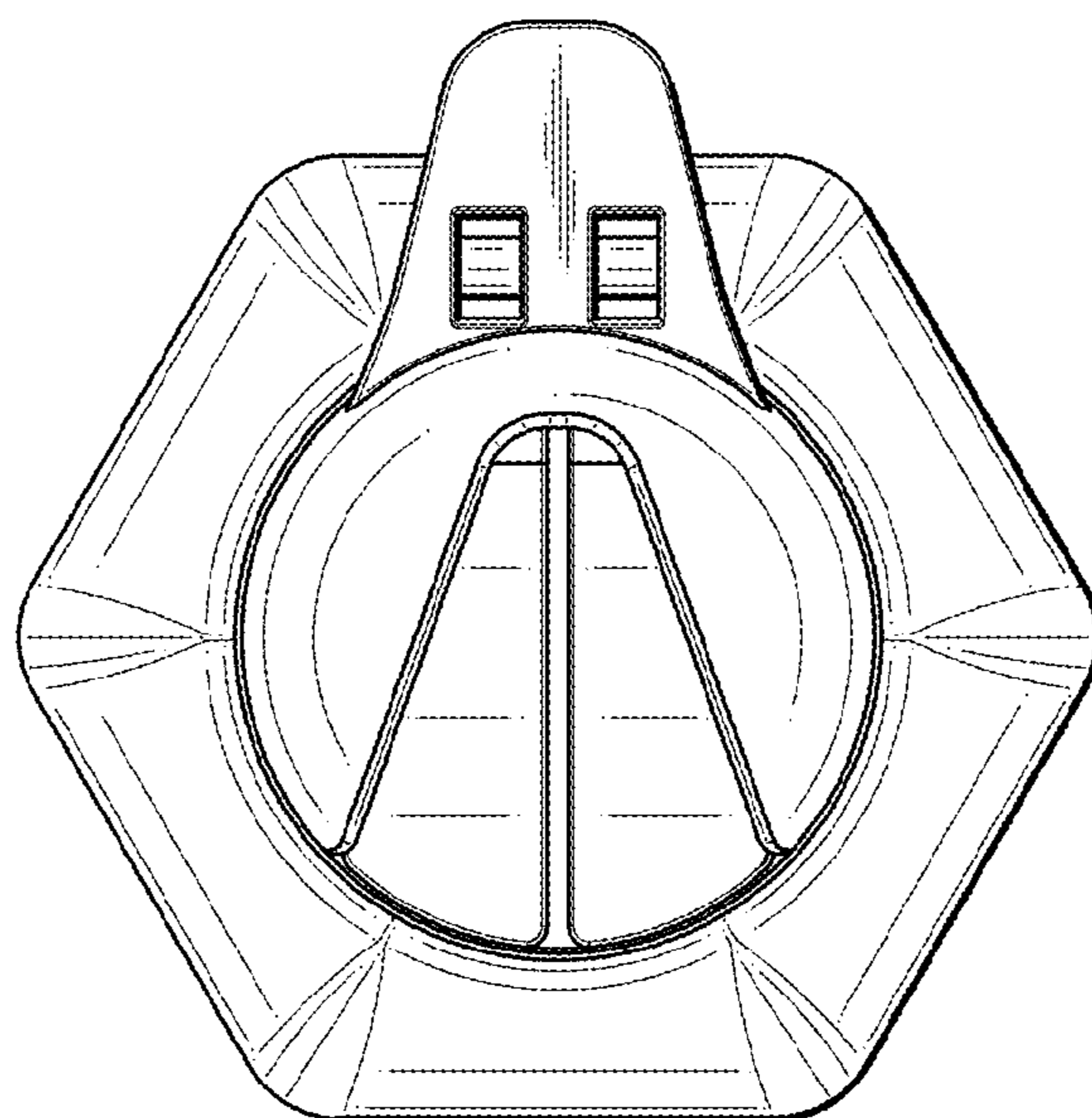


FIG. 7

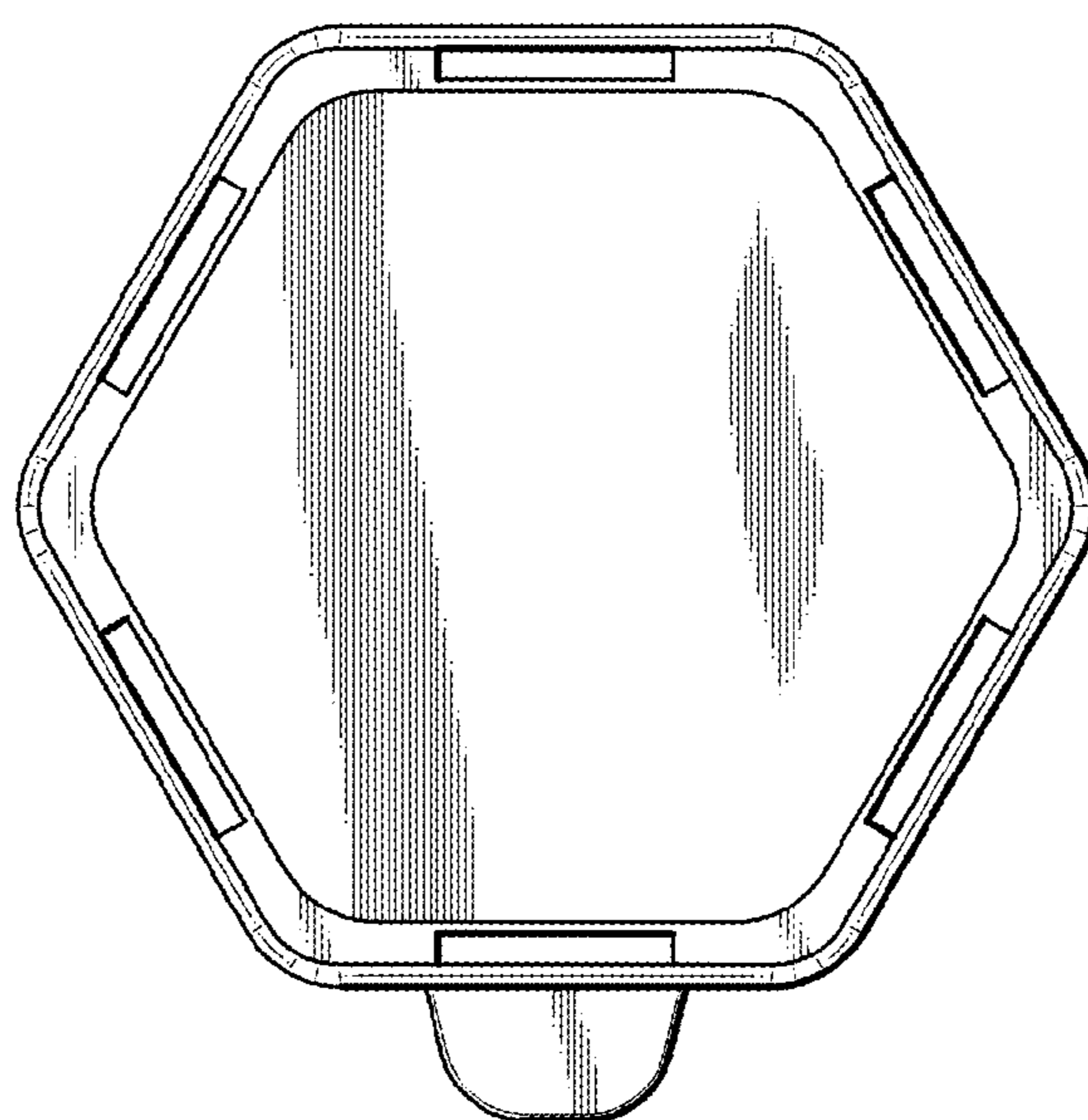


FIG. 8