

US00D750894S

(12) **United States Design Patent**
Huy

(10) **Patent No.:** **US D750,894 S**

(45) **Date of Patent:** **** Mar. 8, 2016**

(54) **TONGUE CLEANER**

(71) Applicant: **Church & Dwight Co., Inc.**, Ewing, NJ (US)

(72) Inventor: **Gerhart P. Huy**, Hamilton Square, NJ (US)

(73) Assignee: **Church & Dwight Co., Inc.**, Princeton, NJ (US)

(**) Term: **14 Years**

(21) Appl. No.: **29/495,309**

(22) Filed: **Jun. 30, 2014**

(51) **LOC (10) Cl.** **04-02**

(52) **U.S. Cl.**
USPC **D4/108**

(58) **Field of Classification Search**
USPC D4/100-102, 104-113; D24/152, 176;
15/167.1-167.2; 32/308-311
CPC .. A45D 44/18; A46B 5/0095; A46B 15/0055;
A46B 15/0071; A46B 15/0081; A46B
15/0087; A46B 17/04; A46B 2200/1066;
A46D 1/10; A61C 15/048; A61C 17/34;
A61C 17/222

See application file for complete search history.

(56) **References Cited**

U.S. PATENT DOCUMENTS

1,861,347 A	5/1932	Johnson	
2,244,699 A	6/1941	Hosey	
D136,631 S *	11/1943	Bernard et al.	15/167.1
2,684,063 A	7/1954	Bileth	
3,633,237 A	1/1972	Bagube	

D432,648 S *	10/2000	Stromblad	D24/119
D480,562 S *	10/2003	Saindon	D4/104
D518,915 S *	4/2006	Angeletta	D28/7
D609,013 S *	2/2010	Kling	D4/108
D612,611 S *	3/2010	Brown, Jr.	D4/101
D658,886 S *	5/2012	Jin	D4/104
D671,746 S *	12/2012	Lee	D4/108
D678,680 S *	3/2013	Xi	D4/108
D686,826 S *	7/2013	Lee	D4/108
D713,151 S *	9/2014	Jimenez	D4/104
D722,772 S *	2/2015	Lee	D4/108

* cited by examiner

Primary Examiner — Keli L Hill

(74) *Attorney, Agent, or Firm* — Fishman & Associates, LLC

(57) **CLAIM**

I claim the ornamental design for tongue cleaner, as shown and described.

DESCRIPTION

FIG. 1 is a top plan view of a tongue cleaner showing our new design;
 FIG. 2 is a side elevational view thereof, the opposite side elevational view being identical thereto;
 FIG. 3 is a top, side perspective view thereof;
 FIG. 4 is a top plan view of a second embodiment of a tongue cleaner showing our new design;
 FIG. 5 is a side elevational view thereof, the opposite side elevational view being identical thereto; and,
 FIG. 6 is a top, side perspective view thereof.
 The broken lines shown are included for the purpose of illustrating portions of the tongue cleaner that form no part of the claim.

1 Claim, 2 Drawing Sheets

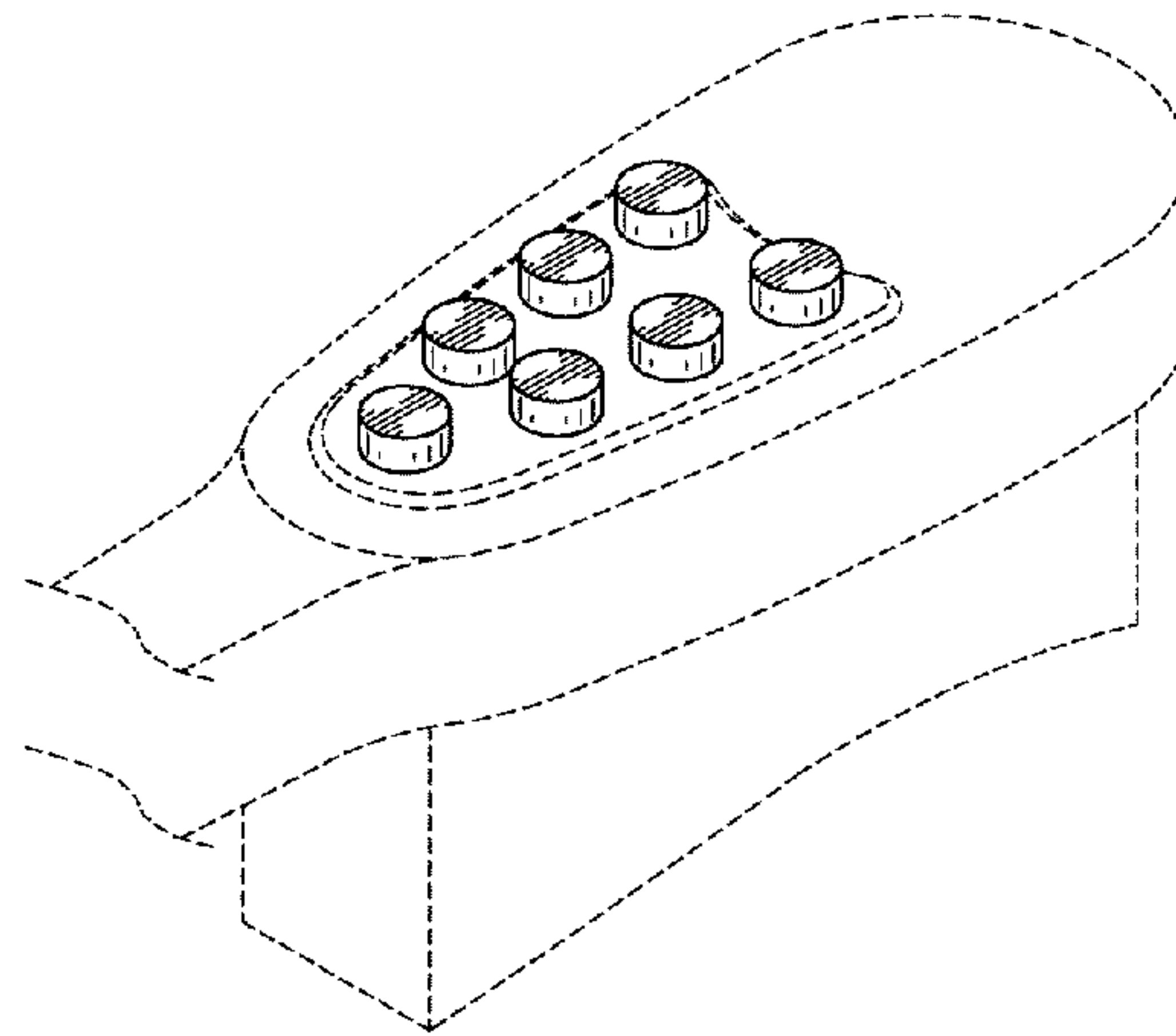
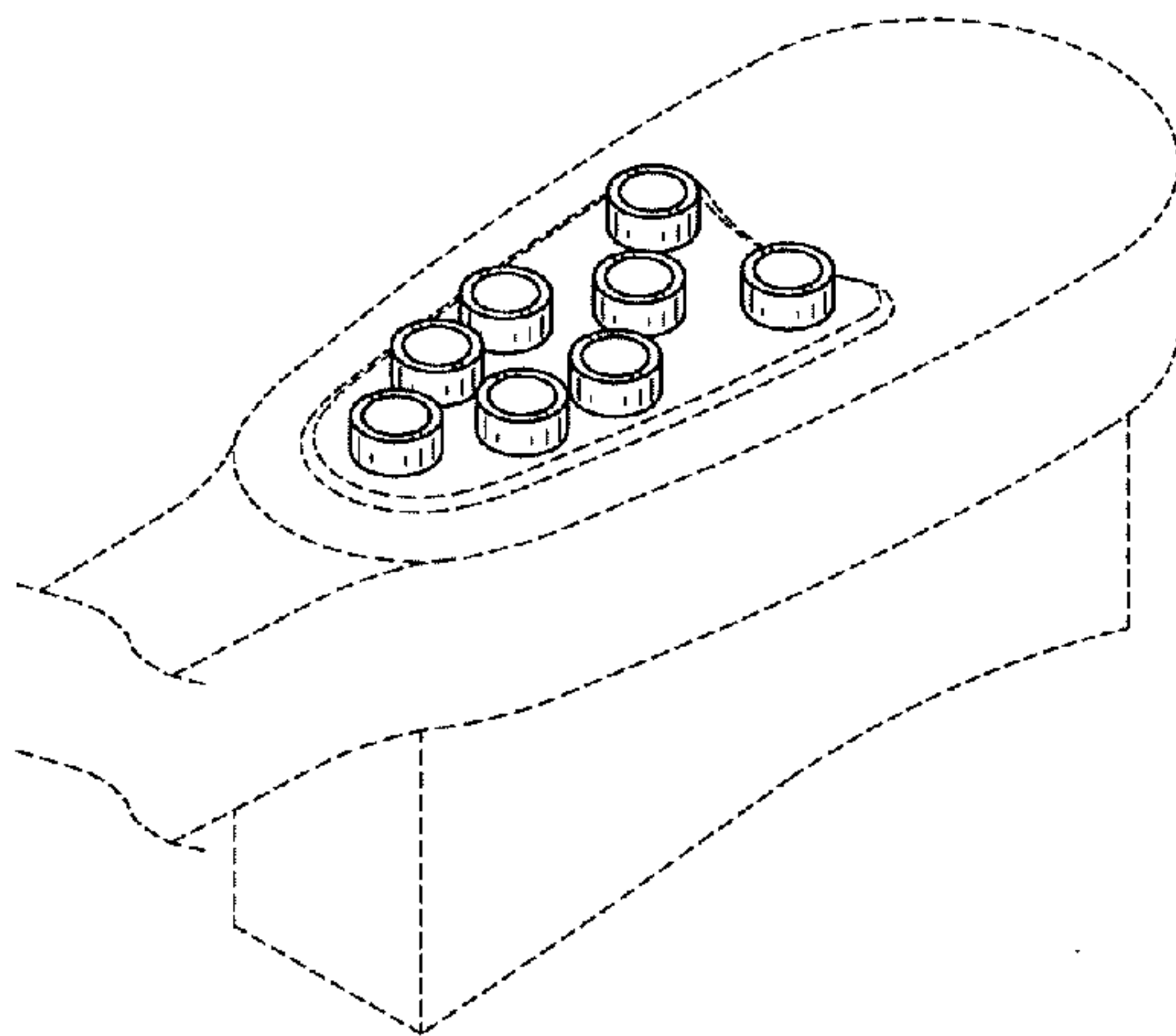


Fig. 1

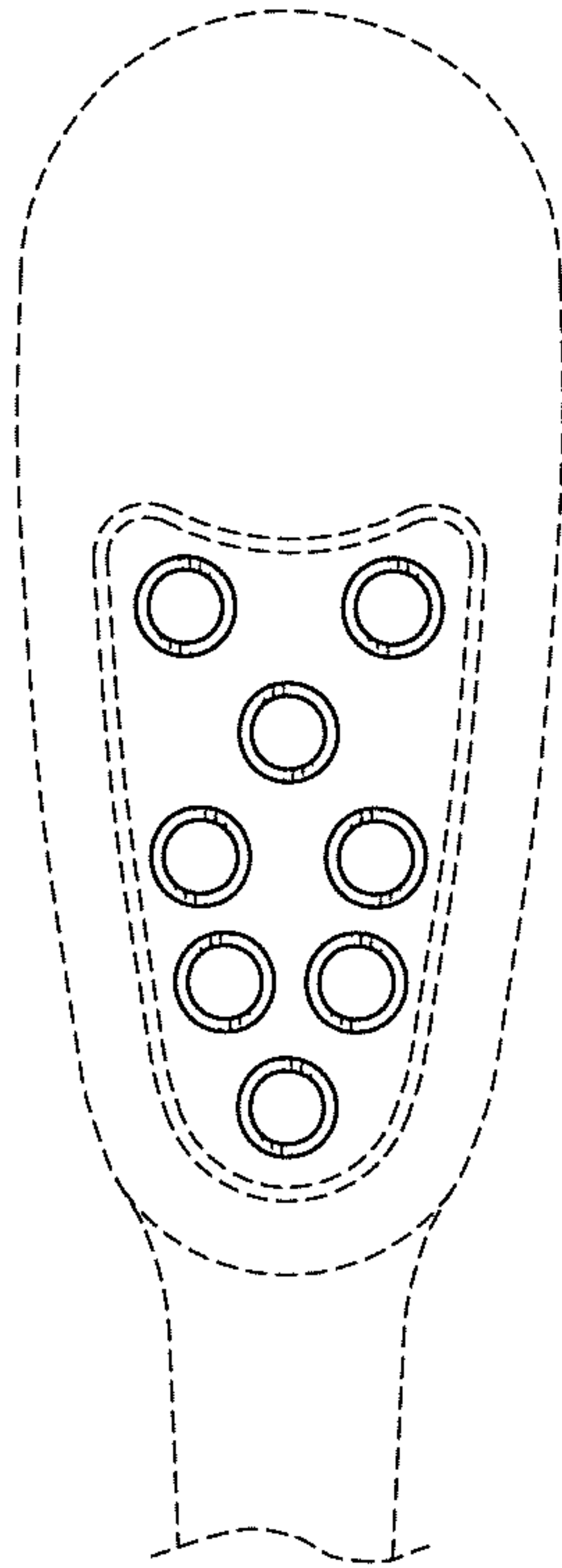


Fig. 2

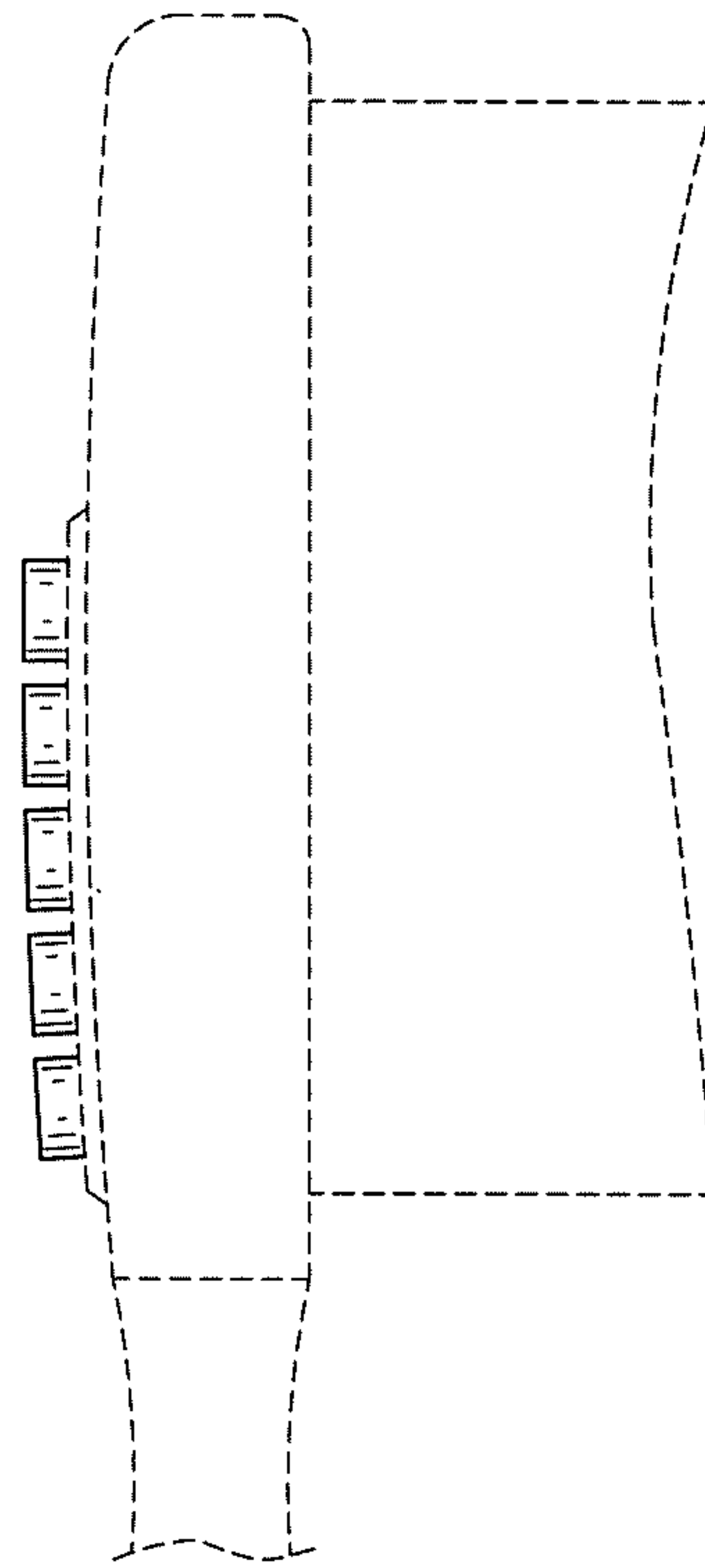


Fig. 3

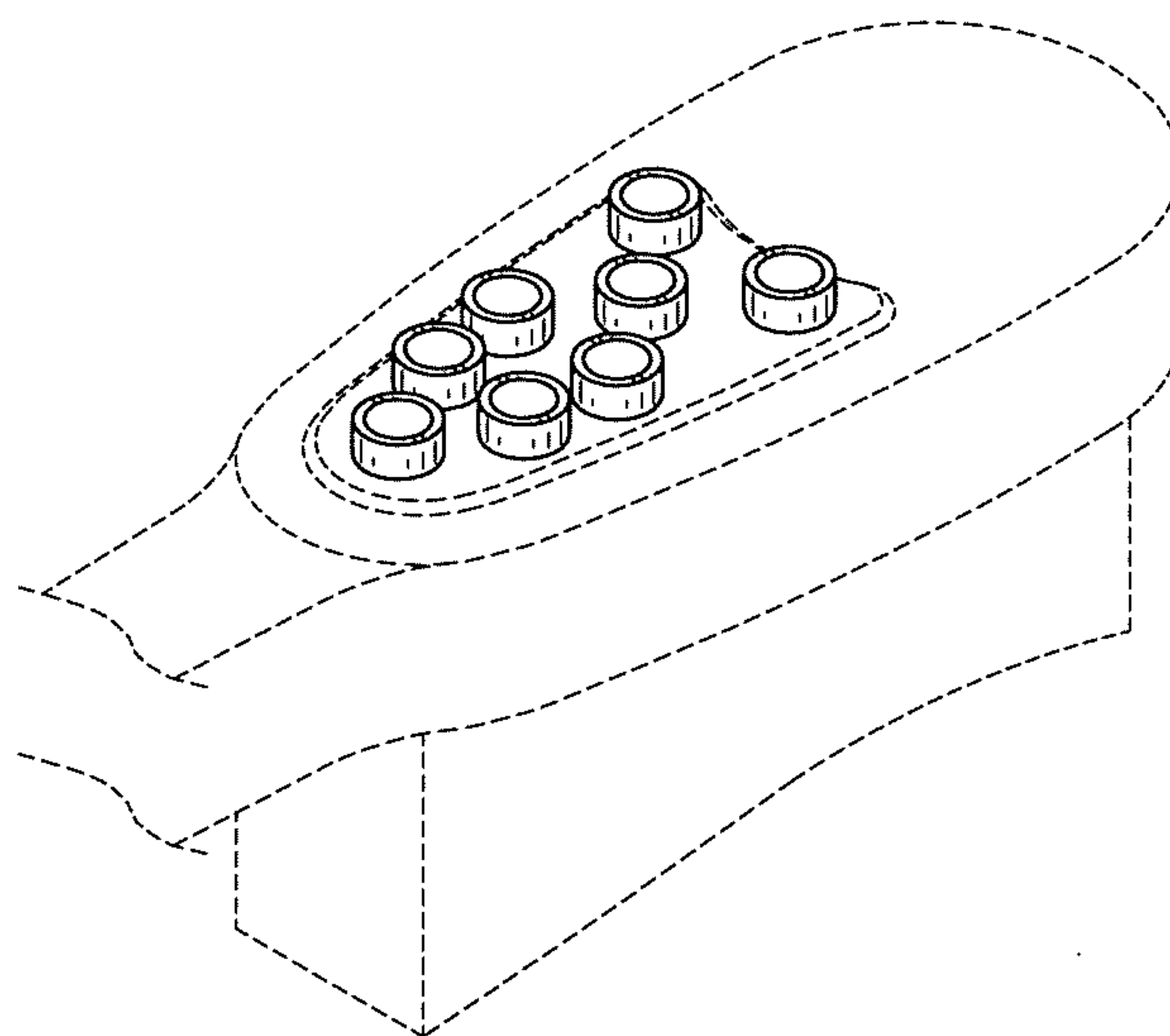


Fig. 4

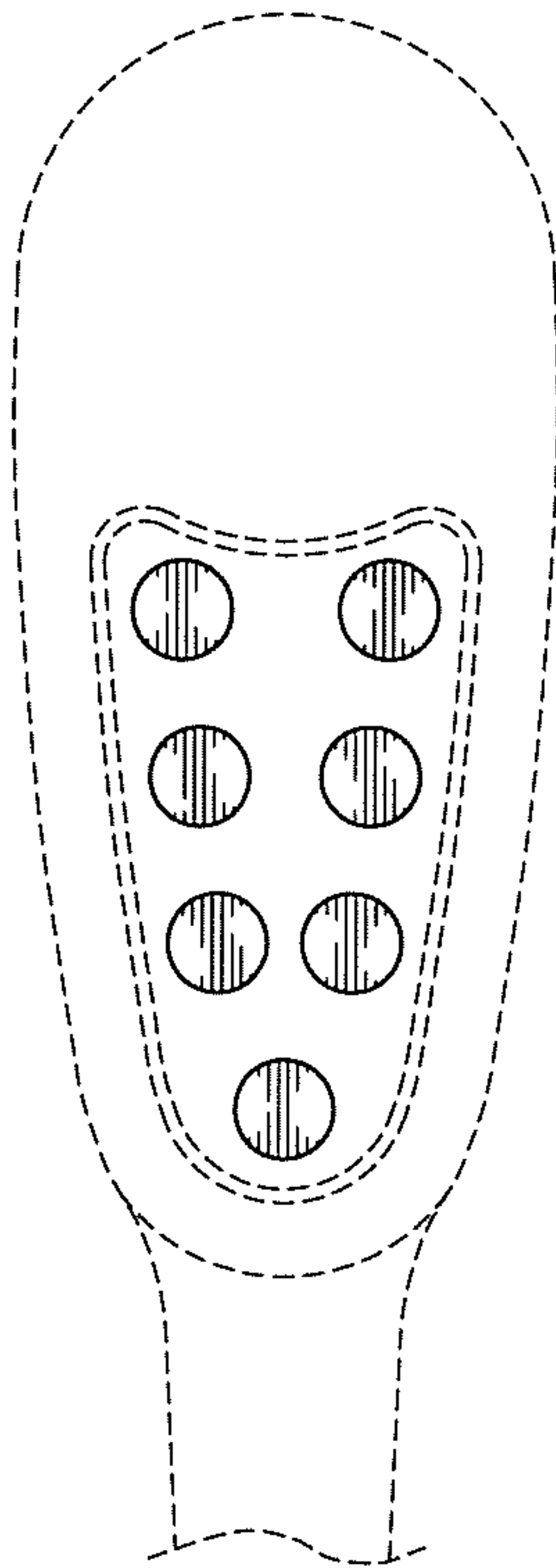


Fig. 5

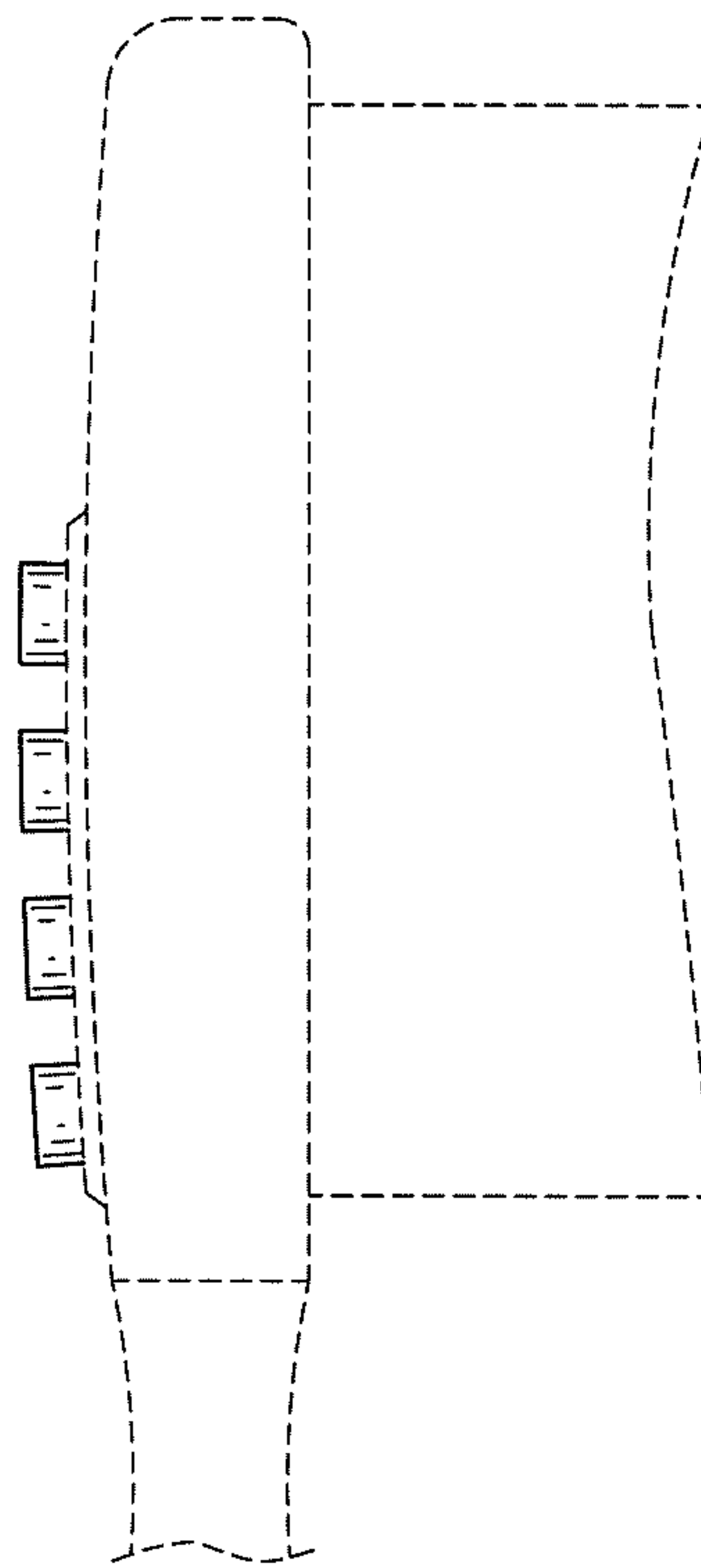


Fig. 6

