



US00D750892S

(12) **United States Design Patent**
Rego

(10) **Patent No.:** **US D750,892 S**
(45) **Date of Patent:** **** Mar. 8, 2016**

(54) **MODULAR TRAY ORGANIZER**
(71) Applicant: **Compadre LLC**, Austin, TX (US)
(72) Inventor: **Luis Felipe Rego**, Austin, TX (US)
(73) Assignee: **PERENNIAL DESIGN, LLC**, Austin, TX (US)
(**) Term: **14 Years**

D539,036 S * 3/2007 Potts D12/425
D596,902 S * 7/2009 Hrovat D7/550.1
D610,001 S * 2/2010 McAlpine D3/297
8,579,124 B2 * 11/2013 Ferry B65D 5/0015
211/126.16
D712,153 S * 9/2014 Lee D3/313
D727,153 S * 4/2015 Kwak D9/456
D740,134 S * 10/2015 Brinda D9/456
2008/0258593 A1 * 10/2008 Berger A47B 88/20
312/348.3
2014/0306001 A1 * 10/2014 Steiner B65D 5/20
229/165

(21) Appl. No.: **29/503,479**
(22) Filed: **Sep. 26, 2014**

* cited by examiner

(30) **Foreign Application Priority Data**
Mar. 27, 2014 (MX) MX/a/2014/00986
(51) **LOC (10) Cl.** **03-01**
(52) **U.S. Cl.**
USPC **D3/305**
(58) **Field of Classification Search**
USPC D6/672, 675; D3/304-305, 308, 313;
D19/75-78, 86; D9/424-425
CPC B65D 5/326; B65D 5/327
See application file for complete search history.

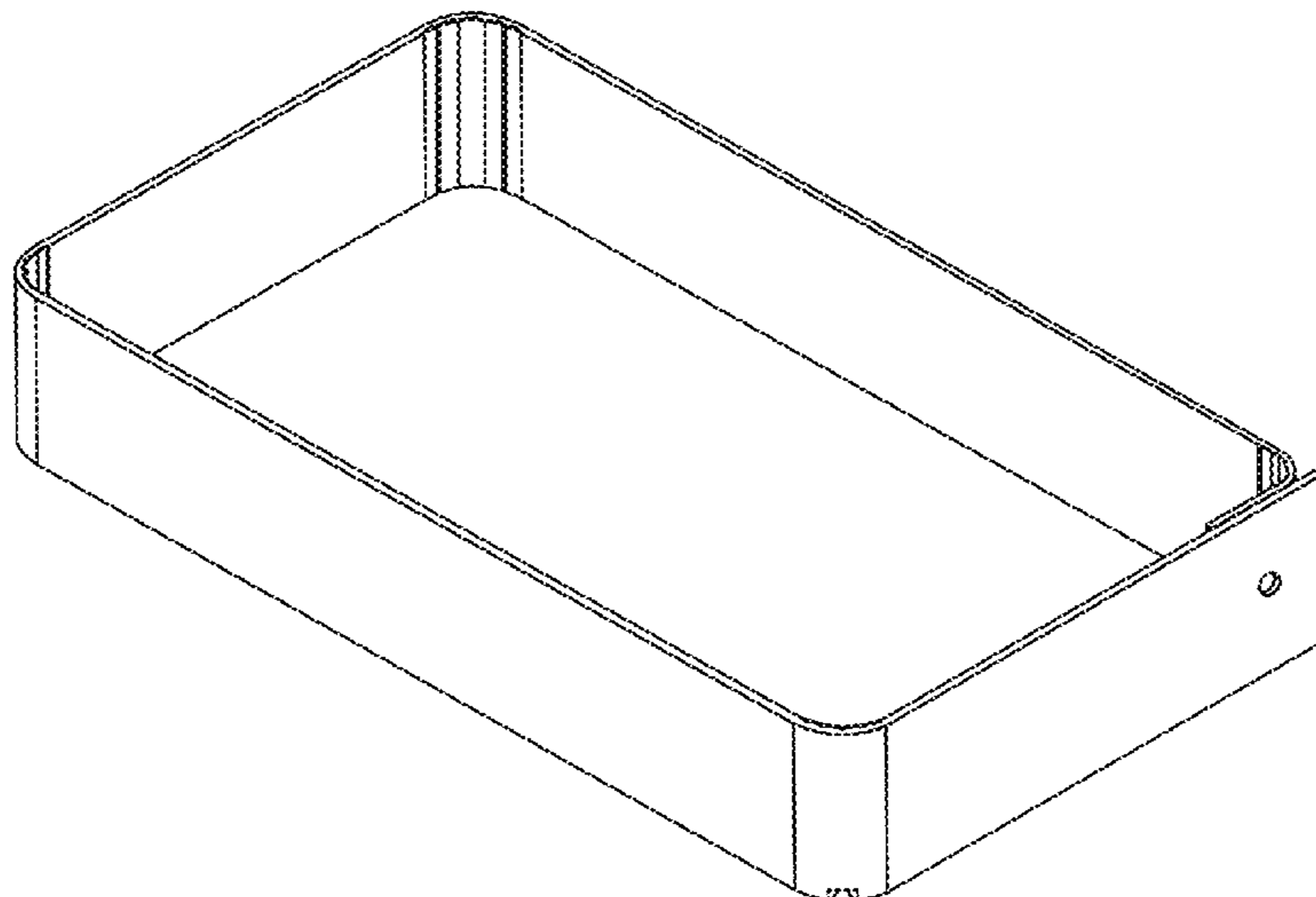
Primary Examiner — Kelley Donnelly
(74) *Attorney, Agent, or Firm* — DuBois, Bryant & Campbell LLP; William D. Wiese

(56) **References Cited**
U.S. PATENT DOCUMENTS
4,184,602 A * 1/1980 Moliard B65D 21/08
160/229.1
D292,743 S * 11/1987 Hung 206/832
D361,892 S * 9/1995 Quaintance D3/305
D371,908 S * 7/1996 Umiker D3/305
D455,265 S * 4/2002 Smith D3/304
D455,979 S * 4/2002 Salenger D11/155
D460,691 S * 7/2002 Morris D9/456
D512,836 S * 12/2005 Marnell, II D3/313

(57) **CLAIM**
The design for a modular tray organizer, as shown and described.

DESCRIPTION
FIG. 1 is a perspective view of the modular tray organizer;
FIG. 2 is a top view thereof;
FIG. 3 is a back view thereof;
FIG. 4 is a longitudinal side view of the lower frame thereof;
FIG. 5 is a top isometric view of the bottom frame thereof;
FIG. 6 is a top view of the lower part of the structure for product transportation and protection;
FIG. 7 is a front view thereof;
FIG. 8 is a side view thereof;
FIG. 9 is a front top view of a second embodiment thereof;
FIG. 10 is a front top view of a third embodiment thereof;
FIG. 11 is a front top view of a fourth embodiment thereof;
and,
FIG. 12 is a front top view of a fifth embodiment thereof.

1 Claim, 12 Drawing Sheets



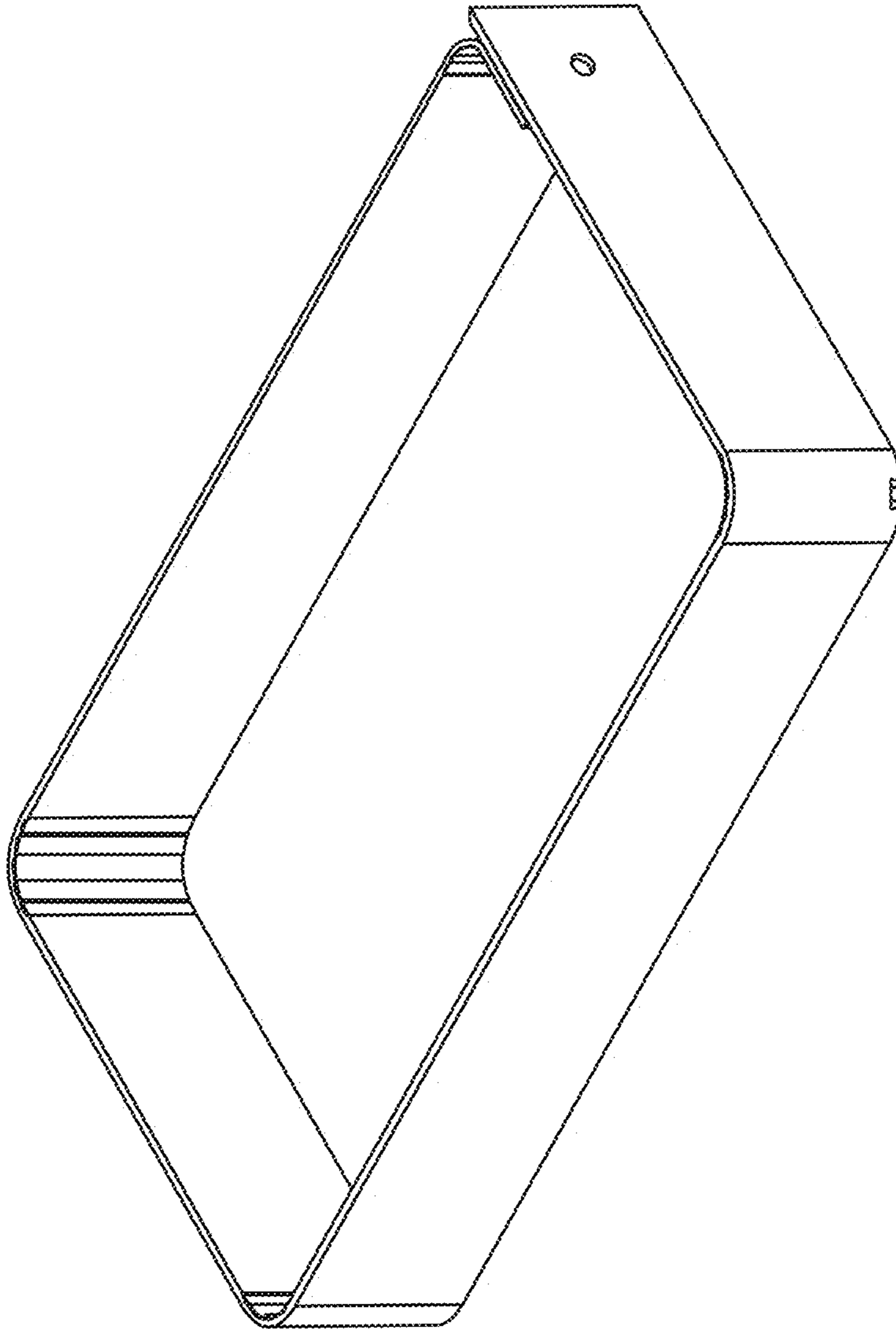


FIG. 1

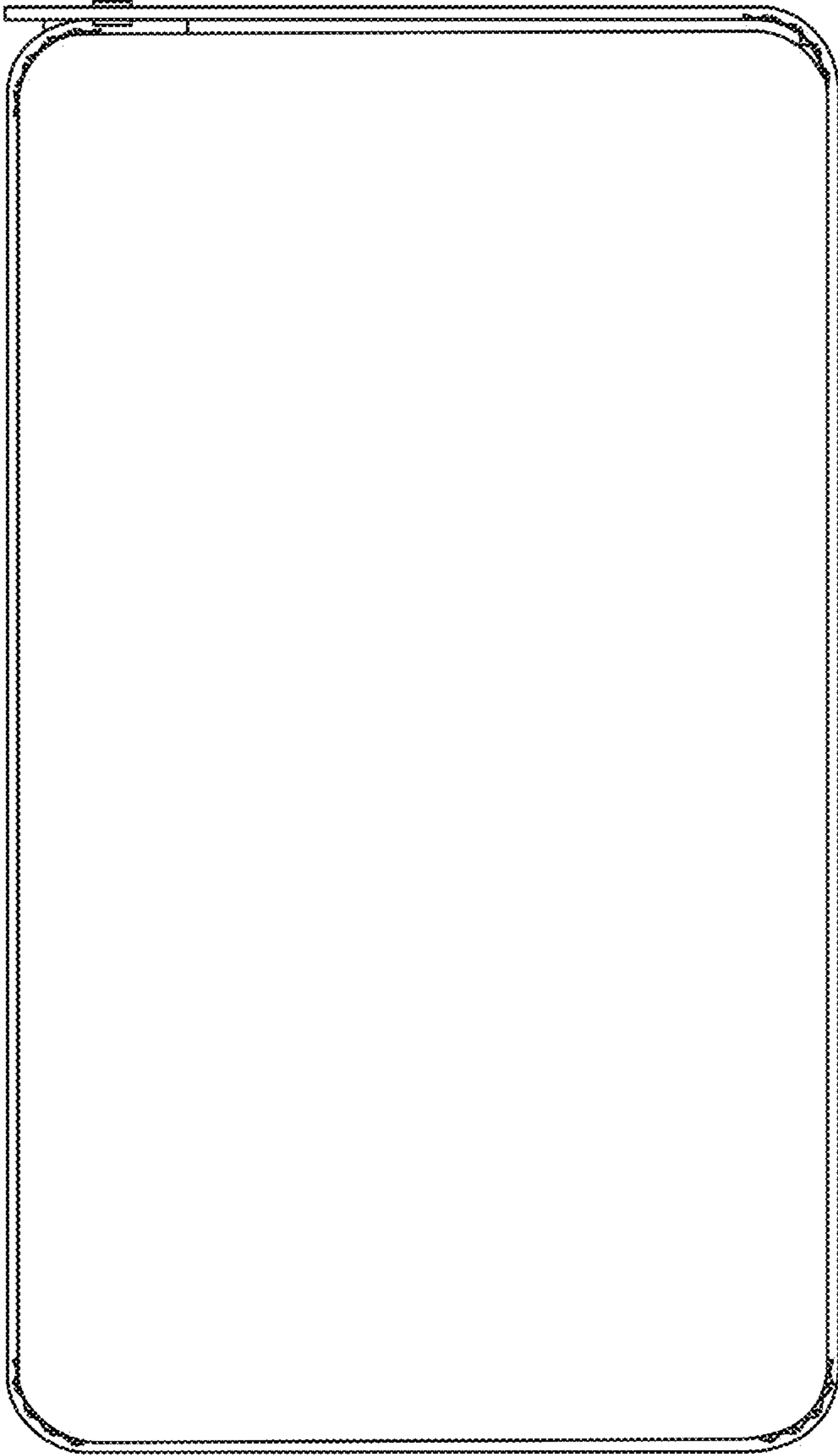


FIG. 2

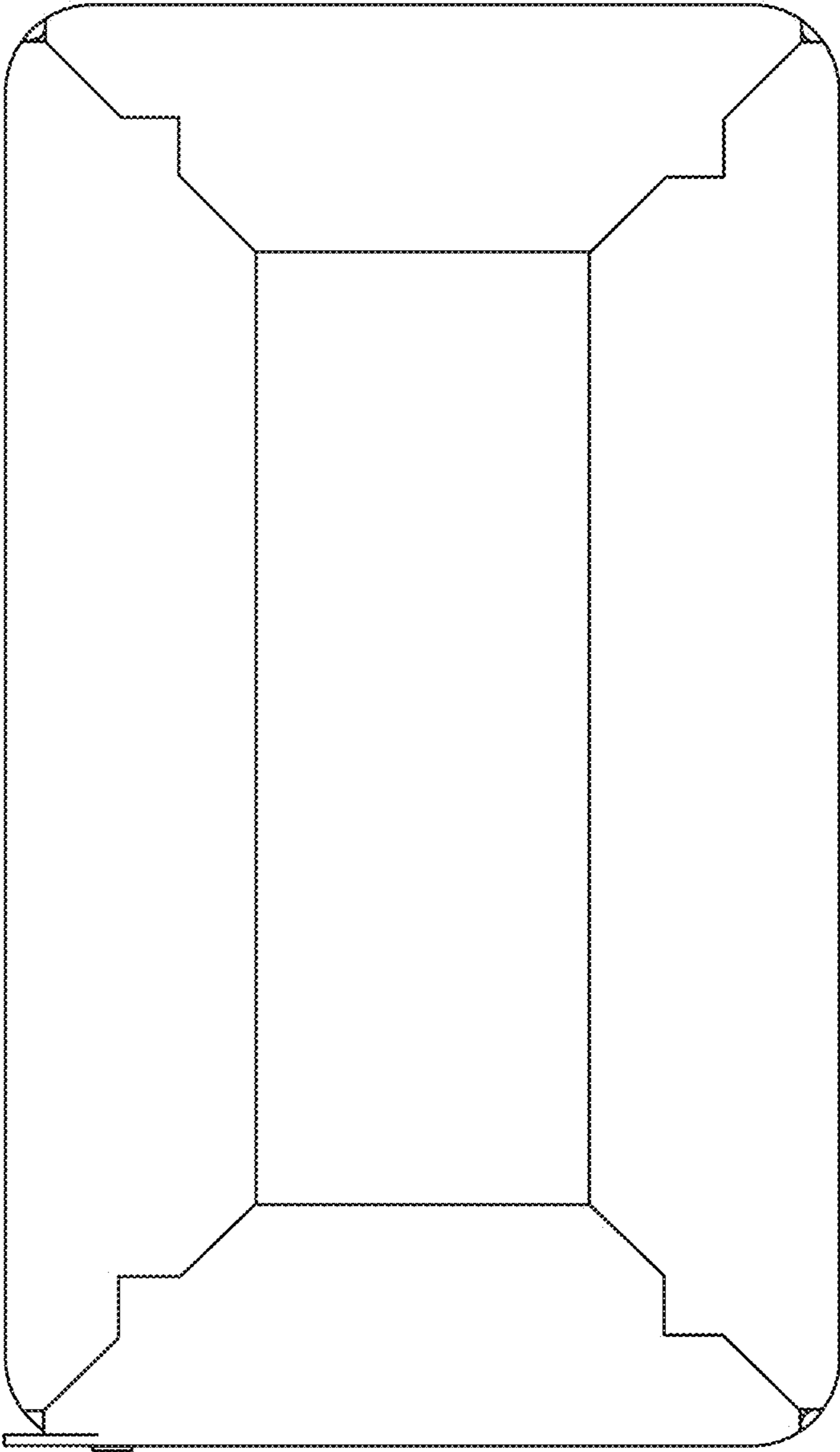


FIG. 3



FIG. 4

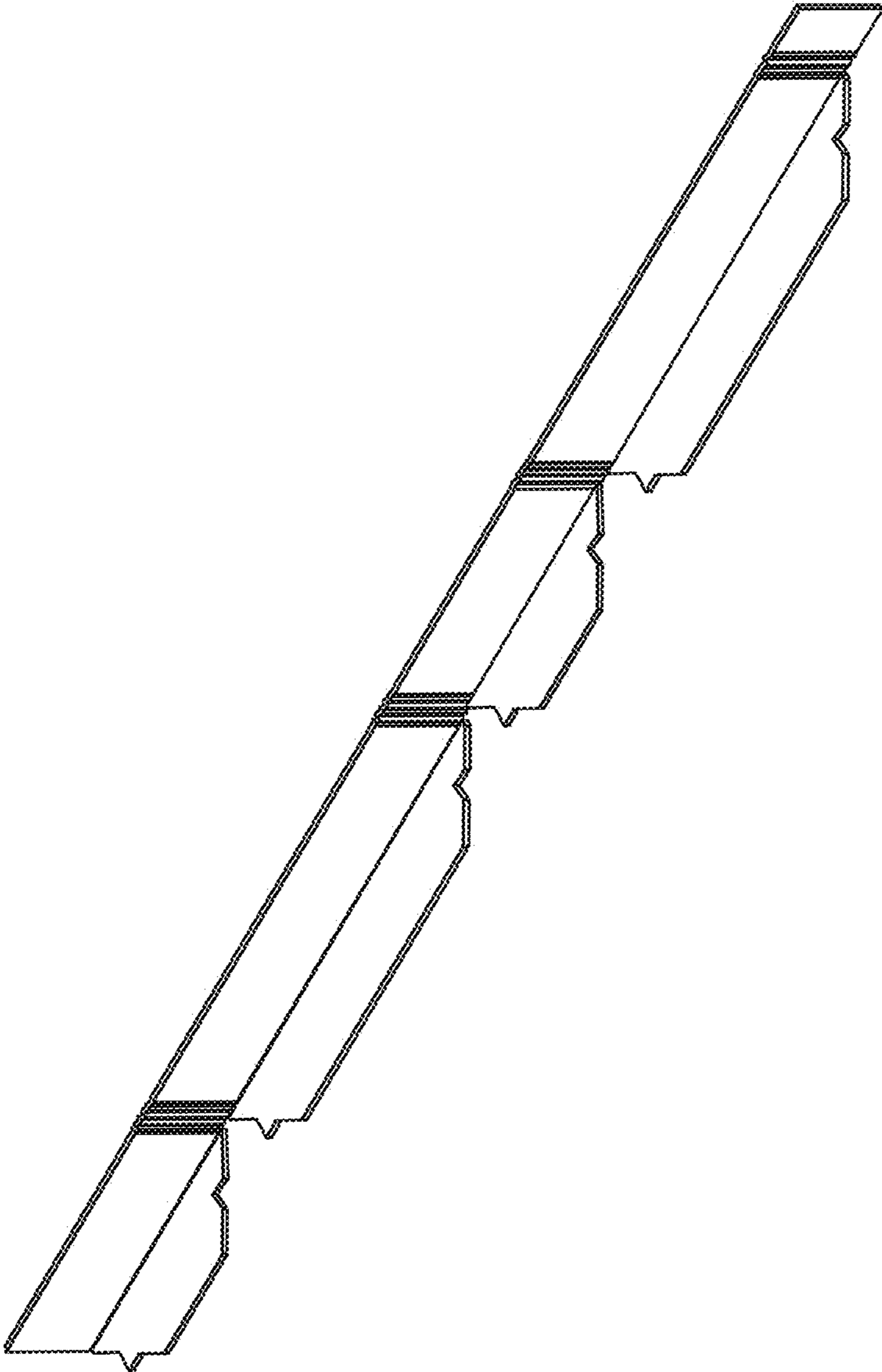


FIG. 5

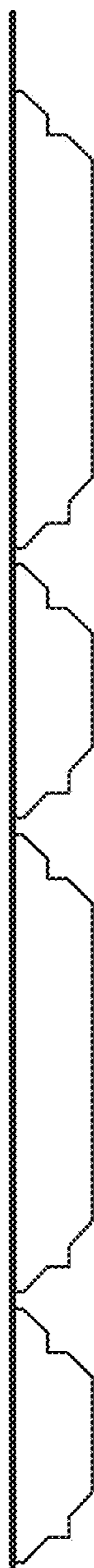


FIG. 6

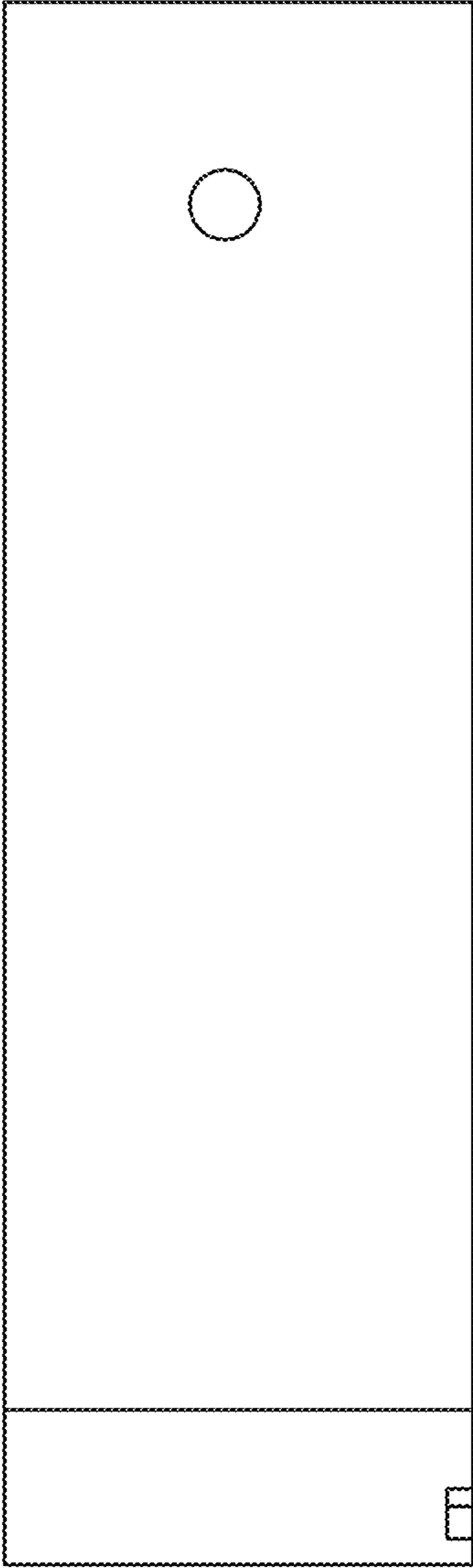


FIG. 7

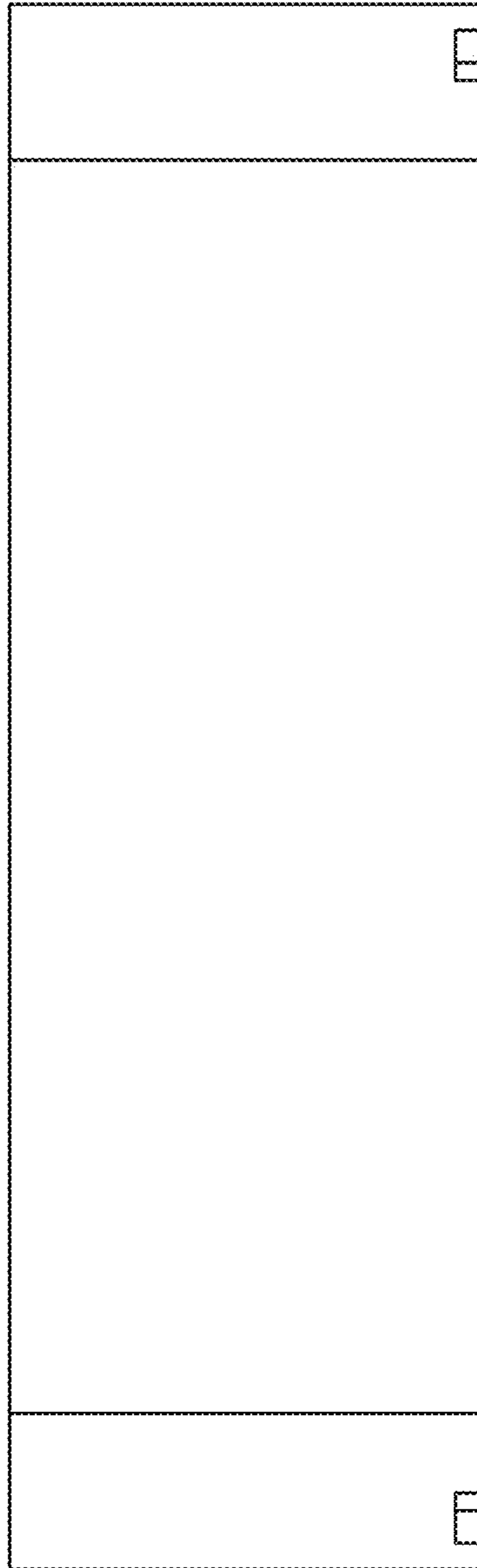


FIG. 8

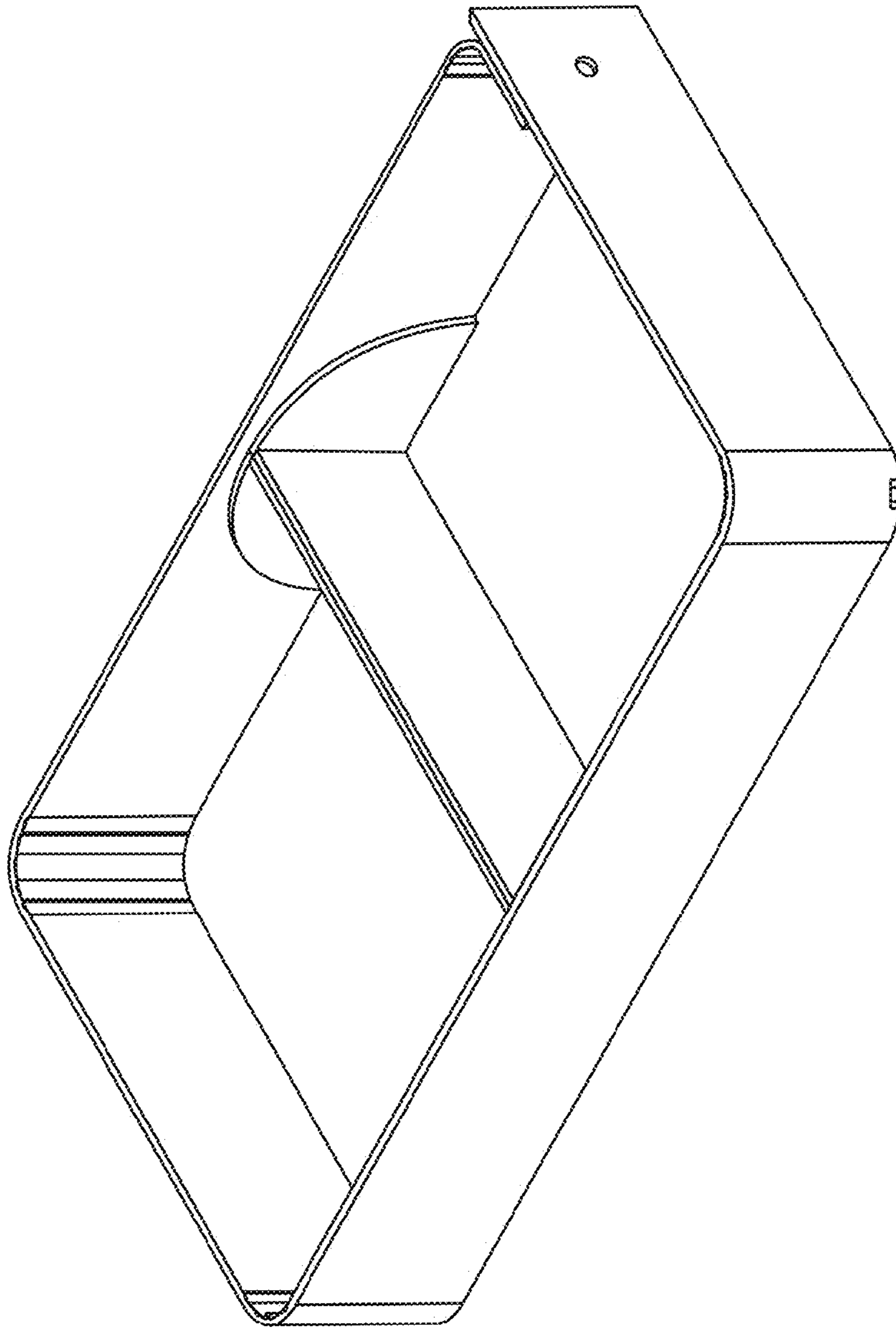


FIG. 9

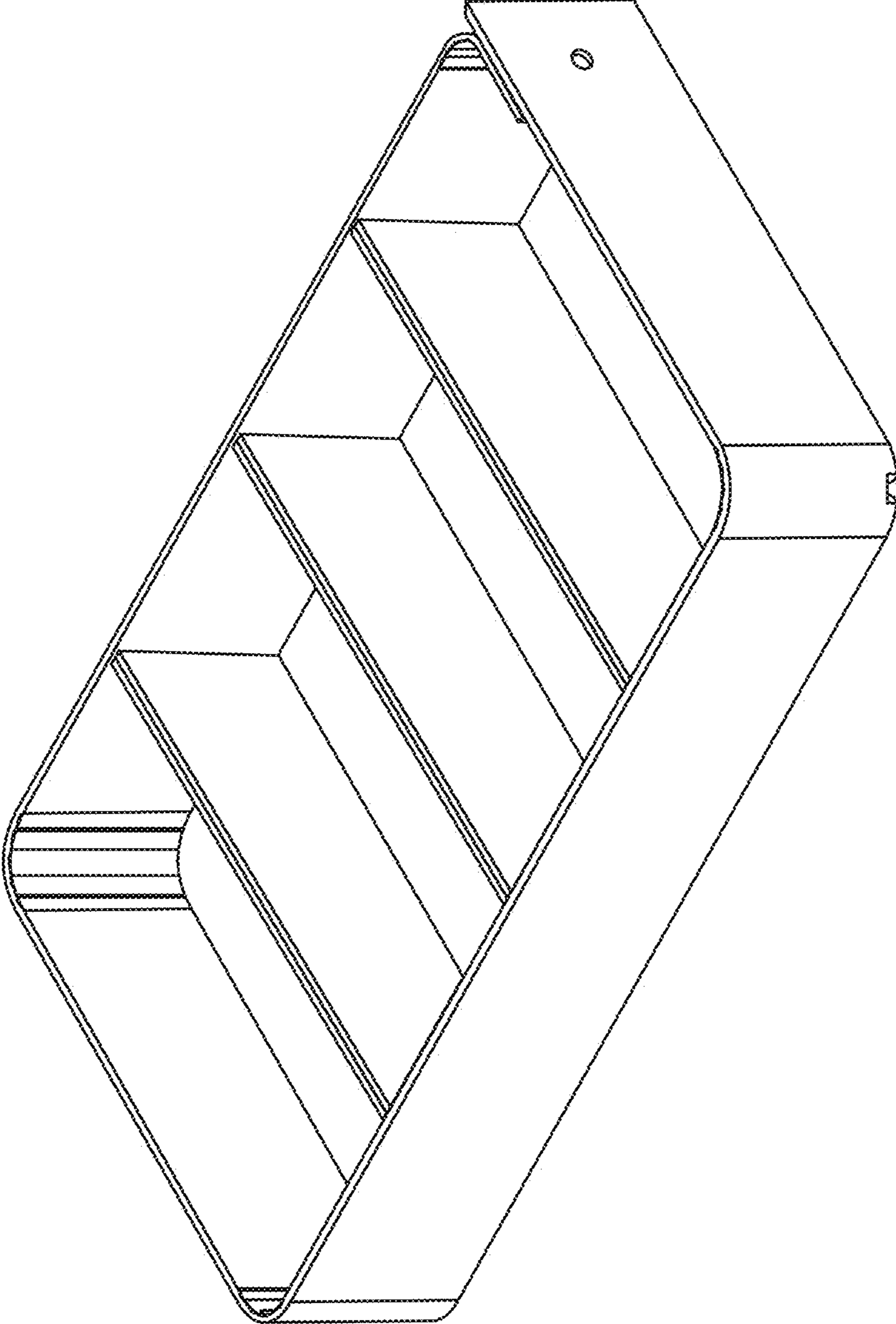


FIG. 10

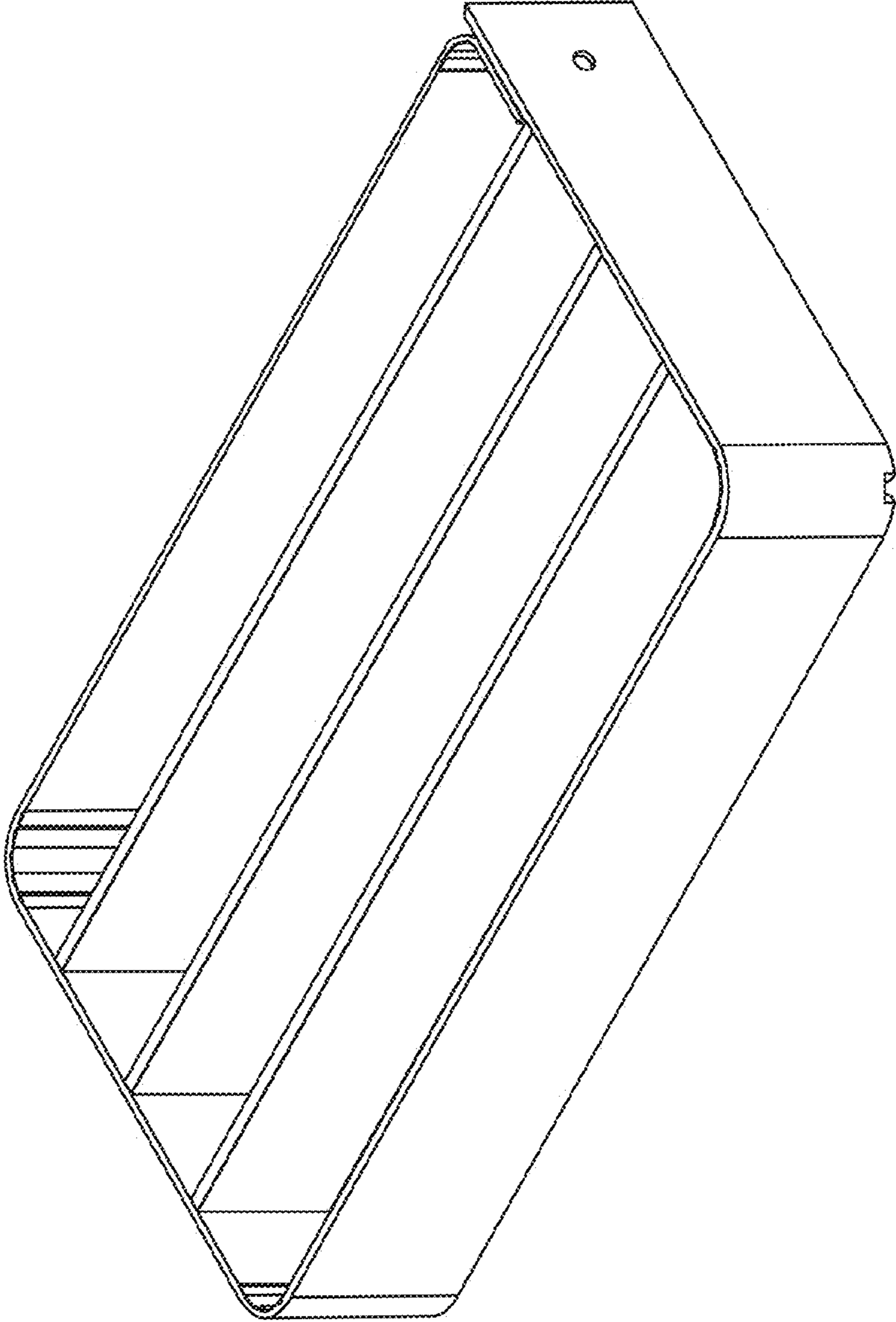


FIG. 11

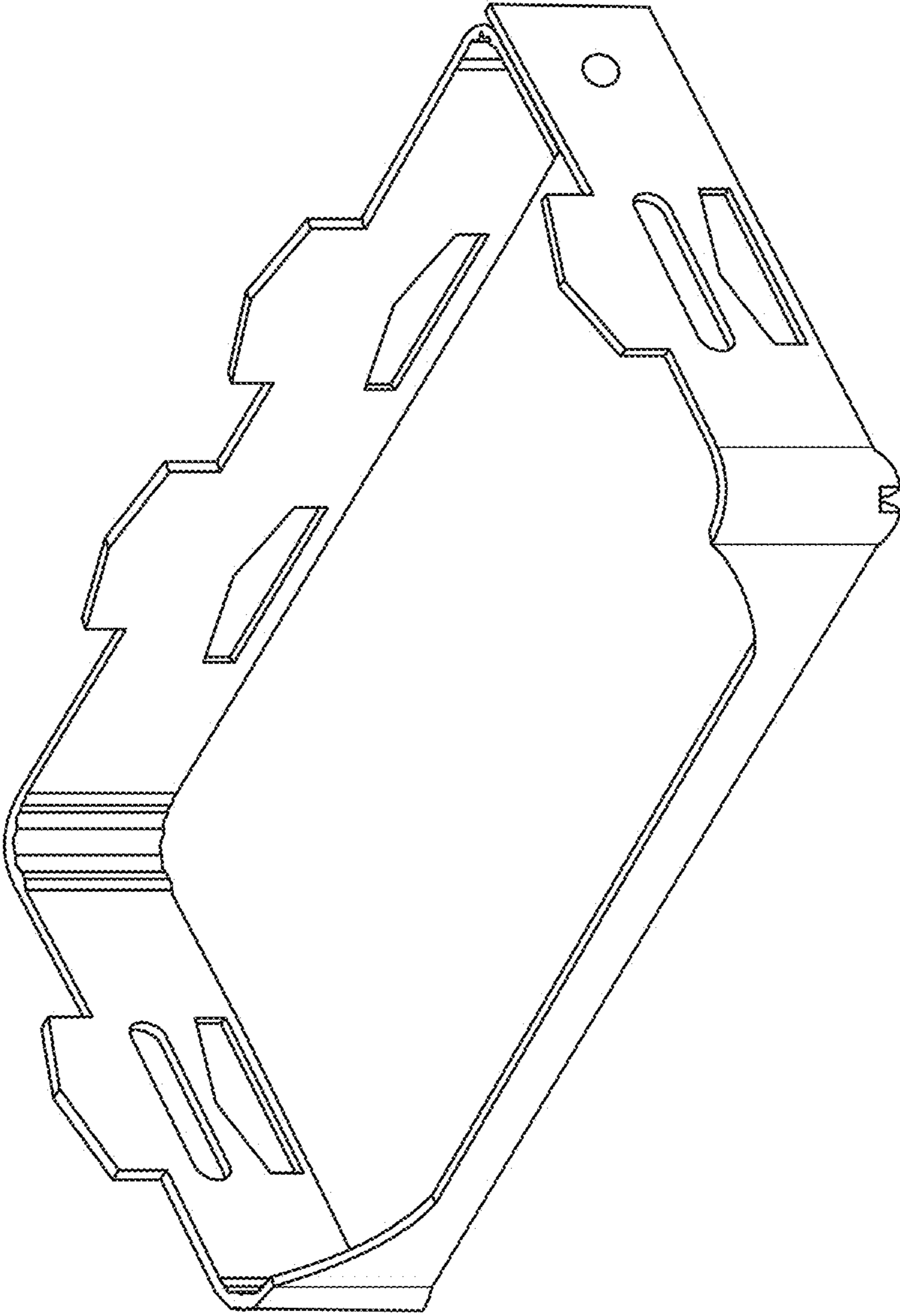


FIG. 12