



US00D750891S

(12) **United States Design Patent**
Lank

(10) **Patent No.:** **US D750,891 S**
(45) **Date of Patent:** **** Mar. 8, 2016**

(54) **UTILITY BAG**

(71) Applicant: **Kimberly Lank**, Severna Park, MD
(US)

(72) Inventor: **Kimberly Lank**, Severna Park, MD
(US)

(73) Assignee: **Alikizak Murals, Kim Lank Designs,**
LLC, Severna Park, MD (US)

(**) Term: **14 Years**

(21) Appl. No.: **29/507,544**

(22) Filed: **Oct. 28, 2014**

(51) **LOC (10) Cl.** **03-01**

(52) **U.S. Cl.**
USPC **D3/299**; D3/290

(58) **Field of Classification Search**
USPC D3/273, 276, 278, 283, 284, 285, 286,
D3/287, 288, 289, 290, 291, 293, 299, 301,
D3/905

CPC A45C 3/00; A45C 3/001; A45C 11/00;
A45C 11/20; A45C 13/103; E01H 2001/1286;
E01H 1/1206; B25H 3/00

See application file for complete search history.

(56) **References Cited**

U.S. PATENT DOCUMENTS

D306,654	S	*	3/1990	Brown	D3/299
4,988,216	A	*	1/1991	Lyman	383/74
5,354,131	A	*	10/1994	Mogil	383/24
5,447,227	A	*	9/1995	Kosberg	206/233
5,713,616	A	*	2/1998	Knudson	294/1.3
D439,047	S	*	3/2001	Holland et al.	D3/299
D442,781	S	*	5/2001	Snider	D3/299
D443,138	S	*	6/2001	Nottingham et al.	D3/303

D443,416	S	*	6/2001	Snider	D3/276
6,257,473	B1	*	7/2001	Ringelstetter	224/675
D483,179	S	*	12/2003	Fair	D3/267
D504,230	S	*	4/2005	Thomas	D3/290
7,073,462	B1	*	7/2006	Layman	119/161
D648,121	S	*	11/2011	Dallmann	D3/232
D686,785	S	*	7/2013	Johnston	D30/153
8,839,745	B1	*	9/2014	Johnston	119/795
D716,551	S	*	11/2014	Taylor	D3/299
D718,529	S	*	12/2014	Wang	D3/290
D732,294	S	*	6/2015	Hu	D3/319
9,078,417	B1	*	7/2015	Lees et al.		
2011/0255805	A1	*	10/2011	Wang	383/26
2013/0019379	A1	*	1/2013	Shadid	2/84

* cited by examiner

Primary Examiner — Jennifer Rivard

Assistant Examiner — April Rivas

(74) *Attorney, Agent, or Firm* — Ronald E. Prass, Jr.; Prass
LLP

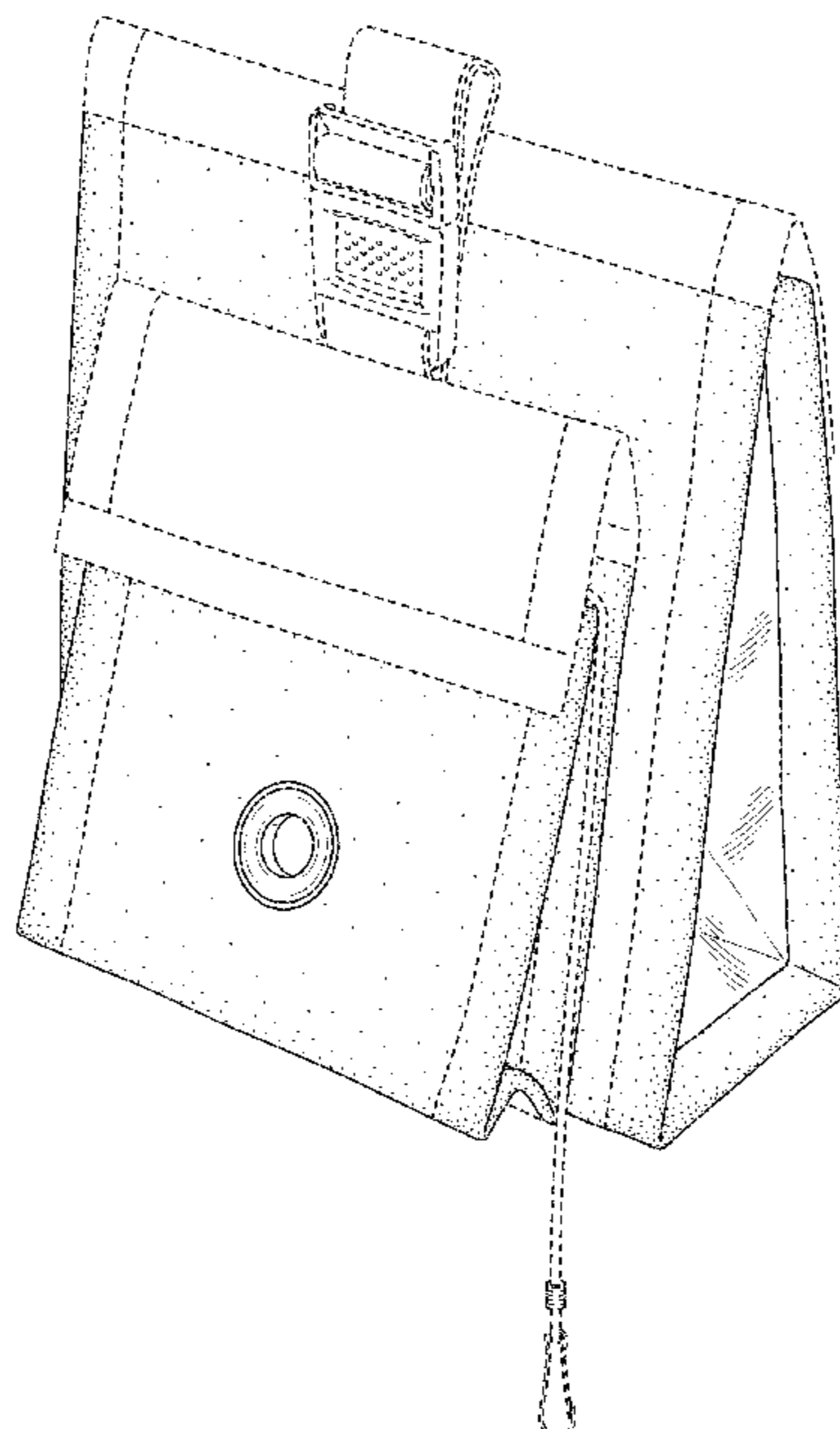
(57) **CLAIM**

The ornamental design for a utility bag, as shown and
described.

DESCRIPTION

FIG. 1 is a front perspective view of a utility bag showing my
new design in accordance with a first embodiment;
FIG. 2 is a side view thereof, the other side being a mirror
image thereof;
FIG. 3 is a front view thereof;
FIG. 4 is a rear view thereof;
FIG. 5 is a top plan view thereof; and,
FIG. 6 is a front perspective view of a utility bag showing my
new design in accordance with a second embodiment.
The broken lines shown in the drawings illustrate portions of
the utility bag and form no part of the claimed design.

1 Claim, 6 Drawing Sheets



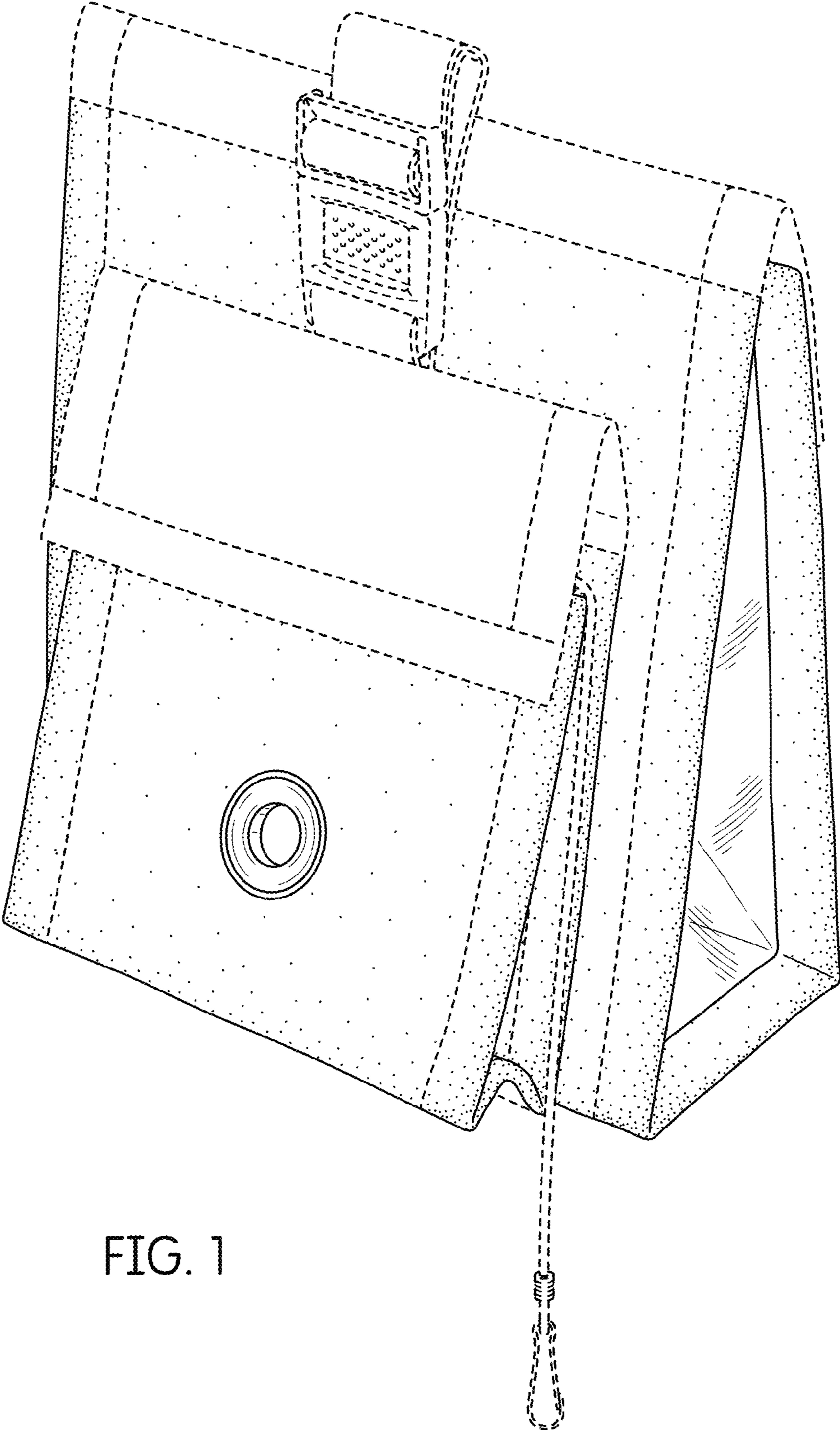


FIG. 1

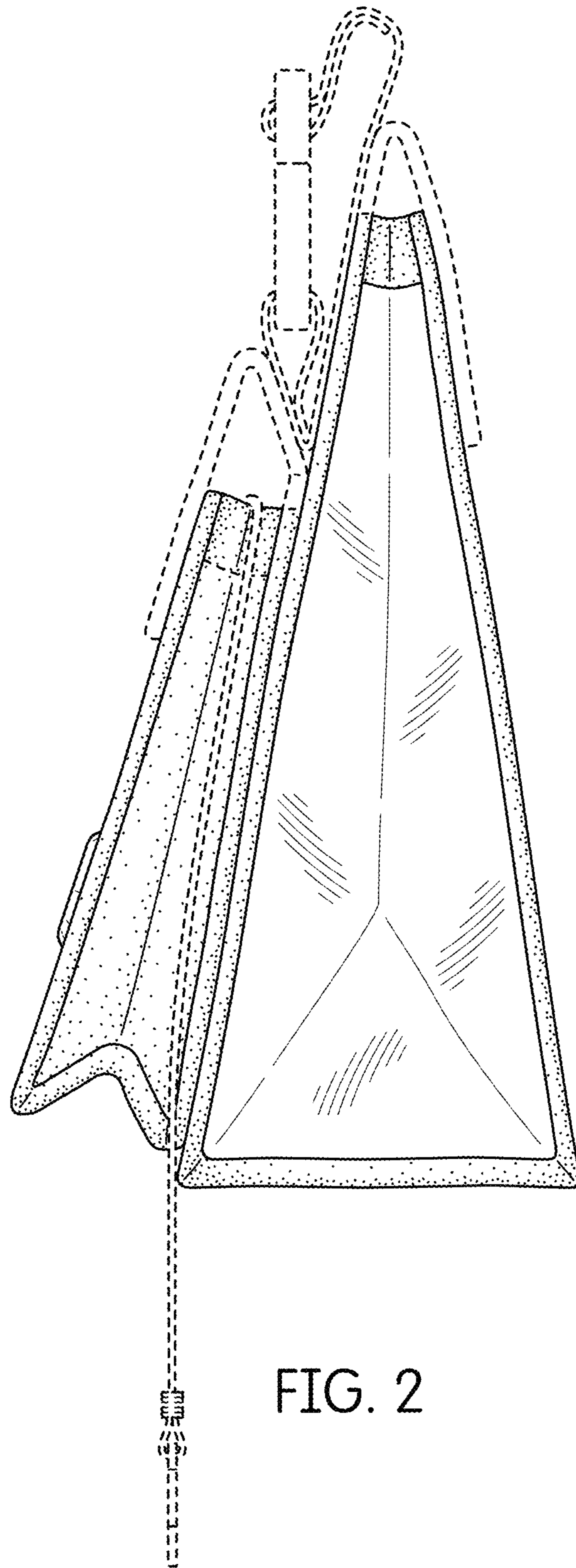


FIG. 2

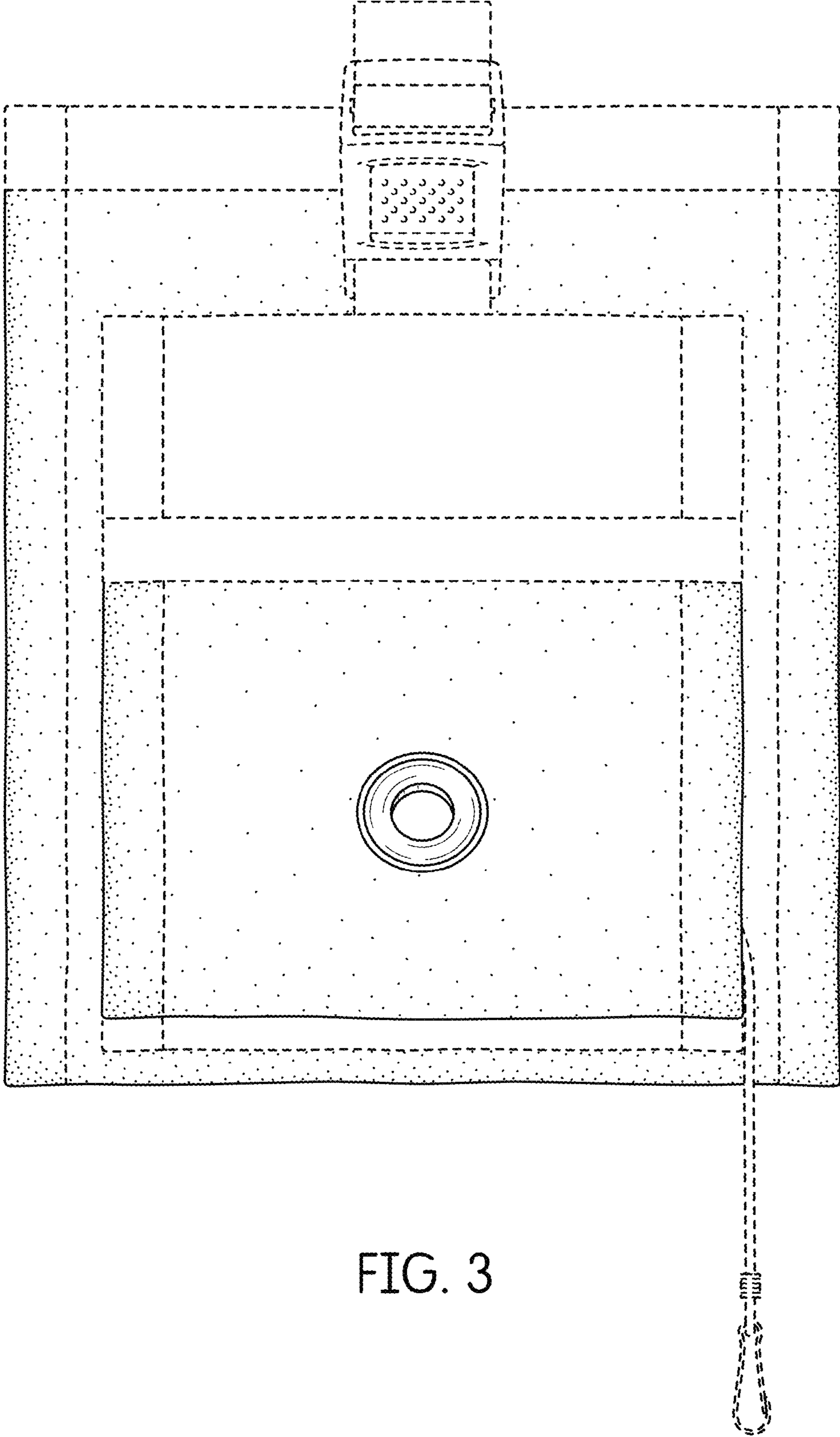


FIG. 3

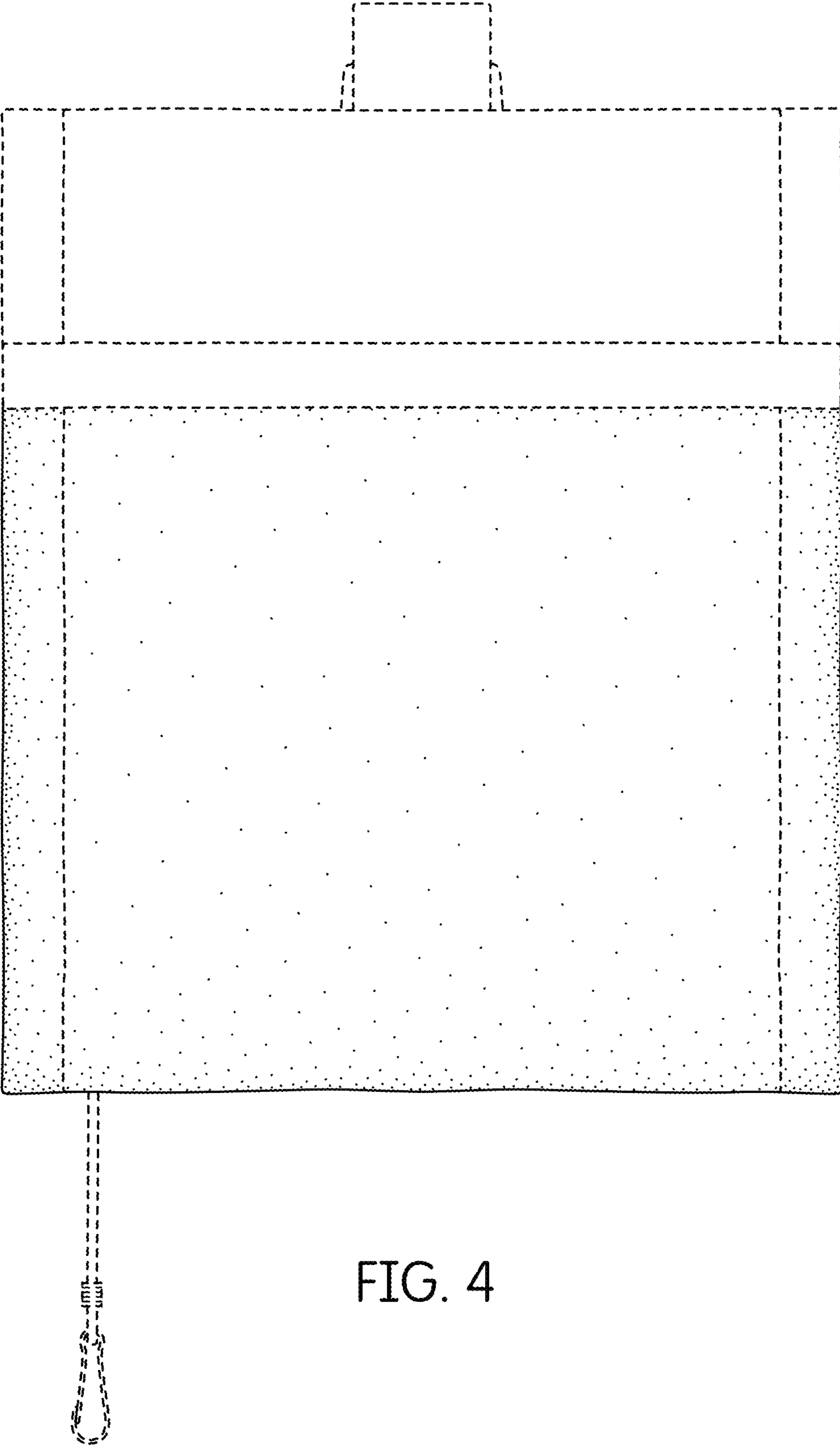


FIG. 4

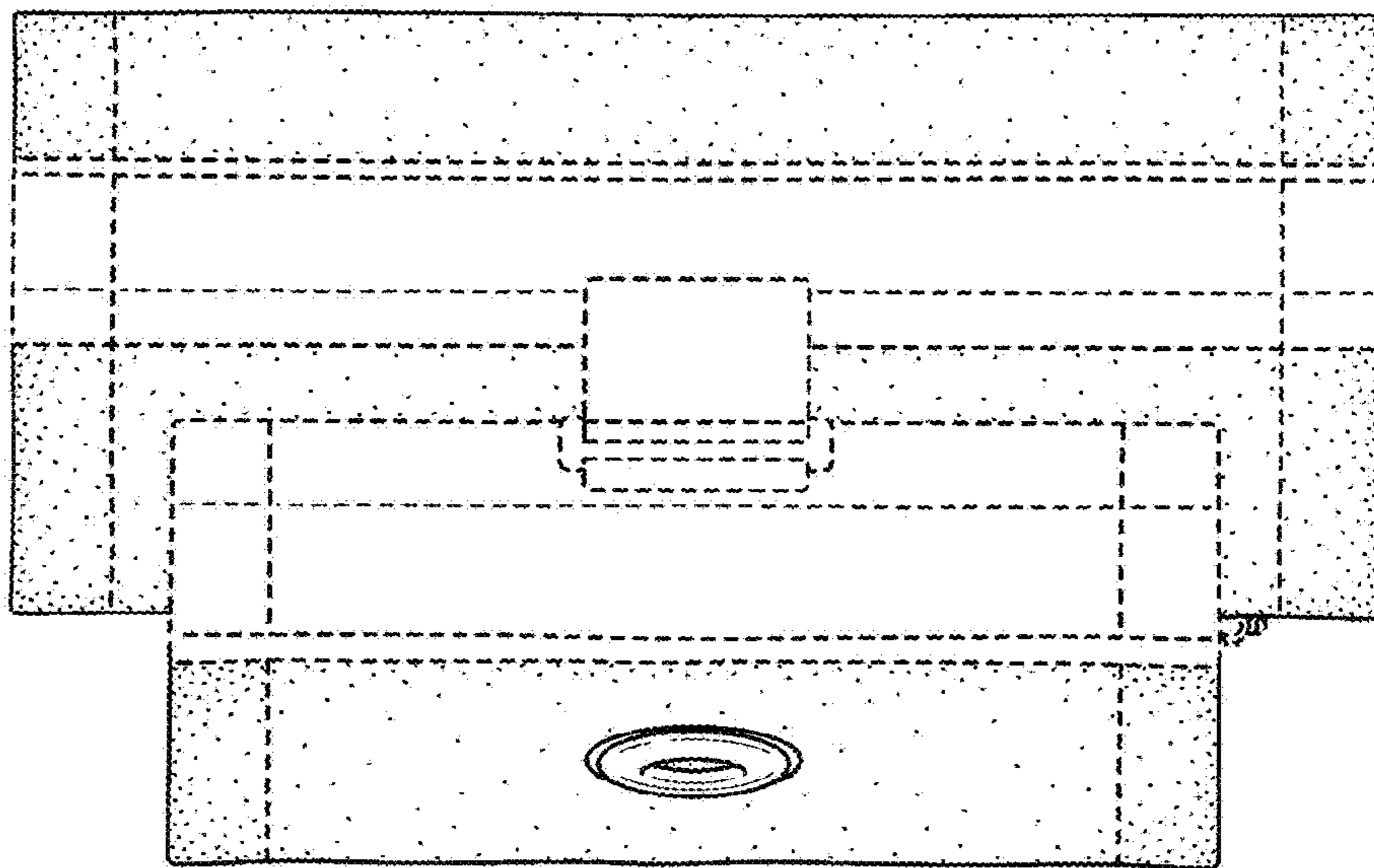


FIG. 5

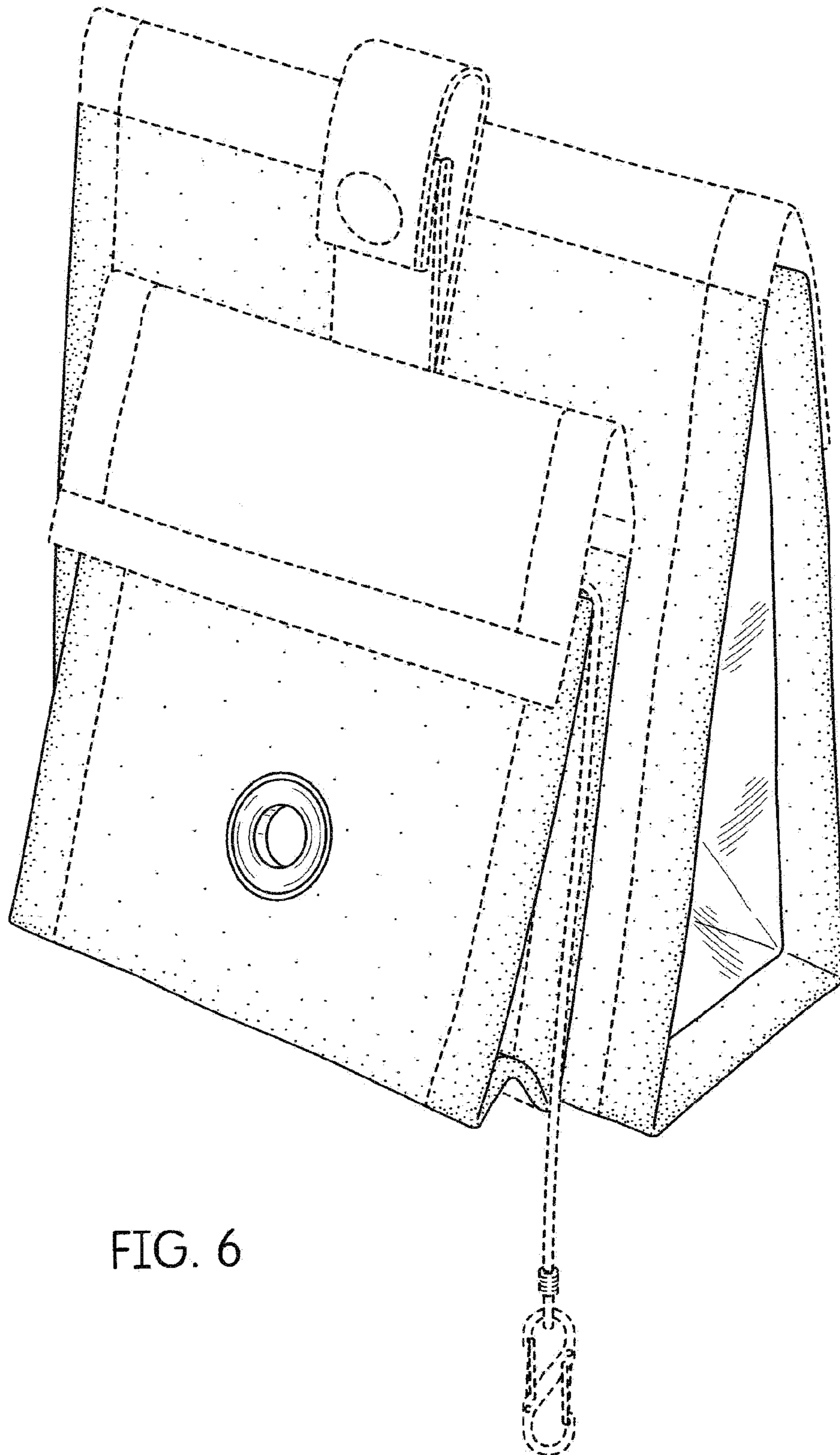


FIG. 6