

US00D750889S

(12) **United States Design Patent**  
**Fortney**

(10) **Patent No.:** **US D750,889 S**  
(45) **Date of Patent:** **\*\* Mar. 8, 2016**

(54) **COMBINED EXTENDABLE TACKLE BOX  
RACK AND TACKLE BOX**

D304,112 S \* 10/1989 Bettess ..... D34/21  
D383,336 S \* 9/1997 Van Der Merwe ..... D34/21  
D521,276 S \* 5/2006 Lenger ..... D6/675.3

(71) Applicant: **Richard Fortney**, Lost Creek, WV (US)

\* cited by examiner

(72) Inventor: **Richard Fortney**, Lost Creek, WV (US)

*Primary Examiner* — Holly Baynham

(73) Assignee: **Richard A. Fortney**, Lost Creek, WV  
(US)

(57) **CLAIM**

I claim the combined extendable tackle box rack and tackle box, as shown and described.

(\*\*) Term: **14 Years**

**DESCRIPTION**

(21) Appl. No.: **29/474,251**

(22) Filed: **Jul. 24, 2014**

(51) **LOC (10) Cl.** ..... **03-01**

(52) **U.S. Cl.**  
USPC ..... **D3/260**

(58) **Field of Classification Search**  
USPC ..... D6/675.3, 676.3, 677.3, 678.2, 687  
CPC ..... A47B 31/00; A47B 43/00; A47B 31/04  
See application file for complete search history.

FIG. 1: is the 3/4 view showing the extendable tackle box rack with the tackle boxes attached in fully upright position with the pull handle at the top of the jack.

FIG. 2: is the front view of the extendable tackle box rack with the tackle boxes attached in fully upright position with the pull handle at the top of the jack.

FIG. 3: is the side view of the extendable tackle box rack with the tackle boxes attached in fully upright position with the pull handle at the top of the jack.

FIG. 4: is the top view of the extendable tackle box rack with tackle box removed from the frame; and,

FIG. 5: is the top view of the extendable tackle box rack with the tackle box attached to the frame.

The extendable tackle box rack is a unique device that allows numerous tackle boxes to fit in small spaces such as inside of a boat seat where the seat is raised up and the tackle boxes are pulled upward to easily get the bait and replace it back into the seat.

(56) **References Cited**

**U.S. PATENT DOCUMENTS**

638,443 A \* 12/1899 Canedy ..... A47B 31/04  
108/17  
D191,249 S \* 8/1961 Gardner et al. .... 211/128.1  
3,827,376 A \* 8/1974 Solomon ..... A47B 43/00  
108/177  
D269,083 S \* 5/1983 Mondak ..... D12/317

**1 Claim, 5 Drawing Sheets**

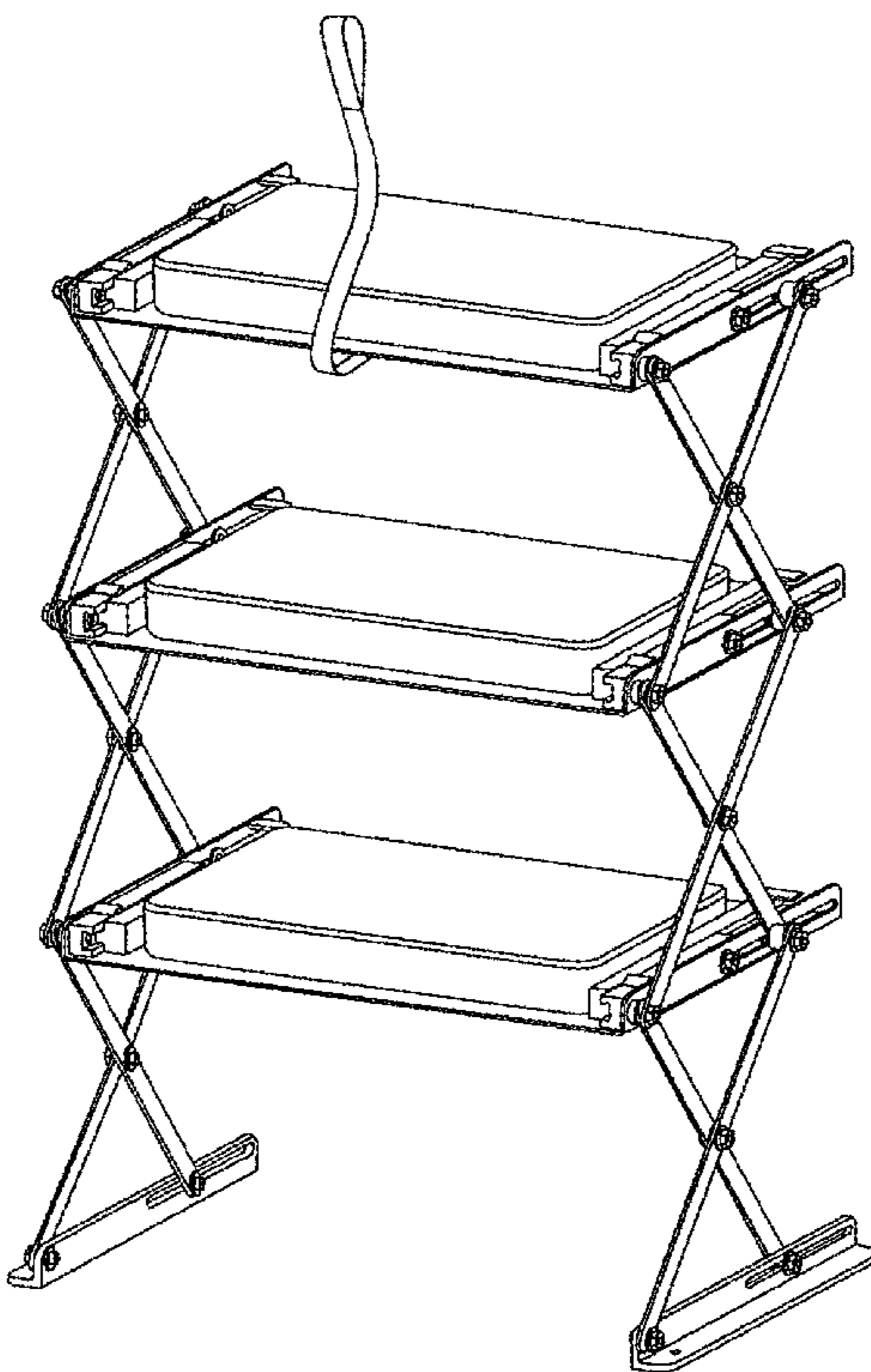


Fig. 1

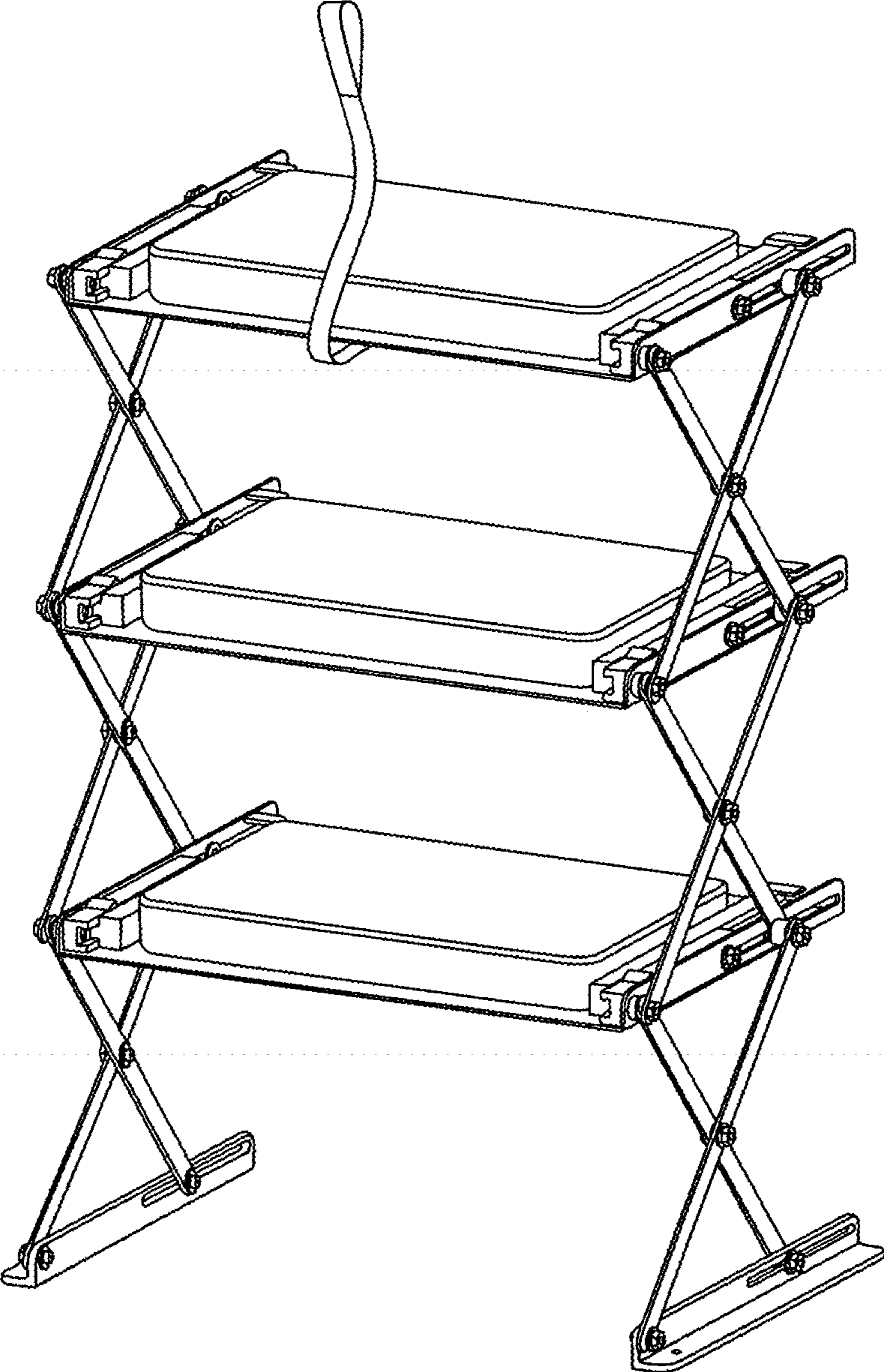


Fig. 2

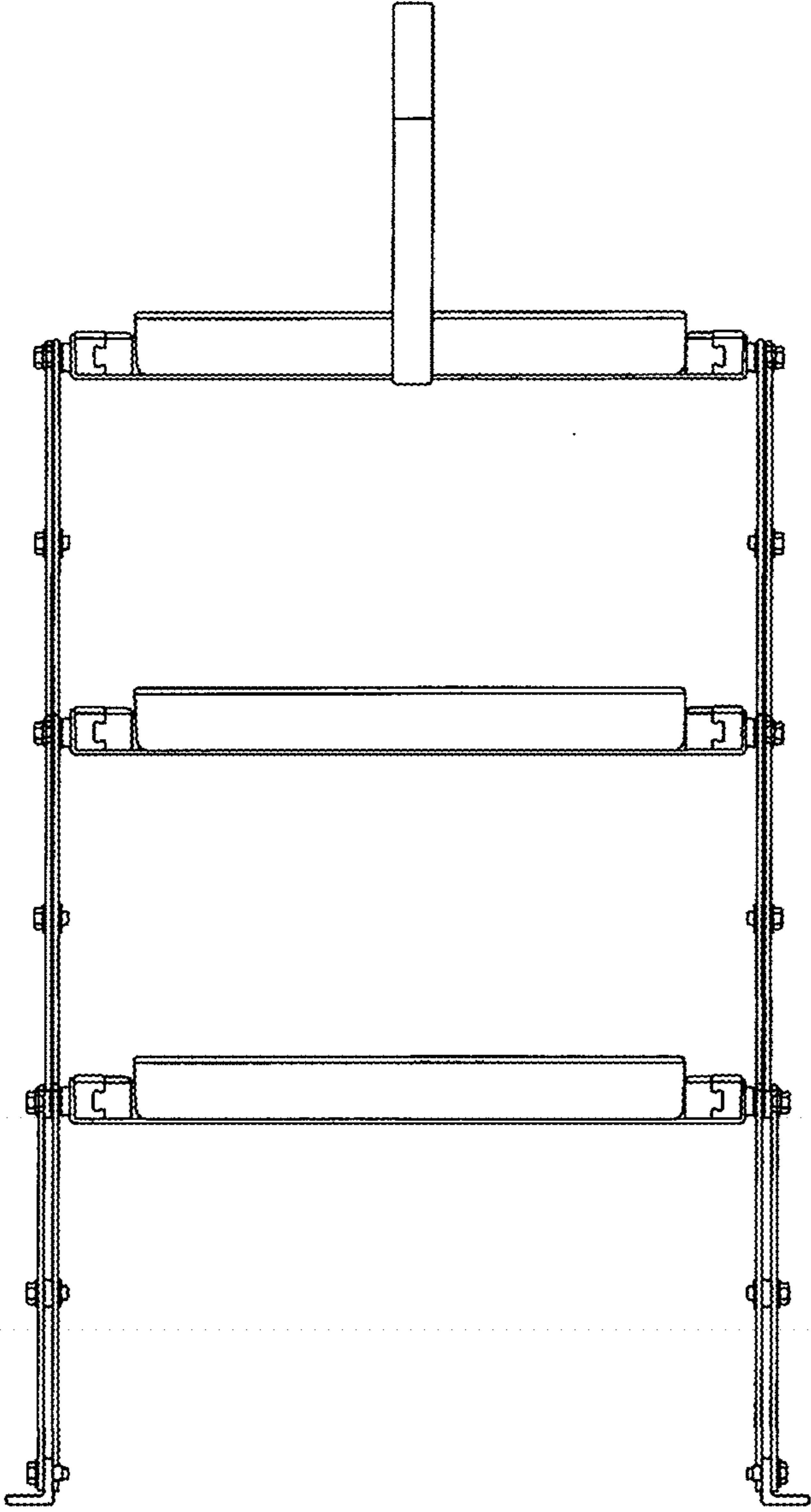


Fig. 3

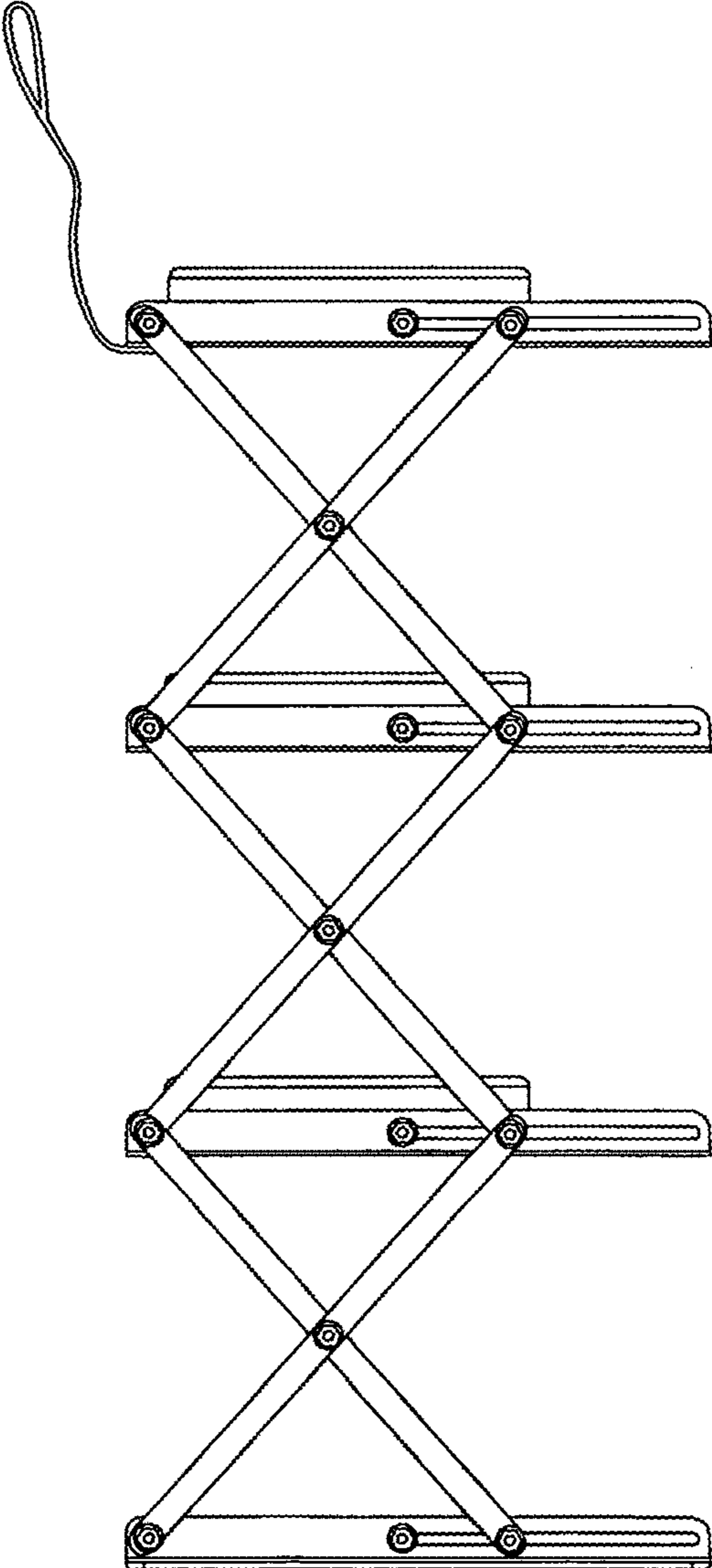


Fig. 4

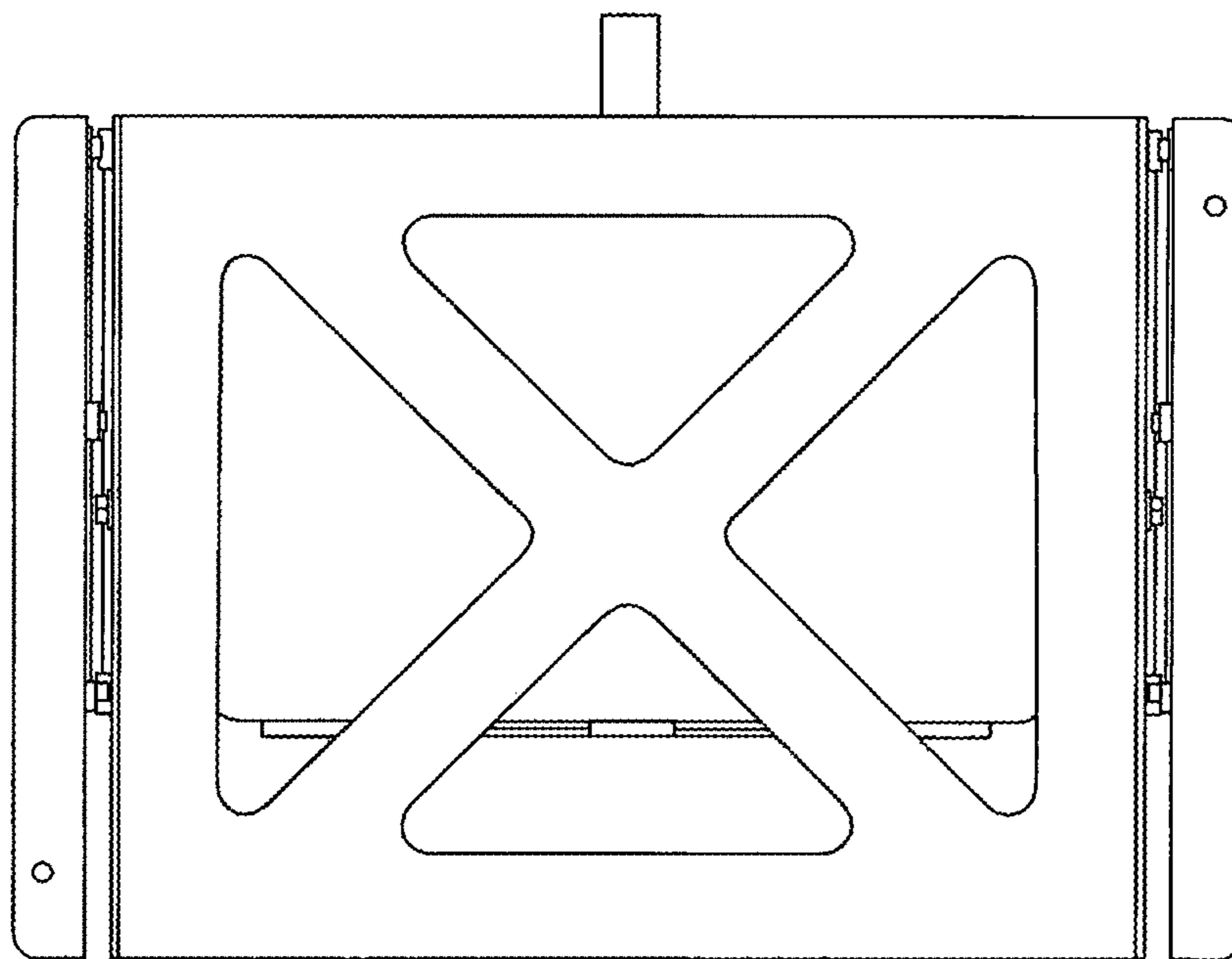


Fig. 5

