



US00D750880S

(12) **United States Design Patent**
Weber et al.

(10) **Patent No.:** **US D750,880 S**
(45) **Date of Patent:** **** Mar. 8, 2016**

- (54) **REPLACEABLE SHOE HEEL TIP**
- (71) Applicants: **Toni Marie Weber**, Columbus, OH (US); **Joel Beebe**, Columbus, OH (US); **Matthew Seibert**, Columbus, OH (US); **Christopher Hawker**, Columbus, OH (US)
- (72) Inventors: **Toni Marie Weber**, Columbus, OH (US); **Joel Beebe**, Columbus, OH (US); **Matthew Seibert**, Columbus, OH (US); **Christopher Hawker**, Columbus, OH (US)
- (**) Term: **14 Years**
- (21) Appl. No.: **29/473,970**
- (22) Filed: **Nov. 27, 2013**
- (51) **LOC (10) Cl.** **02-04**
- (52) **U.S. Cl.**
USPC **D2/965**
- (58) **Field of Classification Search**
USPC D2/916, 918, 925, 964-966, 968;
36/34 R, 35 R, 36 R, 36 A-36 C, 37, 38,
36/35 A, 35 B, 39-12, 34 A, 34 B
CPC A43B 21/00; A43B 21/36; A43B 21/42;
A43B 21/52; A43B 21/54
See application file for complete search history.

3,035,357 A	5/1962	Valenti	
3,201,877 A *	8/1965	Cesta	36/36 R
3,229,390 A *	1/1966	Laufbahn	36/42
3,439,435 A	4/1969	Fredon	
4,498,252 A	2/1985	Connors	
D293,042 S	12/1987	Martin	
4,756,097 A	7/1988	Sanders	
D299,883 S	2/1989	Steele	
D300,780 S	4/1989	Walls	
4,872,271 A	10/1989	Allen	
D318,560 S	7/1991	Fitzpatrick et al.	
D346,060 S	4/1994	Martinez	
5,311,675 A	5/1994	Topel	
5,357,694 A	10/1994	Mauck	
D359,156 S	6/1995	Cross	
D367,157 S	2/1996	Gage, Sr.	
5,771,607 A	6/1998	Dean	
D495,854 S	9/2004	Francis	
D630,826 S	1/2011	Boyer	
D632,463 S	2/2011	Brown et al.	

(Continued)

Primary Examiner — Derrick Holland
Assistant Examiner — Janice Lim
 (74) *Attorney, Agent, or Firm* — Benesch, Friedlander, Coplan & Aronoff LLP; Benjamin E. Kern; Thomas Y. Kendrick

(57) **CLAIM**
 The ornamental design for a replaceable shoe heel tip, as shown and described.

DESCRIPTION

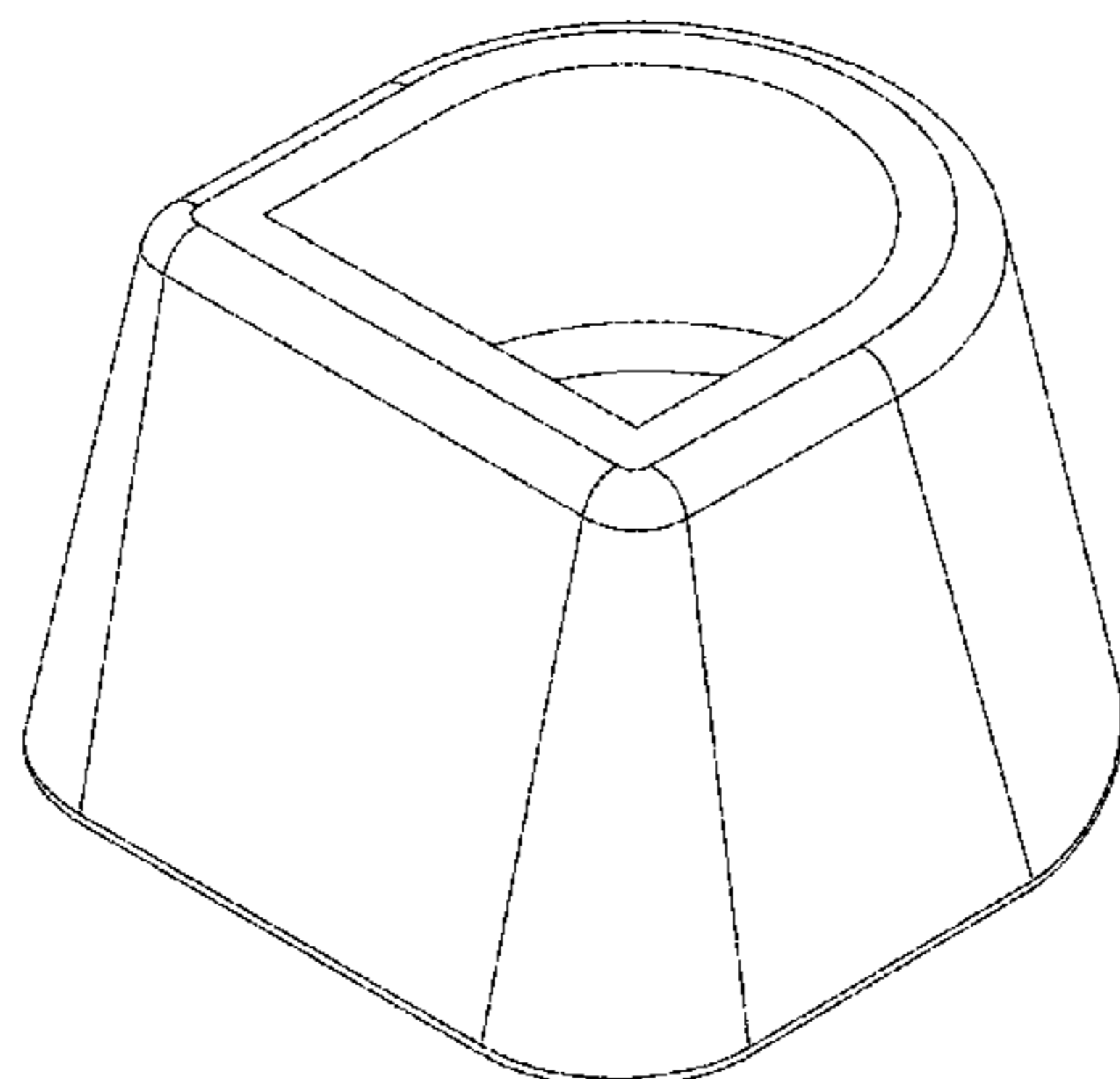
FIG. 1 is a front elevational view of a replaceable shoe heel tip;
 FIG. 2 is a left side elevational view thereof;
 FIG. 3 is a right side elevational view thereof;
 FIG. 4 is a rear elevational view thereof;
 FIG. 5 is a top plan view thereof;
 FIG. 6 is a bottom plan view thereof; and,
 FIG. 7 is a top perspective view thereof.
 The broken line portions of FIG. 6 are included to show unclaimed subject matter only and form no part of the claimed design.

1 Claim, 7 Drawing Sheets

(56) **References Cited**

U.S. PATENT DOCUMENTS

868,054 A *	10/1907	Witkowski	36/36 A
1,261,525 A	4/1918	Helwitz	
1,622,859 A	3/1927	Christensen	
1,770,261 A	7/1930	Barthes	
1,875,806 A	9/1932	Givens	
D89,876 S *	5/1933	Crossman et al.	D2/964
1,970,689 A *	8/1934	Collins	36/36 R
D112,343 S *	11/1938	Keyes	D2/965
D137,466 S *	3/1944	Pierson	D2/950
2,875,534 A	3/1959	Grossman	
2,988,830 A	6/1961	Zacks	



(56)

References Cited

U.S. PATENT DOCUMENTS

2007/0163149 A1 7/2007 Urbach
2008/0148606 A1 6/2008 Brown et al.

2008/0216363 A1 9/2008 Alexander
2009/0282702 A1 11/2009 Brown et al.
2011/0219645 A1* 9/2011 Koh 36/36 R

* cited by examiner

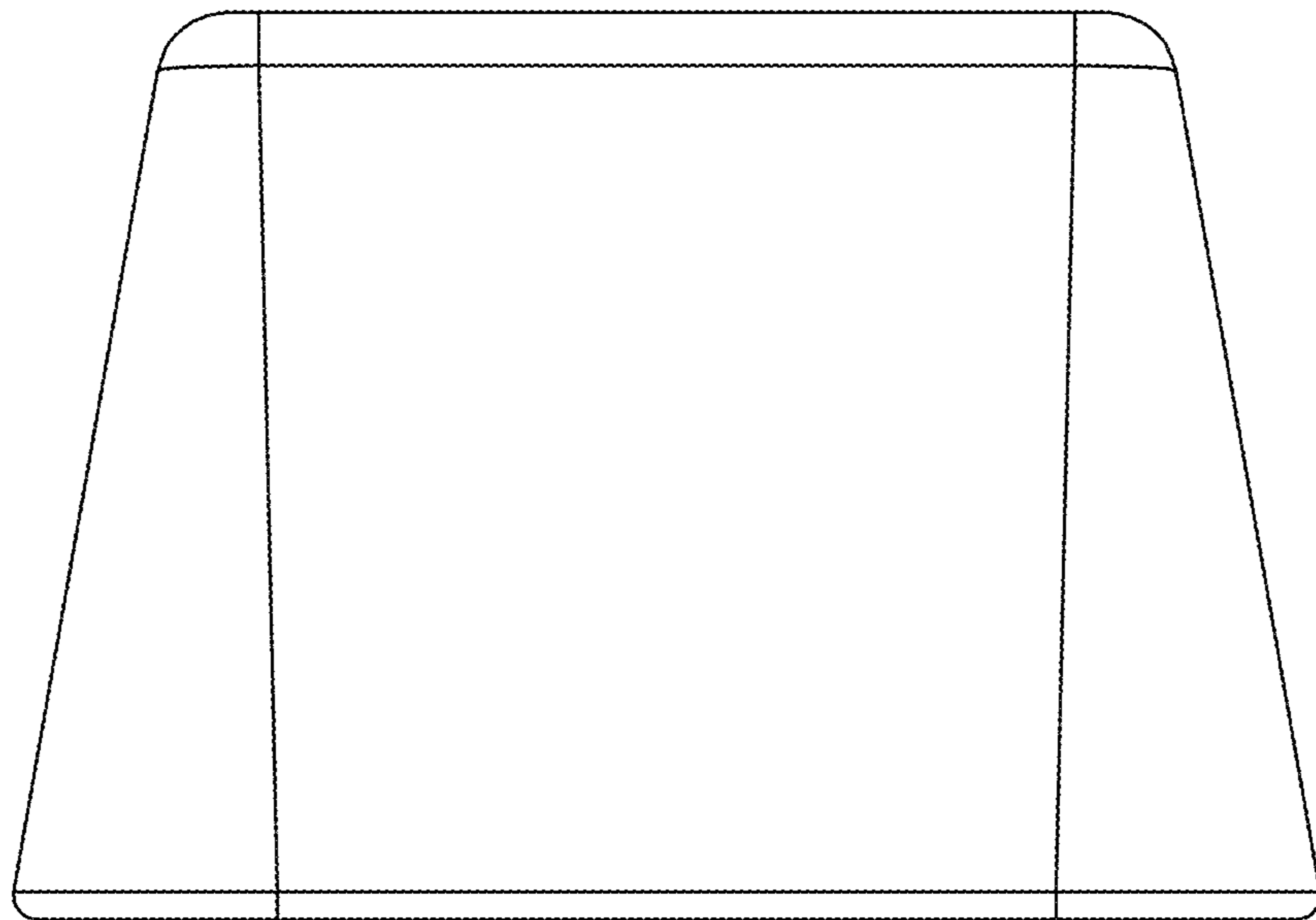


FIG. 1

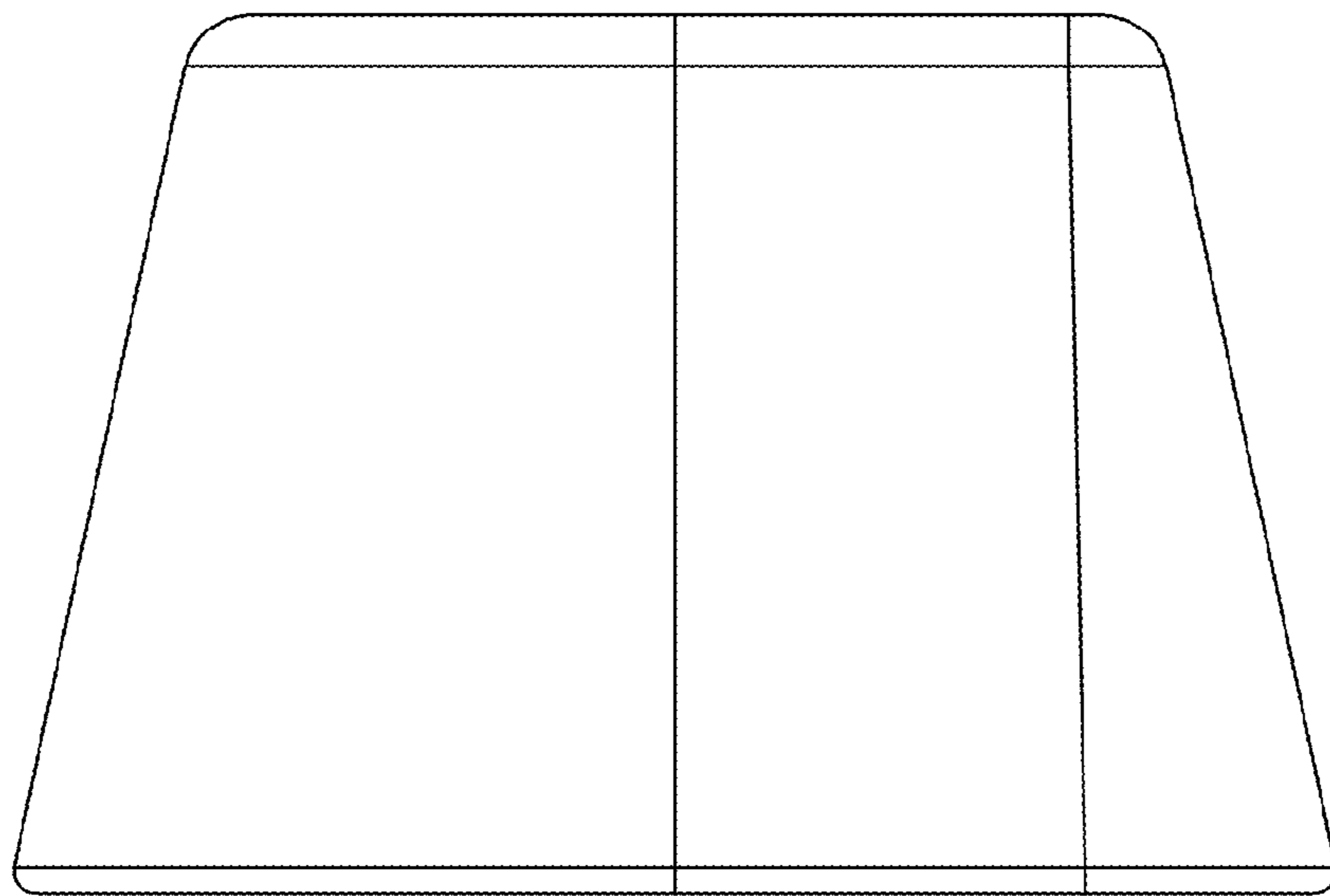


FIG. 2

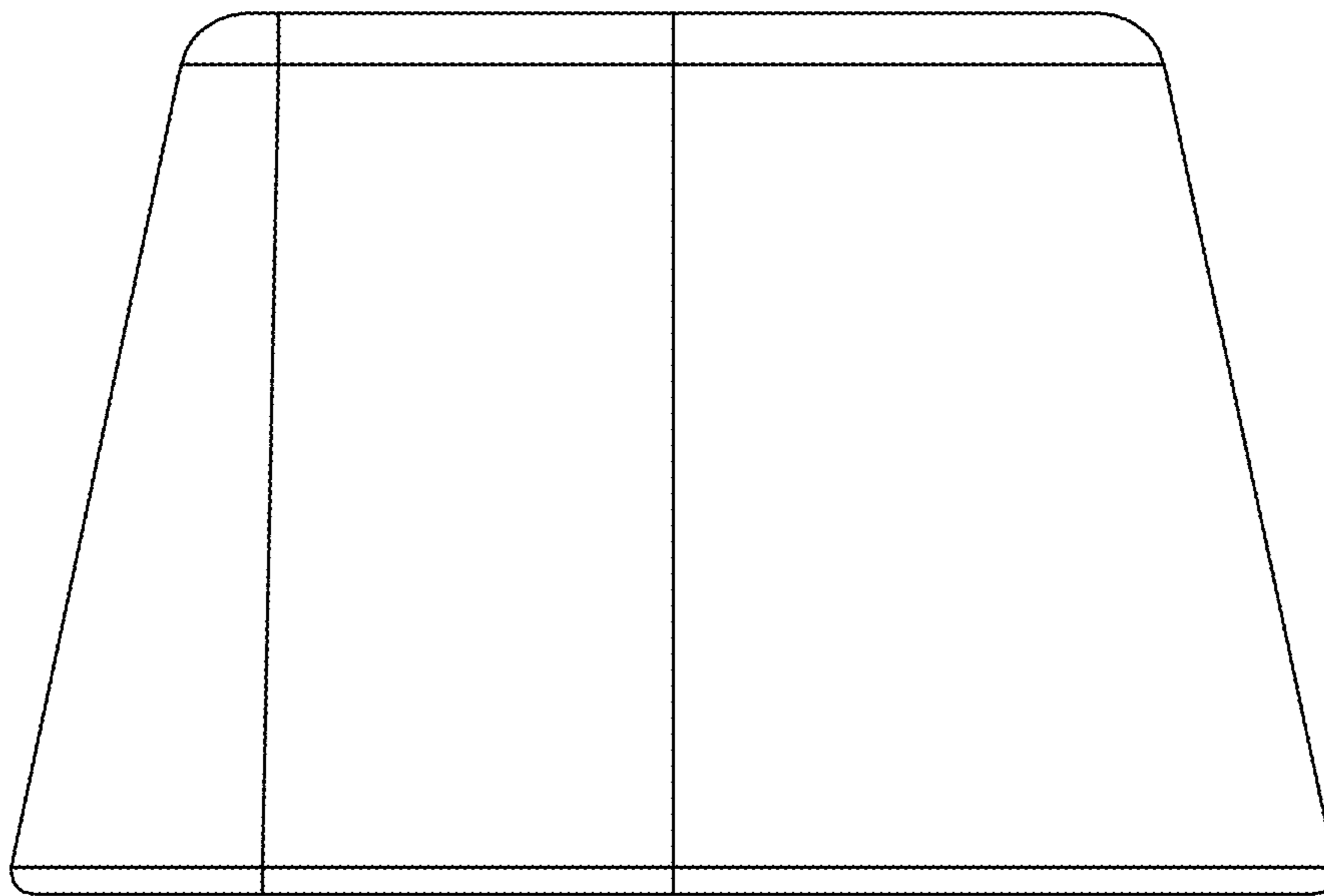


FIG. 3

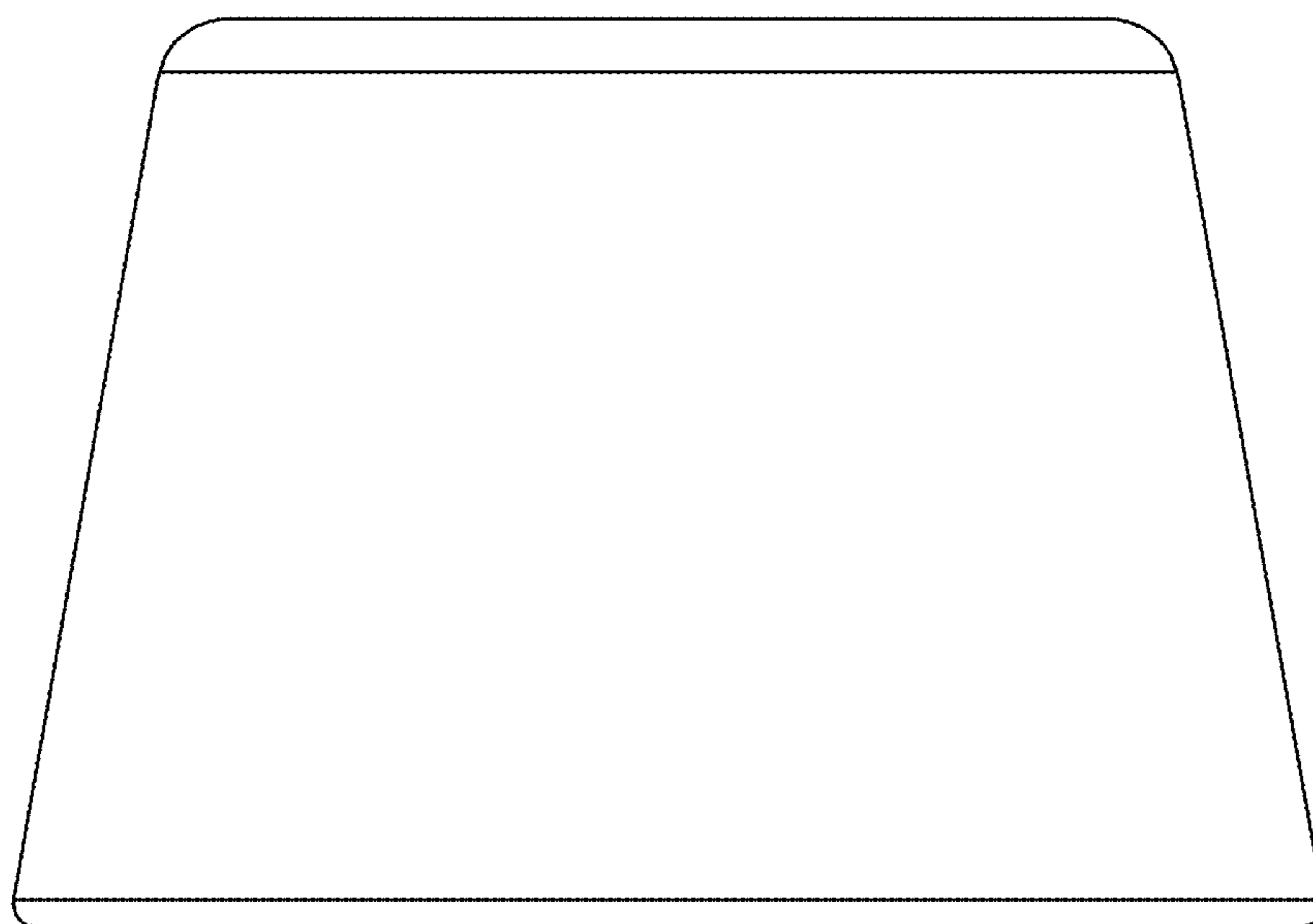


FIG.4

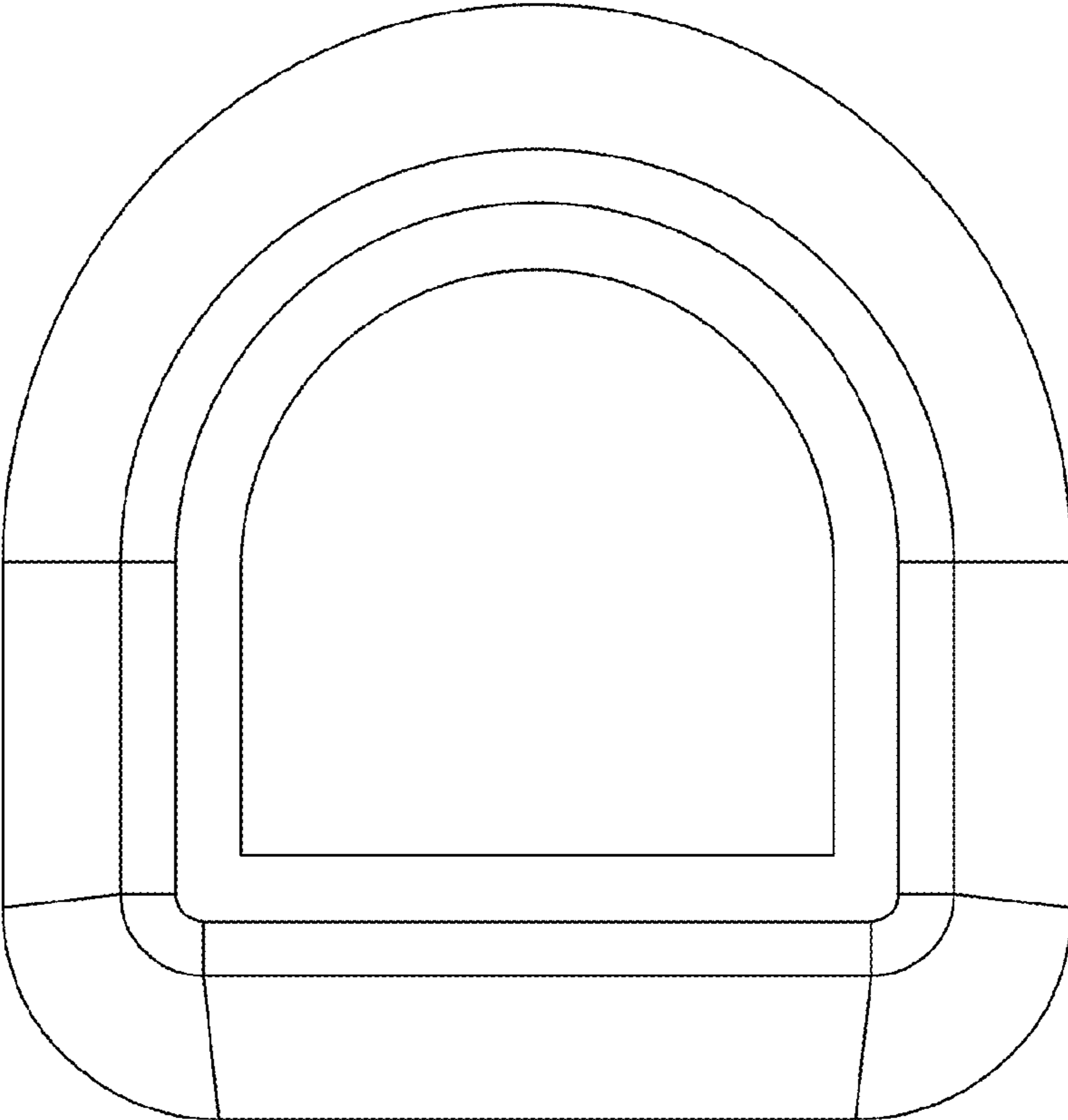


FIG.5

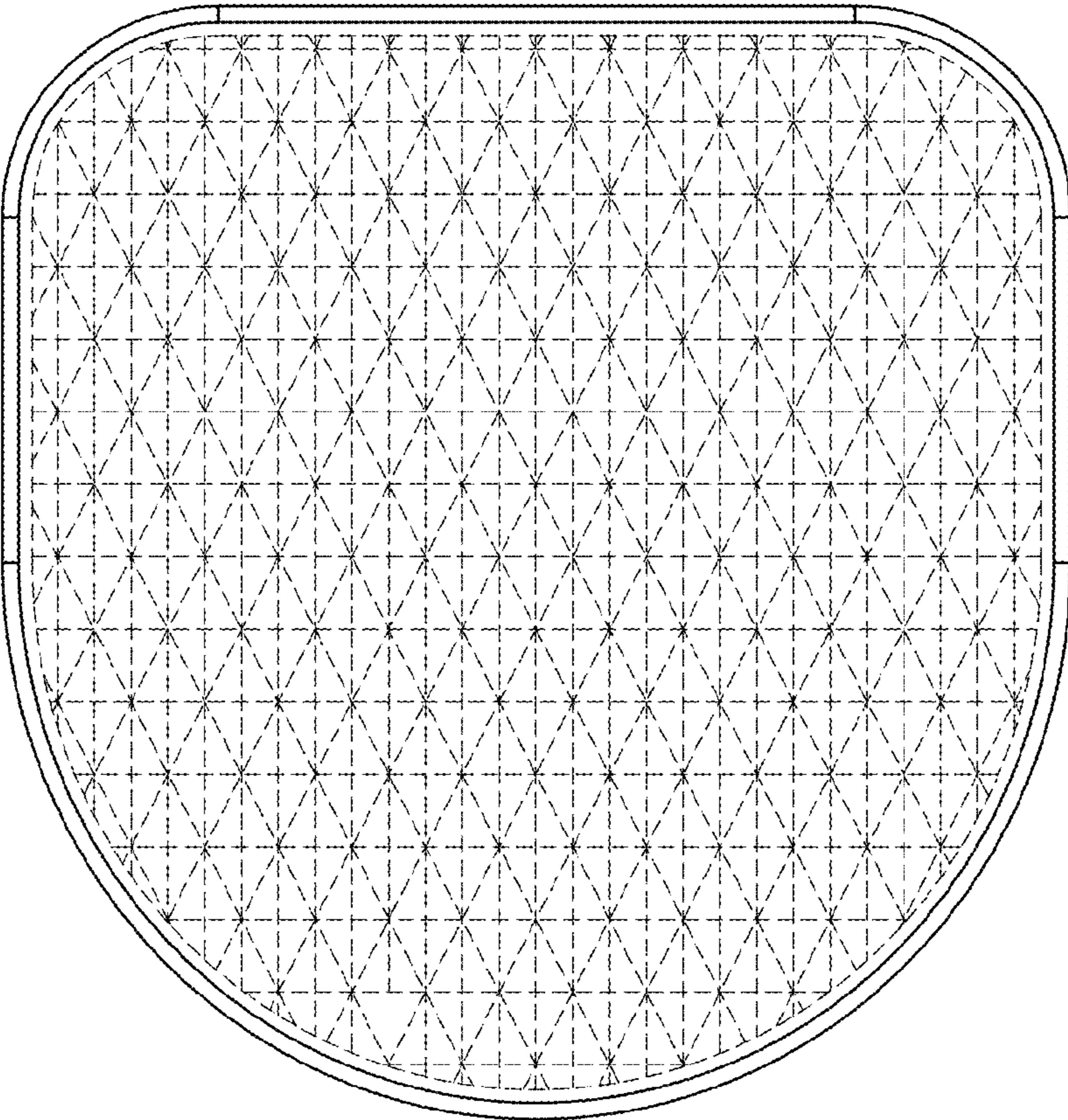


FIG. 6

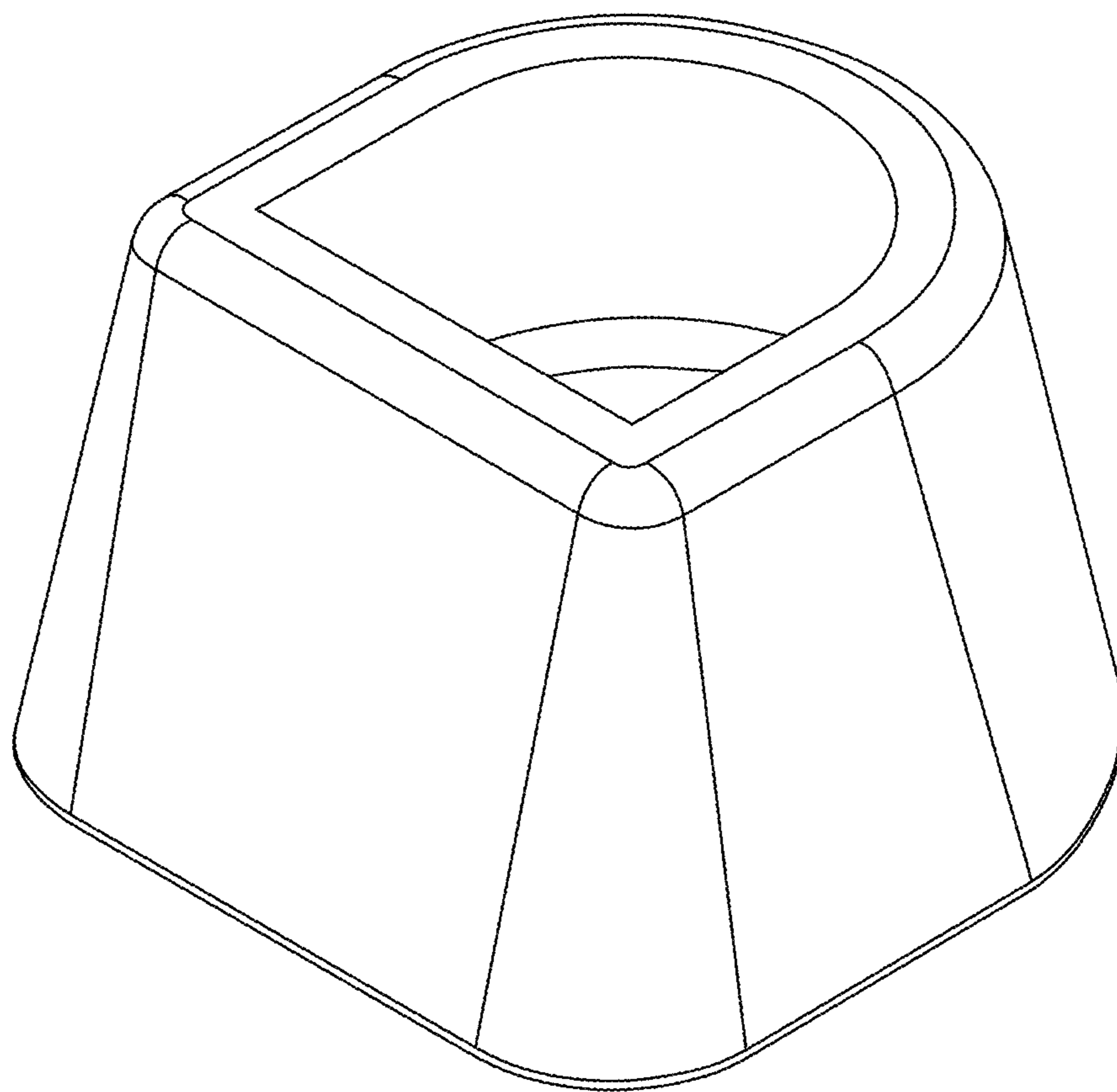


FIG. 7