



US00D750866S

(12) **United States Design Patent**  
**Leder et al.**

(10) **Patent No.:** **US D750,866 S**  
(45) **Date of Patent:** **\*\* \*Mar. 8, 2016**

(54) **DEBOSSSED CHEWING GUM STICK**

(71) Applicant: **WM. WRIGLEY JR. COMPANY,**  
Chicago, IL (US)

(72) Inventors: **Steven Leder,** Morrow, OH (US); **Shane Jallick,** Cincinnati, OH (US)

(73) Assignee: **WM. WRIGLEY JR. COMPANY,**  
Chicago, IL (US)

(\*) Notice: This patent is subject to a terminal disclaimer.

(\*\*) Term: **14 Years**

(21) Appl. No.: **29/486,189**

(22) Filed: **Mar. 27, 2014**

(51) **LOC (10) Cl.** ..... **01-01**

(52) **U.S. Cl.**  
USPC ..... **D1/127; D1/114**

(58) **Field of Classification Search**  
USPC ..... D1/100–130, 199; D24/101, 102;  
426/3, 5, 87, 89, 92, 103, 104, 129,  
426/138, 144, 249, 383, 512, 516, 660,  
426/808; 424/467; D25/113, 119, 121–132;  
D21/499; D5/55–58, 62  
CPC ..... A23G 4/02; A23G 4/06; A23G 4/08;  
A23G 4/10; A23G 4/20; A23G 4/00; A23G  
3/38; A23G 3/42; A23G 3/54; A23K 1/164  
See application file for complete search history.

(56) **References Cited**

**U.S. PATENT DOCUMENTS**

1,855,145 A \* 4/1932 Bartlett ..... 426/87  
5,376,388 A \* 12/1994 Meyers ..... 426/5

5,840,119 A \* 11/1998 Stefanello et al. .... 117/208  
D437,100 S \* 2/2001 Sancho ..... D1/105  
7,090,881 B2 \* 8/2006 Sirami et al. .... 426/264  
7,112,345 B1 \* 9/2006 McHale et al. .... 426/5  
D588,776 S \* 3/2009 Kanamoto ..... D1/101  
D617,079 S \* 6/2010 Brown et al. .... D1/127  
D641,948 S \* 7/2011 Bruyea et al. .... D1/127  
D666,377 S \* 9/2012 Correa et al. .... D1/114  
D686,386 S \* 7/2013 Jani et al. .... D1/127  
D699,916 S \* 2/2014 Rodgers et al. .... D1/127  
2009/0028998 A1 \* 1/2009 Elejalde et al. .... 426/5

**OTHER PUBLICATIONS**

Five Gum, Jun. 4, 2010. [online.] [retrieved on Jul. 7, 2014].  
Retrieved from internet <URL: [http://commons.wikimedia.org/wiki/File:Five\\_Gum.JPG](http://commons.wikimedia.org/wiki/File:Five_Gum.JPG)>.\*

(Continued)

*Primary Examiner* — Barbara Fox

*Assistant Examiner* — Katie Mroczka

(74) *Attorney, Agent, or Firm* — Gordon N. McGrew

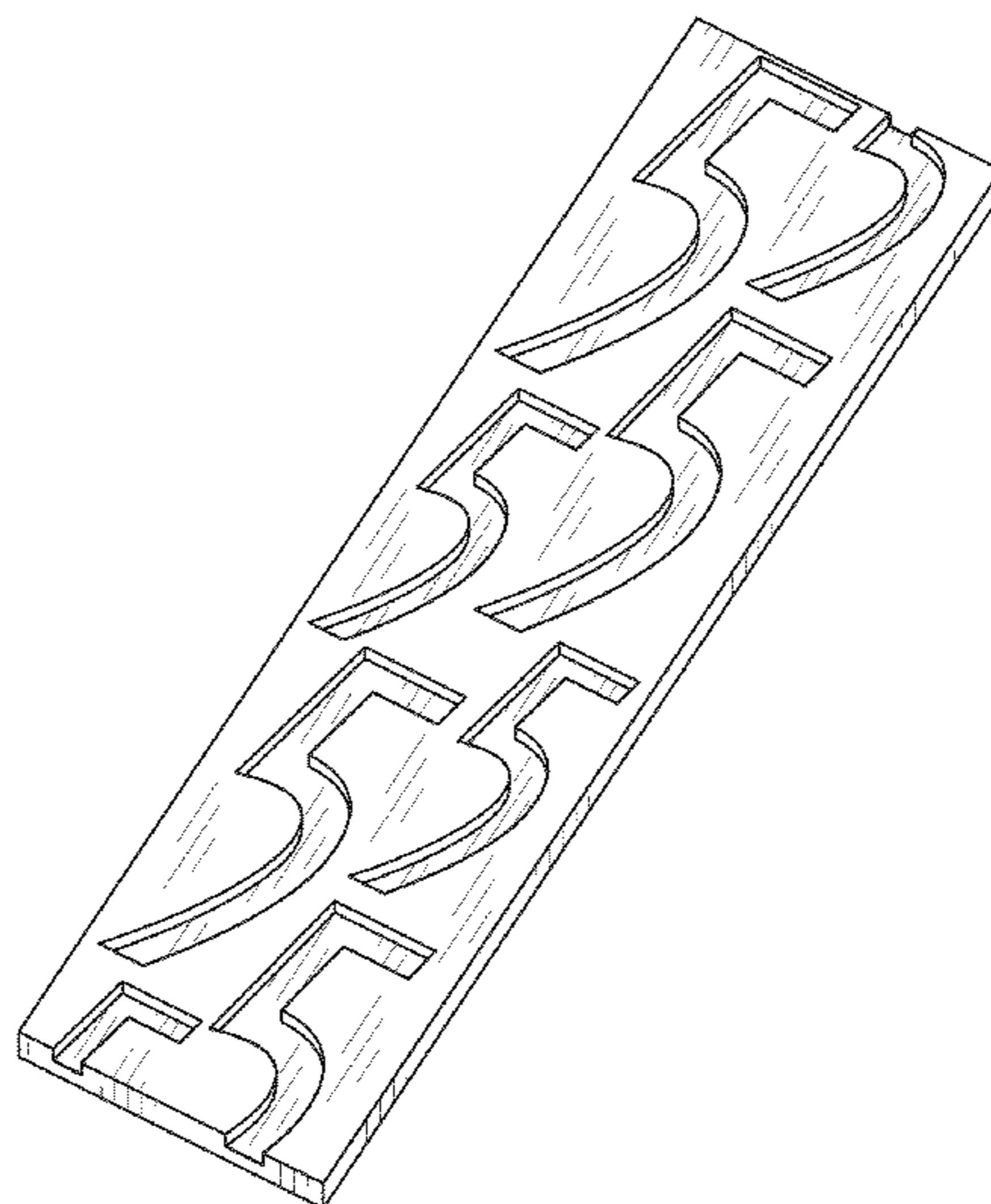
(57) **CLAIM**

The ornamental design for a debossed chewing gum stick, as shown and described.

**DESCRIPTION**

FIG. 1 is a right perspective view of a debossed chewing gum stick showing our new design;  
FIG. 2 is a front elevation view of FIG. 1;  
FIG. 3 is a rear elevation view of FIG. 1;  
FIG. 4 is a left side elevation view of FIG. 1;  
FIG. 5 is a right side elevation view of FIG. 1;  
FIG. 6 is a top plan view of FIG. 1; and,  
FIG. 7 is a bottom plan view of FIG. 1.

**1 Claim, 2 Drawing Sheets**



(56)

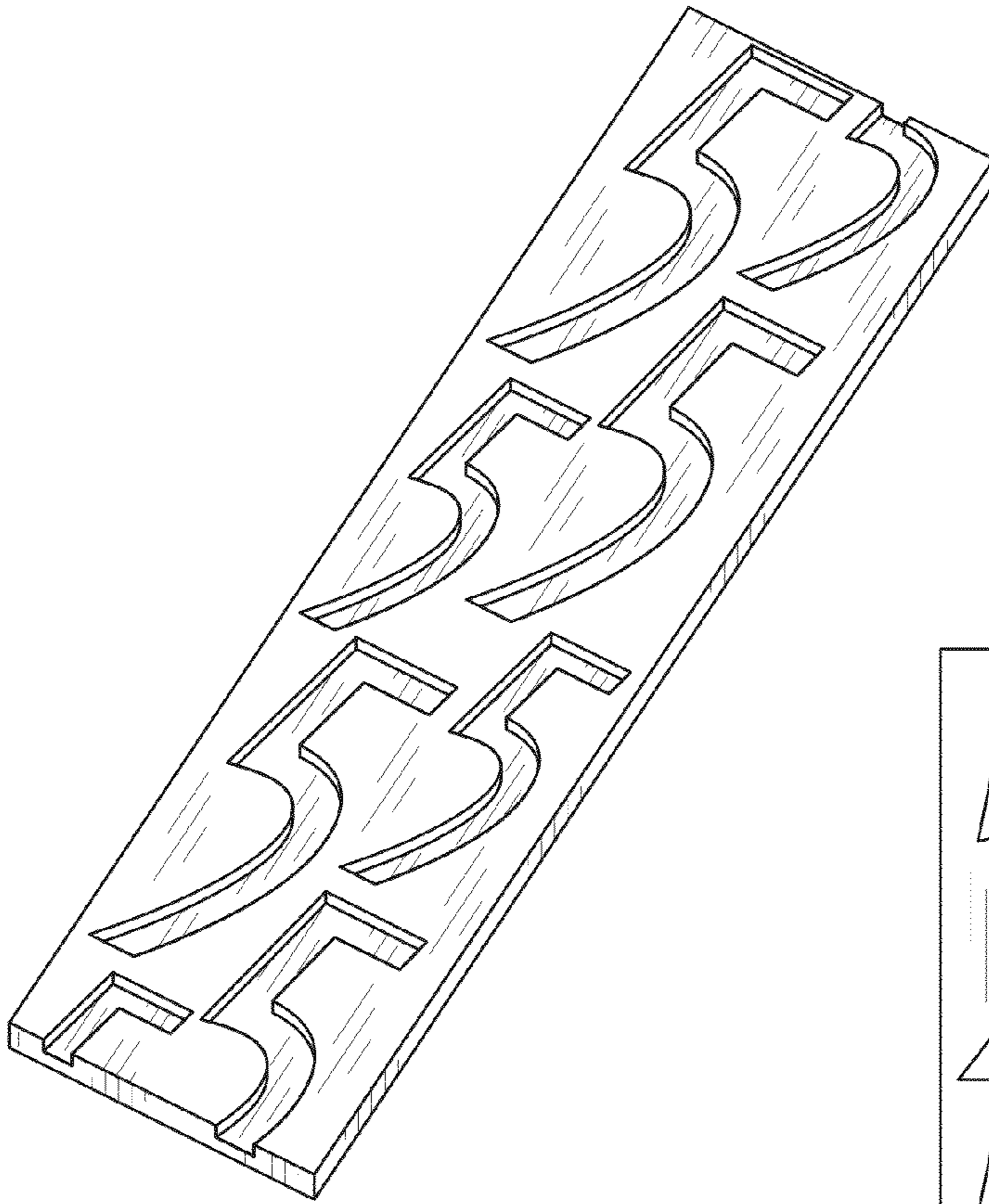
**References Cited**

OTHER PUBLICATIONS

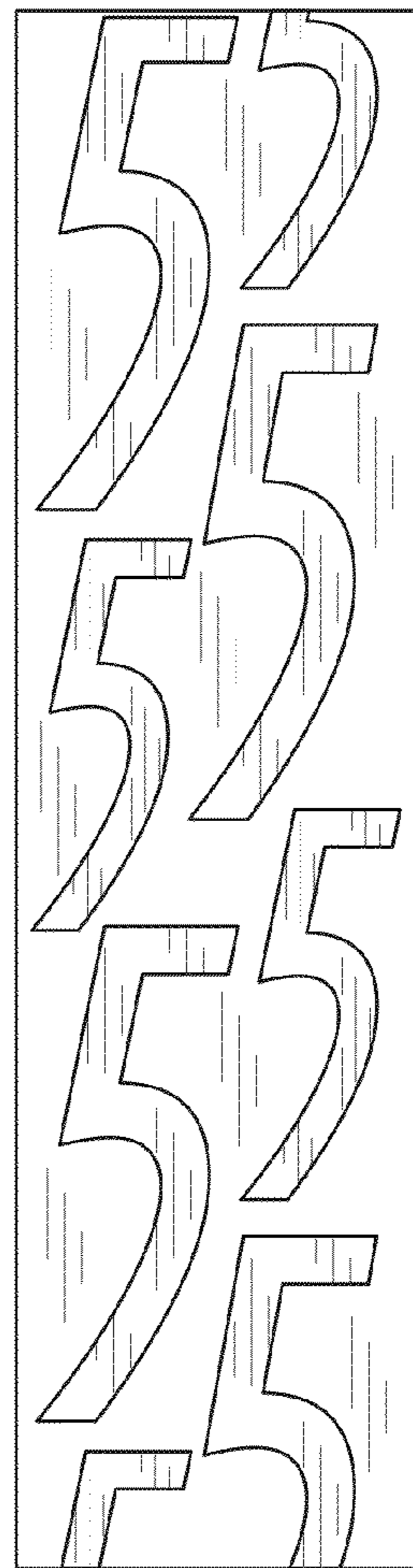
Five Gum II, Dec. 22, 2008. [online.] [retrieved on Jul. 7, 2014]. Retrieved from internet <URL: <http://www.sodahead.com/fun/what-kind-of-5-gum-do-you-like-the-best/question-215144/?link=ibaf&q=&esrc=s>>.\*

Printed Chocolate, Mar. 17, 2012. [online.] [retrieved on Jul. 11, 2014]. Retrieved from internet <URL: <http://daisysworld.net/2012/03/17/candies-and-confections-part-2-moulded-chocolates/>>.\*

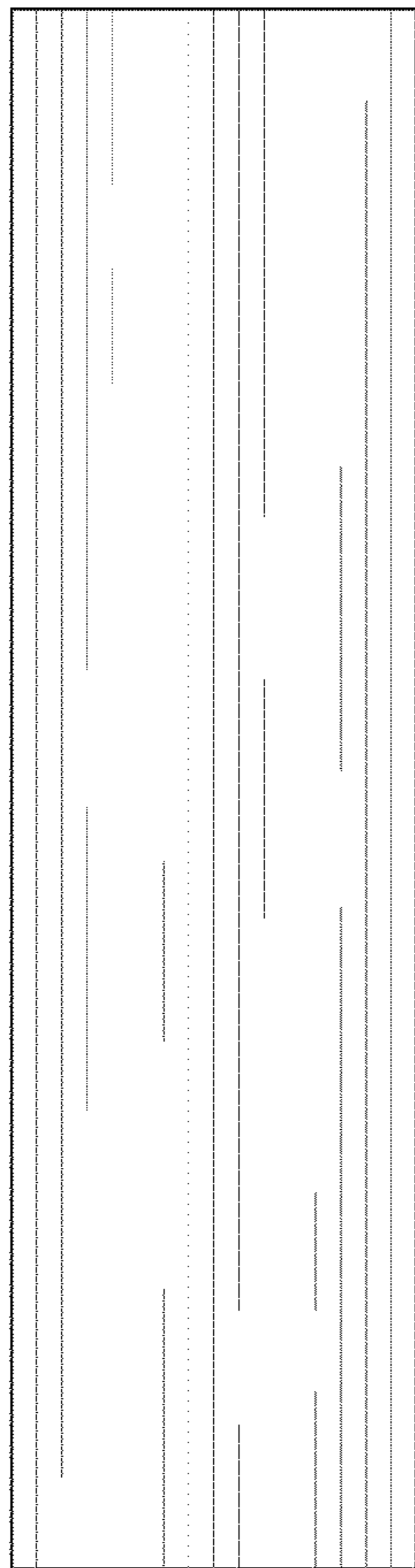
\* cited by examiner



**FIG. 1**



**FIG. 2**



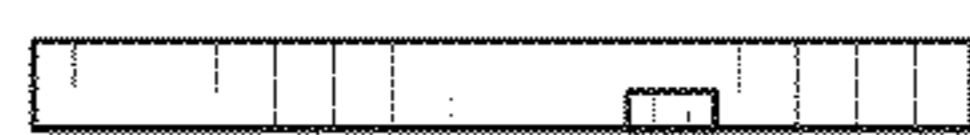
**FIG. 3**



**FIG. 4**



**FIG. 5**



**FIG. 6**



**FIG. 7**