



US00D750865S

(12) **United States Design Patent**
Ice-ton et al.

(10) **Patent No.:** **US D750,865 S**
(45) **Date of Patent:** **** Mar. 1, 2016**

(54) **COLLAPSIBLE HOIST FOR AN ANIMAL CARCASS**

6,390,450 B1 * 5/2002 Bressner 254/124
B66F 9/06
254/17

(71) Applicants: **Russell Ice-ton**, Black Diamond (CA);
Peggy Ice-ton, Black Diamond (CA)

7,201,552 B1 4/2007 Angel et al.
7,374,388 B2 5/2008 Holt
7,544,032 B1 * 6/2009 Scott, Jr. B60P 1/5471
280/847

(72) Inventors: **Russell Ice-ton**, Black Diamond (CA);
Peggy Ice-ton, Black Diamond (CA)

7,604,450 B1 * 10/2009 Calvery B66C 23/44
212/180

(**) Term: **14 Years**

7,625,269 B2 12/2009 Godwin
D641,944 S * 7/2011 Zhou D34/33
D683,515 S * 5/2013 Decker D34/33
D713,613 S * 9/2014 Miles D34/33

(21) Appl. No.: **29/510,309**

2002/0168258 A1 11/2002 Philipps et al.
2012/0280464 A1 * 11/2012 Nelson A61G 7/1067
280/86.75

(22) Filed: **Nov. 26, 2014**

(51) **LOC (10) Cl.** **12-05**

* cited by examiner

(52) **U.S. Cl.**
USPC **D34/33**

(58) **Field of Classification Search**
USPC D34/28-38; 280/86.75; 5/85.1, 86.1,
5/87.1, 81.1 R, 901, 83.1, 89.1; 254/8 B,
254/124, 4 B, 17, 2 R, 4 R, 89 H, 134, 86.1;
414/421, 47.15, 19, 331.06, 420, 444,
414/622, 667, 785, 462
CPC B66C 23/50; B66C 23/36; B66C 23/48;
B66C 23/62; B66C 19/02; B66F 9/12; B66F
9/18; B66F 9/06
See application file for complete search history.

Primary Examiner — Cynthia Ramirez
Assistant Examiner — Gino Colan

(74) *Attorney, Agent, or Firm* — Robert C. Montgomery;
Montgomery Patent & Design

(57) **CLAIM**

The ornamental design for a collapsible hoist for an animal carcass, as shown and described.

DESCRIPTION

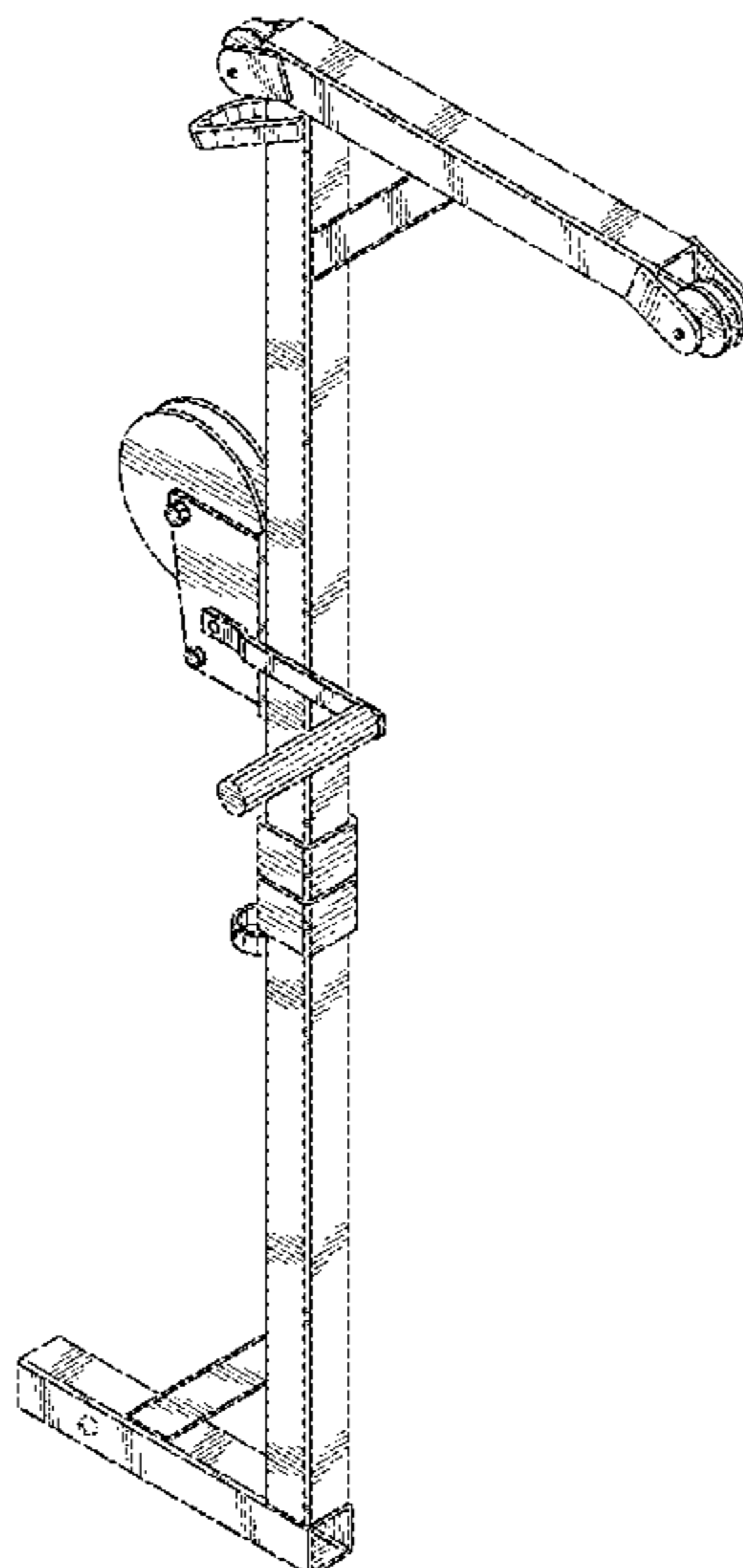
FIG. 1 is a perspective front view of the collapsible hoist for an animal carcass, showing our new design;
FIG. 2 is a front view thereof;
FIG. 3 is a back view thereof;
FIG. 4 is a left side view thereof;
FIG. 5 is a right side view thereof;
FIG. 6 is a top side view thereof; and,
FIG. 7 is a bottom side view thereof.
The broken lines are intended to show boundary areas and form no part of our claimed design.

(56) **References Cited**

U.S. PATENT DOCUMENTS

- 5,082,127 A * 1/1992 Huang B66C 23/48
212/181
- D358,696 S * 5/1995 Mims D34/28
- D374,208 S * 10/1996 Eva, Jr. D12/408
- 5,662,451 A 9/1997 Muzzi et al.
- 5,791,858 A 8/1998 Sasser
- D429,051 S * 8/2000 Porter D34/33
- 6,109,855 A 8/2000 Vela-Cuellar
- 6,276,665 B1 * 8/2001 Hawkins B66C 23/48

1 Claim, 7 Drawing Sheets



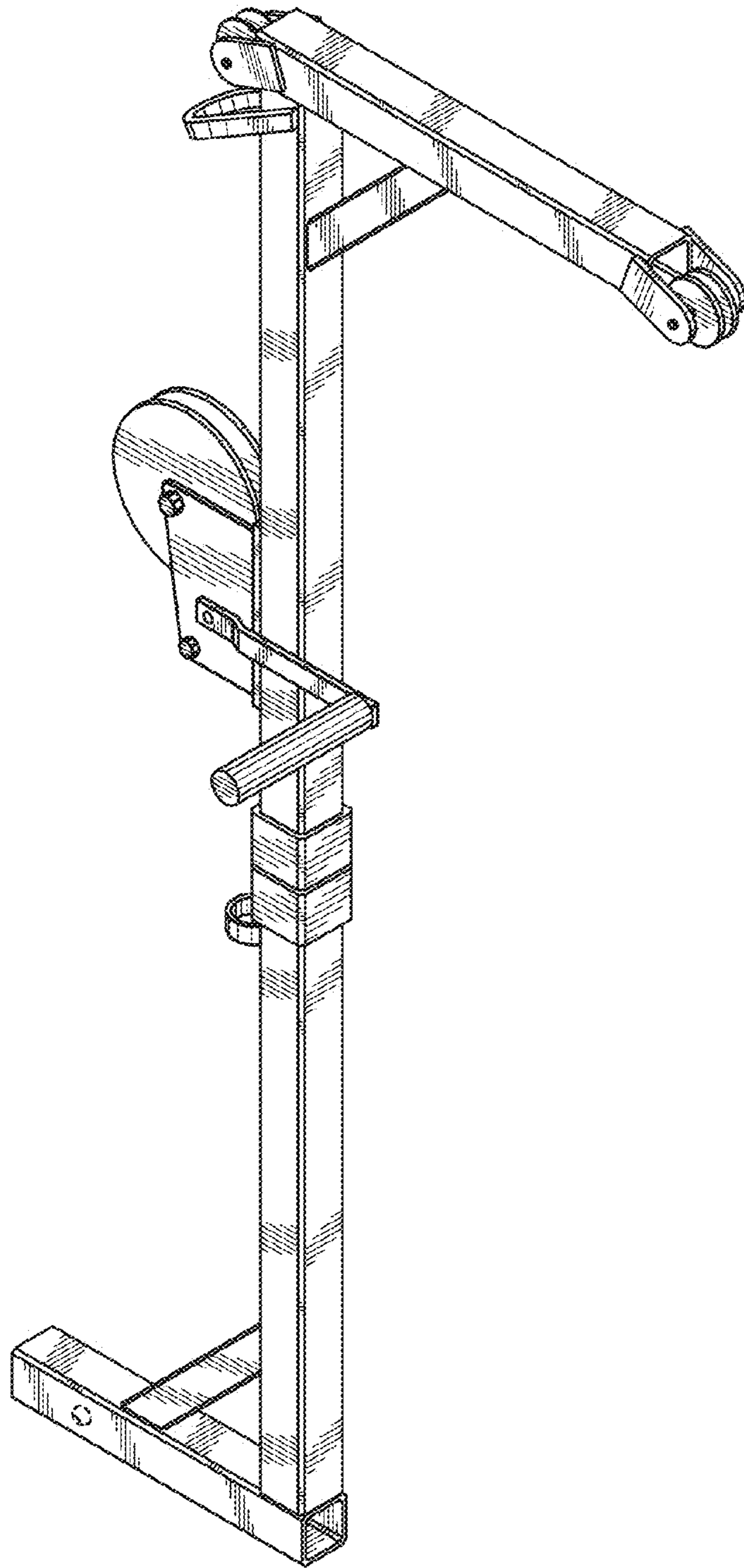


Fig. 1

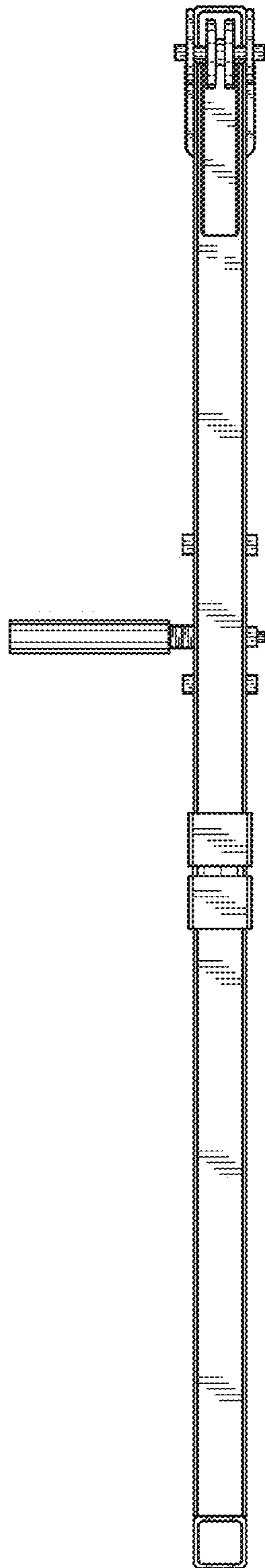


Fig. 2

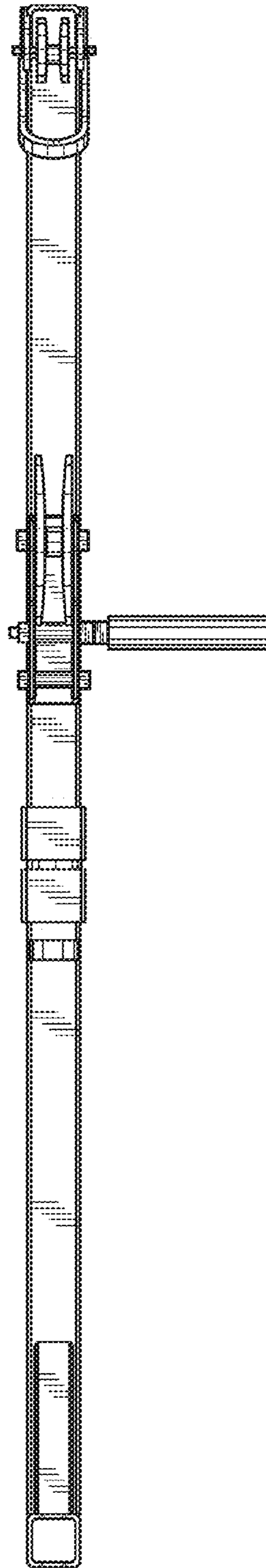


Fig. 3

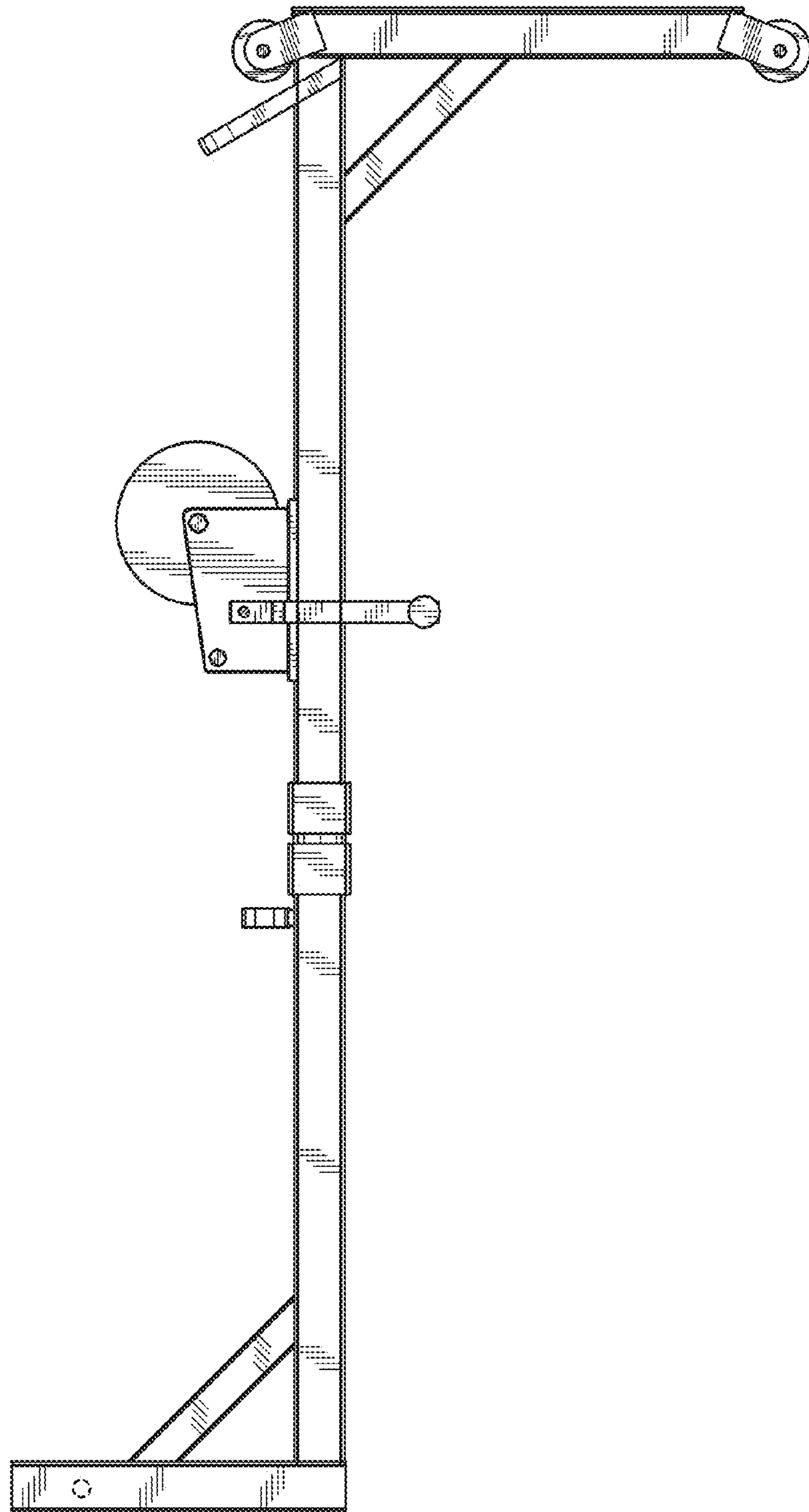


Fig. 4

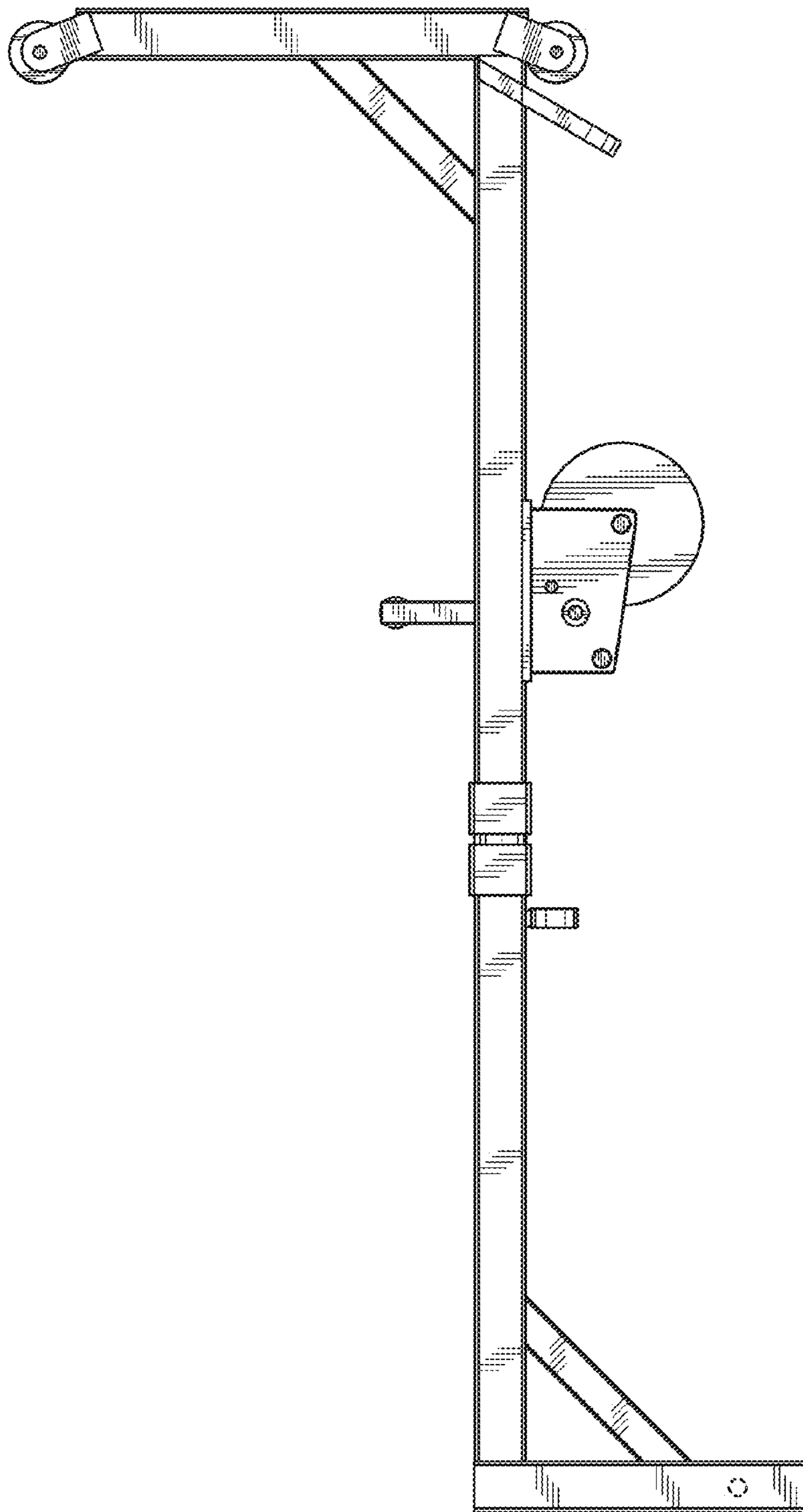


Fig. 5

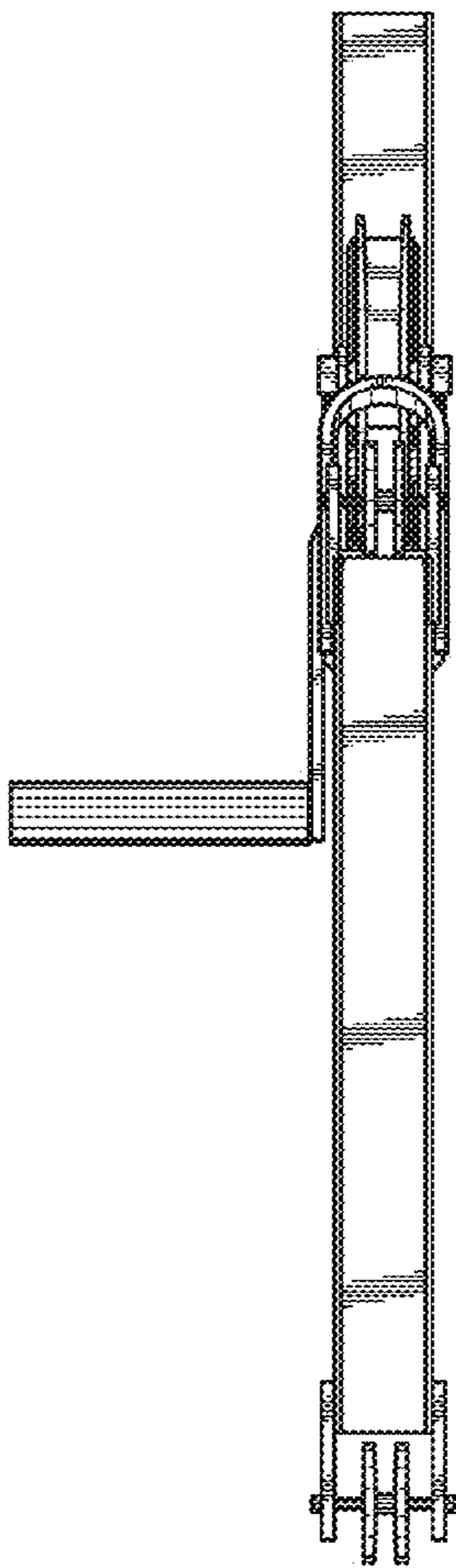


Fig. 6

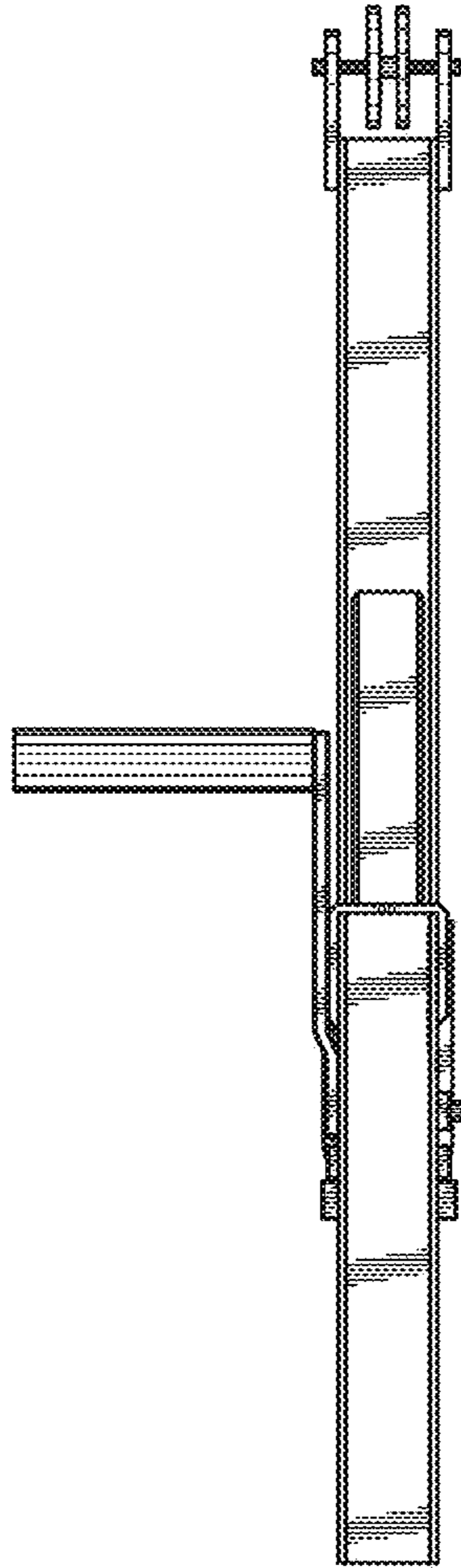


Fig. 7