



US00D750864S

(12) **United States Design Patent**
Roessler et al.

(10) **Patent No.:** **US D750,864 S**
(45) **Date of Patent:** **** Mar. 1, 2016**

(54) **CONVEYOR BELT TIGHTENER**
(71) Applicant: **Bryant Products Inc.**, Ixonia, WI (US)
(72) Inventors: **David Allen Roessler**, Hartland, WI (US); **Todd Allen Brennecke**, Watertown, WI (US); **Daniel Martin Genz**, Watertown, WI (US); **Frederick Harold Thimmel, Jr.**, Hartland, WI (US); **Jeffrey Cathers Steiner**, Menomonee Falls, WI (US)
(73) Assignee: **Bryant Products Inc.**, Ixonia, WI (US)

(**) Term: **14 Years**
(21) Appl. No.: **29/466,322**
(22) Filed: **Sep. 6, 2013**
(51) **LOC (10) Cl.** **12-05**
(52) **U.S. Cl.**
USPC **D34/29**
(58) **Field of Classification Search**
USPC D34/28-39; 474/134, 136, 113, 101, 474/114; 198/674, 778, 813, 812, 816, 817, 198/835, 780, 781.01, 842
CPC B65G 23/44; B65G 39/16; B65G 39/00
See application file for complete search history.

(56) **References Cited**
U.S. PATENT DOCUMENTS
3,403,774 A * 10/1968 Mayrath 198/674
3,832,910 A 9/1974 Bryant
4,437,648 A * 3/1984 Thorn et al. 254/93 R
4,803,804 A 2/1989 Bryant
5,030,173 A 7/1991 Bryant

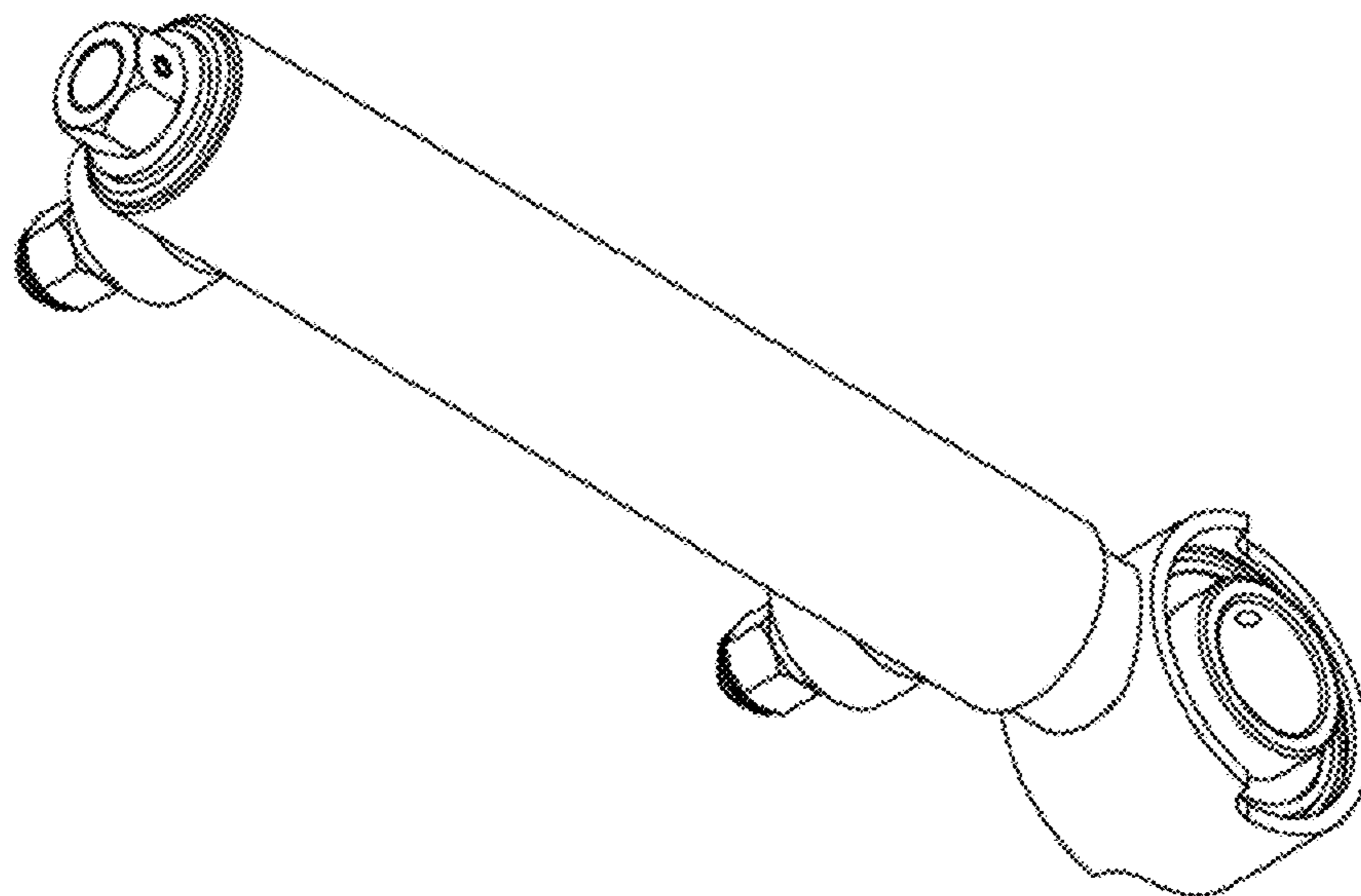
5,054,608 A 10/1991 Bryant
5,259,821 A 11/1993 Bryant
5,660,347 A * 8/1997 Baker 242/379.1
6,209,715 B1 * 4/2001 Eltvedt 198/813
6,305,529 B1 * 10/2001 Scottie 198/842
6,638,191 B1 * 10/2003 Hankins et al. 474/113
6,685,009 B1 * 2/2004 Hosch et al. 198/813

* cited by examiner
Primary Examiner — Cynthia Ramirez
Assistant Examiner — Gino Colan
(74) *Attorney, Agent, or Firm* — Craig A. Fieschko, Esq.; DeWitt Ross & Stevens S.C.

(57) **CLAIM**
The ornamental design for a conveyor belt tightener, as shown and described.

DESCRIPTION
FIG. 1 is a perspective view of a conveyor belt tightener showing my design, showing the tightener from its bottom, rear, and right sides;
FIG. 2 is another perspective view of the tightener showing my design, showing the tightener from its top, front, and right sides;
FIG. 3 is a top plan view of the tightener;
FIG. 4 is an elevational view of the left side of the tightener;
FIG. 5 is a bottom plan view of the tightener;
FIG. 6 is an elevational view of the right side of the tightener;
FIG. 7 is an elevational view of the rear end of the tightener; and,
FIG. 8 is an elevational view of the front end of the tightener.

1 Claim, 3 Drawing Sheets



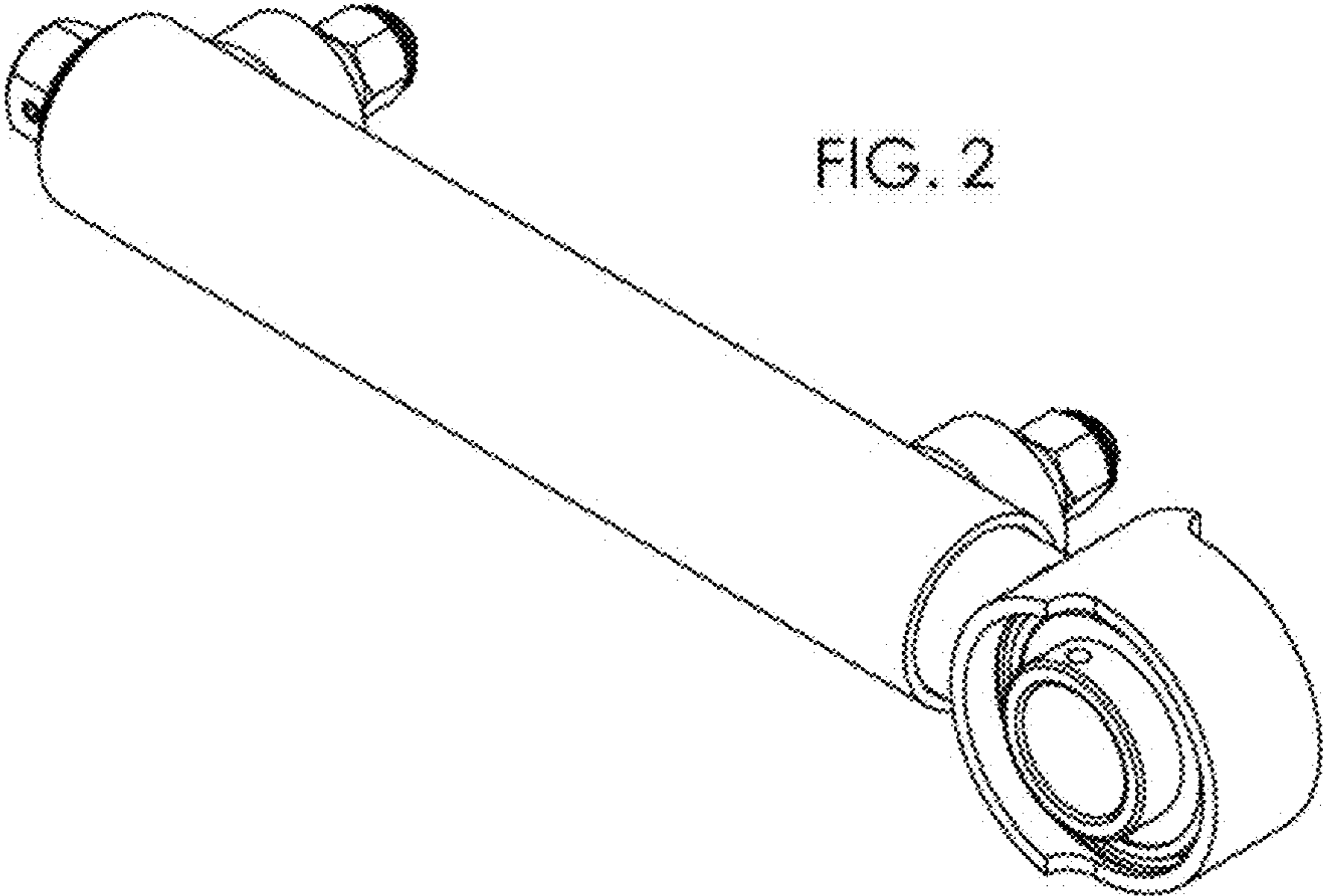
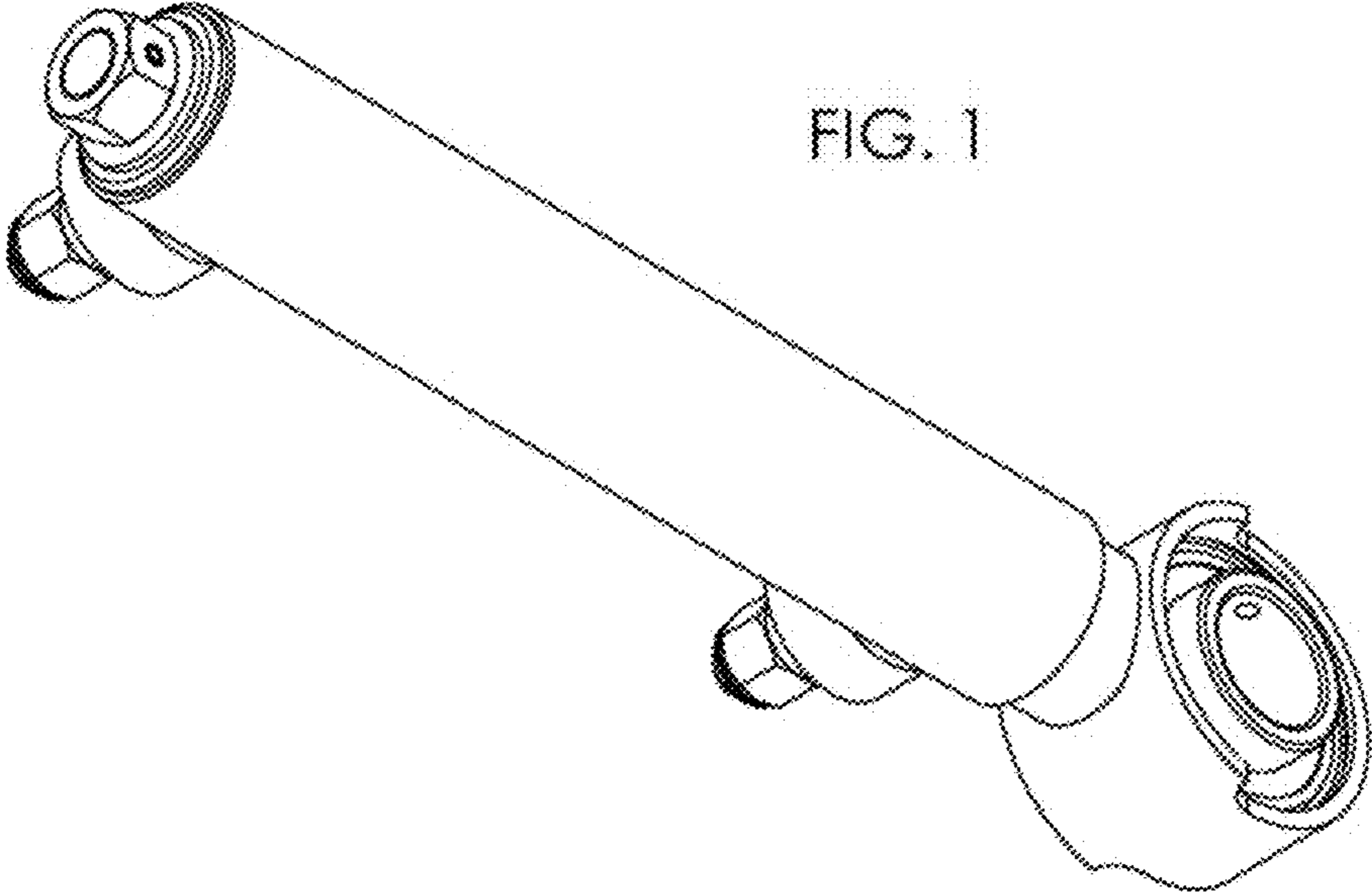


FIG. 3



FIG. 4

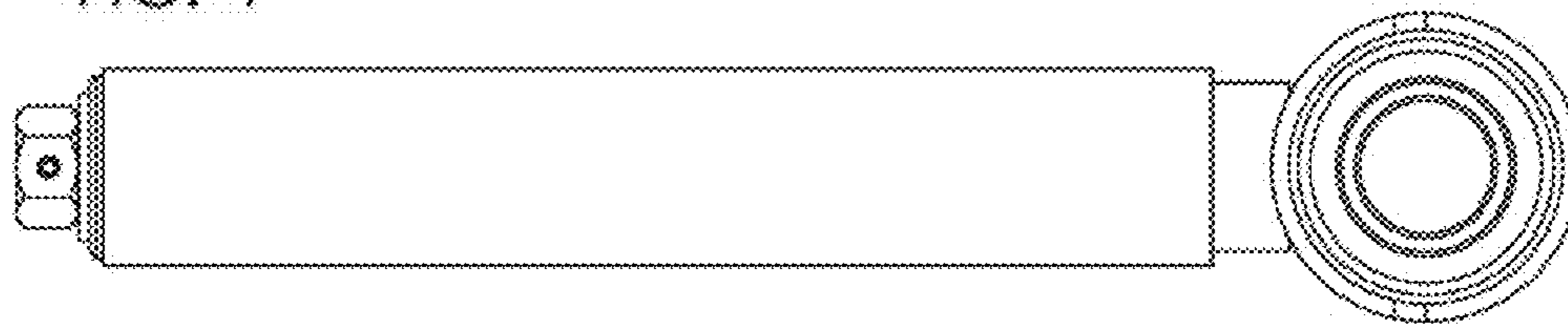


FIG. 5

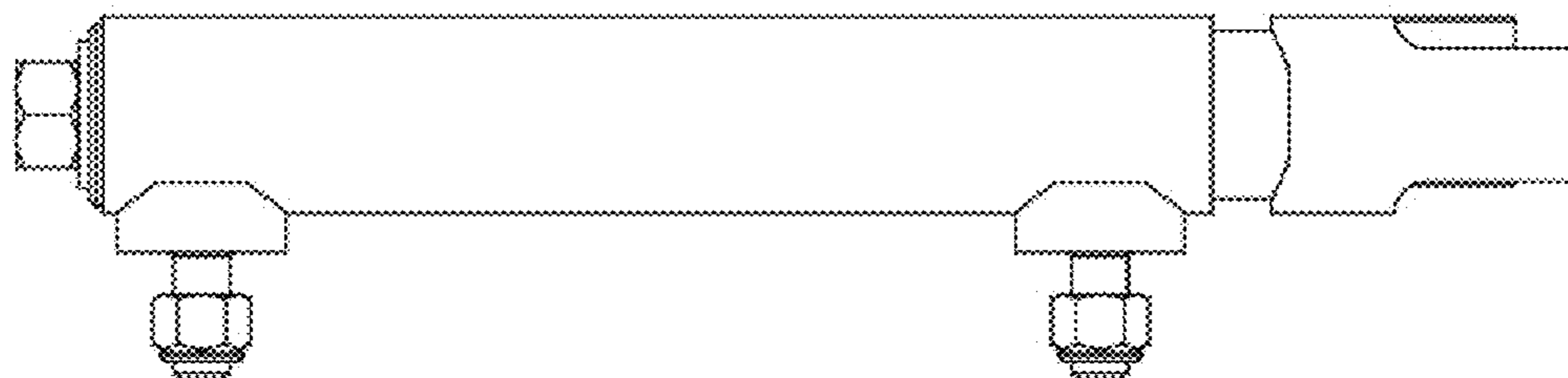


FIG. 6

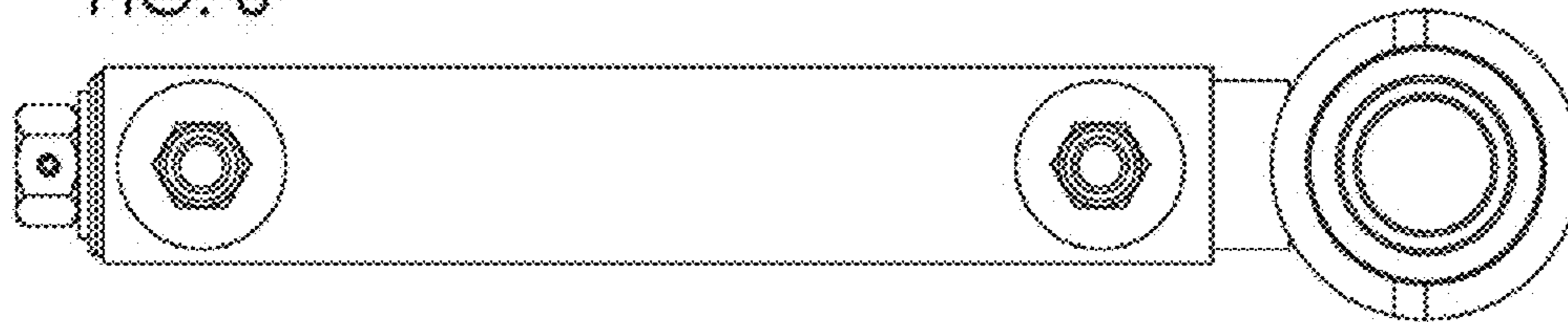


FIG. 7

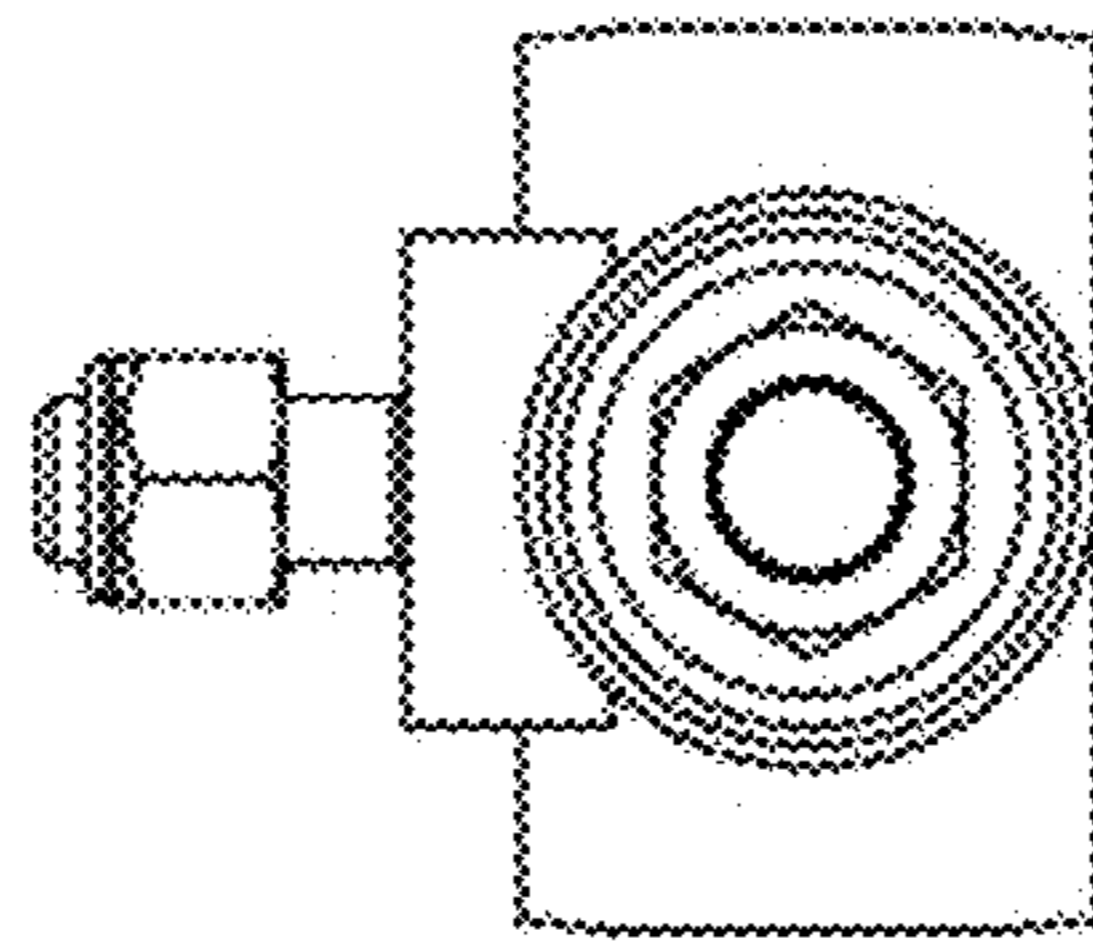


FIG. 8

