



US00D750863S

(12) **United States Design Patent**  
**Wen et al.**

(10) **Patent No.:** **US D750,863 S**  
(45) **Date of Patent:** **\*\* Mar. 1, 2016**

(54) **FORKLIFT**

(71) Applicant: **BYD COMPANY LIMITED**,  
Shenzhen, Guangdong (CN)

(72) Inventors: **Shaohua Wen**, Shenzhen (CN); **Wei Su**,  
Shenzhen (CN); **Shouning Wang**,  
Shezhen (CN); **Mengzhu Zhao**,  
Shenzhen (CN)

(73) Assignee: **BYD COMPANY LIMITED**, Shenzhen  
(CN)

(\*\*) Term: **14 Years**

(21) Appl. No.: **29/503,588**

(22) Filed: **Sep. 26, 2014**

(30) **Foreign Application Priority Data**

Apr. 25, 2014 (CN) ..... 2014 3 0104732

(51) **LOC (10) Cl.** ..... **12-05**

(52) **U.S. Cl.**  
USPC ..... **D34/28**

(58) **Field of Classification Search**  
USPC ..... D34/28, 33, 34; D15/22–26  
CPC ..... B66F 9/00–9/24  
See application file for complete search history.

(56) **References Cited**

**U.S. PATENT DOCUMENTS**

3,232,380	A *	2/1966	Hansen	187/237
D234,050	S *	1/1975	Crawford	D34/34
4,322,107	A *	3/1982	Ishizuka et al.	296/146.11
4,688,981	A *	8/1987	Ravnsborg et al.	414/607
D305,894	S *	2/1990	Kato et al.	D15/23
5,071,187	A *	12/1991	Smith et al.	296/102
D353,931	S *	12/1994	Kobayakawa et al.	D34/34
D354,604	S *	1/1995	Soederberg	D34/34
D355,291	S *	2/1995	Soederberg	D34/28
D355,292	S *	2/1995	Soederberg	D34/28

D356,201	S *	3/1995	Sato et al.	D34/28
D362,329	S *	9/1995	Heiler	D34/34
D371,669	S *	7/1996	Yoon	D34/34
D384,476	S *	9/1997	Rick et al.	D34/34
D386,872	S *	11/1997	Rick et al.	D34/34
D386,877	S *	11/1997	Russey et al.	D34/34
D389,981	S *	1/1998	Donaldson	D34/34
D389,982	S *	1/1998	Kim	D34/34
D393,134	S *	3/1998	Mariano	D34/34
D393,516	S *	4/1998	Hahn et al.	D34/34
D393,517	S *	4/1998	Kim et al.	D34/34
D395,115	S *	6/1998	Russey et al.	D34/34
D395,532	S *	6/1998	Kim	D34/34
D396,928	S *	8/1998	Hahn et al.	D34/34
5,881,842	A *	3/1999	Kikukawa	187/222
D411,681	S *	6/1999	Murakami et al.	D34/34

(Continued)

*Primary Examiner* — Mitchell Siegel

(74) *Attorney, Agent, or Firm* — Morgan, Lewis & Bockius  
LLP

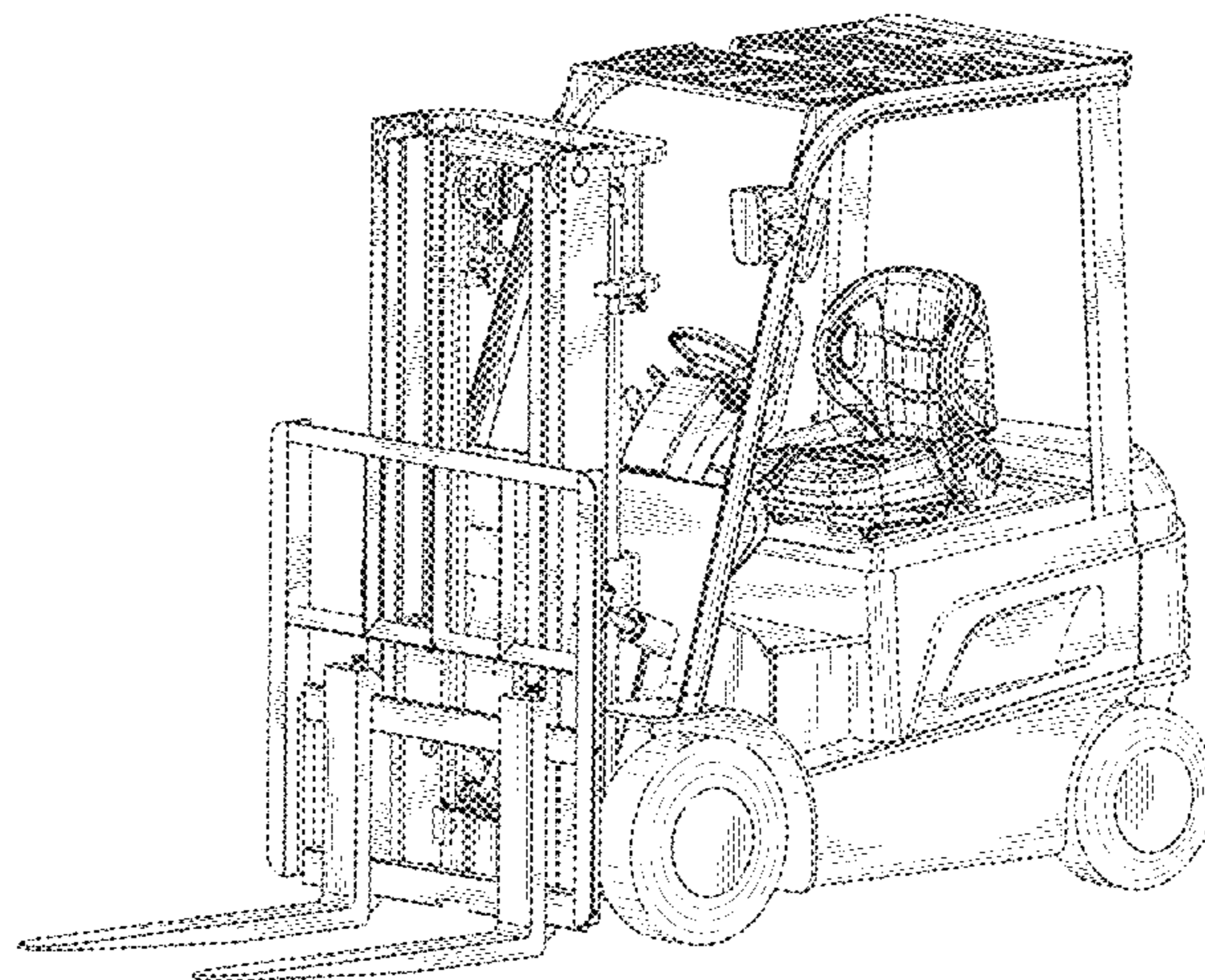
(57) **CLAIM**

The ornamental design for a forklift, as shown and described.

**DESCRIPTION**

FIG. 1 is a front elevation view of a forklift embodying the first inventive design;  
 FIG. 2 is a rear elevation view of FIG. 1 embodying a first inventive design;  
 FIG. 3 is a left side elevation view of FIG. 1 embodying the first inventive design;  
 FIG. 4 is a right side elevation view of FIG. 1 embodying the first inventive design;  
 FIG. 5 is a top elevation view of FIG. 1 embodying the first inventive design;  
 FIG. 6 is a stereogram view of FIG. 1 embodying the first inventive design;  
 FIG. 7 is another stereogram view of FIG. 1 embodying the first inventive design; and,  
 FIG. 8 is another stereogram view of FIG. 1 embodying the first inventive design.

**1 Claim, 8 Drawing Sheets**



(56)

**References Cited**

U.S. PATENT DOCUMENTS

D412,385 S *	7/1999	Murakami et al. ....	D34/34	D466,669 S *	12/2002	Kraimer et al. ....	D34/34
D427,409 S *	6/2000	Sato et al. ....	D34/34	D468,885 S *	1/2003	Salin et al. ....	D34/34
D432,753 S *	10/2000	Braud .....	D34/34	D469,236 S *	1/2003	Mitsuyoshi et al. ....	D34/34
D441,936 S *	5/2001	Brandt et al. ....	D34/28	D536,504 S *	2/2007	Righi .....	D34/34
D448,136 S *	9/2001	Yurushi et al. ....	D34/34	D538,004 S *	3/2007	Kouyama et al. ....	D34/34
D452,598 S *	12/2001	Sato .....	D34/34	D542,503 S *	5/2007	Righi .....	D34/34
D466,268 S *	11/2002	Kraimer et al. ....	D34/34	D557,872 S *	12/2007	Mori et al. ....	D34/35
				D571,073 S *	6/2008	Buchmann et al. ....	D34/35
				8,585,344 B2 *	11/2013	Sharp .....	414/667

\* cited by examiner



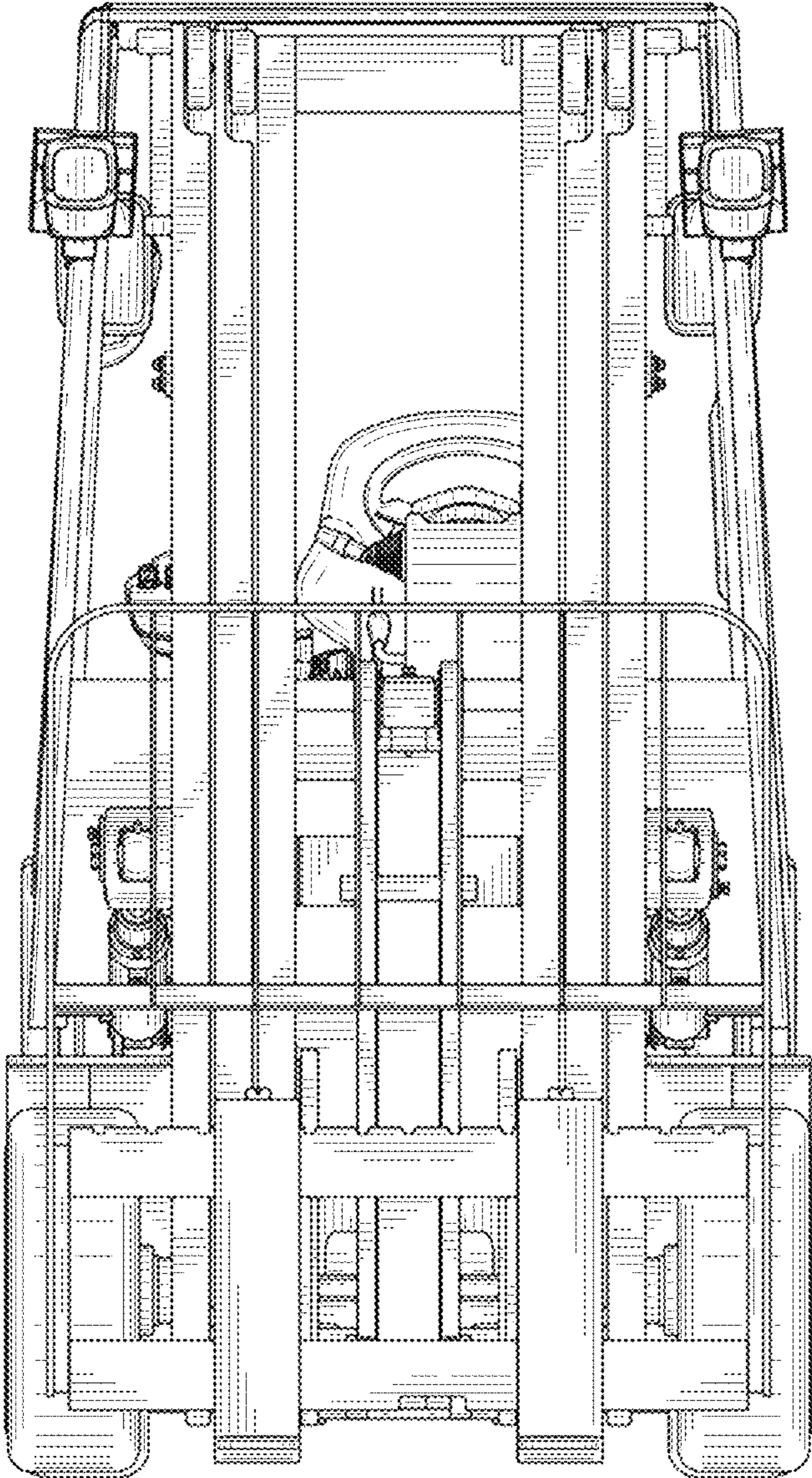


FIG. 1

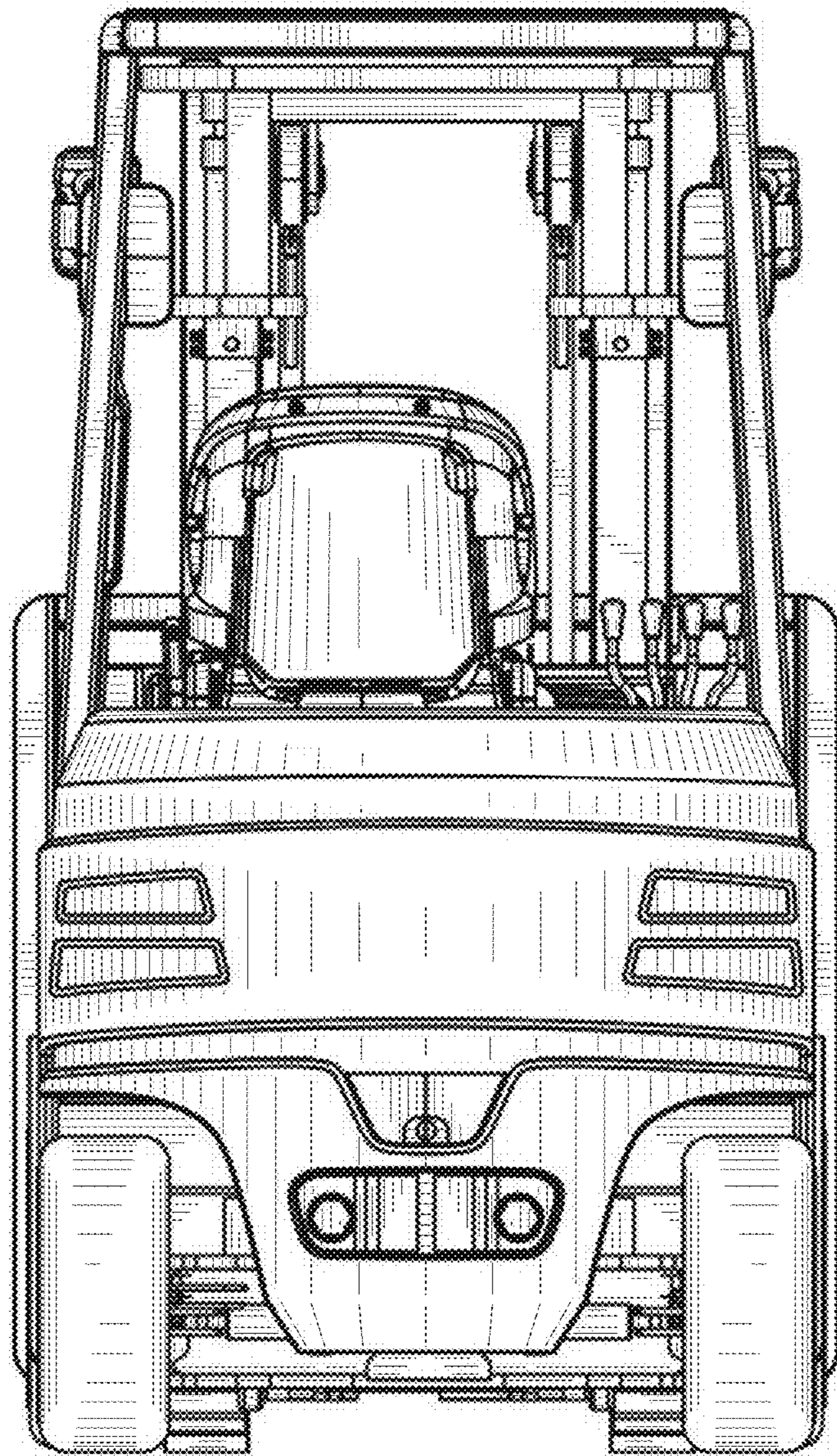


FIG. 2



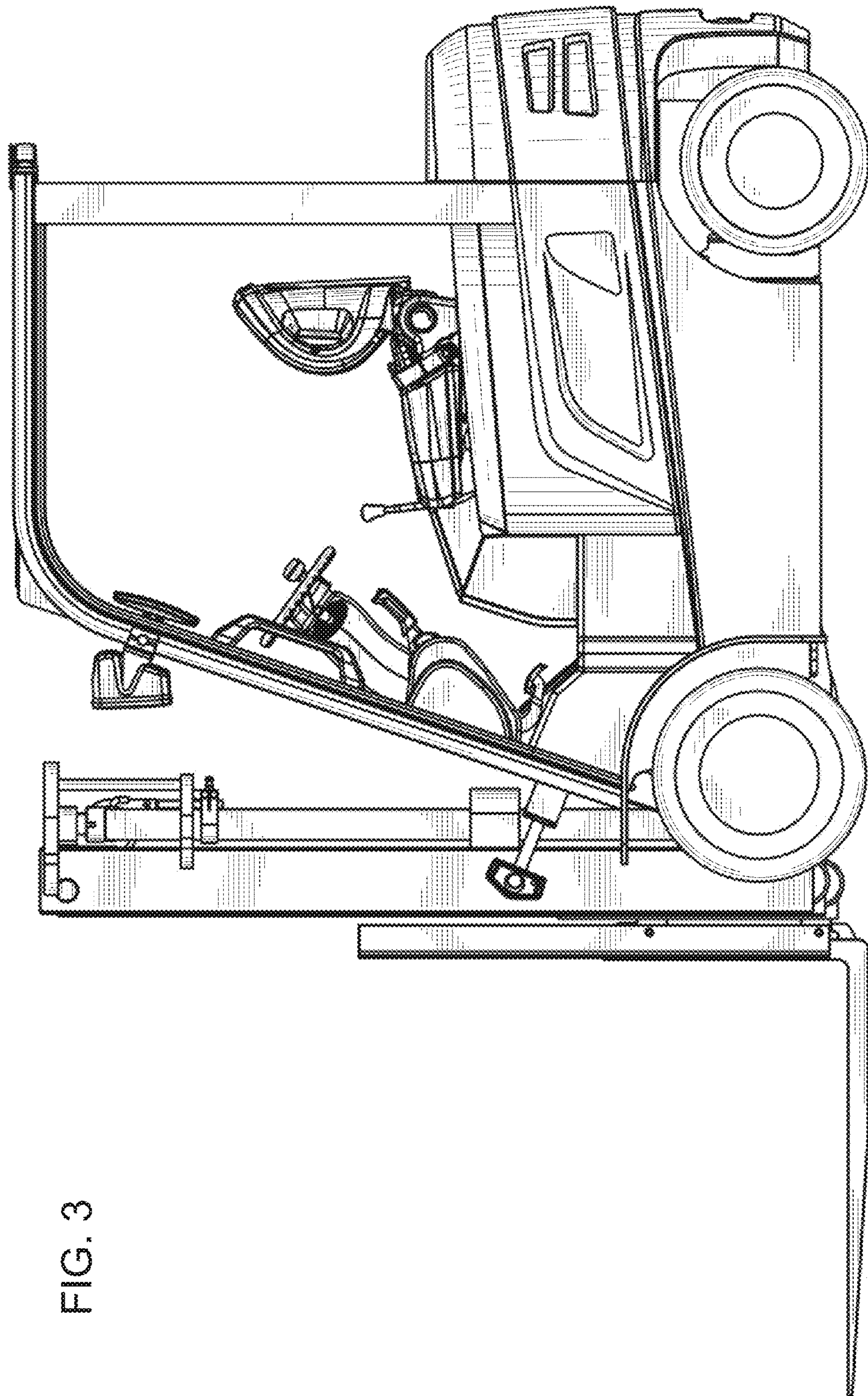


FIG. 3

FIG. 4

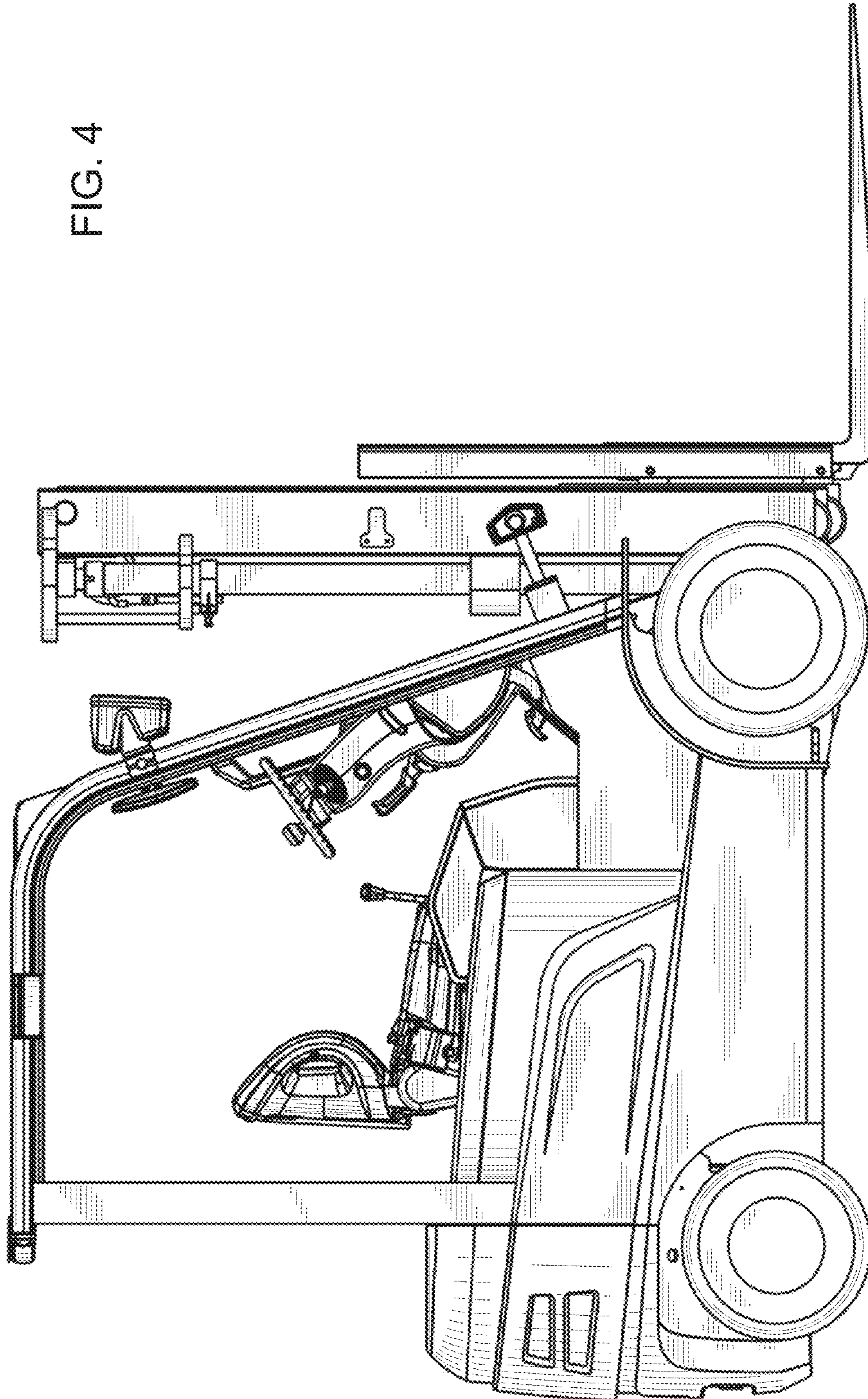
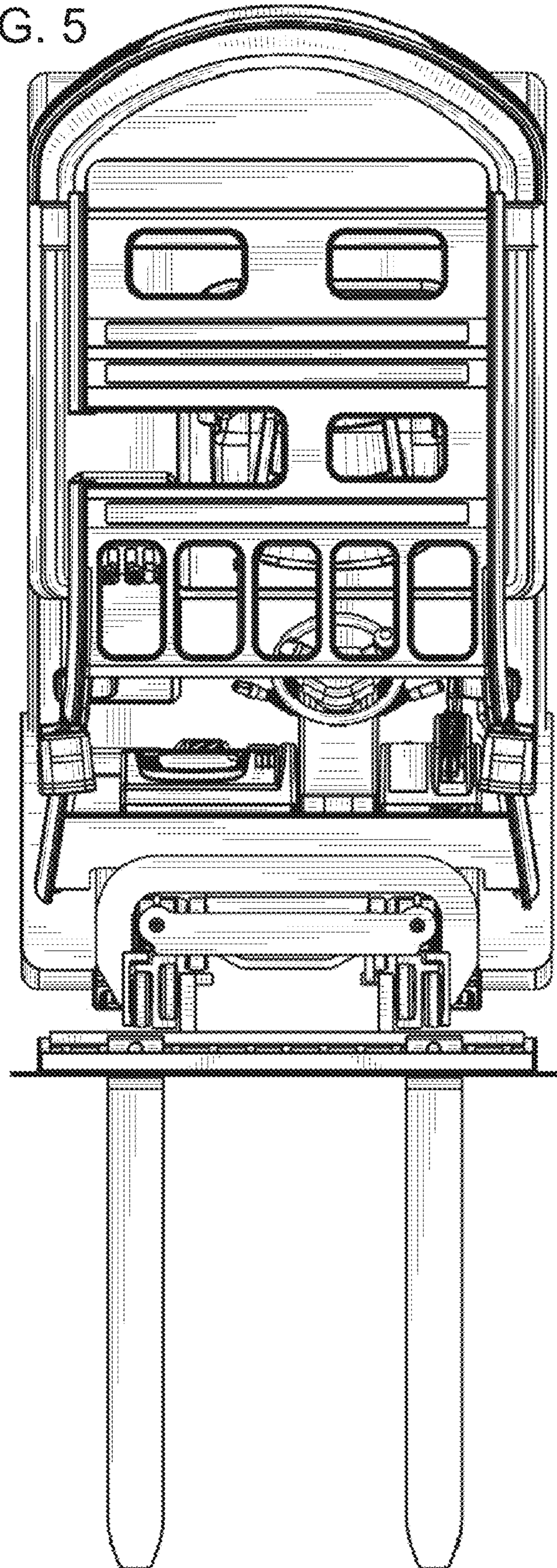




FIG. 5



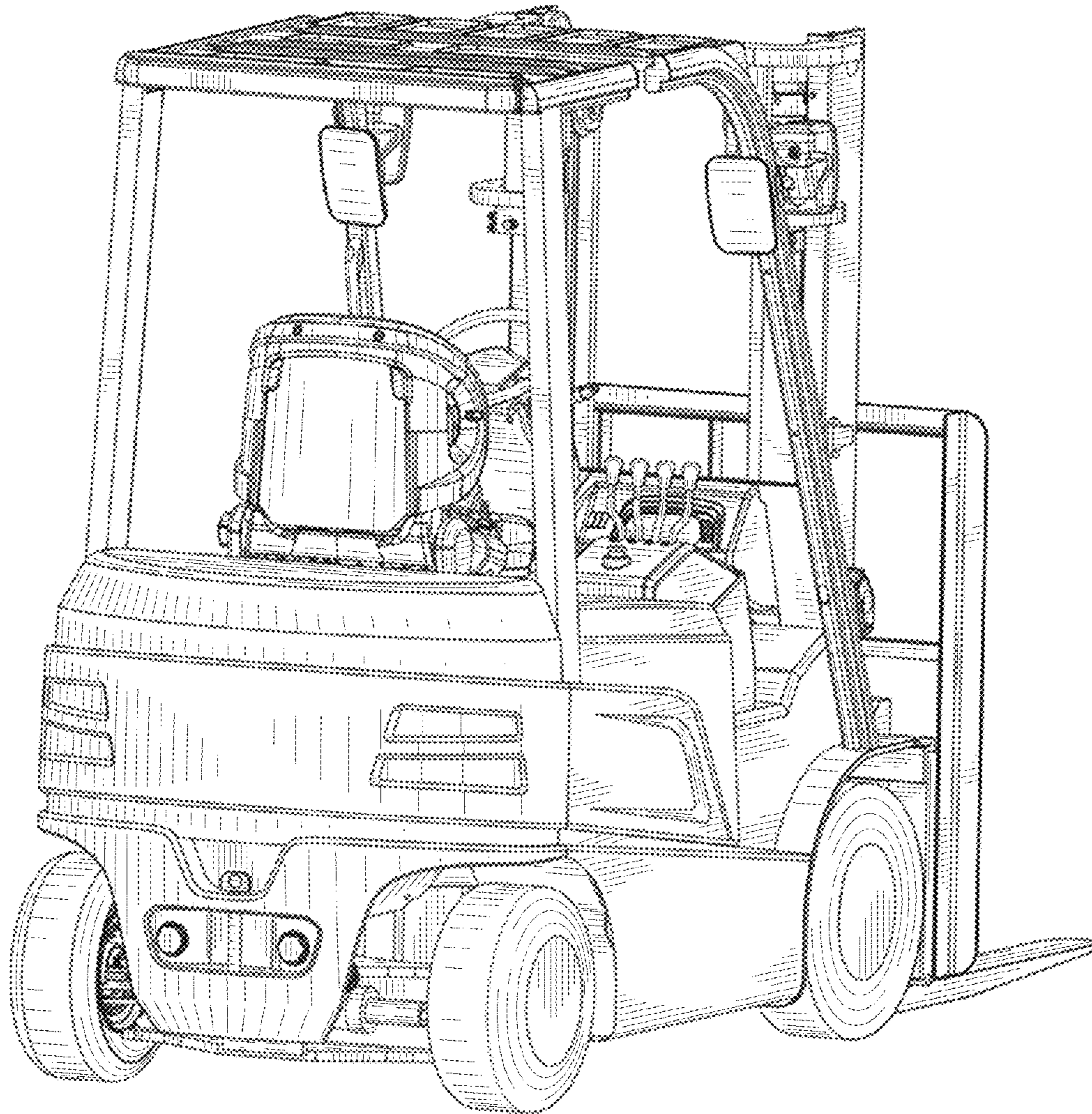


FIG. 6



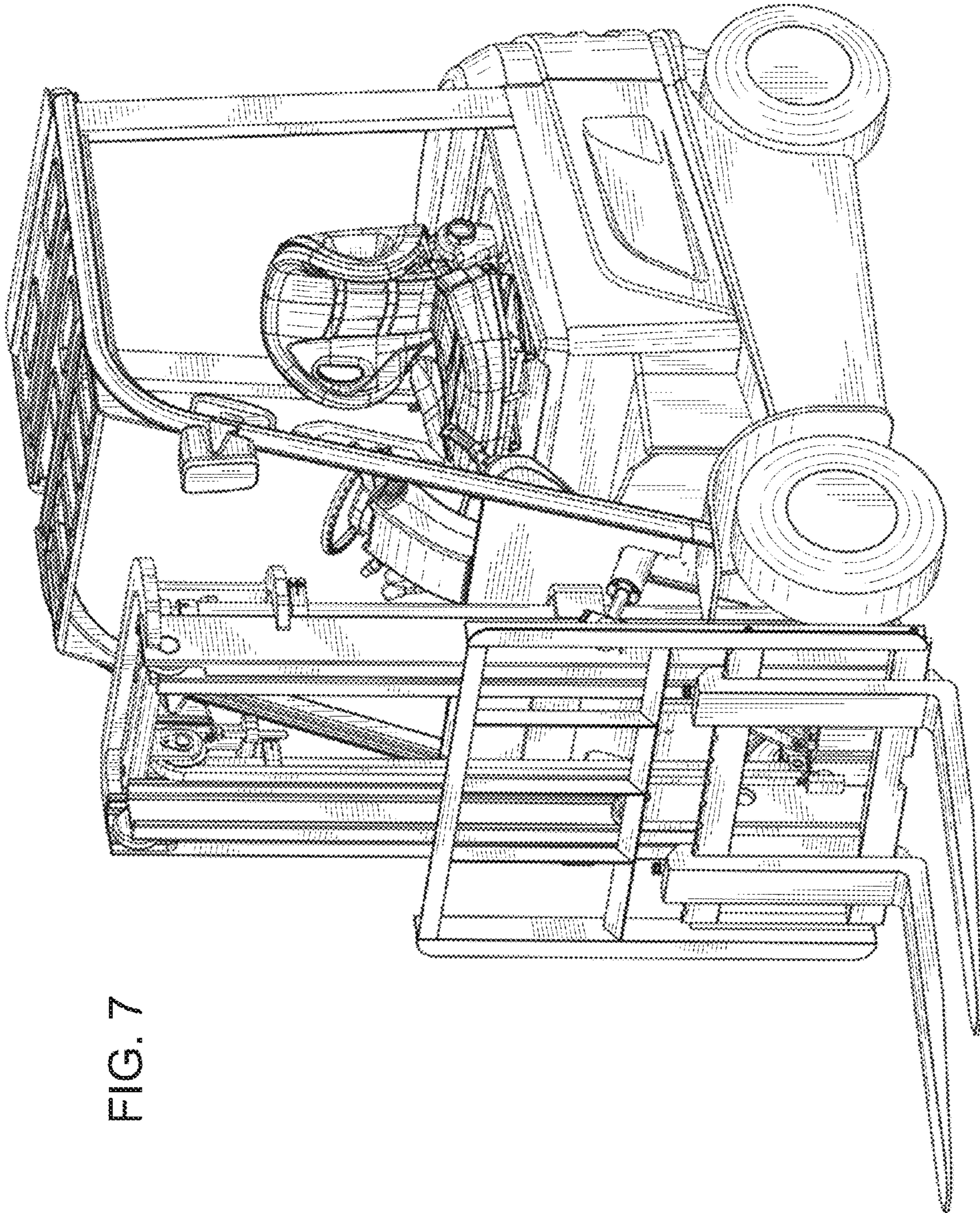


FIG. 7



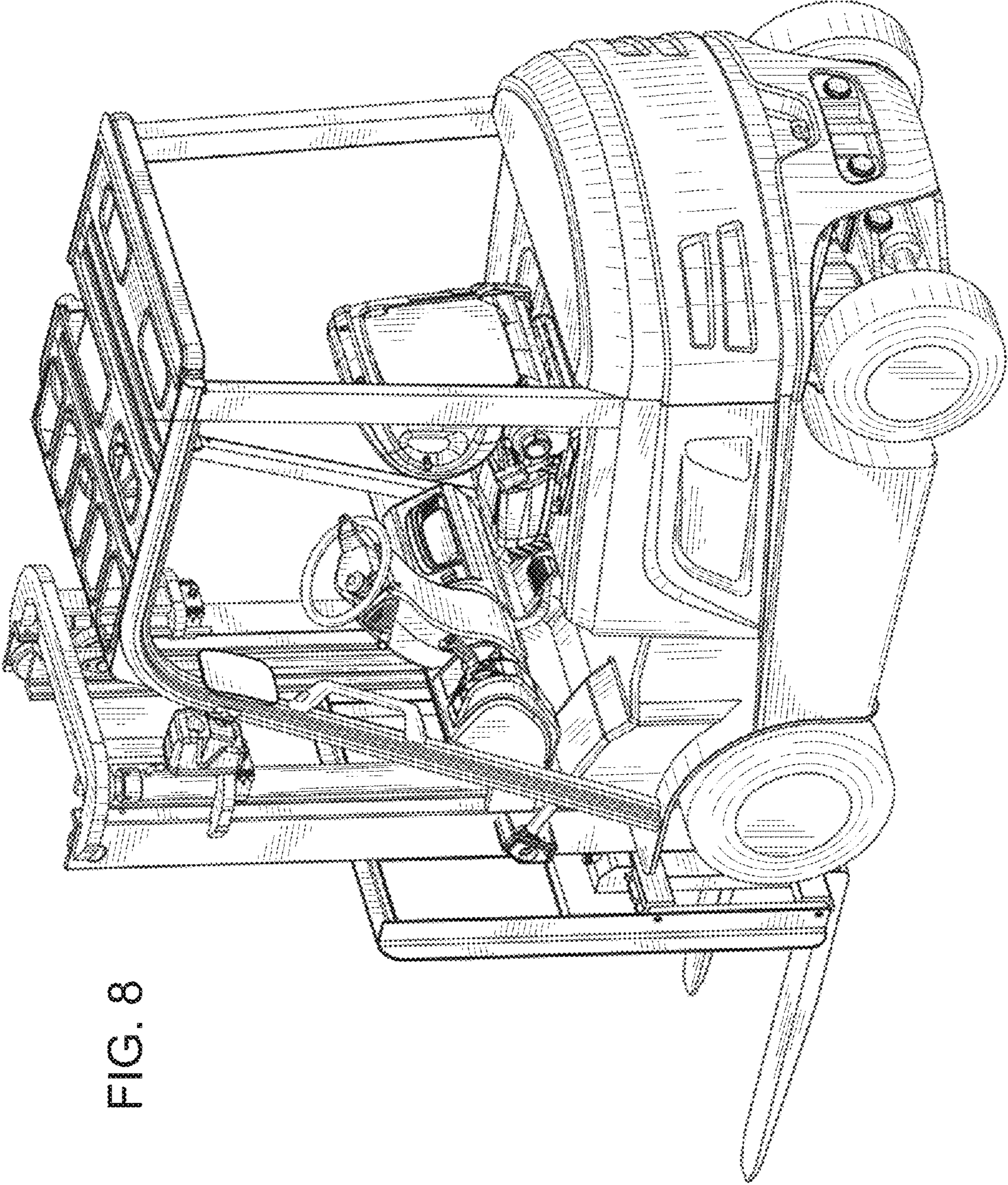


FIG. 8