



US00D750862S

(12) **United States Design Patent**  
**Roush**

(10) **Patent No.:** **US D750,862 S**

(45) **Date of Patent:** **\*\* Mar. 1, 2016**

(54) **SHOPPING CART CONTAINER**

(71) Applicant: **Juanita Roush**, Garrett, IN (US)

(72) Inventor: **Juanita Roush**, Garrett, IN (US)

(\*\*) Term: **14 Years**

(21) Appl. No.: **29/474,651**

(22) Filed: **Dec. 15, 2014**

(51) **LOC (10) Cl.** ..... **12-02**

(52) **U.S. Cl.**  
USPC ..... **D34/27**

(58) **Field of Classification Search**  
USPC ..... D34/27; 280/33.991, 33.992, 33.993;  
D3/304, 315; D6/513, 567, 525  
CPC ..... B62B 5/0013; B62B 3/1404; B62B 3/14;  
B62B 3/1468; B62B 3/1464  
See application file for complete search history.

(56) **References Cited**

**U.S. PATENT DOCUMENTS**

D339,017 S *	9/1993	Goodman	.....	D6/567
D364,058 S *	11/1995	Wilk	.....	D6/513
5,494,308 A *	2/1996	Southerland	.....	B62B 3/1468 220/495.01
D451,054 S *	11/2001	Thom	.....	D3/307
D484,666 S *	12/2003	Caya	.....	D3/304
D536,502 S *	2/2007	Weigand	.....	D34/27

D536,503 S *	2/2007	Weigand	.....	D34/27
D636,198 S *	4/2011	Gibbs	.....	D6/513
D667,634 S *	9/2012	Link	.....	D3/315
D685,993 S *	7/2013	Hylton	.....	D3/304
D699,045 S *	2/2014	Gomes	.....	D6/513

\* cited by examiner

*Primary Examiner* — Cynthia Ramirez

(74) *Attorney, Agent, or Firm* — Paul R. Martin

(57) **CLAIM**

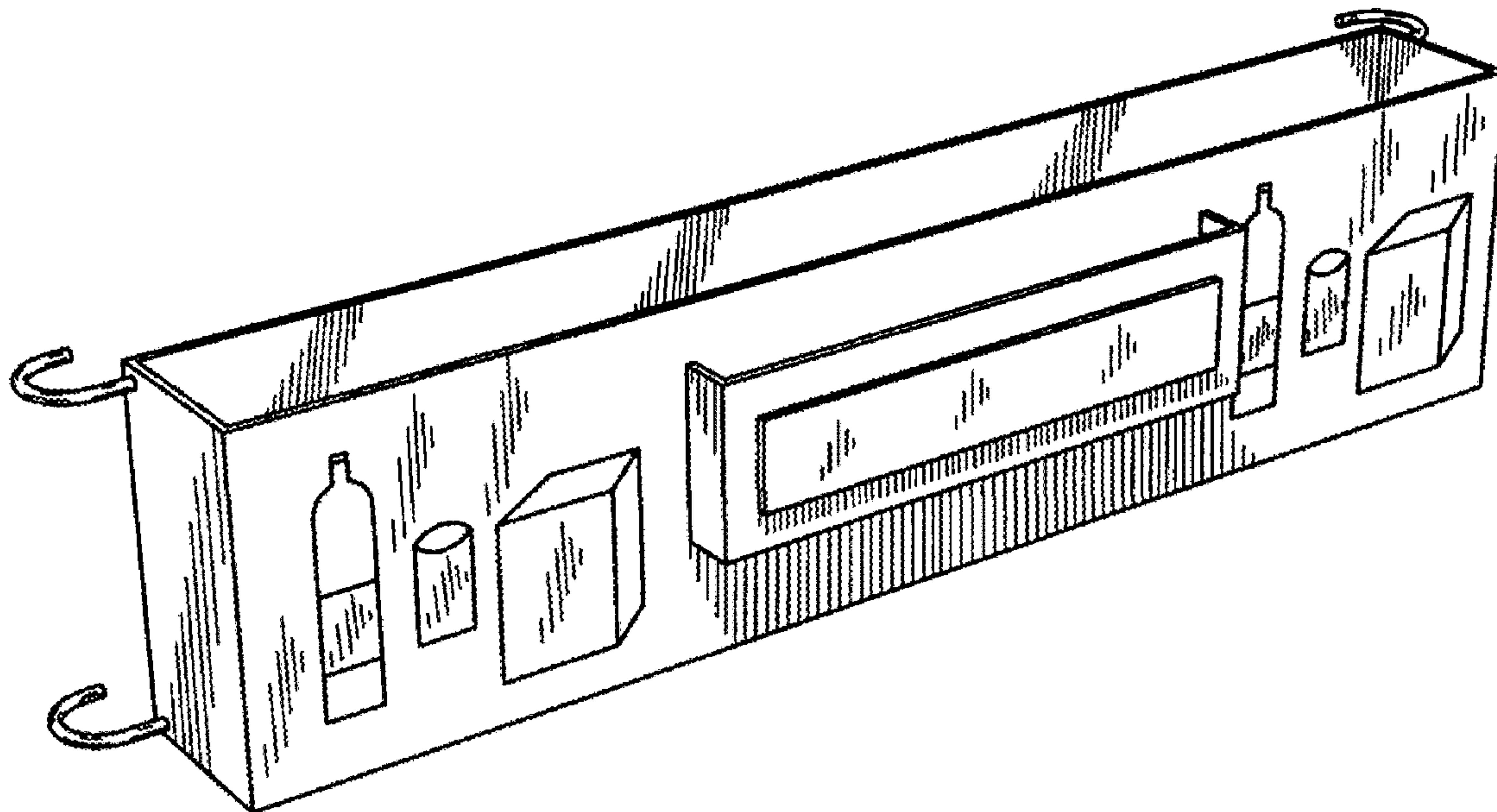
The ornamental design for a shopping cart container, as shown and described.

**DESCRIPTION**

FIG. 1 is a perspective view shopping cart container of my new design attached to the inside front wall of a shopping cart. FIG. 2 Is a perspective view of the shopping cart container of my new design. FIG. 3 is a back elevational view thereof. FIG. 4 is a front elevational view thereof. FIG. 5 is an elevational view of one end thereof. FIG. 6 is an elevational view of the opposite end thereof. FIG. 7 is a bottom plan view thereof; and, FIG. 8 is a top plan view thereof.

The broken line element in FIG. 1, showing a shopping cart, is an environmental element and forms no part of my new design.

**1 Claim, 4 Drawing Sheets**



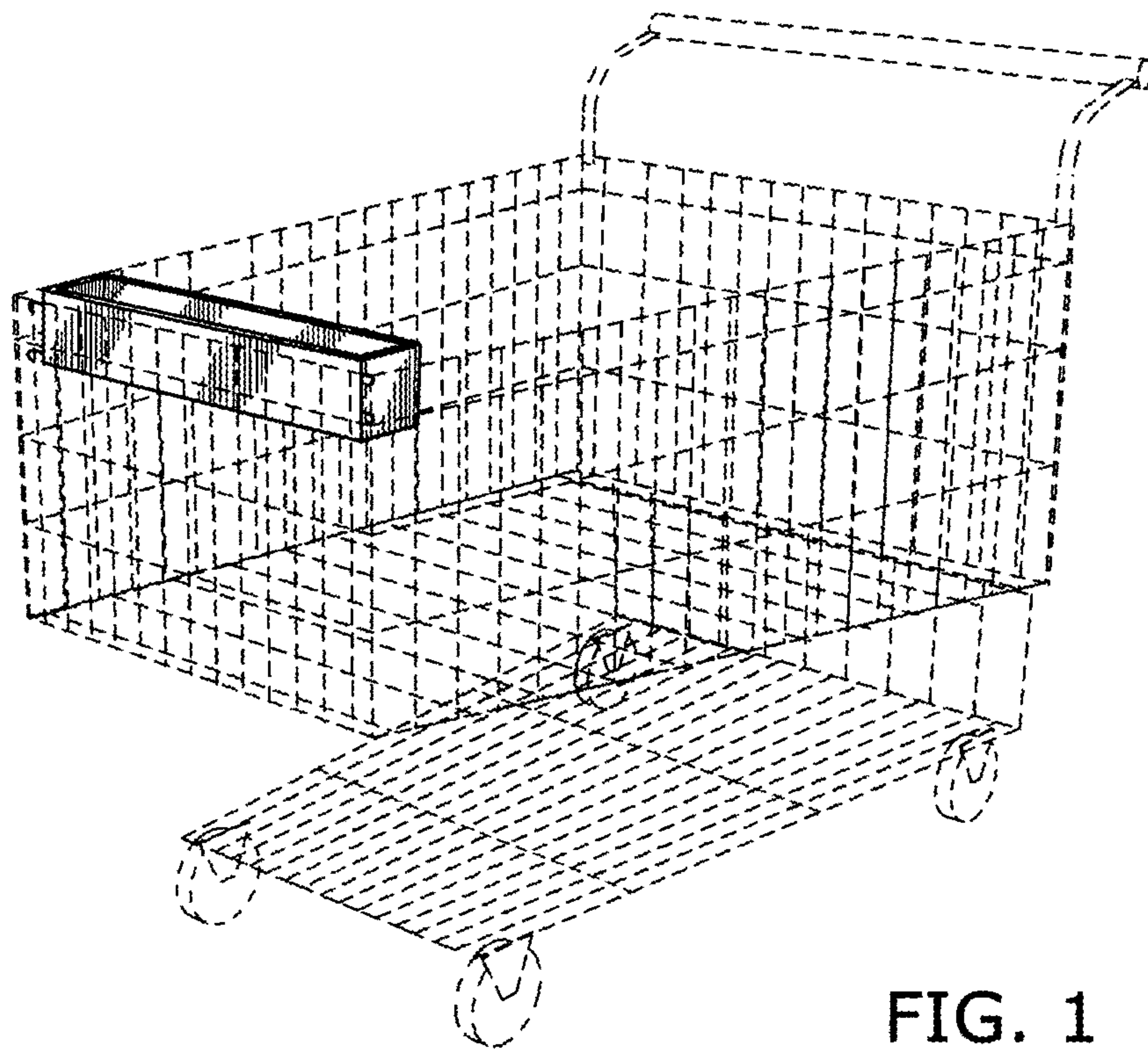


FIG. 1

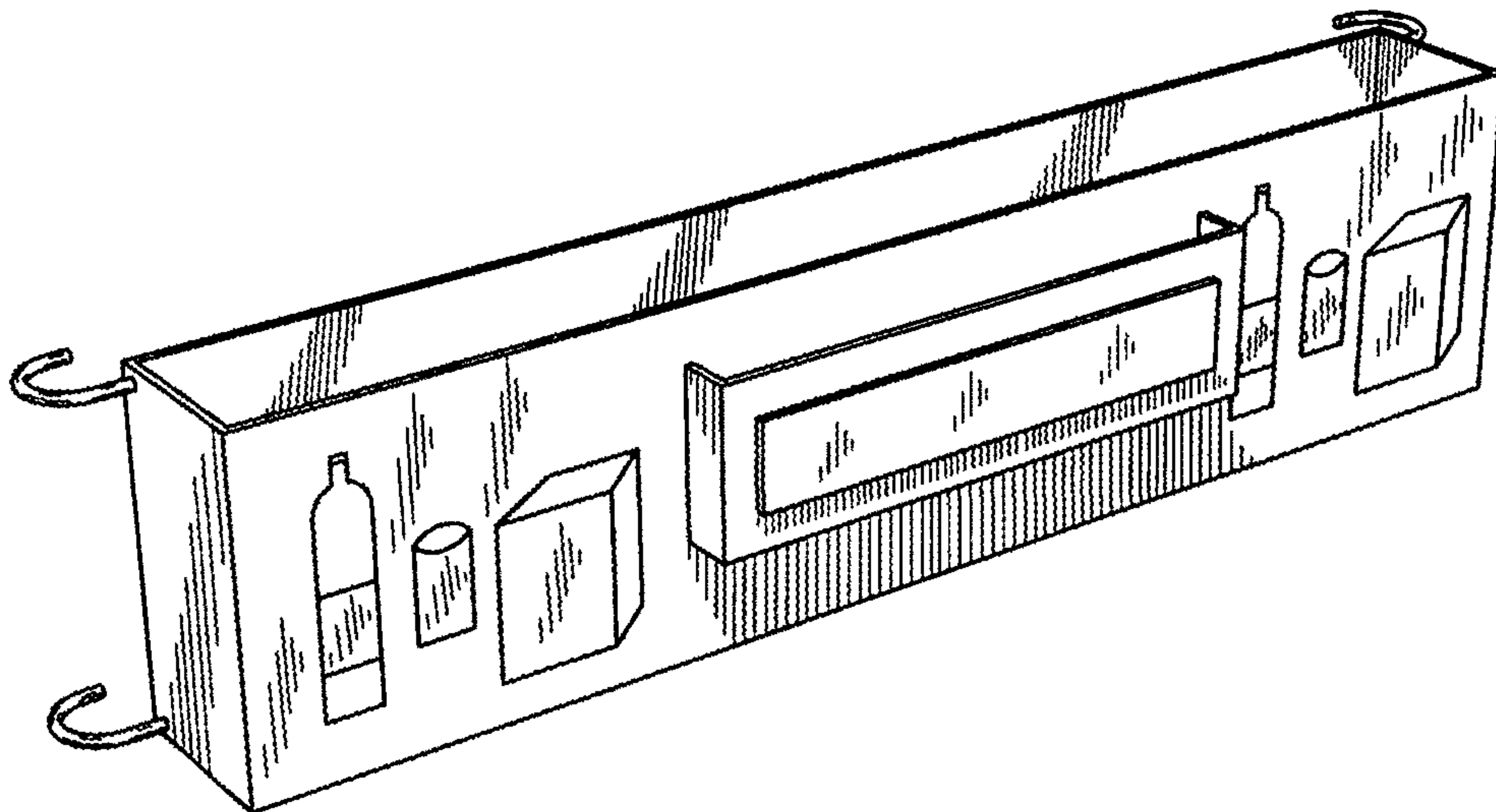


FIG. 2

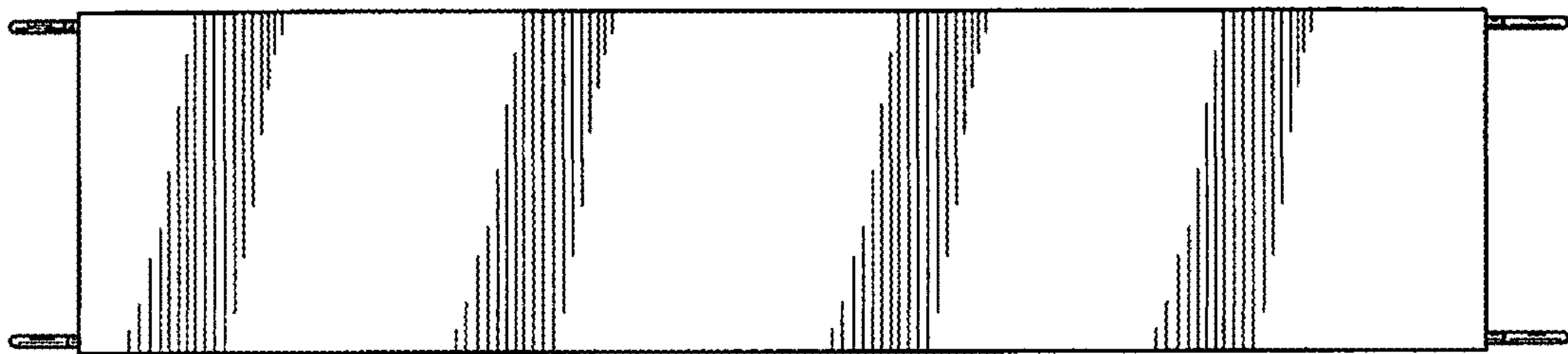


FIG. 3

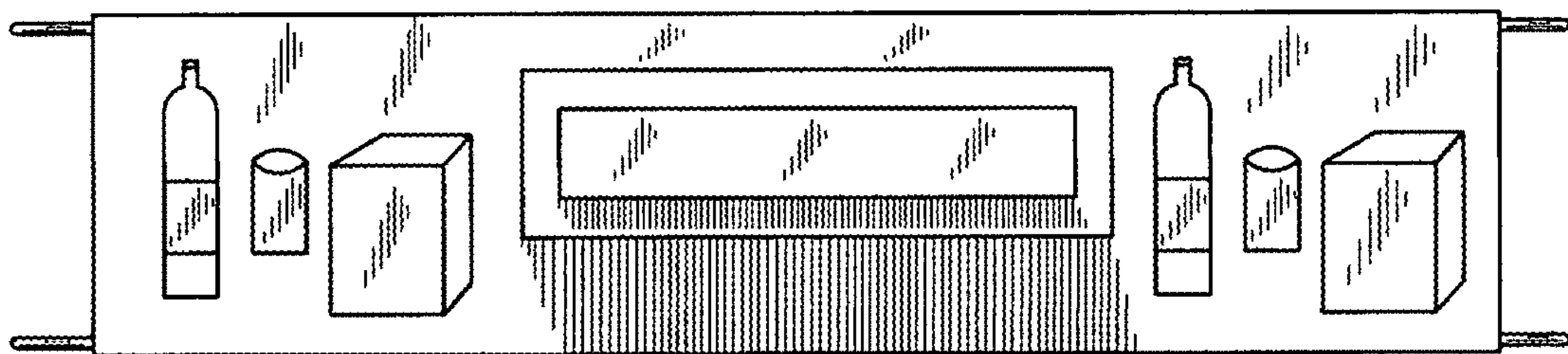


FIG. 4



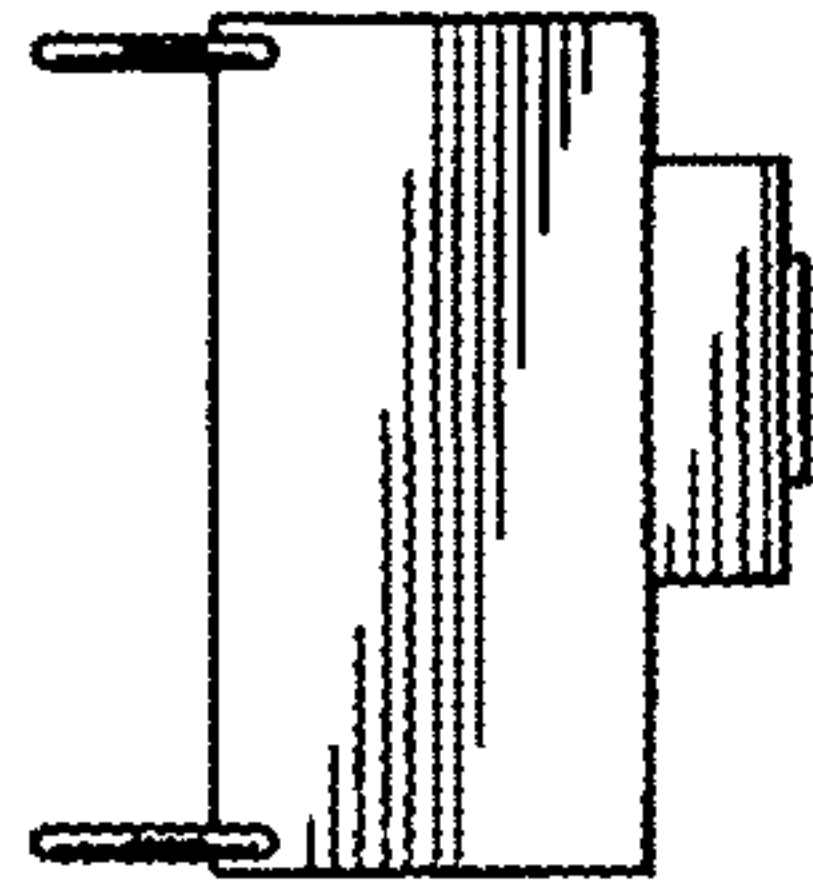


FIG. 5

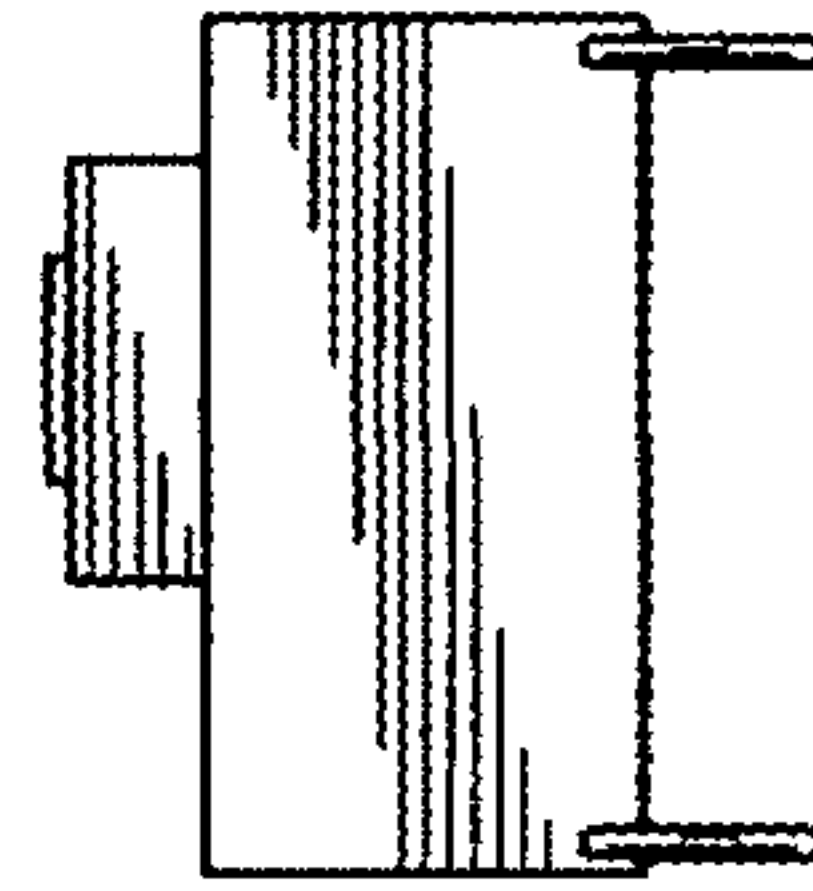


FIG. 6

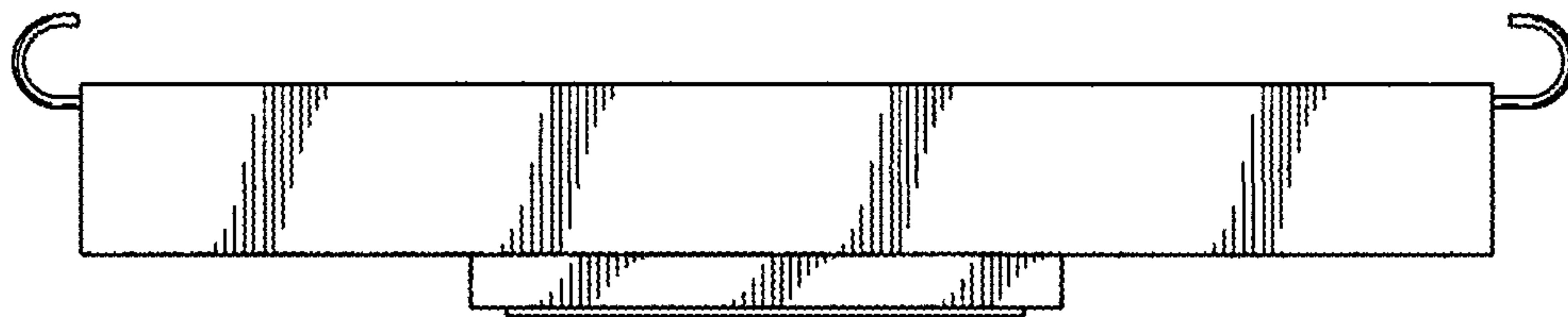


FIG. 7

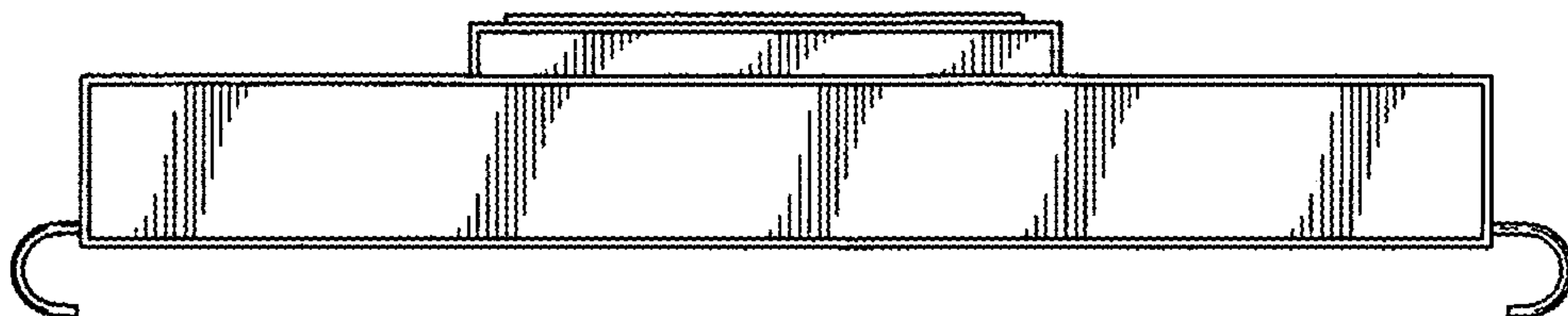


FIG. 8