



US00D750856S

(12) **United States Design Patent**
De Smedt

(10) **Patent No.:** **US D750,856 S**
(45) **Date of Patent:** **** Mar. 1, 2016**

(54) **FLOOR CLEANING MACHINE**
(71) Applicant: **Vincent De Smedt**, Antwerp (BE)
(72) Inventor: **Vincent De Smedt**, Antwerp (BE)
(73) Assignee: **I-MOP GMBH**, Bensheim (DE)
(**) Term: **14 Years**

3,024,484 A * 3/1962 Wallace 15/50.1
D212,859 S * 12/1968 Descarries D32/20
D219,348 S * 12/1970 Anderson D32/15
D289,933 S * 5/1987 Berfield et al. D32/20
D297,778 S * 9/1988 Lallerstedt D32/15
D341,913 S * 11/1993 Swan D32/15
D425,268 S * 5/2000 Morokutti D32/20
D570,560 S * 6/2008 Dammkoehler et al. D32/20
D619,312 S * 7/2010 Rodenkirch et al. D32/15

* cited by examiner

(21) Appl. No.: **29/493,724**
(22) Filed: **Jun. 12, 2014**

Primary Examiner — T. Chase Nelson
Assistant Examiner — Michelle E Wilson
(74) *Attorney, Agent, or Firm* — Flynn, Thiel, Boutell & Tanis, P.C.

(30) **Foreign Application Priority Data**

Dec. 13, 2013 (EM) 002369264-0001

(51) **LOC (10) Cl.** **15-05**
(52) **U.S. Cl.**
USPC **D32/20**

(57) **CLAIM**
The ornamental design for a floor cleaning machine, as shown and described.

(58) **Field of Classification Search**
USPC D32/1, 15-25, 31, 33-34; D8/62, 67; D4/102
CPC A47L 13/22; A47L 13/20; A47L 9/2847; A47L 13/225; A47L 9/2842; A47L 11/302
See application file for complete search history.

DESCRIPTION

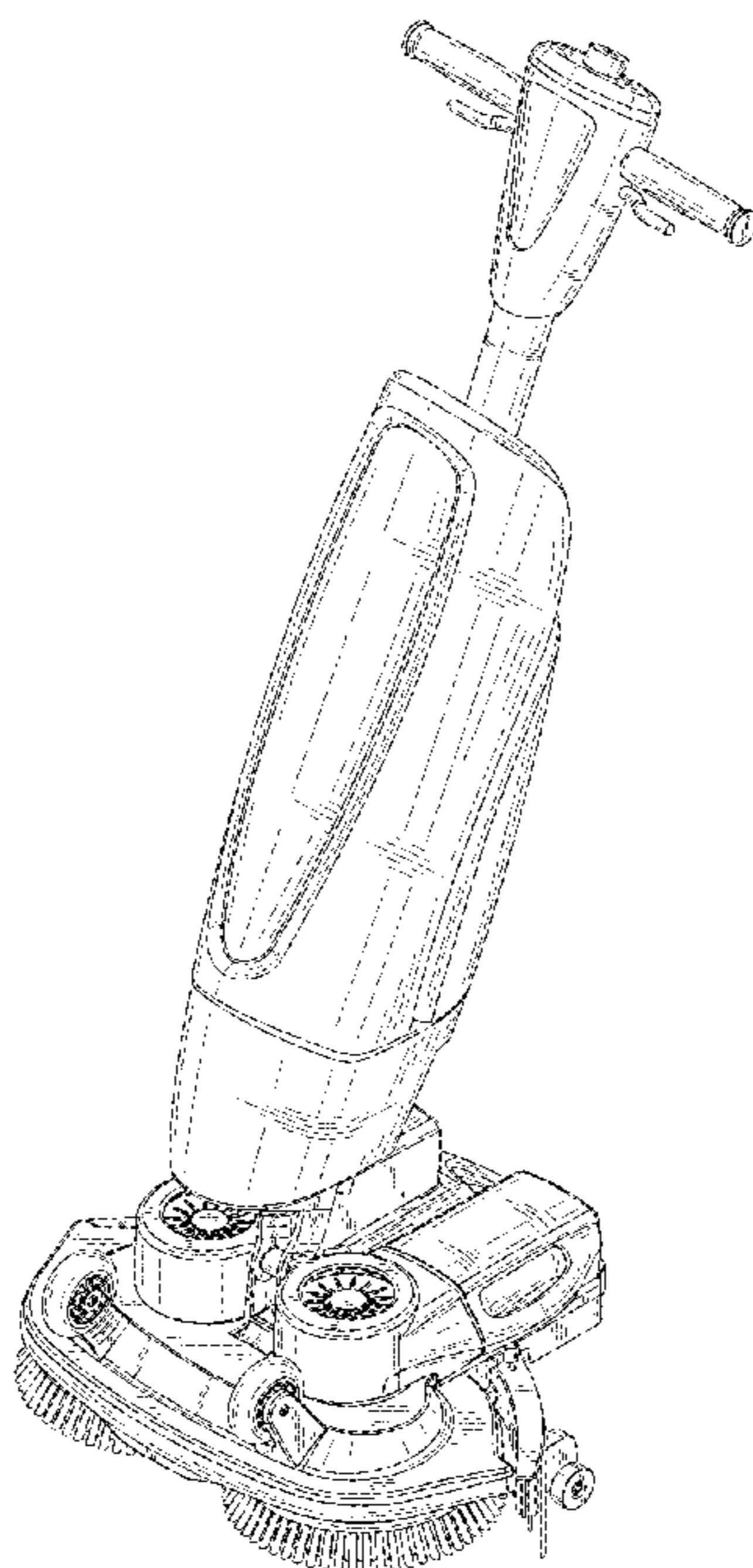
FIG. 1 is a front perspective view of a floor cleaning machine showing my new design;
FIG. 2 is a front view thereof;
FIG. 3 is a right side view thereof;
FIG. 4 is a rear view thereof;
FIG. 5 is a left side view thereof;
FIG. 6 is rear perspective view thereof;
FIG. 7 is top view thereof; and,
FIG. 8 is a bottom view thereof.
The broken lines illustrating portions of the floor cleaning machine are for environmental purposes only and form no part of the claimed design.

(56) **References Cited**

U.S. PATENT DOCUMENTS

1,961,384 A * 6/1934 Oelmann 15/49.1
D142,416 S * 9/1945 Holt D32/20
D162,595 S * 3/1951 Theis D32/20
D170,176 S * 8/1953 Verhagen D32/20
D180,430 S * 6/1957 Verhagen D32/20
D191,097 S * 8/1961 Reed D32/20
3,013,288 A * 12/1961 Lappin 15/50.1

1 Claim, 7 Drawing Sheets



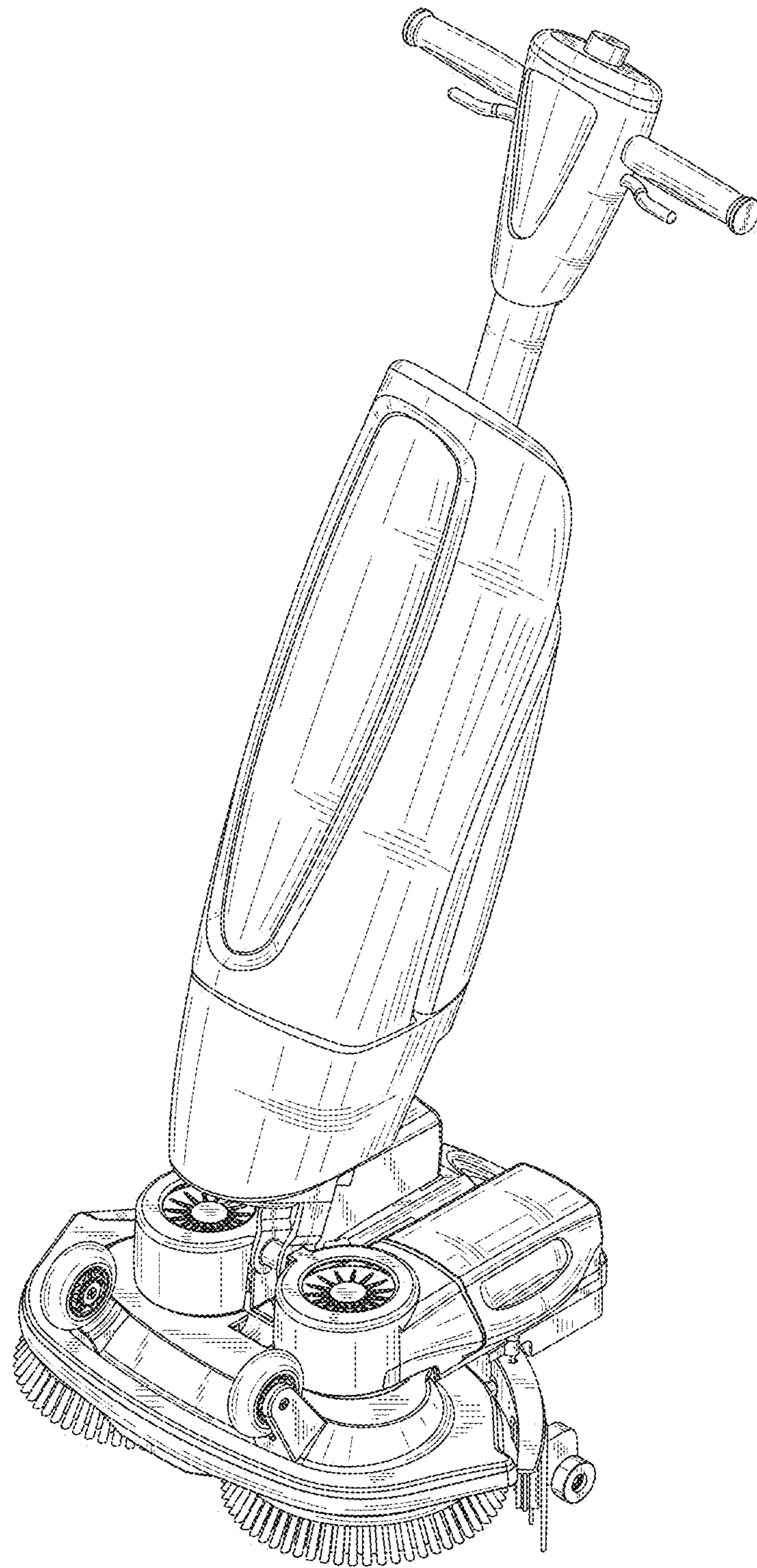


FIG. 1

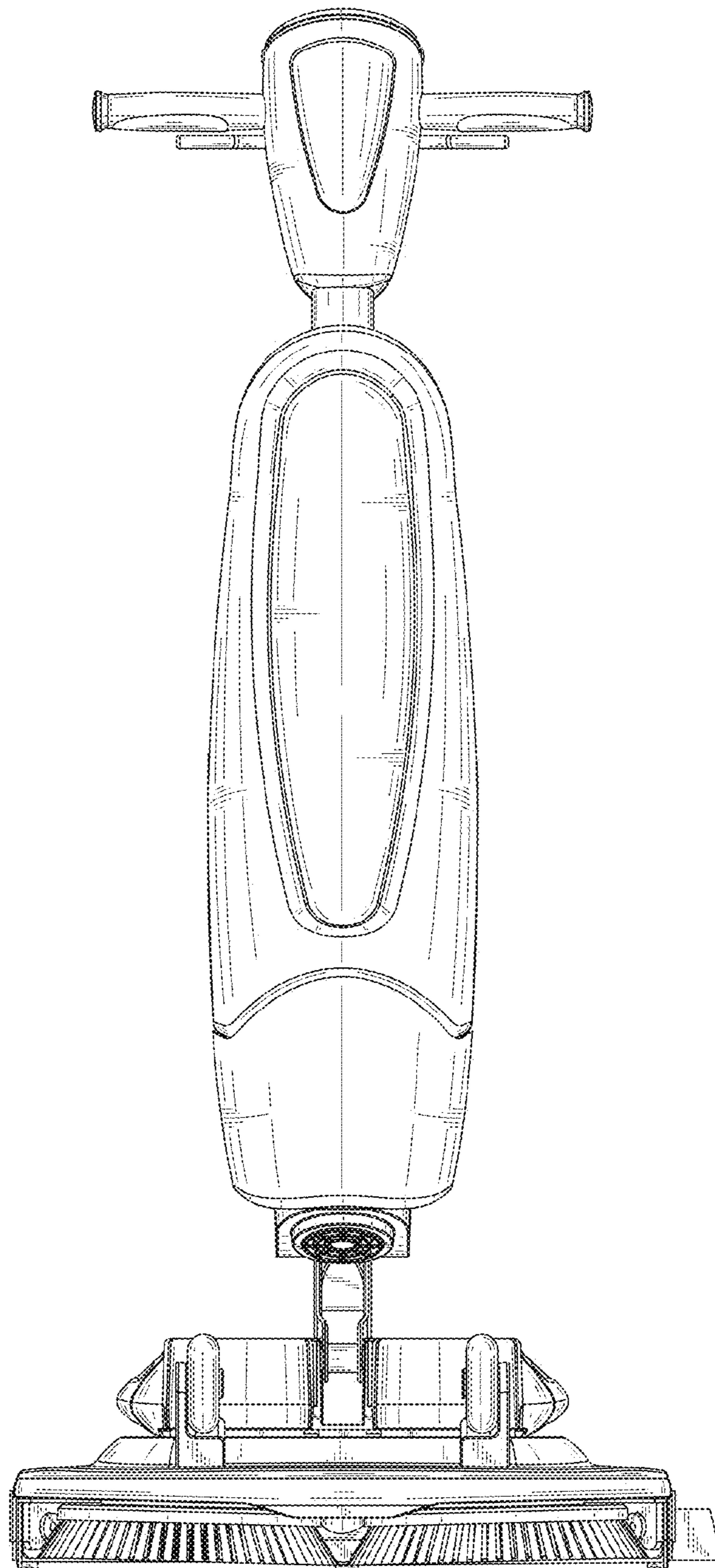


FIG. 2

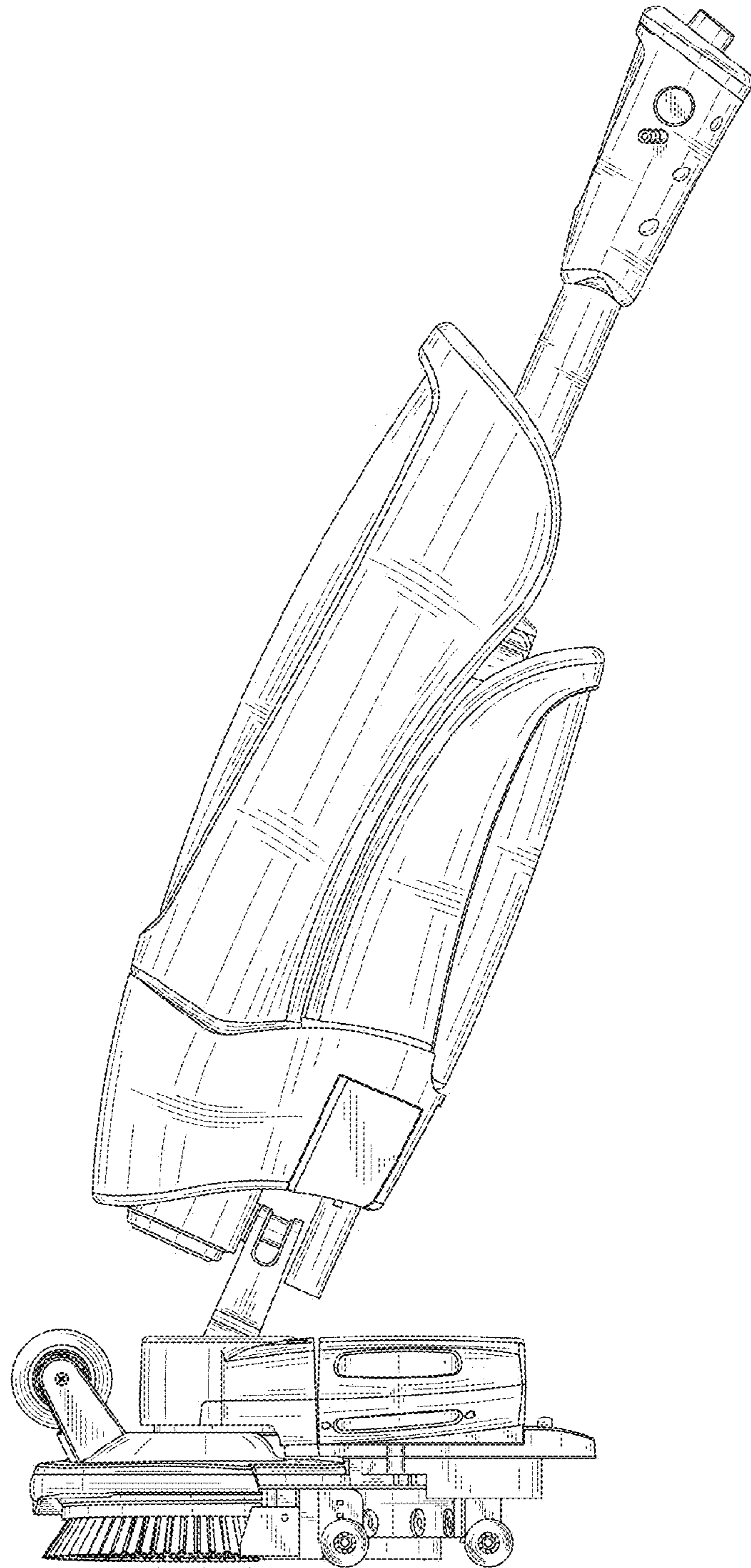


FIG. 3

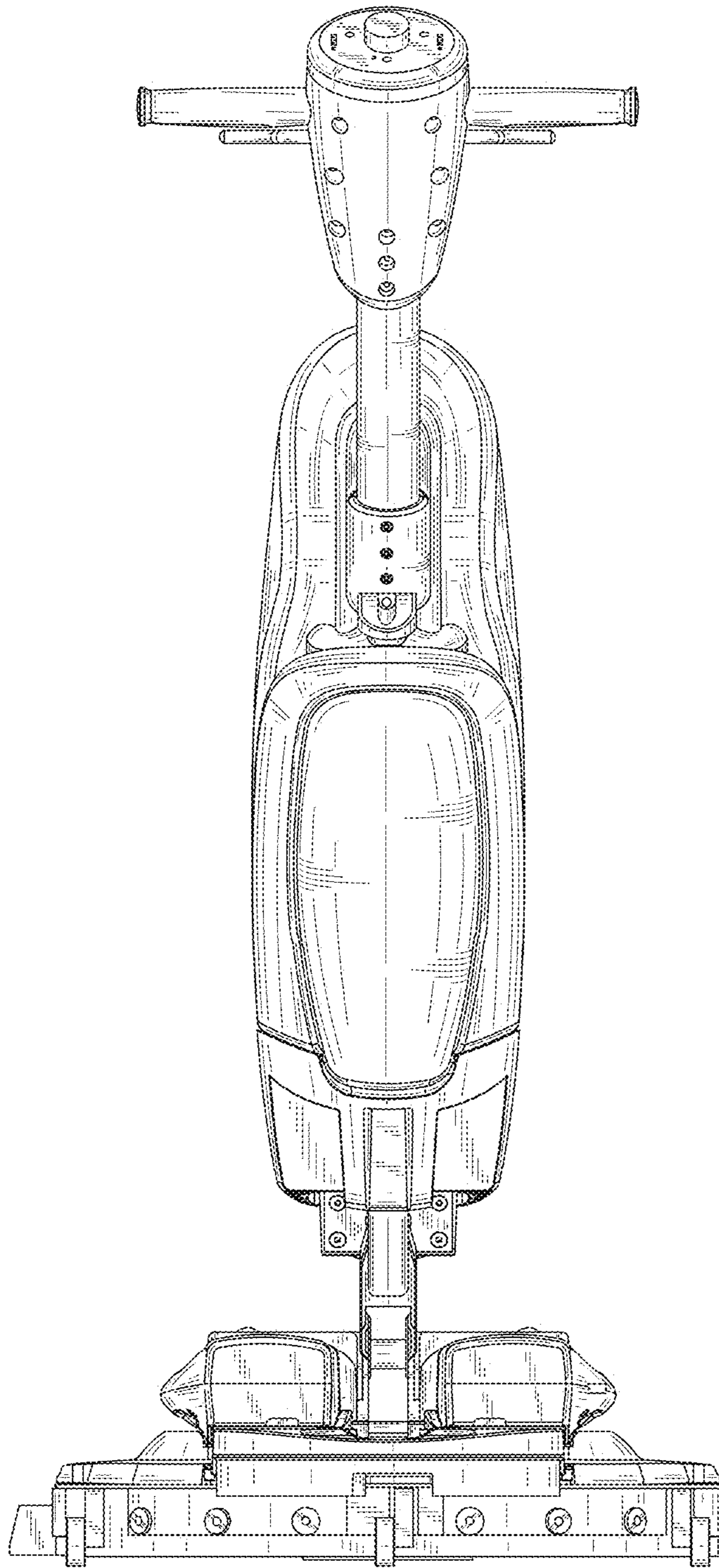


FIG. 4

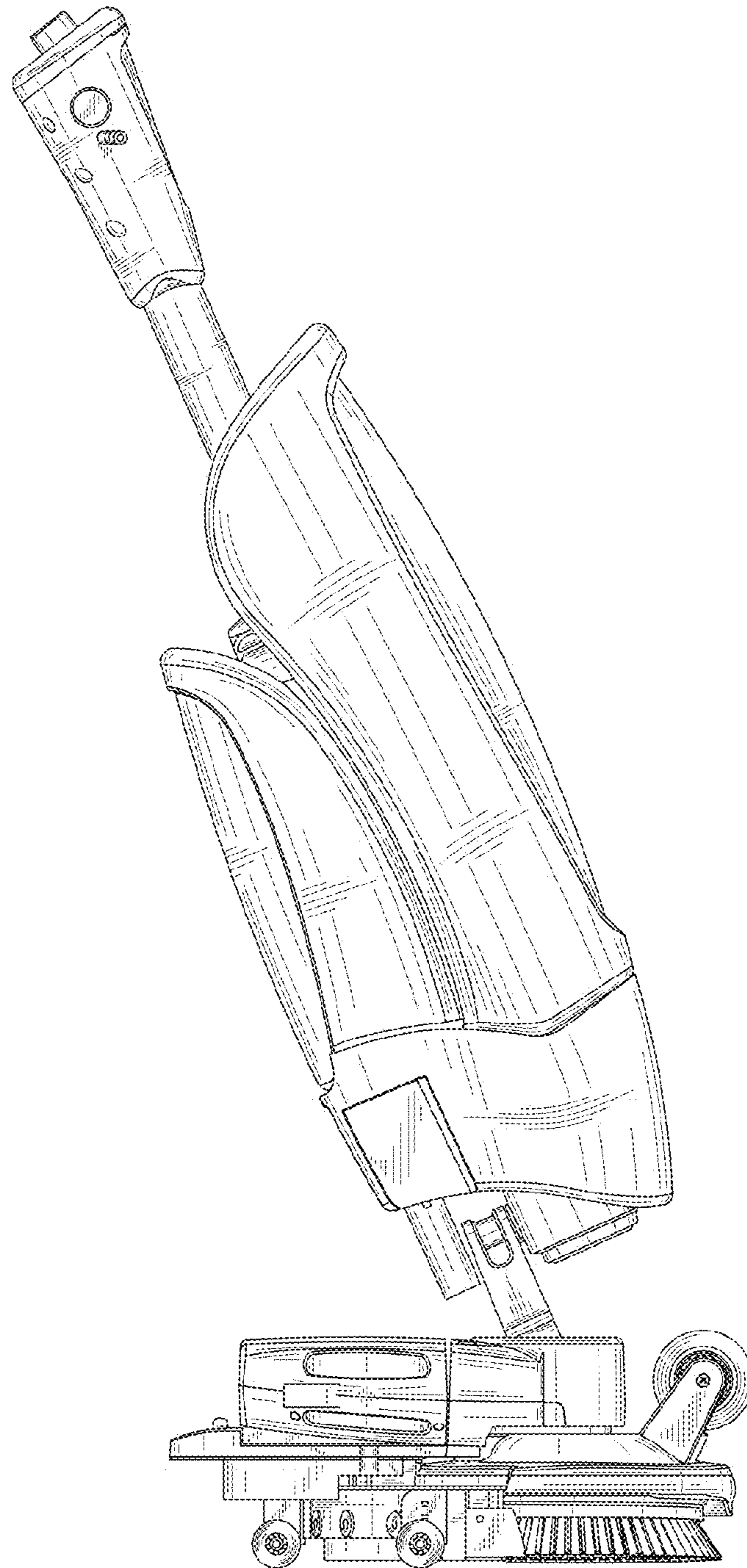


FIG. 5

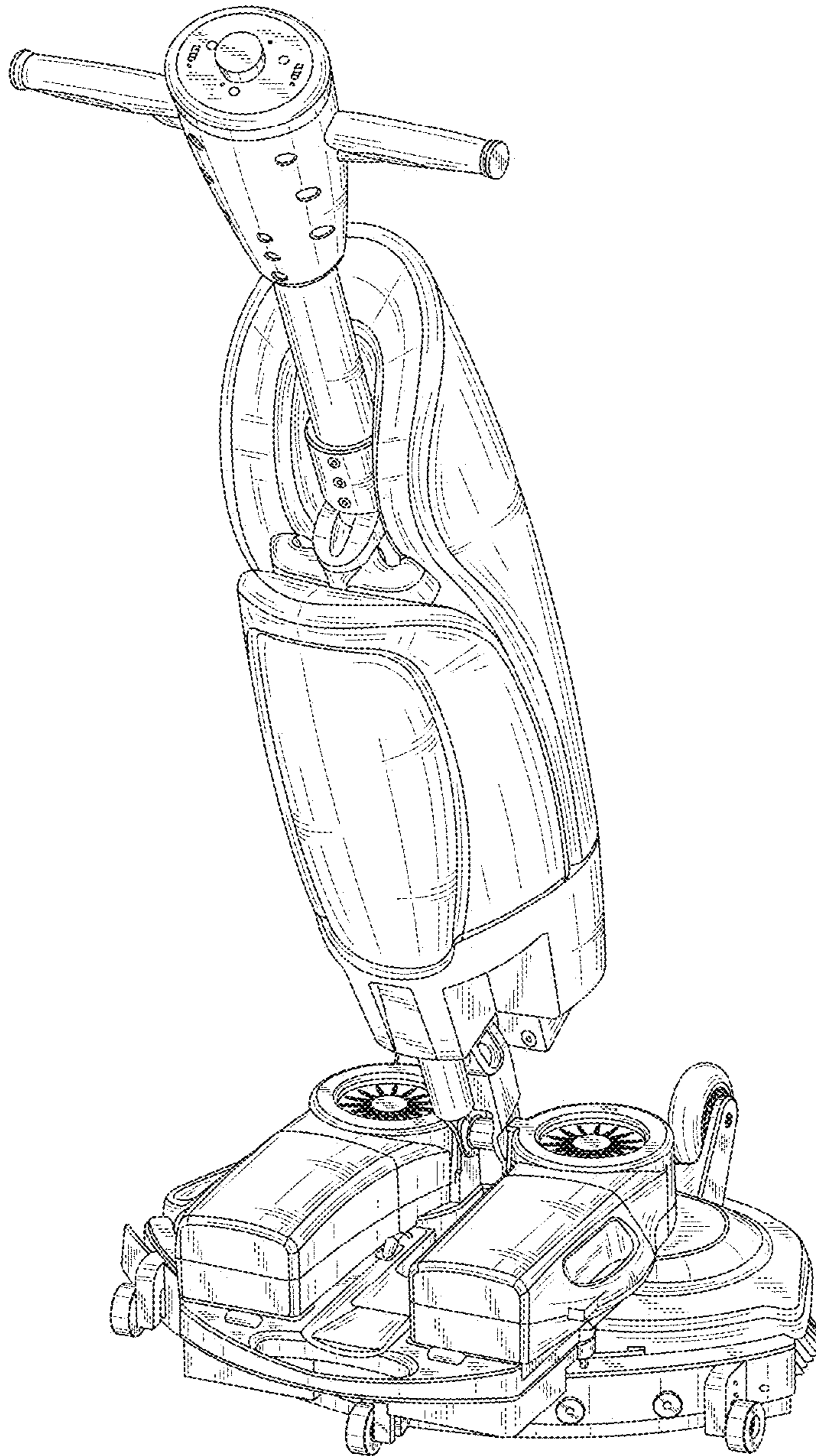


FIG. 6

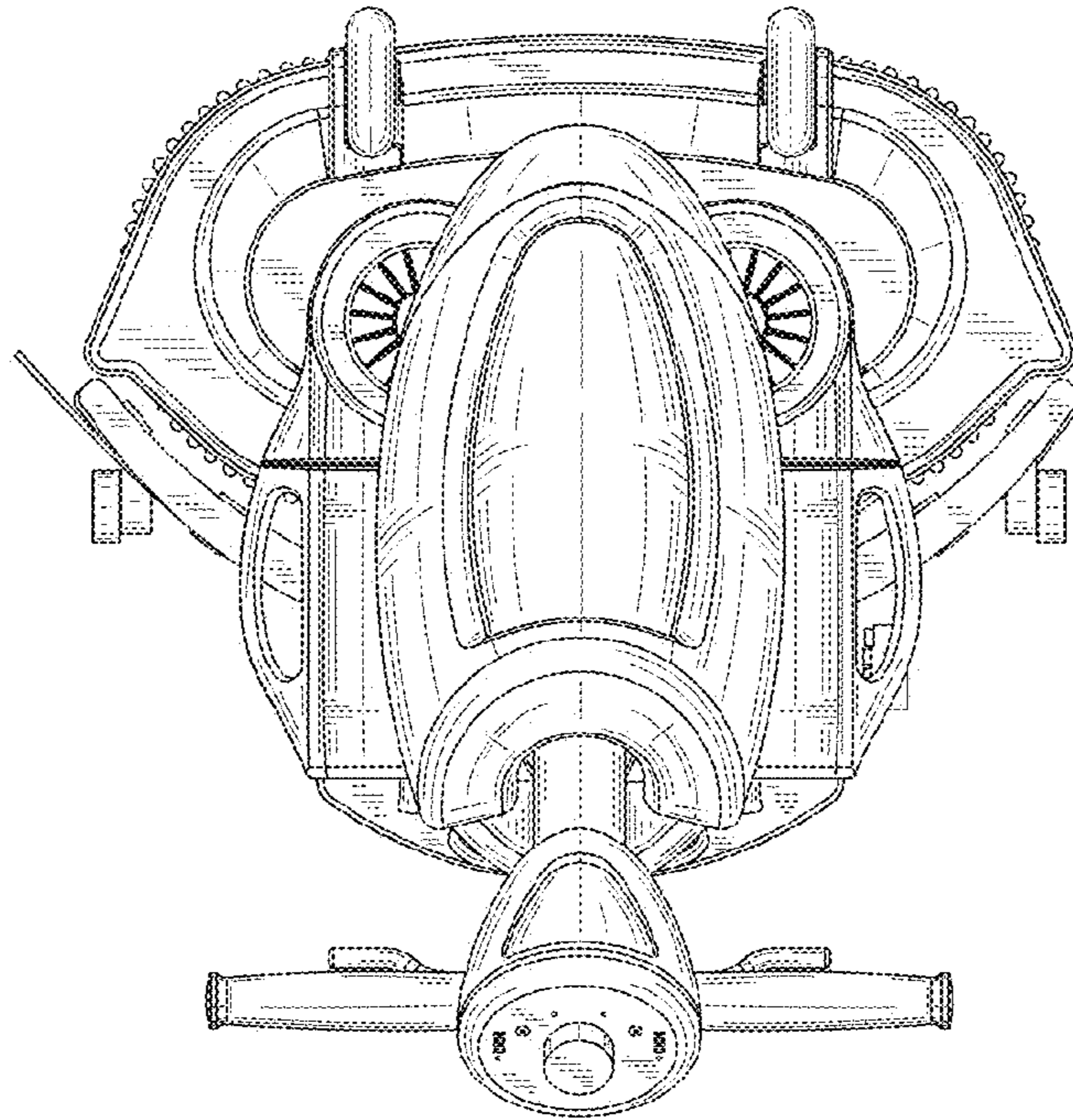


FIG. 7

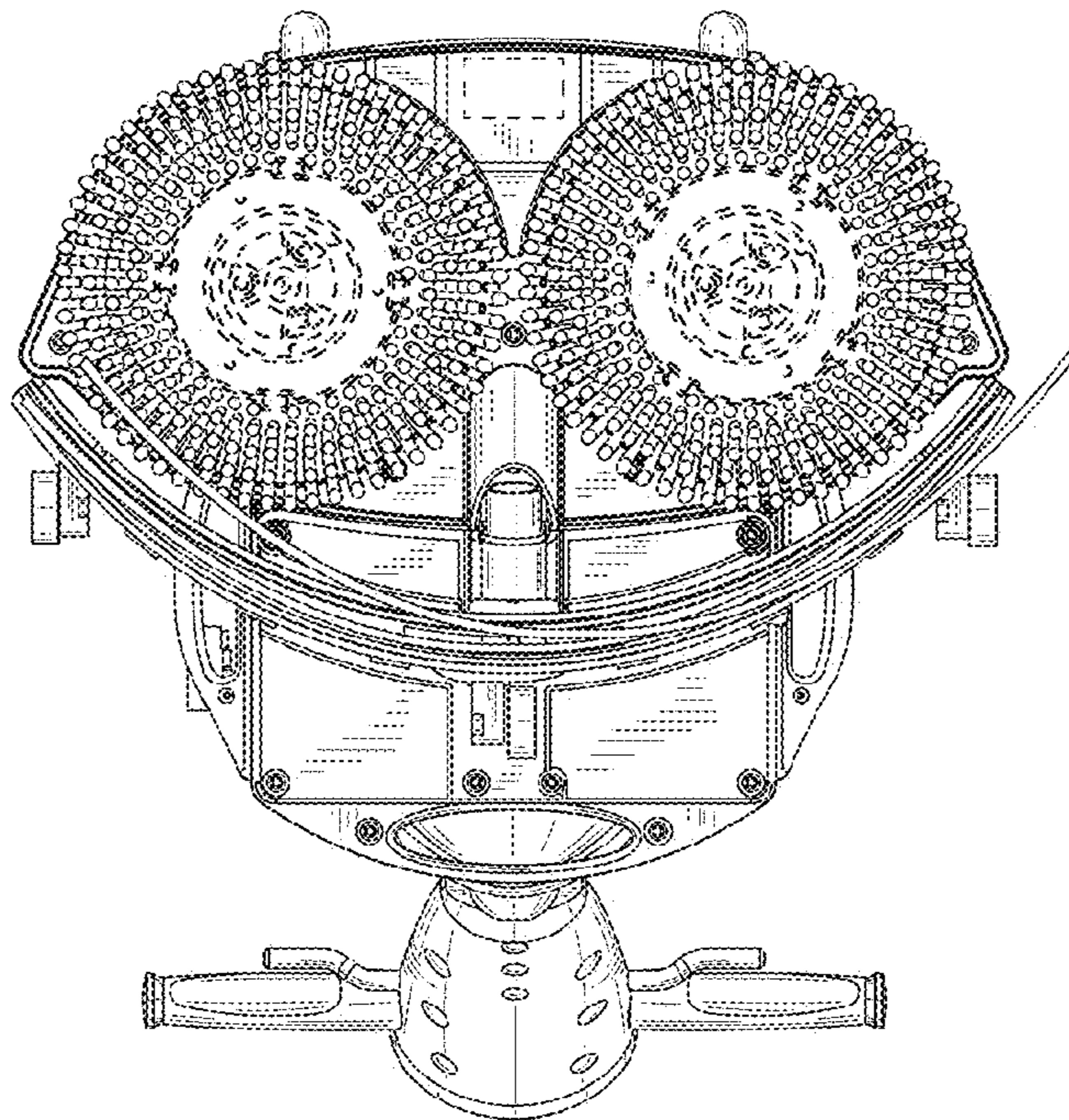


FIG. 8