



US00D750855S

(12) **United States Design Patent**  
**Lee et al.**

(10) **Patent No.:** **US D750,855 S**  
(45) **Date of Patent:** **\*\* Mar. 1, 2016**

(54) **NOZZLE FOR DISHWASHER**  
(71) Applicant: **Samsung Electronics Co., Ltd.**,  
Suwon-si, Gyeonggi-do (KR)  
(72) Inventors: **Jae-Moon Lee**, Seoul (KR); **Jae-Jun Kim**, Seoul (KR); **Ji-Young Shin**, Seoul (KR)  
(73) Assignee: **SAMSUNG ELECTRONICS CO., LTD.** (KR)

D314,255	S	*	1/1991	Brito	.....	D32/3
5,427,129	A	*	6/1995	Young et al.	.....	134/176
5,546,968	A	*	8/1996	Jeon et al.	.....	134/179
D376,451	S	*	12/1996	Osborn	.....	D32/3
5,579,789	A	*	12/1996	Spiegel	.....	134/104.1
5,673,714	A	*	10/1997	Campagnolo et al.	.....	134/57 D
5,944,037	A	*	8/1999	Sinyong et al.	.....	134/176
D461,284	S	*	8/2002	Hegeman et al.	.....	D32/3
7,980,260	B2	*	7/2011	Bertsch et al.	.....	134/181
8,287,660	B2	*	10/2012	Chen et al.	.....	134/56 D
D675,386	S	*	1/2013	Burrows et al.	.....	D32/3
D675,387	S	*	1/2013	Burrows et al.	.....	D32/3
D718,007	S	*	11/2014	Baldwin et al.	.....	D32/3
D720,509	S	*	12/2014	Baldwin et al.	.....	D32/3

(\*\*) Term: **14 Years**

\* cited by examiner

(21) Appl. No.: **29/494,916**

*Primary Examiner* — T. Chase Nelson

(22) Filed: **Jun. 25, 2014**

*Assistant Examiner* — Michelle E Wilson

(30) **Foreign Application Priority Data**

(74) *Attorney, Agent, or Firm* — Cantor Colburn LLP

Dec. 26, 2013 (KR) ..... 30-2013-0065409

(51) **LOC (10) Cl.** ..... **15-05**

(52) **U.S. Cl.**  
USPC ..... **D32/3**

(58) **Field of Classification Search**  
USPC ..... D32/1, 2, 3, 25, 28  
CPC ..... A47L 15/4221; A47L 15/4223  
See application file for complete search history.

(56) **References Cited**

**U.S. PATENT DOCUMENTS**

1,408,077	A	*	2/1922	Clinton	.....	239/227
1,733,249	A	*	10/1929	Clinton	.....	239/255
3,160,164	A	*	12/1964	Constance et al.	.....	134/176
4,884,585	A	*	12/1989	Oh	.....	134/176

(57) **CLAIM**

The ornamental design for a nozzle for dishwasher, as shown and described.

**DESCRIPTION**

FIG. 1 is a perspective view of a nozzle for dishwasher, showing our new design;  
FIG. 2 is a front elevation view thereof;  
FIG. 3 is a rear elevation view thereof;  
FIG. 4 is a side elevation view thereof;  
FIG. 5 is a another side elevation view thereof;  
FIG. 6 is a top plan view thereof; and,  
FIG. 7 is a bottom plan view thereof.

The broken lines are for environmental purpose only and form no part of the claimed design.

**1 Claim, 5 Drawing Sheets**

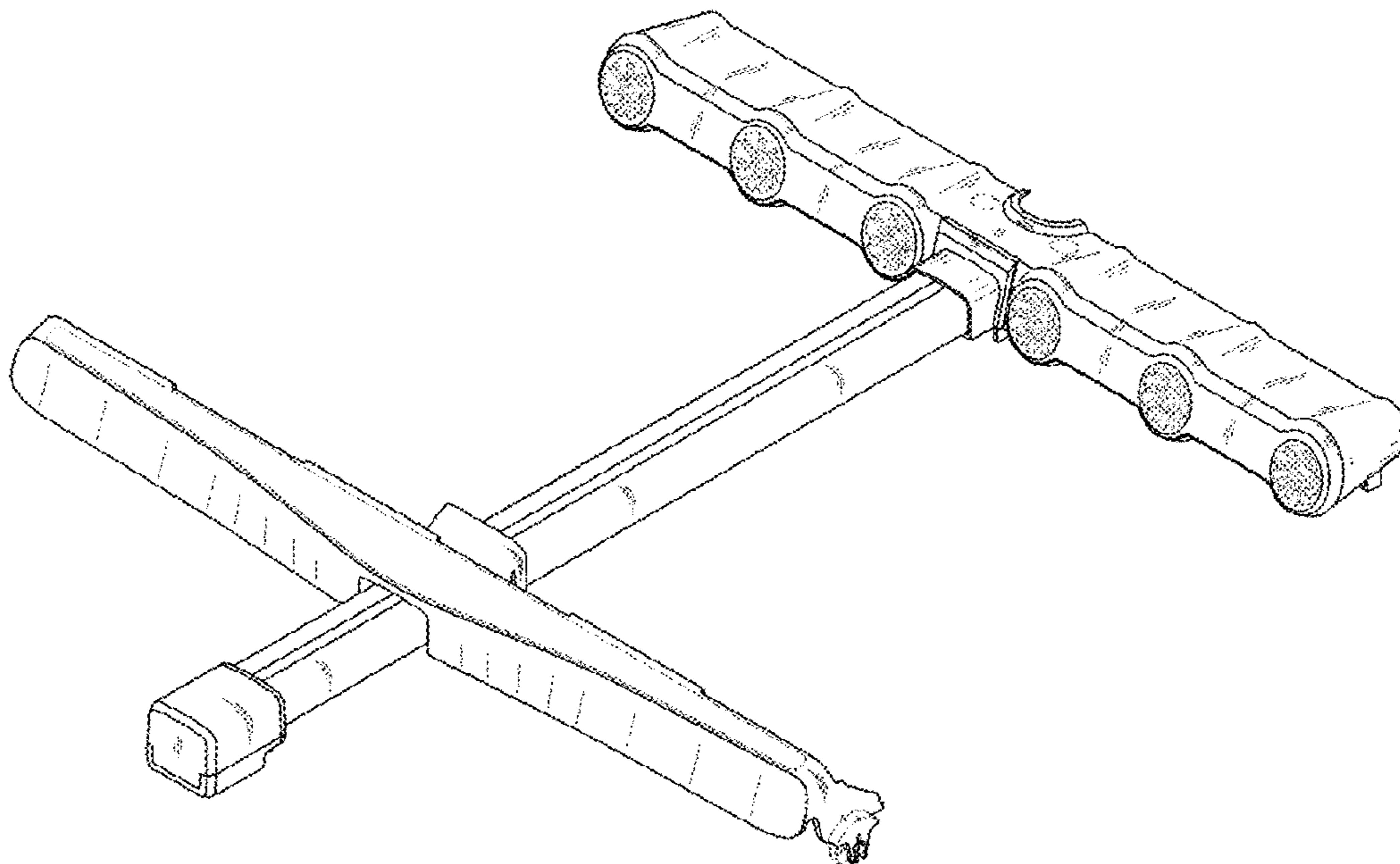


FIG. 1

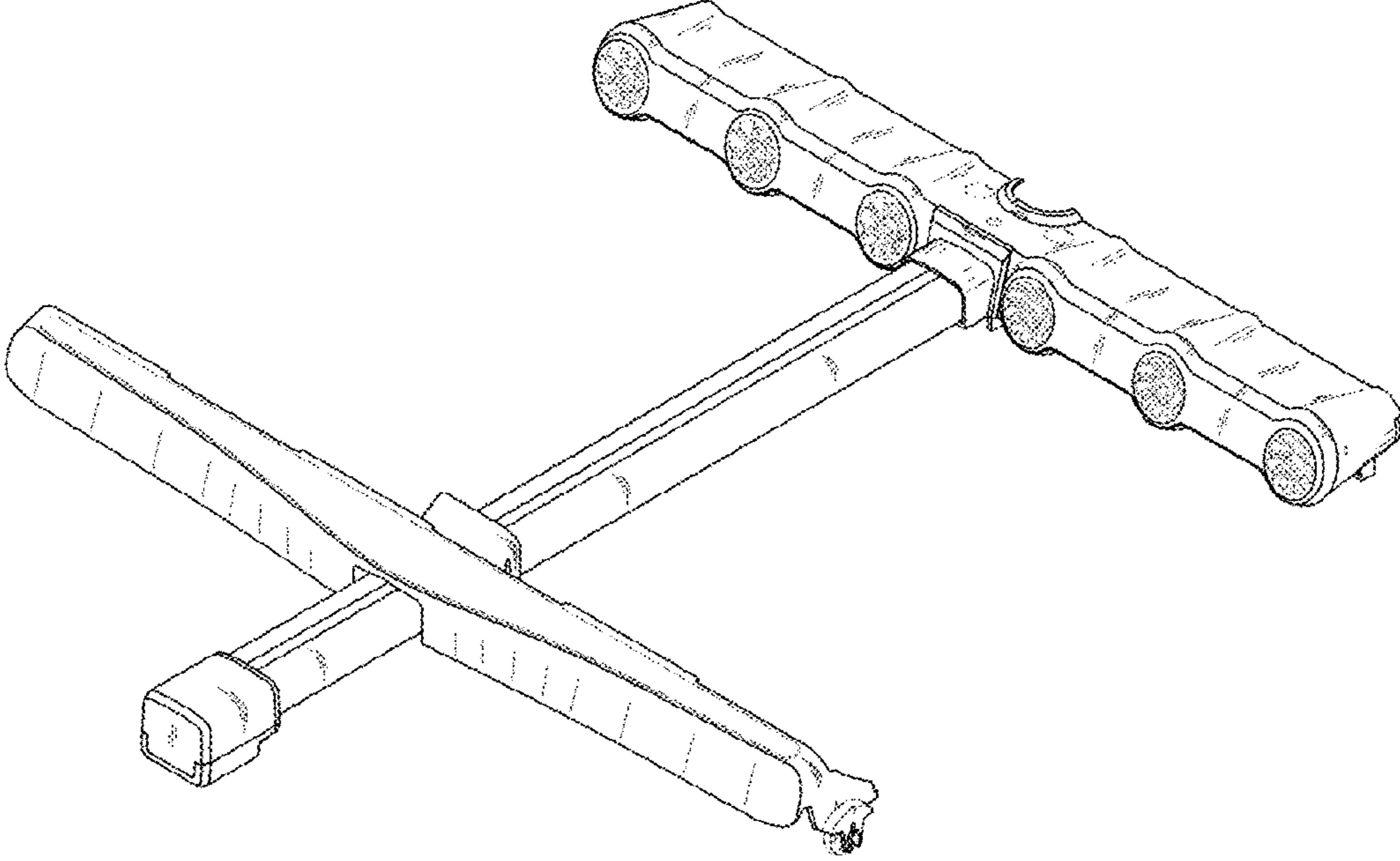


FIG. 2

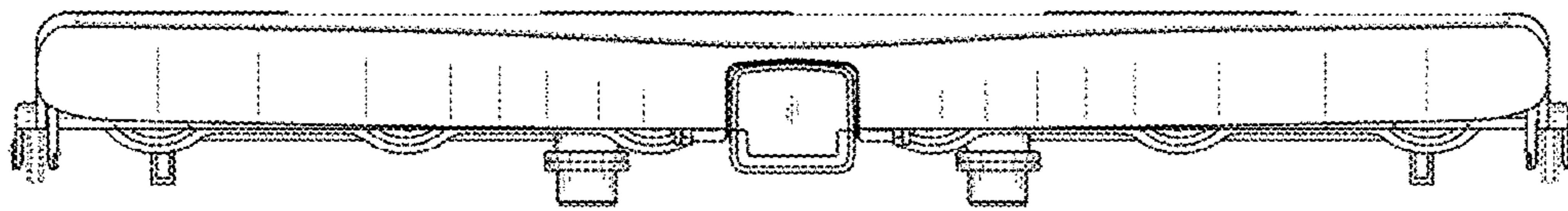


FIG. 3

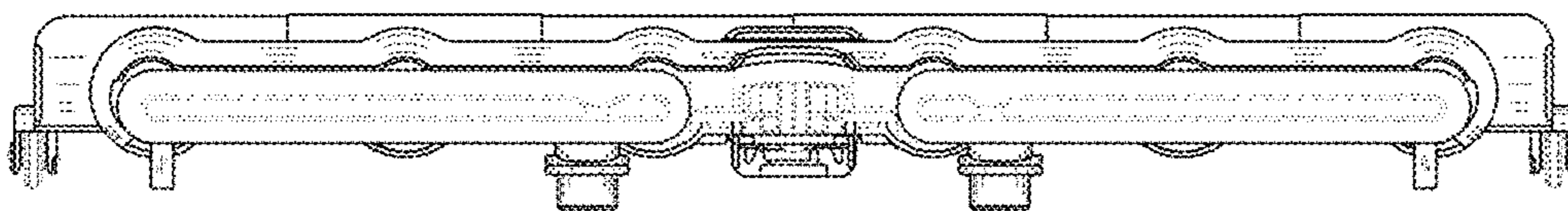


FIG. 4

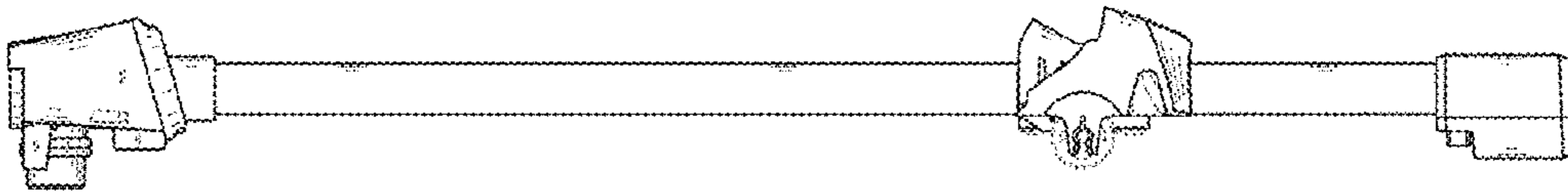


FIG. 5

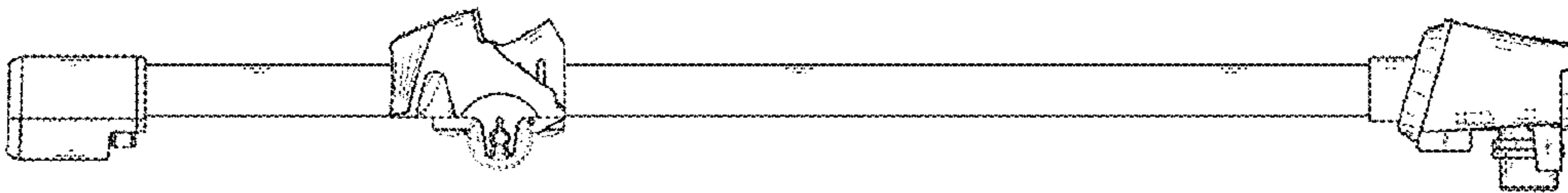


FIG. 6

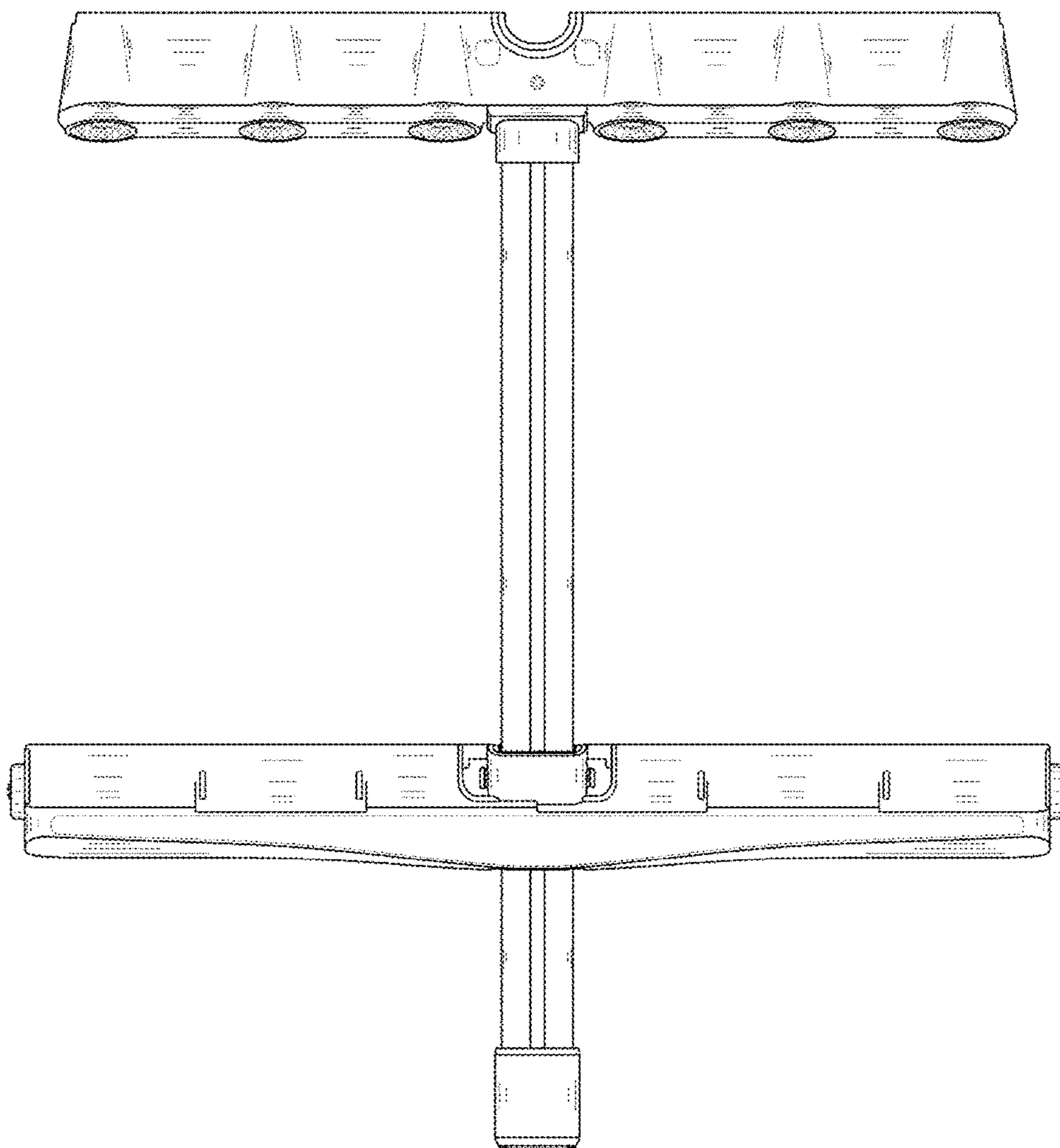


FIG. 7

