



US00D750854S

(12) **United States Design Patent**  
**Lee et al.**

(10) **Patent No.:** **US D750,854 S**  
(45) **Date of Patent:** **\*\* Mar. 1, 2016**

(54) **NOZZLE FOR DISHWASHER**  
(71) Applicant: **Samsung Electronics Co., Ltd.**,  
Suwon-si, Gyeonggi-do (KR)  
(72) Inventors: **Jae-Moon Lee**, Seoul (KR); **Jae-Jun Kim**, Seoul (KR); **Ji-Young Shin**, Seoul (KR)  
(73) Assignee: **SAMSUNG ELECTRONICS CO., LTD.** (KR)

D314,255 S \* 1/1991 Brito ..... D32/3  
5,427,129 A \* 6/1995 Young et al. .... 134/176  
5,546,968 A \* 8/1996 Jeon et al. .... 134/179  
D376,451 S \* 12/1996 Osborn ..... D32/3  
5,579,789 A \* 12/1996 Spiegel ..... 134/104.1  
5,673,714 A \* 10/1997 Campagnolo et al. .... 134/57 D  
5,944,037 A \* 8/1999 Sinyong et al. .... 134/176  
D461,284 S \* 8/2002 Hegeman et al. .... D32/3  
7,980,260 B2 \* 7/2011 Bertsch et al. .... 134/181  
8,287,660 B2 \* 10/2012 Chen et al. .... 134/56 D  
D675,386 S \* 1/2013 Burrows et al. .... D32/3  
D675,387 S \* 1/2013 Burrows et al. .... D32/3  
D718,007 S \* 11/2014 Baldwin et al. .... D32/3  
D720,509 S \* 12/2014 Baldwin et al. .... D32/3

(\*\*) Term: **14 Years**

\* cited by examiner

(21) Appl. No.: **29/494,751**

*Primary Examiner* — T. Chase Nelson

(22) Filed: **Jun. 24, 2014**

*Assistant Examiner* — Michelle E Wilson

(30) **Foreign Application Priority Data**

(74) *Attorney, Agent, or Firm* — Cantor Colburn LLP

Dec. 26, 2013 (KR) ..... 30-2013-0065408

(51) **LOC (10) Cl.** ..... **15-05**

(52) **U.S. Cl.**  
USPC ..... **D32/3**

(58) **Field of Classification Search**  
USPC ..... D32/1, 2, 3, 25, 28  
CPC ..... A47L 15/4221; A47L 15/4223  
See application file for complete search history.

(56) **References Cited**

U.S. PATENT DOCUMENTS

1,408,077 A \* 2/1922 Clinton ..... 239/227  
1,733,249 A \* 10/1929 Clinton ..... 239/255  
3,160,164 A \* 12/1964 Constance et al. .... 134/176  
4,884,585 A \* 12/1989 Oh ..... 134/176

(57) **CLAIM**

The ornamental design for a nozzle for dishwasher, as shown and described.

**DESCRIPTION**

FIG. 1 is a perspective view of a nozzle for dishwasher, showing our new design;  
FIG. 2 is a front elevation view thereof;  
FIG. 3 is a rear elevation view thereof;  
FIG. 4 is a side elevation view thereof;  
FIG. 5 is a another side elevation view thereof;  
FIG. 6 is a top plan view thereof; and,  
FIG. 7 is a bottom plan view thereof.  
The broken lines are for environmental purpose only and form no part of the claimed design.

**1 Claim, 4 Drawing Sheets**

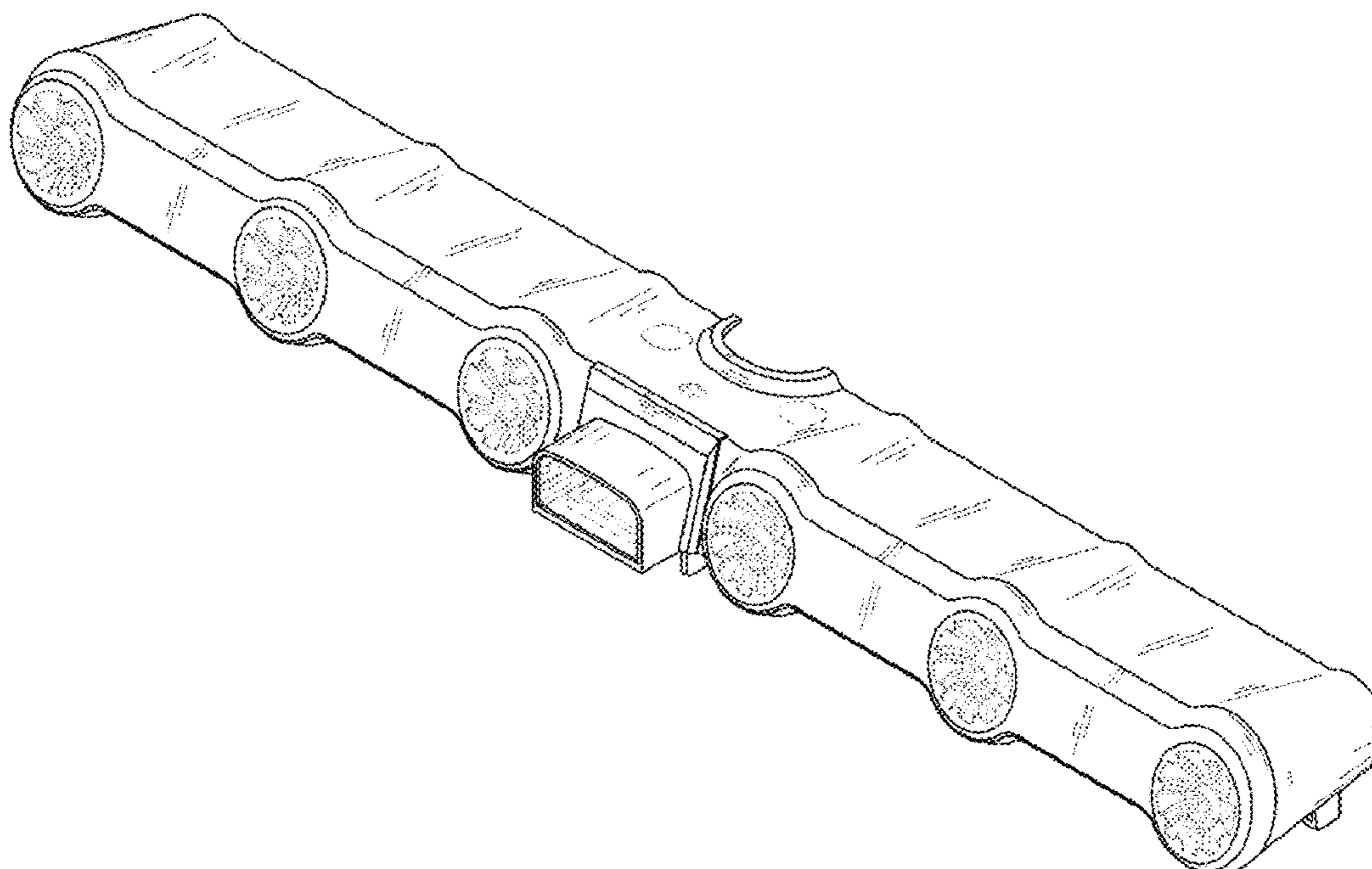


FIG. 1

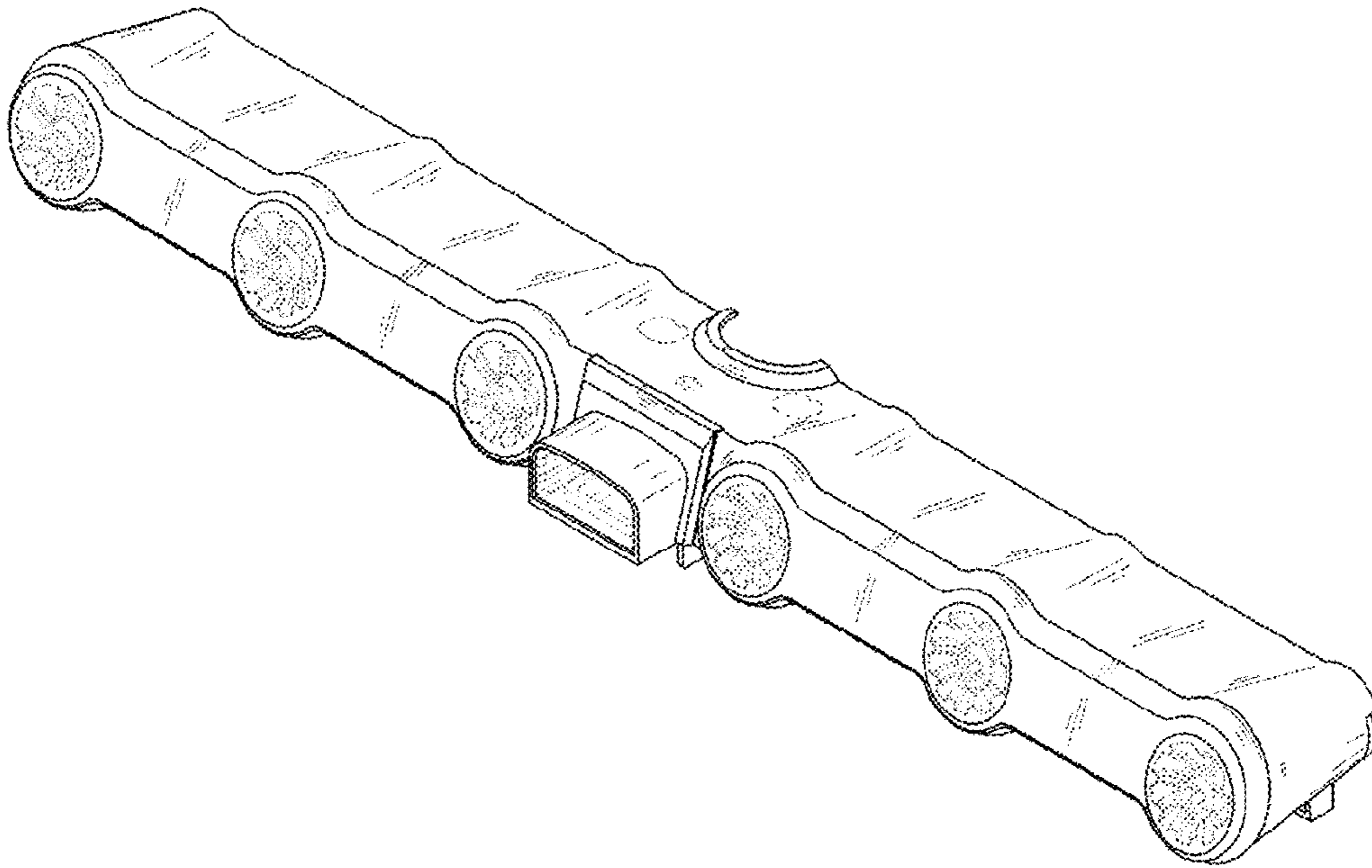


FIG. 2

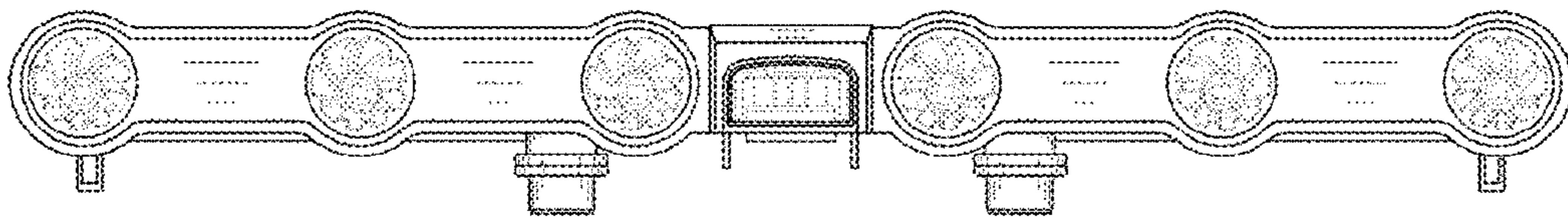


FIG. 3

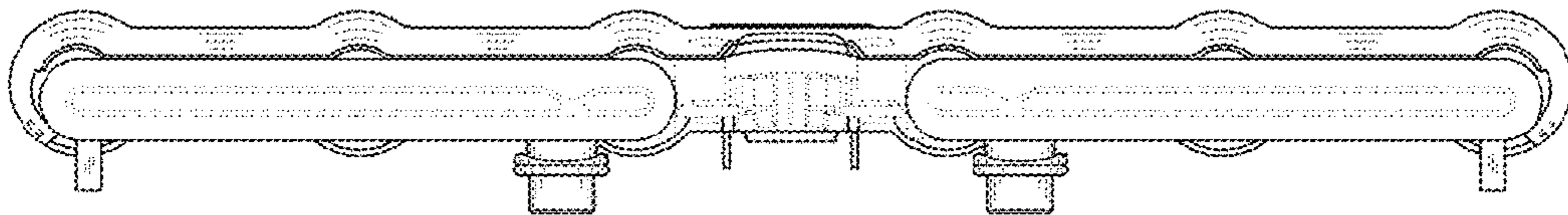


FIG. 4

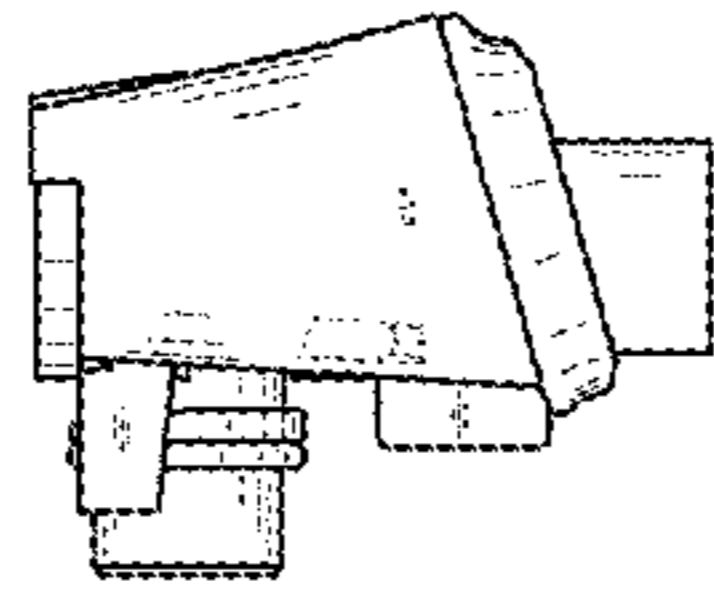


FIG. 5

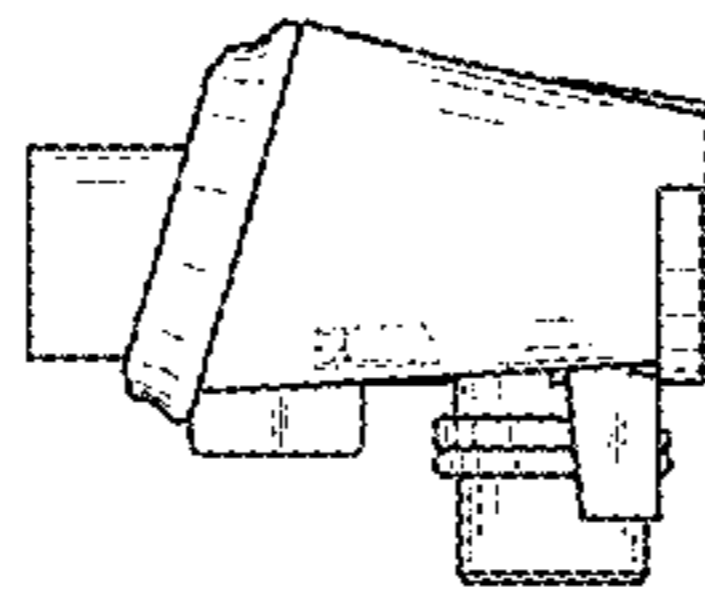


FIG. 6

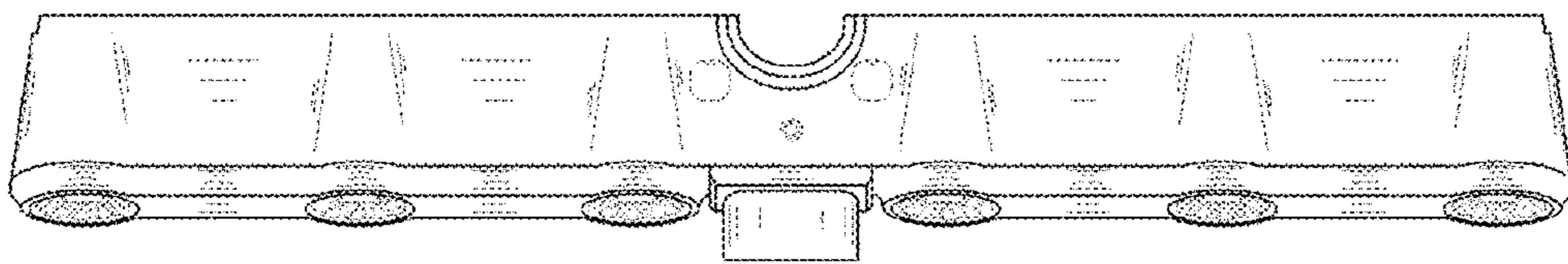


FIG. 7

