

US00D750852S

(12) **United States Design Patent**  
**Tschan**

(10) **Patent No.:** **US D750,852 S**  
(45) **Date of Patent:** **\*\* Mar. 1, 2016**

(54) **PAINT SPRAY GUN CLEANING DEVICE**

FOREIGN PATENT DOCUMENTS

(71) Applicant: **SATA GmbH & Co. KG**, Kornwestheim (DE)

CN 301635278 \* 8/2011  
CN 301687756 \* 9/2011

(Continued)

(72) Inventor: **Alexander Tschan**, Kornwestheim (DE)

OTHER PUBLICATIONS

(73) Assignee: **SATA GMBH & CO. KG**, Kornwestheim (DE)

Downdraft Booths for Aluminum Dust Collection, Announced Mar. 26, 2009, [Site Visited Apr. 29, 2015] <http://downdraft.com/dry-down-draft-booths/>.\*

(\*\*) Term: **14 Years**

(Continued)

(21) Appl. No.: **29/447,882**

(22) Filed: **Mar. 7, 2013**

*Primary Examiner* — John Windmuller

*Assistant Examiner* — Luqman McNeil

(30) **Foreign Application Priority Data**

(74) *Attorney, Agent, or Firm* — Paul D. Bianco; Fleit Gibbons Gutman Bongini & Bianco PL

Sep. 7, 2012 (EM) ..... 002099069-001  
Sep. 7, 2012 (EM) ..... 002099085-0001

(51) **LOC (10) Cl.** ..... **15-05**

(57) **CLAIM**

(52) **U.S. Cl.**  
USPC ..... **D32/1**

The ornamental design for a paint spray gun cleaning device, as shown and described.

(58) **Field of Classification Search**  
USPC ..... D32/1, 4; D24/214; 134/85, 58 R, 60, 134/102.2, 111, 57 R  
See application file for complete search history.

**DESCRIPTION**

(56) **References Cited**

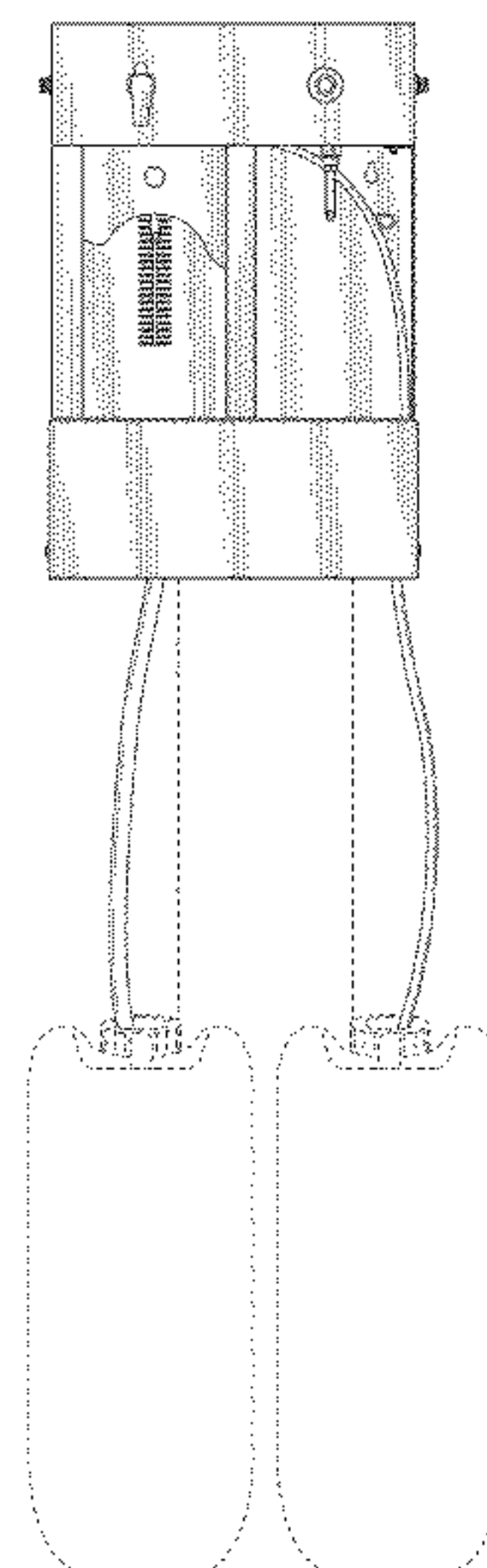
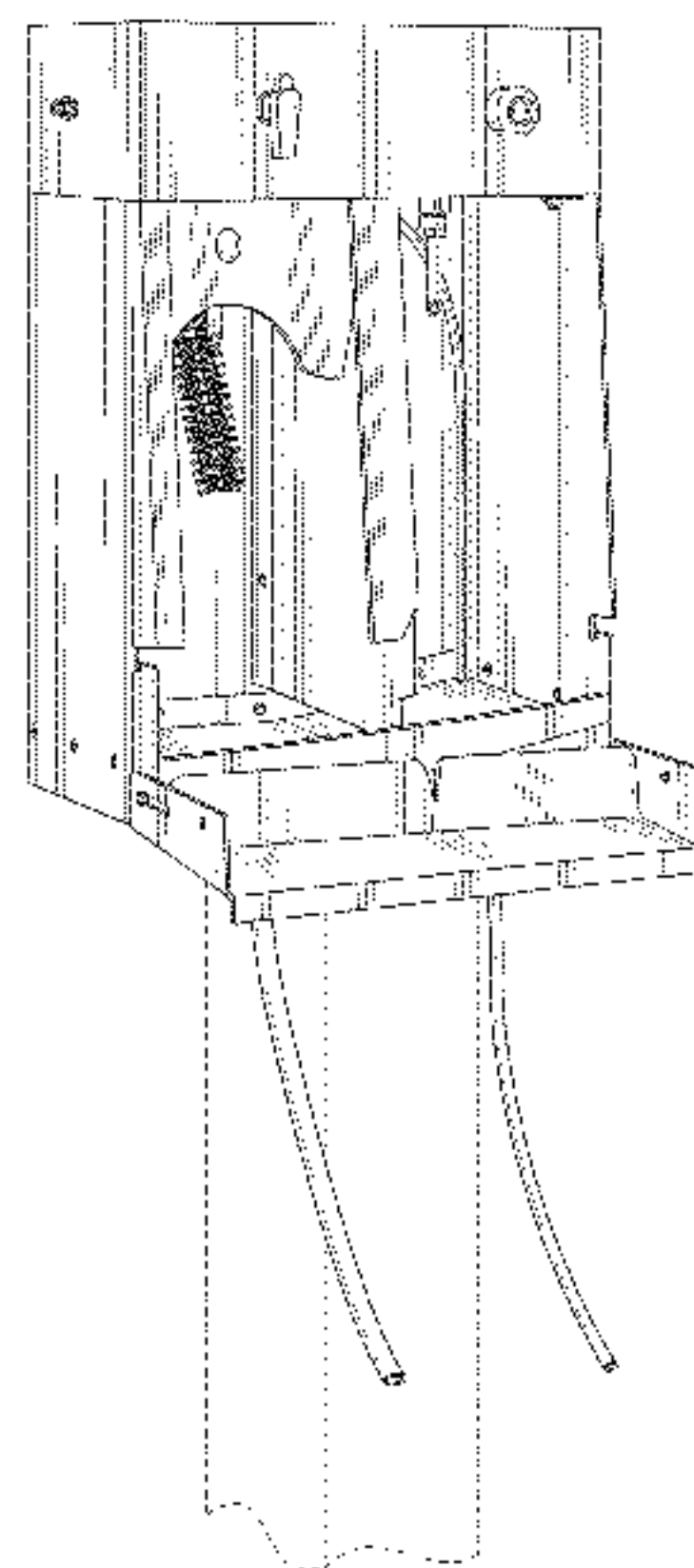
FIG. 1 is a front perspective view of a paint spray gun cleaning device of the subject invention with a bottom cover open; FIG. 2 is a front perspective view thereof with the bottom cover closed; FIG. 3 is a front view thereof; FIG. 4 is a back view thereof; FIG. 5 is a first side view thereof; FIG. 6 is a second side view thereof; FIG. 7 is a top view thereof, with a cover removed; and FIG. 8 is a bottom view thereof; and, FIG. 9 is a top view with a cover. The broken line showing is included for the purpose of illustrating environment and forms no part of the claimed design.

U.S. PATENT DOCUMENTS

1,662,496 A 3/1928 Forsgard  
1,711,221 A 4/1929 Blakeslee  
2,198,441 A 4/1940 Mollart  
2,612,899 A 10/1952 Webb  
2,675,012 A \* 4/1954 Scales ..... 134/85  
2,682,273 A 6/1954 Roach  
2,726,667 A 12/1955 Wigmore  
2,745,418 A 5/1956 Balcom et al.  
2,786,000 A 3/1957 Roach  
2,948,285 A 8/1960 Poe et al.  
D191,611 S \* 10/1961 Kearney ..... D32/1  
D193,172 S \* 7/1962 Kasper ..... D32/1

(Continued)

**1 Claim, 6 Drawing Sheets**



(56)

References Cited

U.S. PATENT DOCUMENTS

3,159,472 A 12/1964 Revell  
 D200,594 S 3/1965 Sass  
 D204,233 S \* 4/1966 Serios ..... D32/1  
 D204,306 S 4/1966 Hamm  
 D205,760 S 9/1966 Hocutt et al.  
 D208,903 S \* 10/1967 Zadron et al. .... D32/4  
 D211,658 S \* 7/1968 Cronin ..... D32/1  
 D211,901 S \* 8/1968 Pingatore ..... D32/1  
 D212,745 S \* 11/1968 Fishman ..... D32/1  
 D217,928 S 6/1970 Felske  
 3,601,135 A 8/1971 Marlow  
 3,656,493 A 4/1972 Black et al.  
 D225,770 S \* 1/1973 Kelso et al. .... D32/1  
 D238,390 S \* 1/1976 Akel ..... D32/1  
 4,025,363 A 5/1977 De Santis  
 D245,607 S \* 8/1977 Morrival ..... D32/1  
 D249,043 S \* 8/1978 McMullen ..... D32/1  
 4,105,342 A \* 8/1978 Plourde ..... 401/15  
 D276,472 S \* 11/1984 Harrison ..... D32/1  
 D287,653 S \* 1/1987 Nelson ..... D32/1  
 D288,600 S \* 3/1987 Vander Hout et al. .... D24/217  
 D289,811 S \* 5/1987 Sakamoto ..... D32/1  
 D293,950 S 1/1988 Ogden et al.  
 D297,578 S \* 9/1988 Brightbill et al. .... D32/1  
 D298,372 S \* 11/1988 Taylor, Jr. .... D32/1  
 4,785,836 A 11/1988 Yamamoto  
 4,793,369 A 12/1988 Robb et al.  
 4,826,539 A 5/1989 Harpold  
 D303,854 S \* 10/1989 Linton ..... D32/1  
 4,899,769 A 2/1990 Tsai  
 D322,337 S \* 12/1991 Padgett ..... D32/1  
 5,143,102 A \* 9/1992 Blaul ..... 134/58 R  
 5,183,066 A 2/1993 Hethcoat  
 5,213,117 A 5/1993 Yamamoto  
 5,232,299 A 8/1993 Hiss  
 D341,683 S \* 11/1993 Angle et al. .... D32/1  
 5,388,601 A 2/1995 Mansur  
 5,492,137 A \* 2/1996 Giblin et al. .... 134/60  
 5,584,899 A 12/1996 Shorts  
 5,704,381 A \* 1/1998 Millan et al. .... 134/102.2  
 5,720,308 A \* 2/1998 Danowski et al. .... 134/111  
 D402,820 S 12/1998 Morison et al.  
 5,853,014 A 12/1998 Rosenauer

5,937,875 A 8/1999 Nygren  
 6,279,587 B1 \* 8/2001 Yamamoto ..... 134/57 R  
 6,554,009 B1 4/2003 Beijbom et al.  
 6,571,810 B1 \* 6/2003 McClure et al. .... 134/111  
 6,647,997 B2 11/2003 Mohn  
 6,732,751 B2 5/2004 Chiang  
 6,955,180 B2 10/2005 Kocherlakota et al.  
 D518,607 S \* 4/2006 Franzino ..... D32/1  
 D538,493 S 3/2007 Zimmerle et al.  
 D581,107 S \* 11/2008 Schmon ..... D32/1  
 D619,311 S \* 7/2010 Publ et al. .... D32/1  
 8,454,759 B2 6/2013 Selsvik  
 8,925,836 B2 1/2015 Dettlaff et al.  
 D733,369 S 6/2015 Tschan  
 D734,571 S 7/2015 Tschan  
 2003/0127046 A1 7/2003 Zehner et al.

FOREIGN PATENT DOCUMENTS

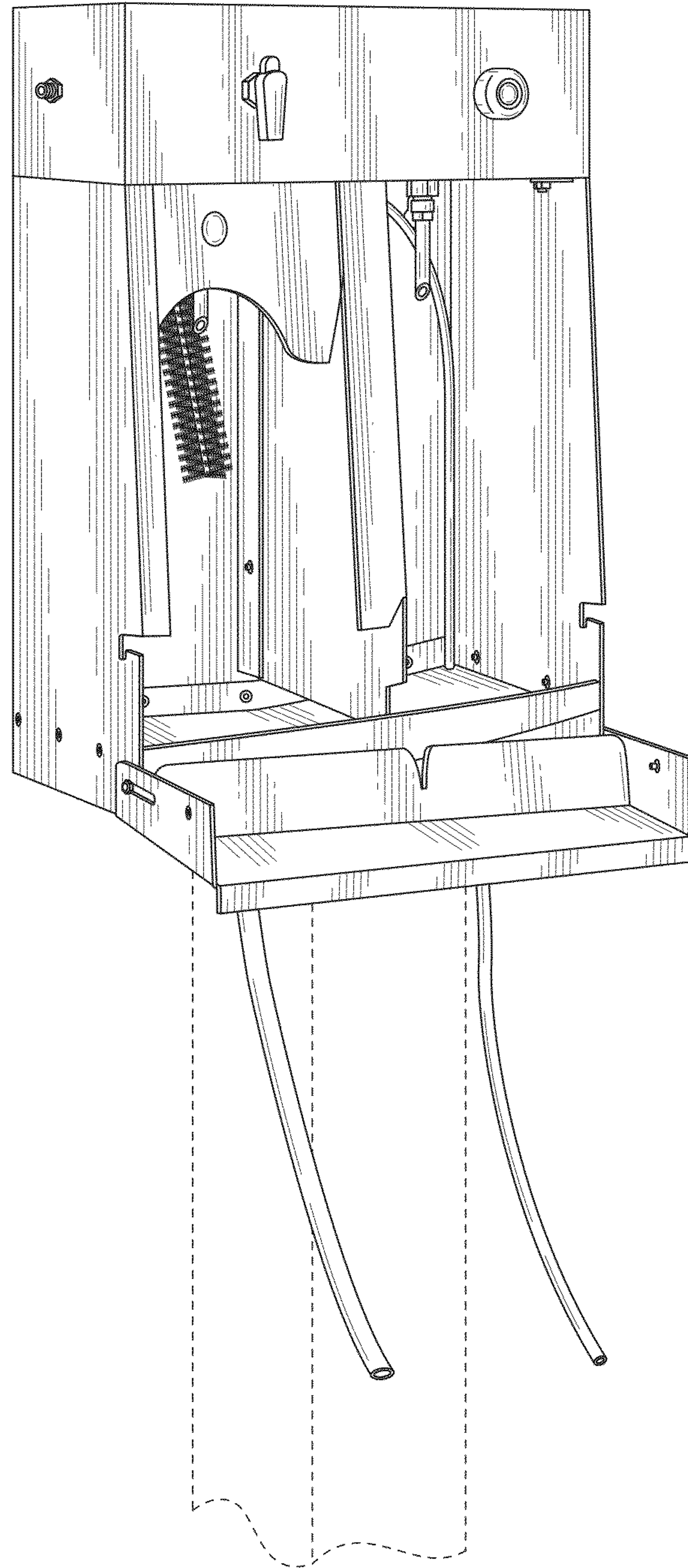
EM 002098962 9/2012  
 EM 002099036 9/2012

OTHER PUBLICATIONS

Paint Booths—Diversified Air Systems, Announced Nov. 8, 2006, [Site Visited Apr. 29, 2015] <http://www.diversair.com/products/paintbooths.php>.  
 Office Action dated Jan. 14, 2015 for Design U.S. Appl. No. 29/447,887.  
 Herkules Paint Gun Washers brochure published date Jan. 2012, [online], [site visited Jan. 7, 2015], <[http://www.herkules.us/pdfs/L0076-1-Herkules-Gun\\_Washers-4-page-brochure.pdf](http://www.herkules.us/pdfs/L0076-1-Herkules-Gun_Washers-4-page-brochure.pdf)>.  
 Jetclean Gun Cleaner Terry's Auto Supply, google publish date Aug. 4, 2011, [online], [site visited Jan. 7, 2015], <<http://secure.terrys.net/viewProduct.php?productID=FT.FHAZ1005>>.  
 Response filed Apr. 14, 2015 to Office Action dated Jan. 14, 2015 for Design U.S. Appl. No. 29/447,887.  
 Notice of Allowance dated Apr. 30, 2015 for Design U.S. Appl. No. 29/447,887.  
 Notice of Allowance dated Jan. 15, 2015 for Design U.S. Appl. No. 29/490,620.  
 Notice of Allowance dated May 6, 2015 for Design U.S. Appl. No. 29/490,620.

\* cited by examiner





**FIG. 1**

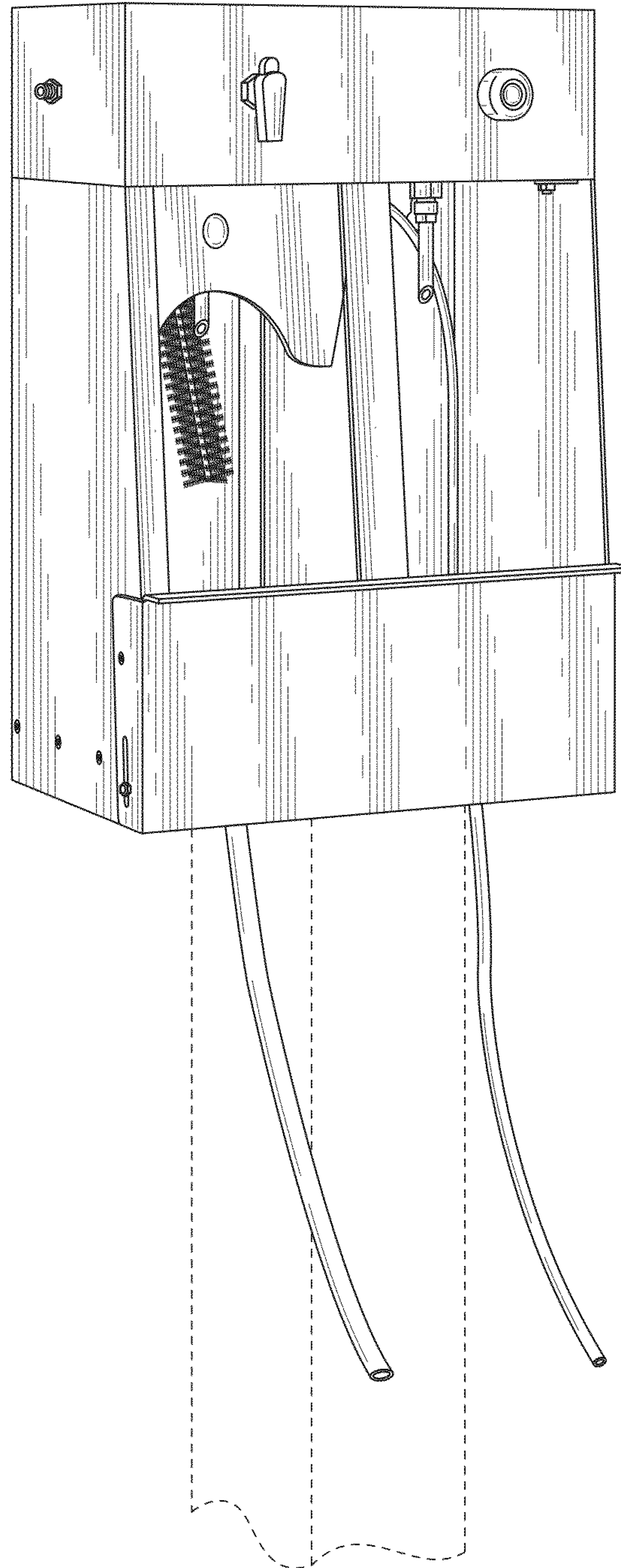
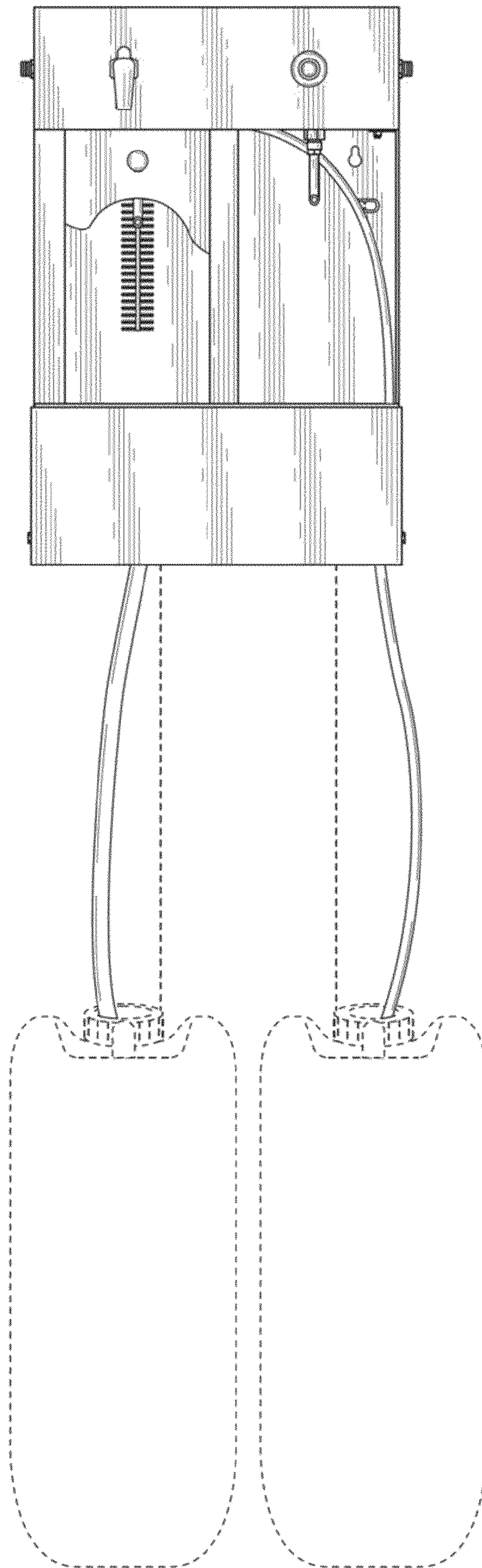
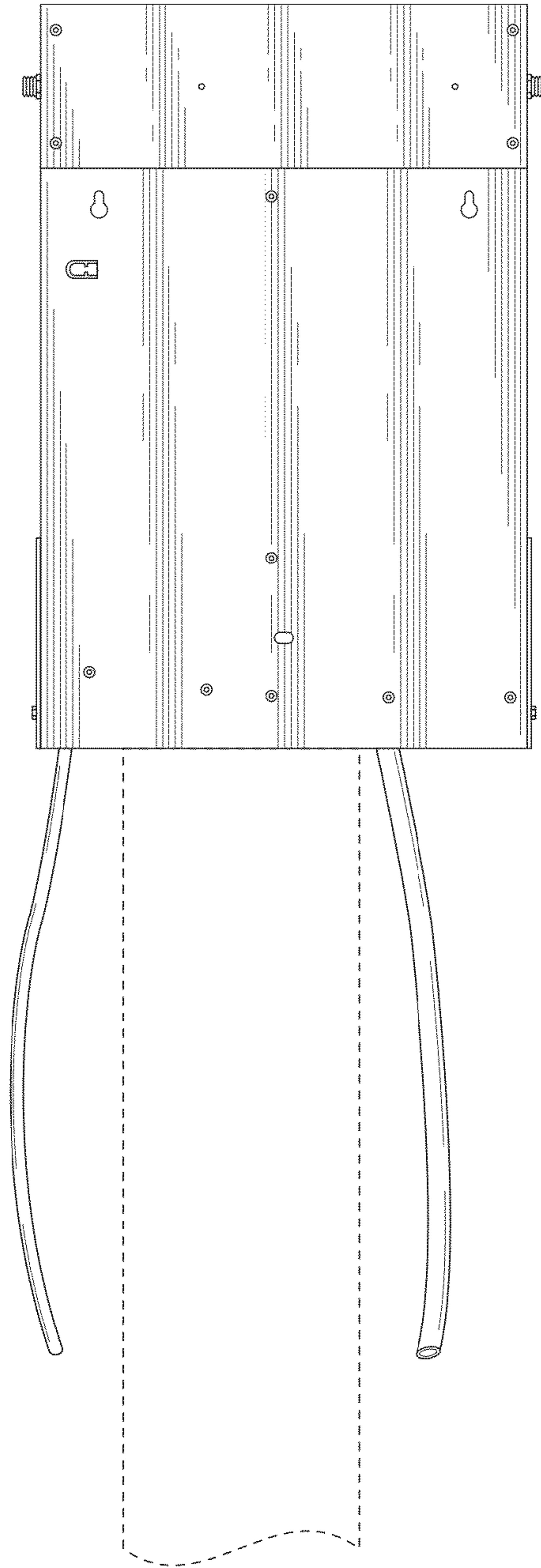


FIG. 2



**FIG. 3**





**FIG. 4**

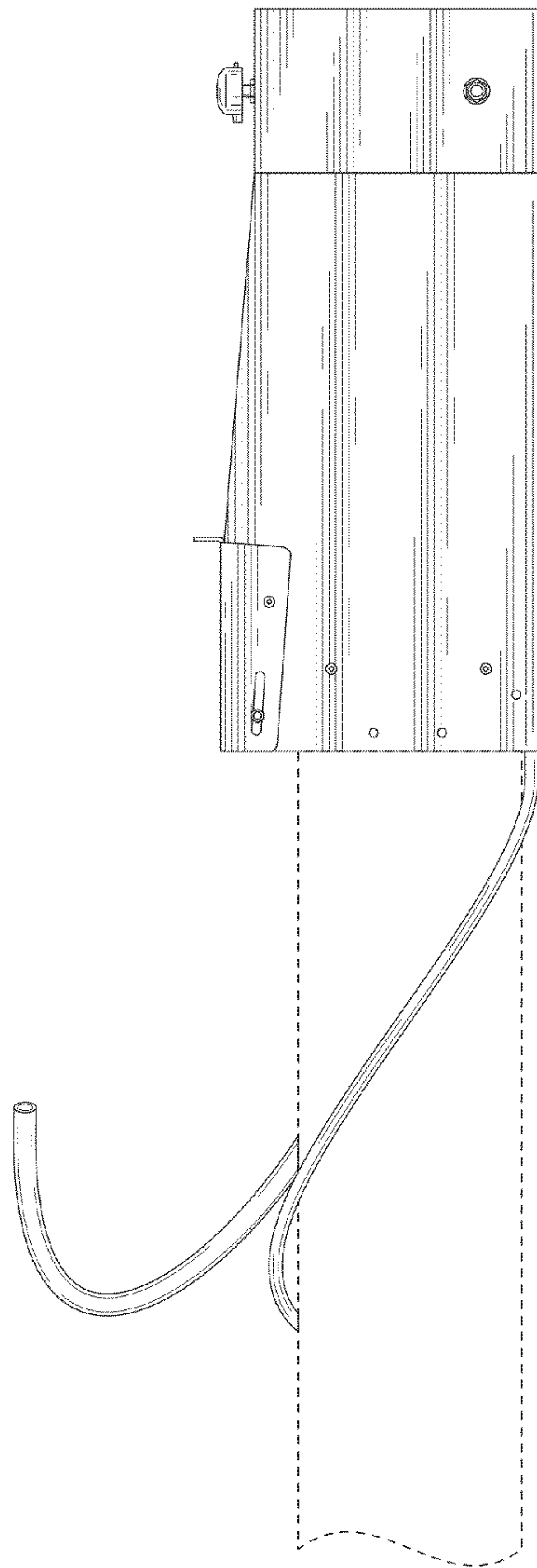


FIG. 5

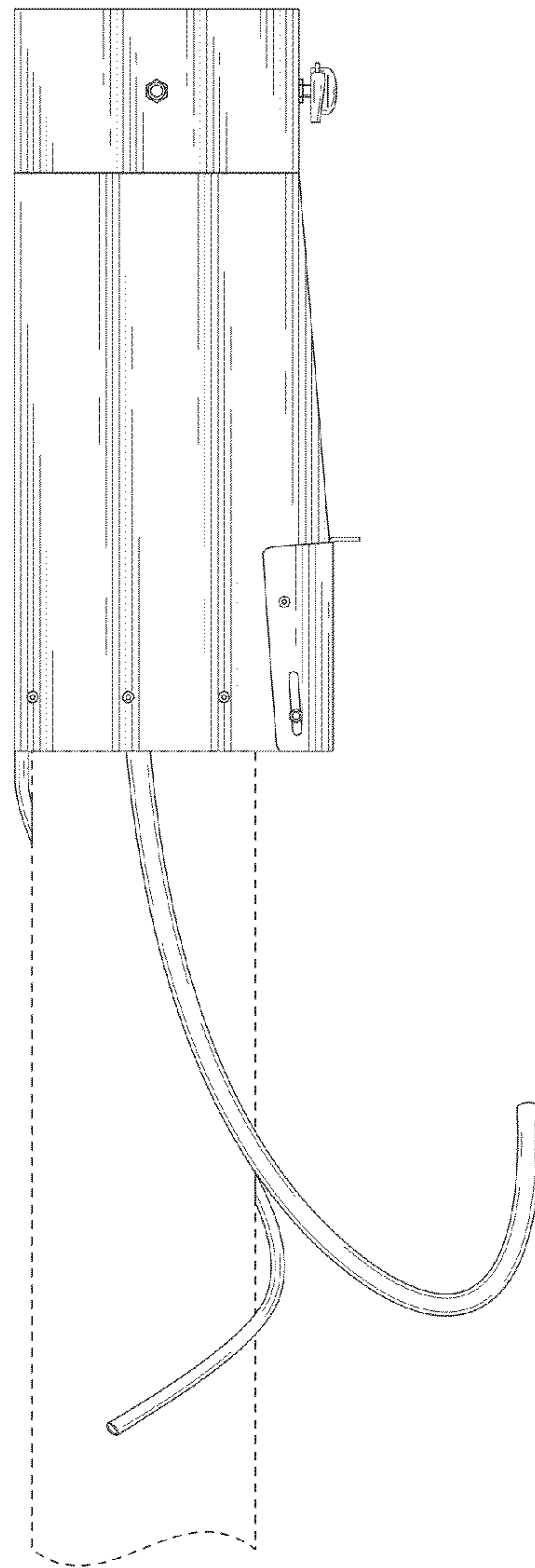


FIG. 6

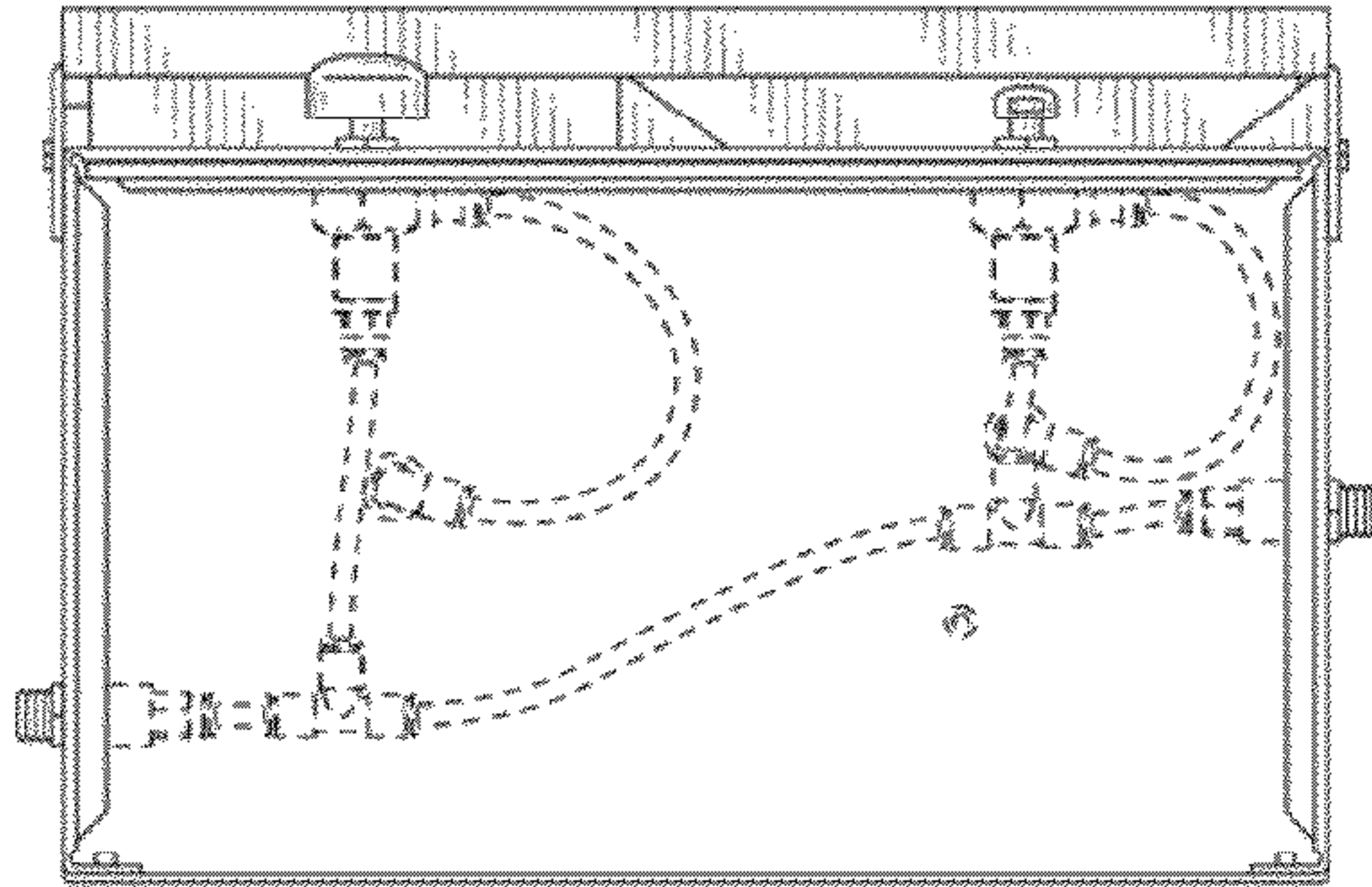


FIG. 7

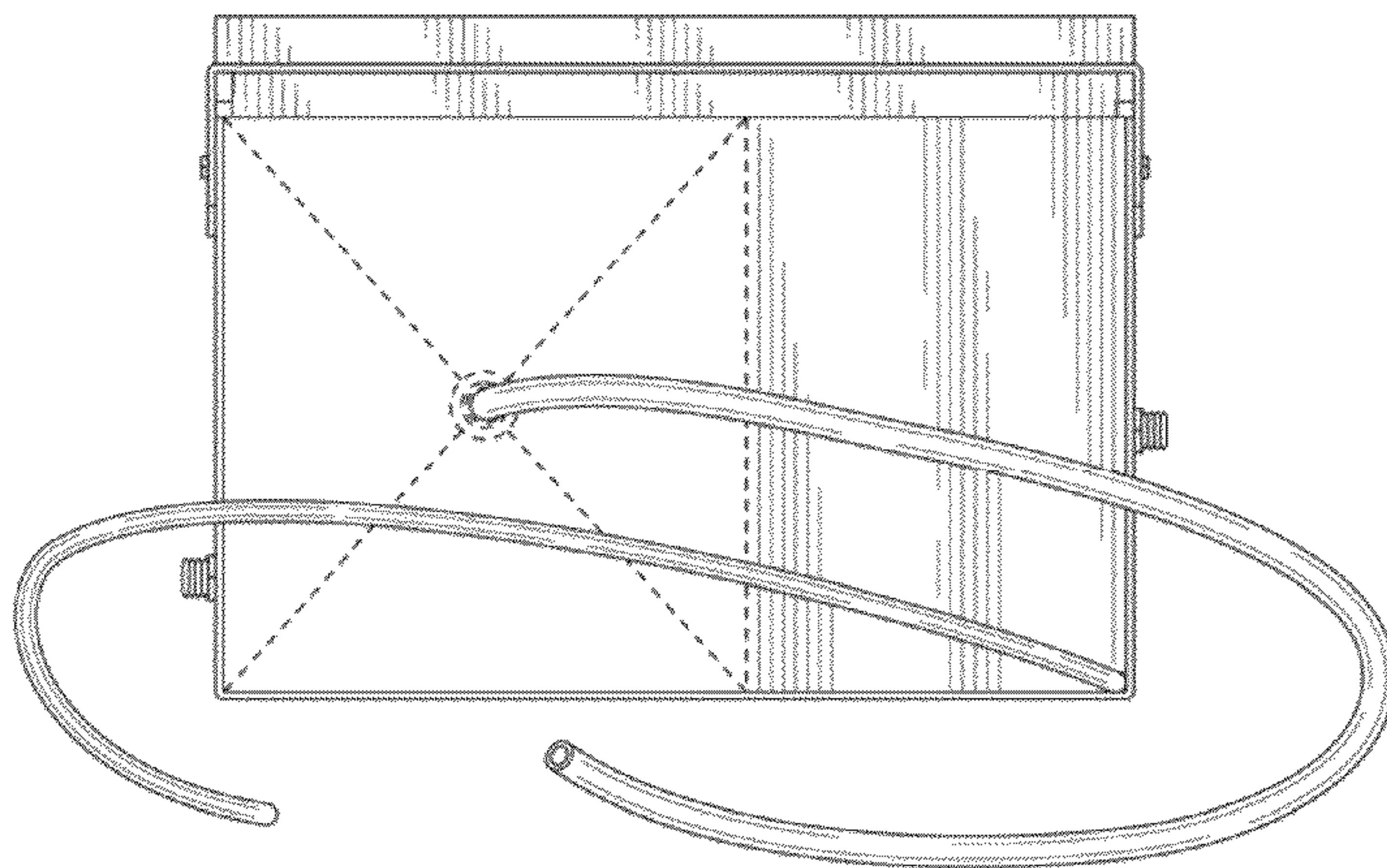


FIG. 8

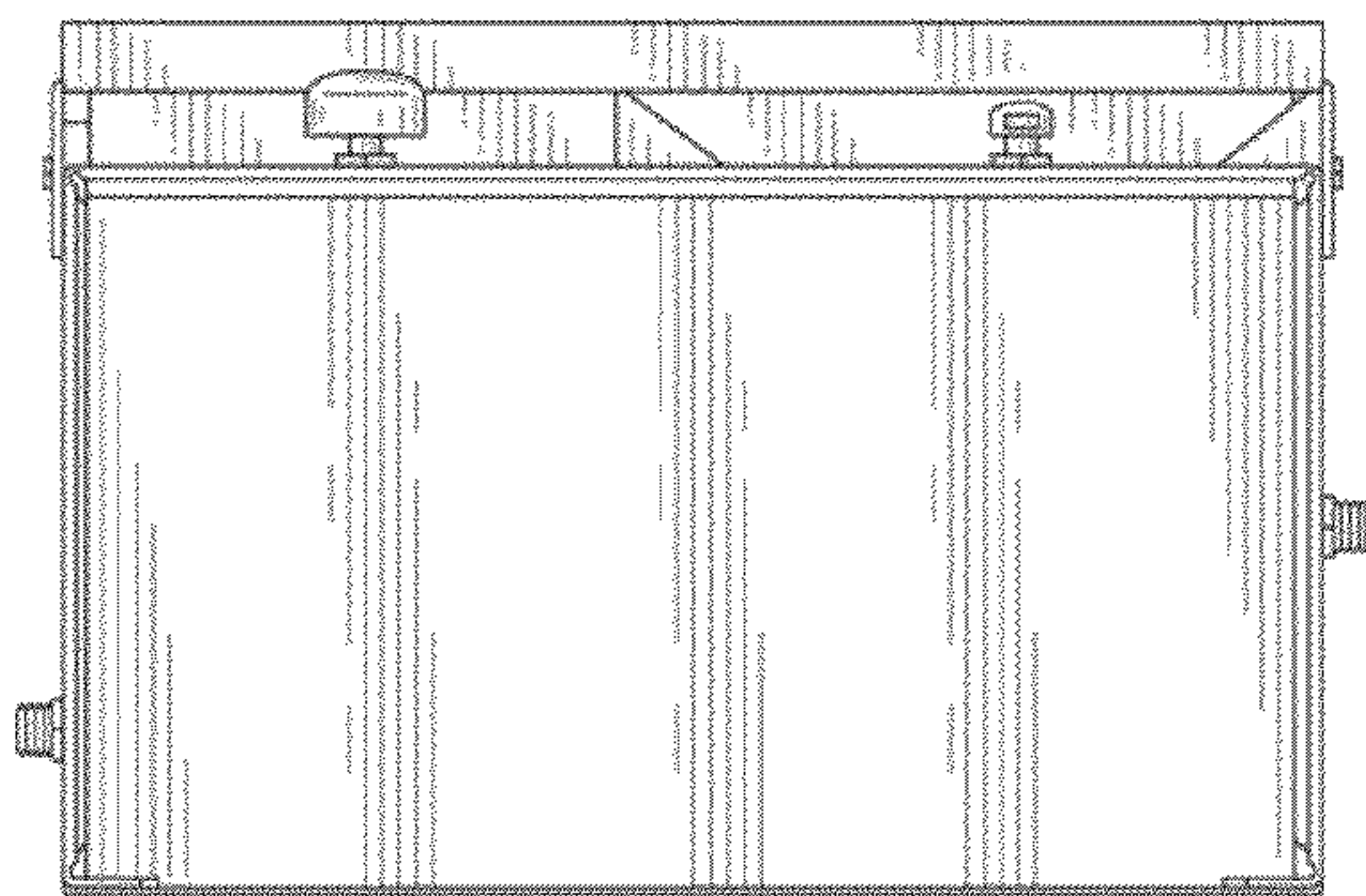


FIG. 9