



US00D750850S

(12) **United States Design Patent**  
**Javornick et al.**

(10) **Patent No.:** **US D750,850 S**  
(45) **Date of Patent:** **\*\* Mar. 1, 2016**

(54) **PET COLLAR RING**  
(71) Applicant: **Dig It, Inc.**, Carnegie, PA (US)  
(72) Inventors: **Georgine Javornick**, Carnegie, PA (US);  
**David Aliberti**, Pittsburgh, PA (US)  
(73) Assignee: **Dig It, Inc.**, Pittsburgh, PA (US)  
(\*\*) Term: **14 Years**  
(21) Appl. No.: **29/506,917**  
(22) Filed: **Oct. 22, 2014**  
(51) **LOC (10) Cl.** ..... **30-04**  
(52) **U.S. Cl.**  
USPC ..... **D30/152**; D11/218  
(58) **Field of Classification Search**  
USPC ..... D30/144, 151, 152, 199; D11/200, 218;  
D2/163, 169, 171, 194, 196, 198, 199,  
D2/200, 614, 615, 616; D8/300, 356, 367,  
D8/371, 372, 383, 394, 395, 396; 119/174,  
119/712, 769, 792, 802, 856, 858, 863,  
119/865; 224/241, 505, 582; 54/21  
CPC ..... A01K 27/005; A01K 27/006  
See application file for complete search history.

D471,328 S 3/2003 Hanna  
D471,678 S \* 3/2003 Hanna ..... D11/218  
D492,107 S 6/2004 Brown  
D536,280 S \* 2/2007 Wemmer ..... D11/218  
D592,939 S \* 5/2009 Kelleghan ..... D8/356  
D622,562 S 8/2010 Knapton  
D623,030 S 9/2010 Spater  
D636,835 S \* 4/2011 Fitzpatrick ..... D22/108  
D656,430 S \* 3/2012 Spater ..... D11/210  
D673,880 S 1/2013 Boothby et al.  
D702,003 S \* 4/2014 Fidrych ..... D30/152  
D704,095 S 5/2014 Kowalewski  
D713,292 S \* 9/2014 Fildan ..... D11/210  
D739,303 S \* 9/2015 Kinskey ..... D11/218  
2005/0127660 A1 \* 6/2005 Liu ..... B60R 22/24  
280/808  
2013/0291687 A1 11/2013 Meyer et al.  
2014/0060966 A1 3/2014 Patel et al.

\* cited by examiner

*Primary Examiner* — Robert M Spear  
*Assistant Examiner* — Kendra L Hamilton  
(74) *Attorney, Agent, or Firm* — McKay & Associates, P.C.

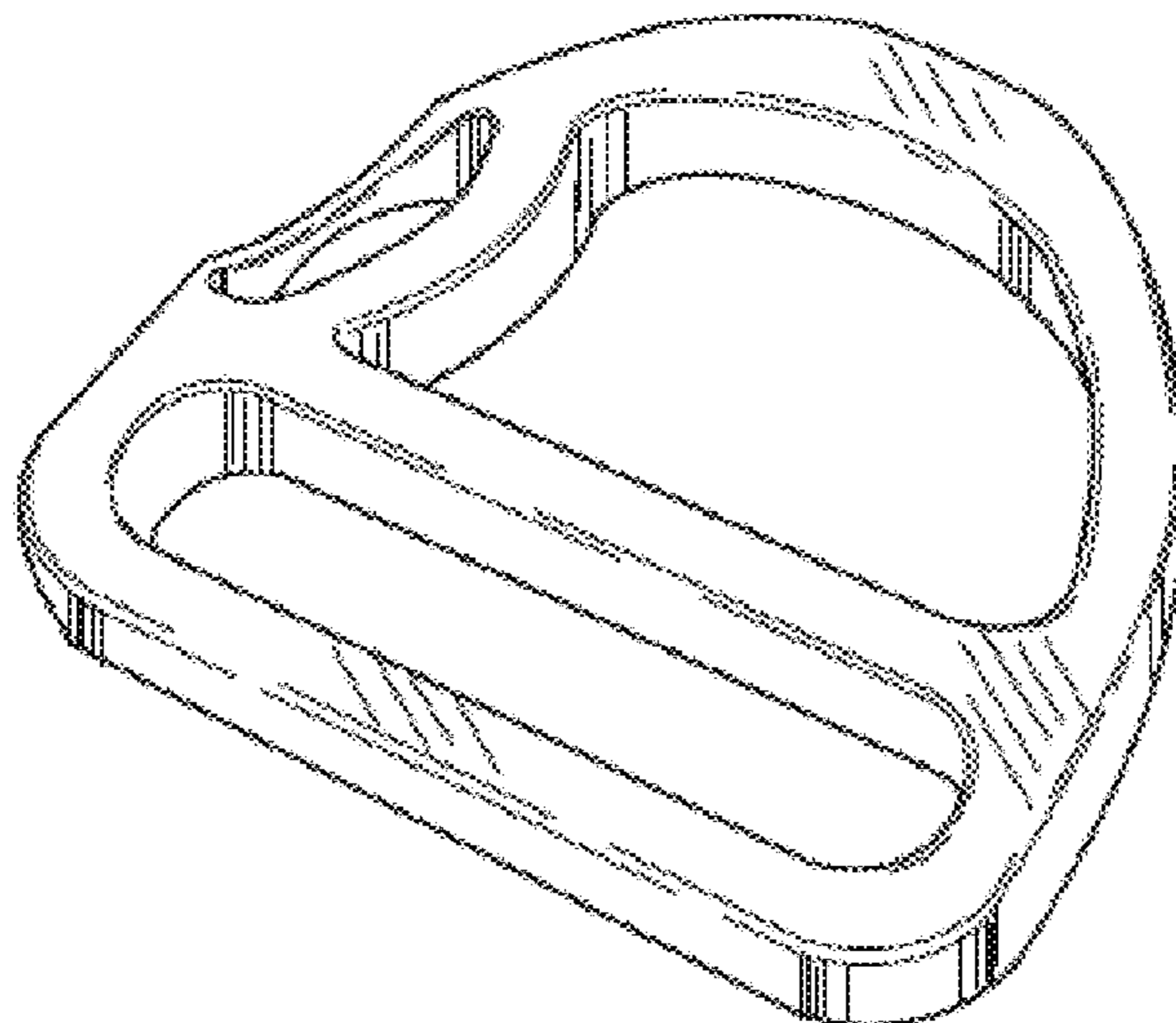
(57) **CLAIM**  
The ornamental design for a pet collar ring, as shown.

**DESCRIPTION**

FIG. 1 is a perspective view of a pet collar ring, showing my new design;  
FIG. 2 is a front elevation view thereof;  
FIG. 3 is a rear elevation view thereof;  
FIG. 4 is a top plan view thereof;  
FIG. 5 is a bottom plan view thereof;  
FIG. 6 is a left side view thereof; and,  
FIG. 7 is a right side view thereof.

**1 Claim, 2 Drawing Sheets**

(56) **References Cited**  
U.S. PATENT DOCUMENTS  
2,411,381 A \* 11/1946 Manson ..... B64D 17/30  
244/151 R  
3,583,750 A \* 6/1971 Norton ..... B66C 1/18  
24/200  
D357,435 S \* 4/1995 Cook ..... D11/200  
D364,126 S \* 11/1995 Ochiai ..... D11/200  
D435,807 S 1/2001 Anscher



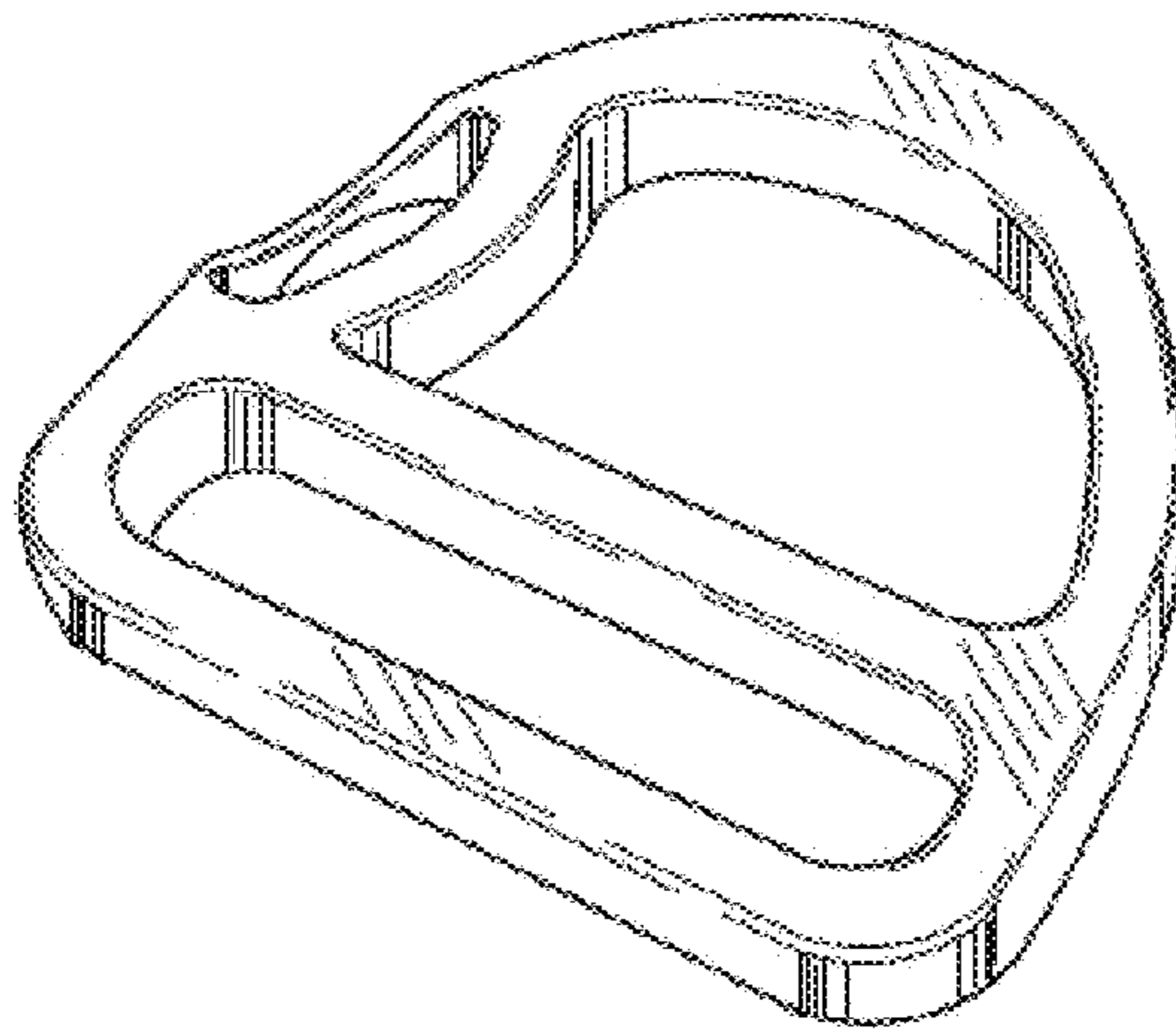


FIG. 1

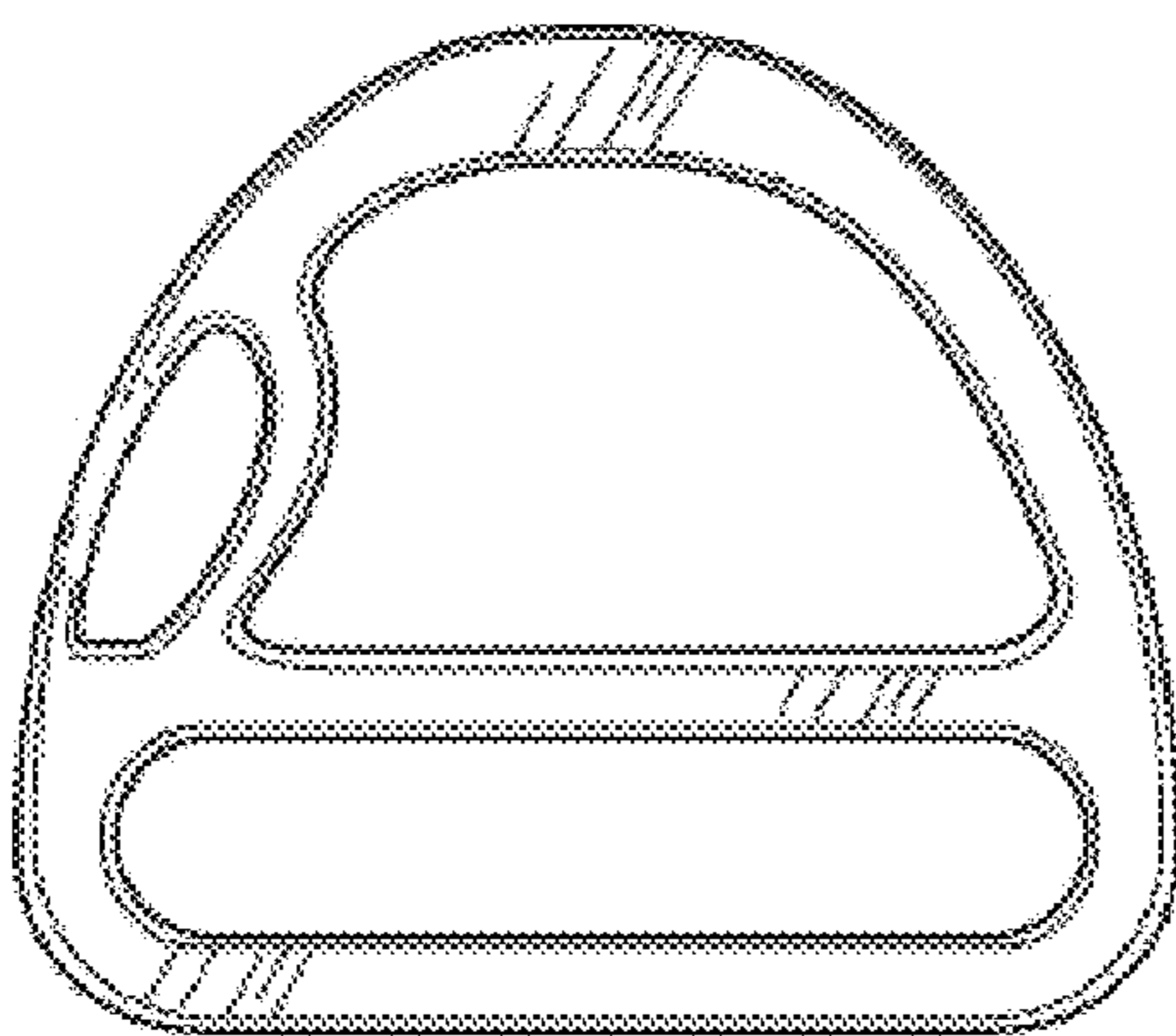


FIG. 2

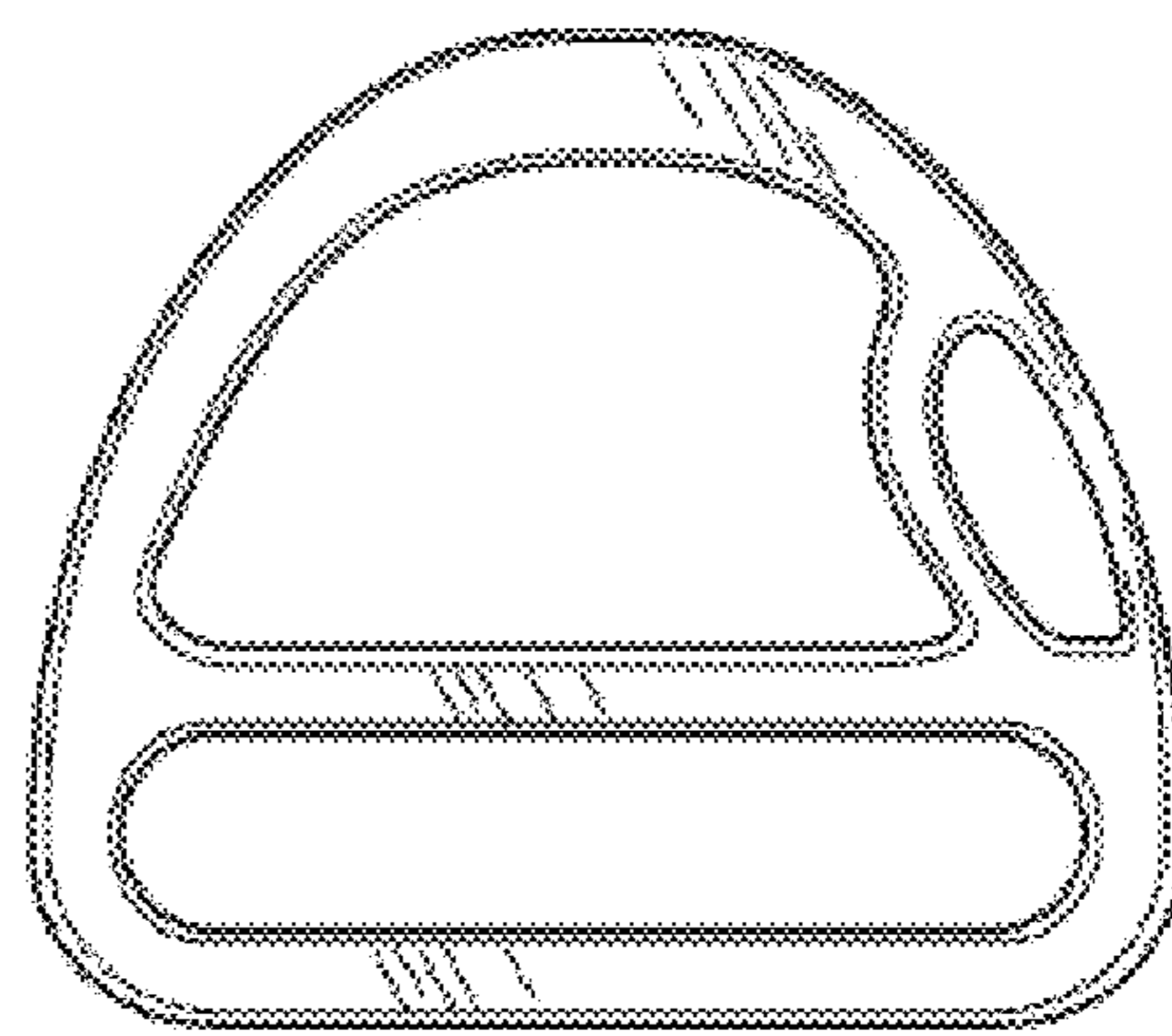


FIG. 3



FIG. 4



FIG. 5

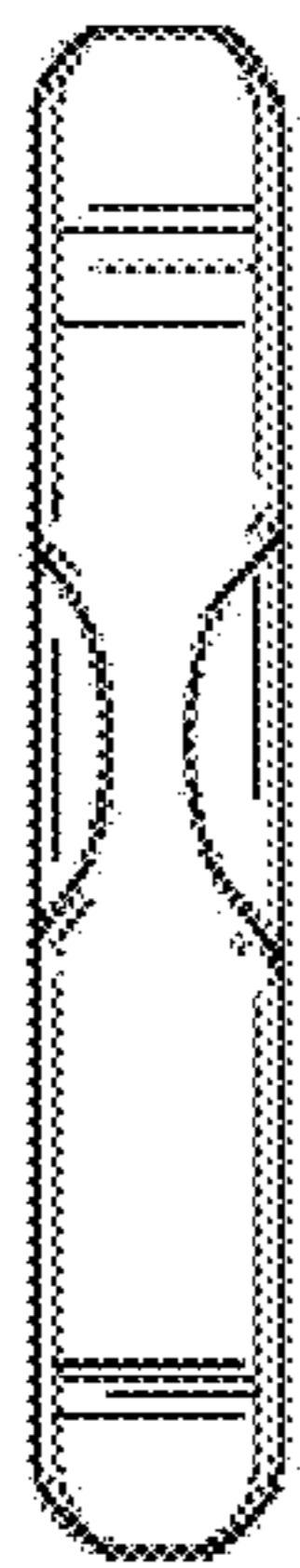


FIG. 6



FIG. 7