



US00D750836S

(12) **United States Design Patent**  
**Elson**

(10) **Patent No.:** **US D750,836 S**  
(45) **Date of Patent:** **\*\* Mar. 1, 2016**

(54) **SMOKING CUP**  
(71) Applicant: **Jeffrey Alan Elson**, Westhampton, NY  
(US)  
(72) Inventor: **Jeffrey Alan Elson**, Westhampton, NY  
(US)  
(\*\*) Term: **14 Years**  
(21) Appl. No.: **29/487,539**  
(22) Filed: **Apr. 9, 2014**  
(51) **LOC (10) Cl.** ..... **27-02**  
(52) **U.S. Cl.**  
USPC ..... **D27/165**  
(58) **Field of Classification Search**  
USPC ..... 220/705, 711, 713, 714, 716, 717, 173,  
220/806, 906, 359.1, 359.3, 229, 259,  
220/259.2, 259.4, 273, 265, 257.1, 258.2;  
D27/162, 165-170, 172, 174, 175, 181,  
D27/183, 186, 187, 102, 105, 108, 110,  
D27/118; D7/507, 509, 510-514, 523,  
D7/532-536, 392, 392.1, 584, 6, 300.1,  
D7/300.2, 531, 391; 131/174, 175, 330,  
131/229; 215/388, 389, 391, 216, 232, 249,  
215/256, 317; D9/434-499, 424, 425, 428,  
D9/518, 529, 504, 503, 500, 502, 543, 301,  
D9/337, 756, 763, 772, 778, 780, 1;  
206/530; 222/556; D12/114; D24/197,  
D24/198; 248/311.2  
CPC ..... A24F 13/02; A24F 13/00; A47G 19/2272  
See application file for complete search history.

D363,852 S \* 11/1995 Young ..... D7/392  
D368,624 S \* 4/1996 Forrer ..... D7/392.1  
D372,426 S \* 8/1996 Garnett ..... D7/392.1  
D476,891 S \* 7/2003 Clarke ..... D9/447  
6,976,604 B2 \* 12/2005 Connors, Jr. .... A47G 19/2272  
215/388  
7,431,175 B2 \* 10/2008 Heilos ..... A47G 19/2272  
215/389  
7,757,885 B2 \* 7/2010 Goeking ..... B65D 43/0212  
220/229  
D630,510 S \* 1/2011 Yacktman ..... D9/447  
2006/0261233 A1 \* 11/2006 Williams ..... A47G 19/2227  
248/311.2  
2011/0266295 A1 \* 11/2011 Yacktman ..... B65D 25/48  
220/713

\* cited by examiner

*Primary Examiner* — Susan Bennett Hattan  
*Assistant Examiner* — Rebecca Tsehaye  
(74) *Attorney, Agent, or Firm* — Davidoff Hutter & Citron  
LLP; David H. Siegel

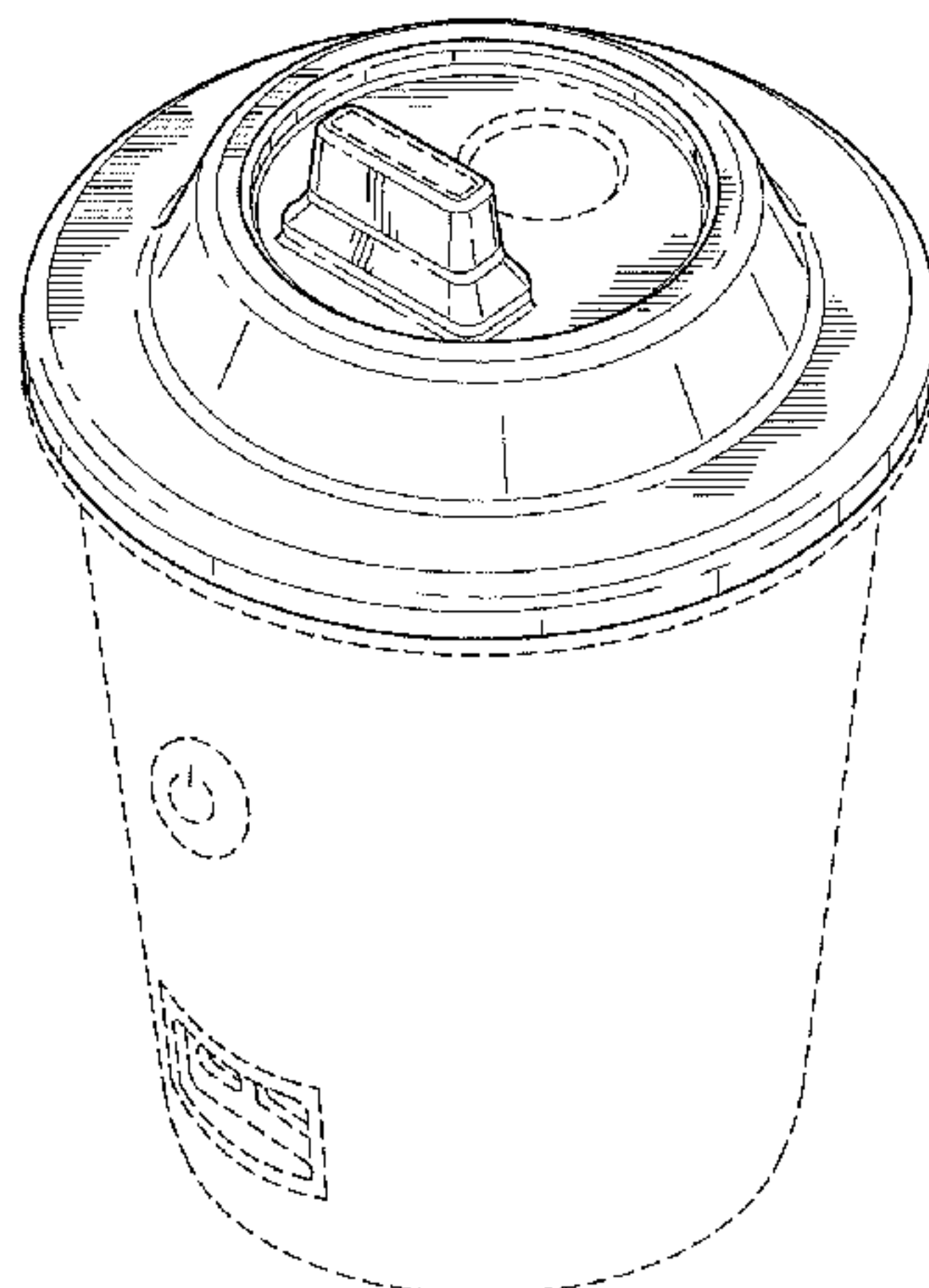
(57) **CLAIM**  
The ornamental design for a smoking cup, as shown and  
described.

**DESCRIPTION**

FIG. 1 is a top, front perspective view of the claimed design.  
FIG. 2 is a top, rear perspective view of the claimed design.  
FIG. 3 is a front elevational view of the claimed design.  
FIG. 4 is a rear elevational view of the claimed design.  
FIG. 5 is a top plan view of the claimed design.  
FIG. 6 is a bottom plan view of the claimed design.  
FIG. 7 is a left side elevational view of the claimed design;  
and,  
FIG. 8 is right side elevational view of the claimed design.  
The broken lines depict portions of the smoking cup and form  
no part of the claimed design.

**1 Claim, 4 Drawing Sheets**

(56) **References Cited**  
U.S. PATENT DOCUMENTS  
4,236,539 A \* 12/1980 Mosby, Jr. .... A24F 13/16  
131/175  
D322,222 S \* 12/1991 Coy ..... D9/447



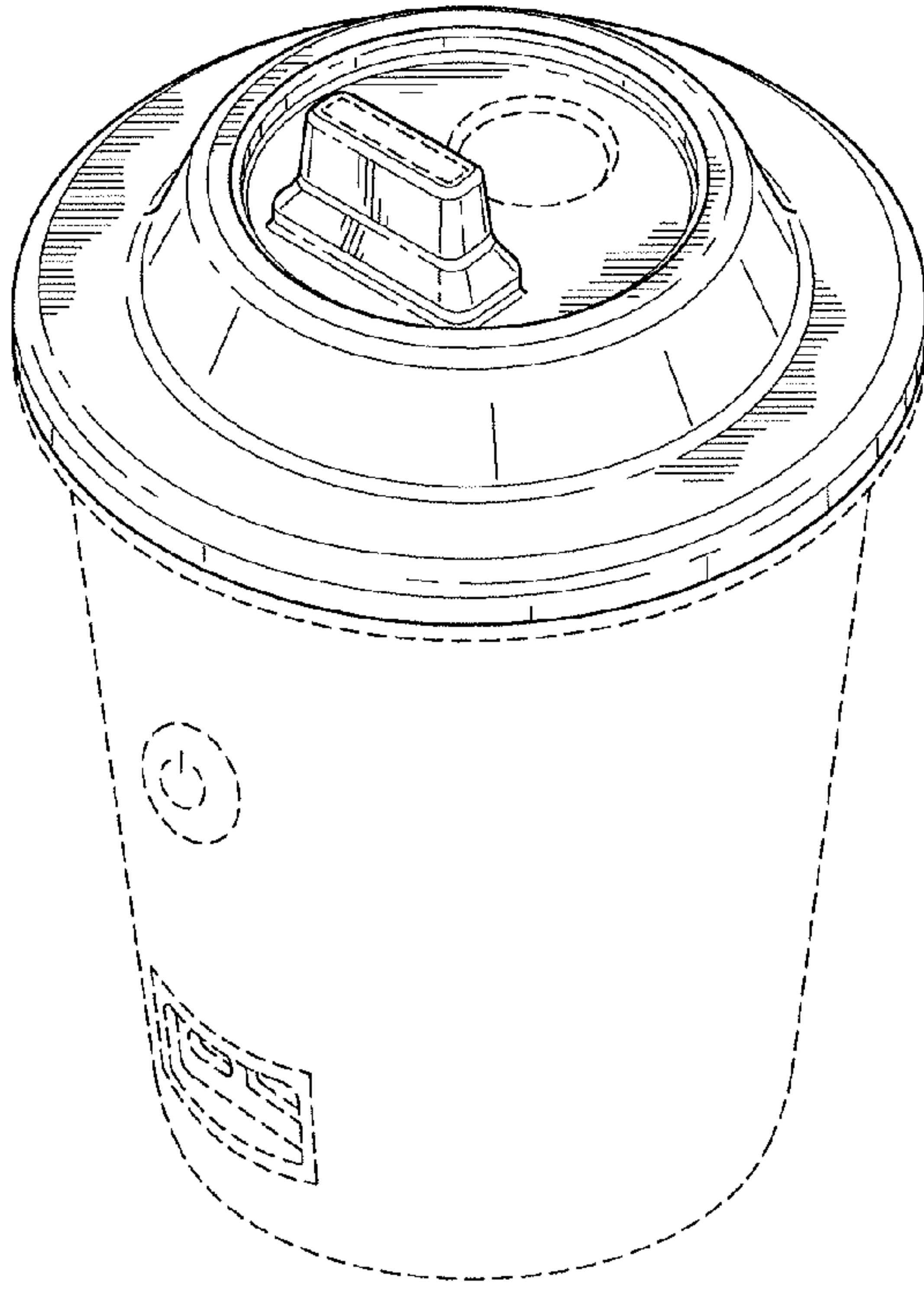


FIG. 1

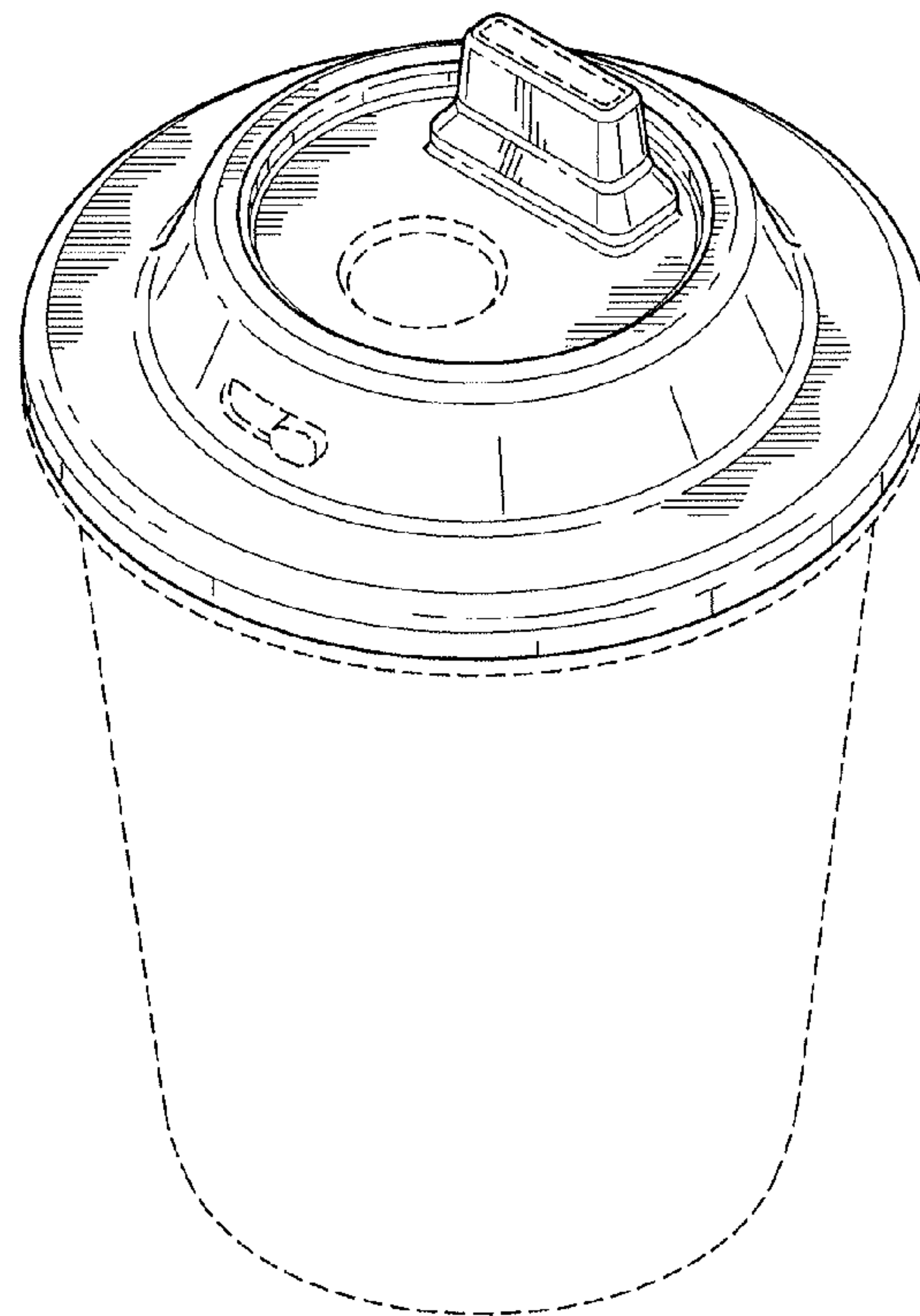


FIG. 2

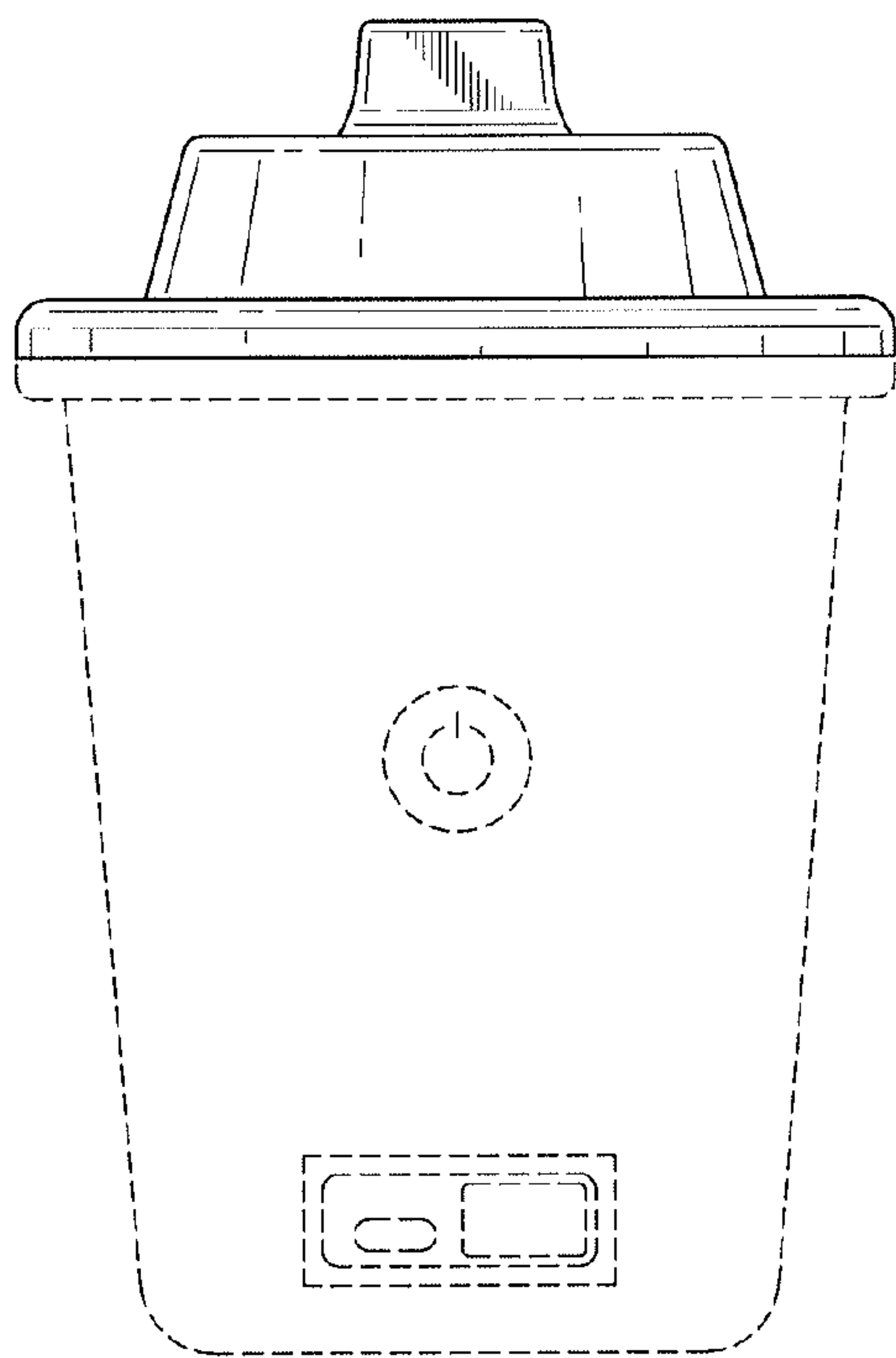


FIG. 3

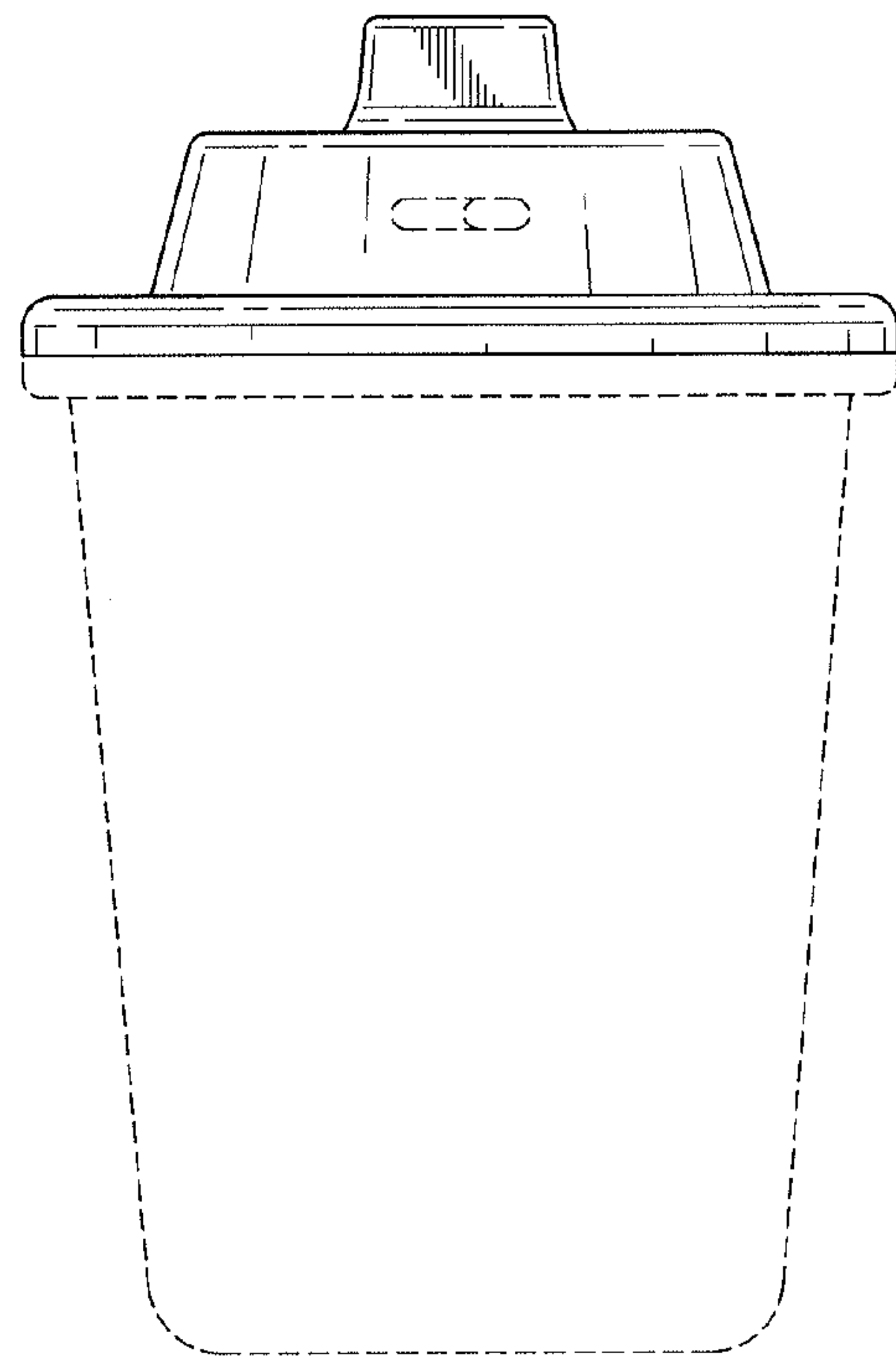


FIG. 4

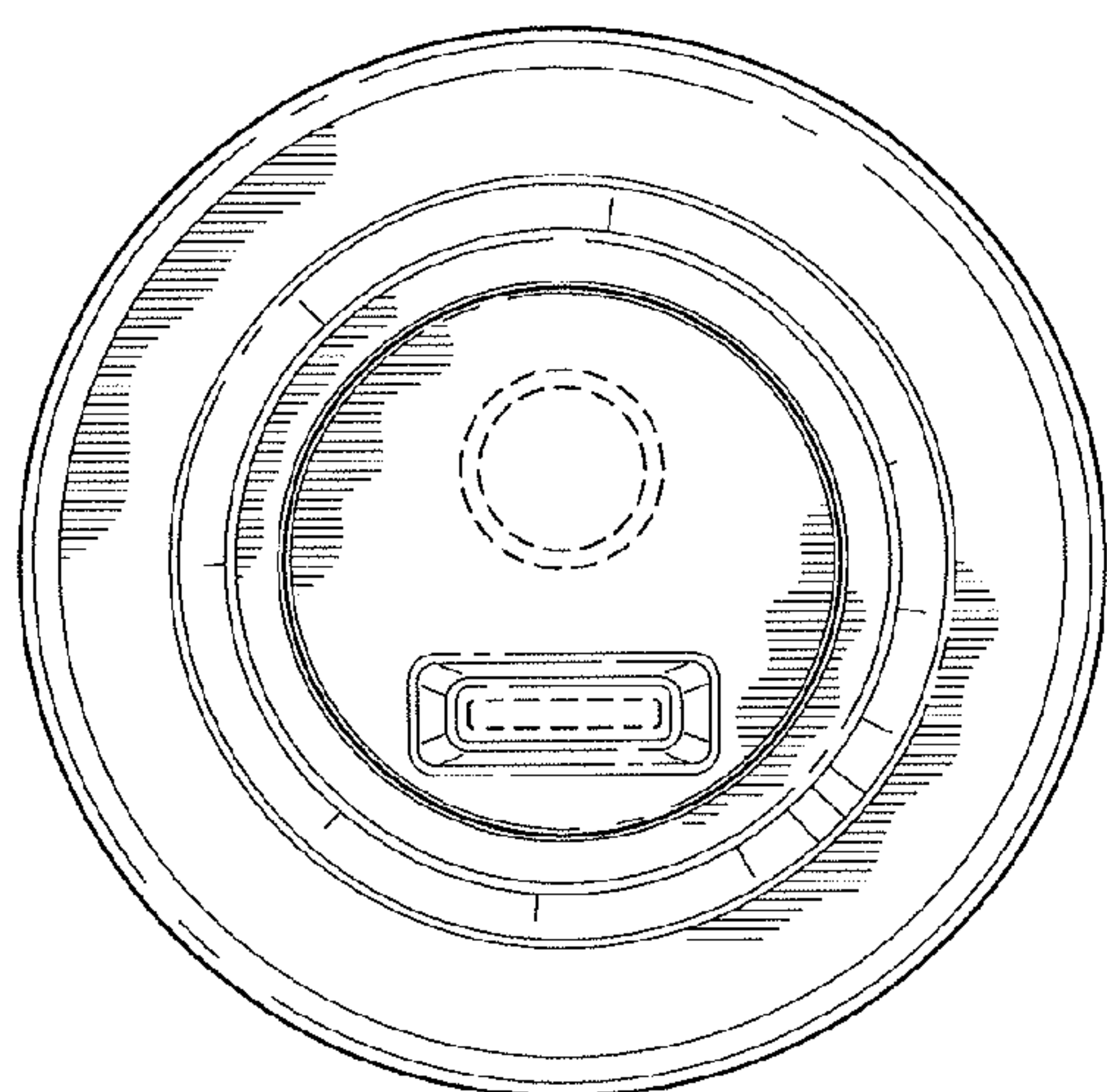


FIG. 5

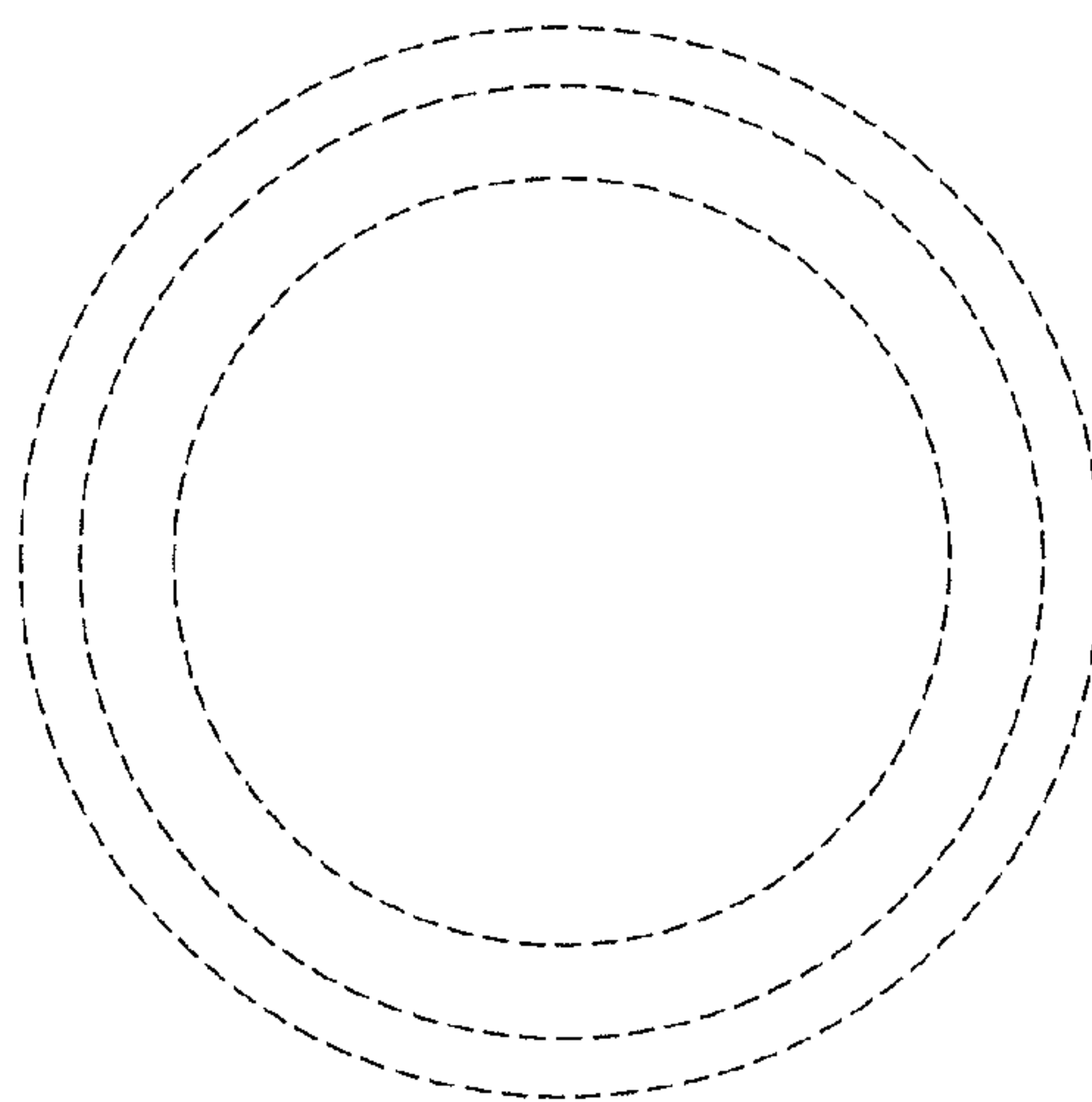


FIG. 6

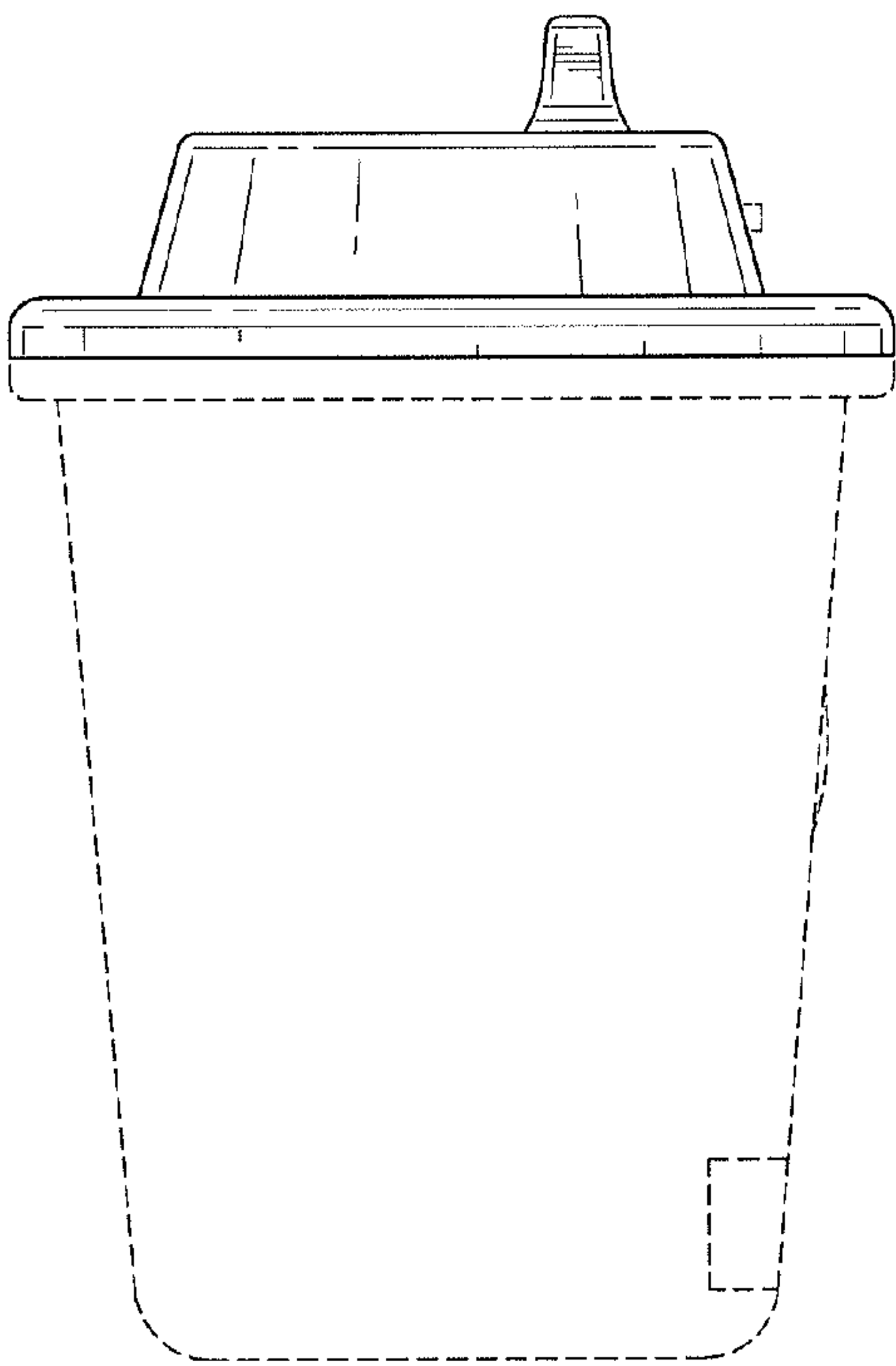


FIG. 7

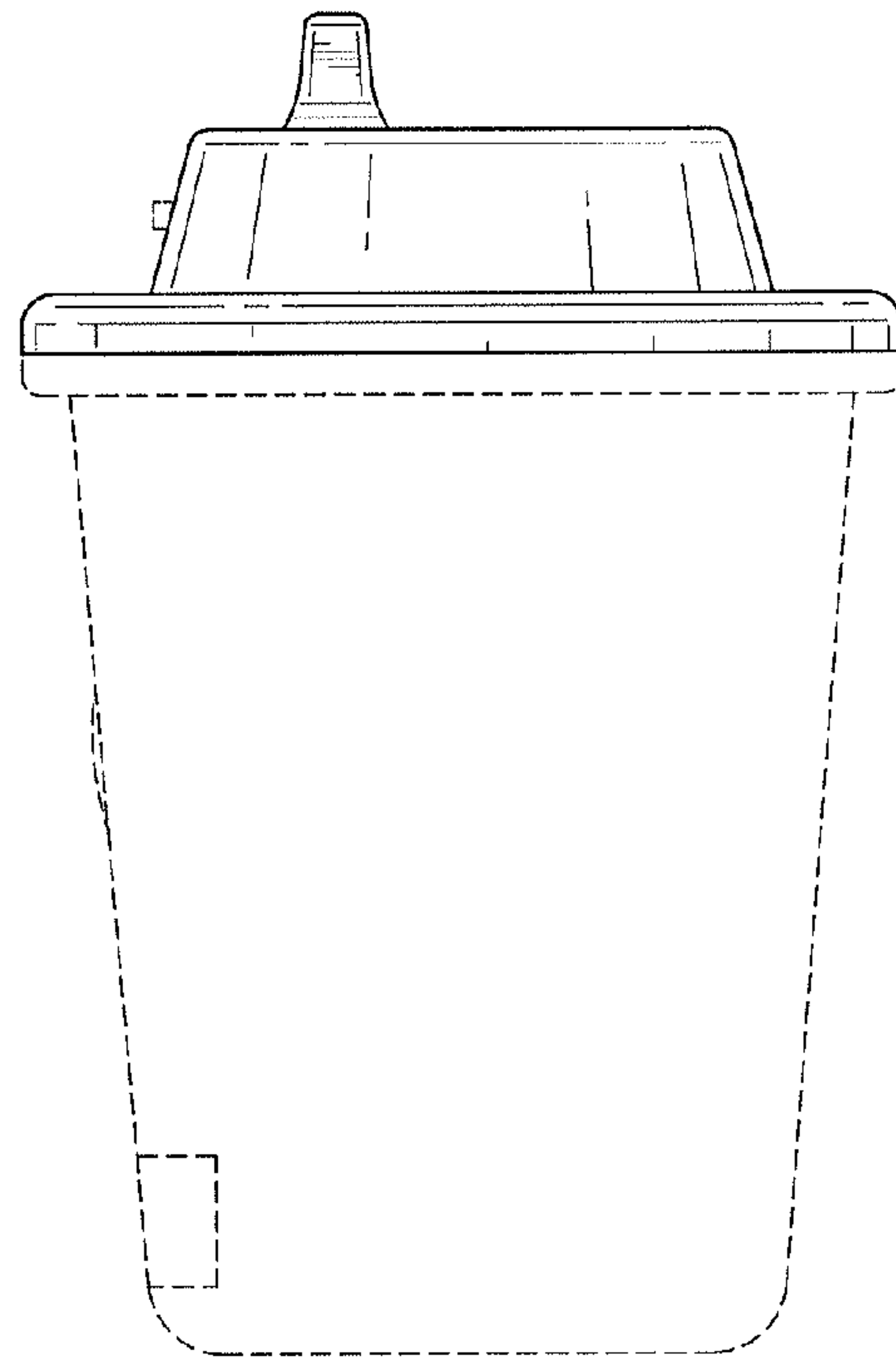


FIG. 8