



US00D750834S

(12) **United States Design Patent**
Wei

(10) **Patent No.:** **US D750,834 S**
(45) **Date of Patent:** **** Mar. 1, 2016**

(54) **ELECTRONIC CIGARETTE**
(71) Applicant: **HK Triangle Co., Limited**, Cheung Sha Wan. KL (CN)
(72) Inventor: **Chen Wei**, Ezhou (CN)
(73) Assignee: **HK TRIANGLE CO., LIMITED**, Cheung Sha Wan. KL (HK)

(**) Term: **14 Years**
(21) Appl. No.: **29/490,638**

(22) Filed: **May 12, 2014**

(30) **Foreign Application Priority Data**

Nov. 28, 2013 (CN) 2013 3 0584026
Dec. 6, 2013 (CN) 2013 3 0602883

(51) **LOC (10) Cl.** **27-01**

(52) **U.S. Cl.**
USPC **D27/101**

(58) **Field of Classification Search**
USPC D27/100, 101, 162, 165, 194; 131/270, 131/271, 273, 329, 330, 347, 348, 360
CPC A24F 1/28; A24F 1/30; A24F 25/00; A24F 47/002; A24F 47/004; A24F 47/006; A24F 47/008; A24B 1/00
See application file for complete search history.

(56) **References Cited**

U.S. PATENT DOCUMENTS

D695,449 S * 12/2013 Tucker D27/101
D728,154 S * 4/2015 Lavanchy D27/100
D729,439 S * 5/2015 Scatterday D27/101
D739,597 S * 9/2015 Lavanchy D27/100
2010/0200008 A1* 8/2010 Taieb A24F 47/008
131/360
2014/0007863 A1* 1/2014 Chen A24F 47/008
128/200.14
2014/0069425 A1* 3/2014 Zhang A24F 47/008
128/202.21
2014/0283858 A1* 9/2014 Liu A24F 47/008
131/329

2014/0332017 A1* 11/2014 Liu A24F 47/008
131/329
2015/0083145 A1* 3/2015 Li H01M 2/1055
131/329
2015/0164143 A1* 6/2015 Maas A24F 47/008
131/329
2015/0173422 A1* 6/2015 Liu A24F 47/008
131/329
2015/0208726 A1* 7/2015 Liu H05B 1/0244
131/329
2015/0216232 A1* 8/2015 Bless A47F 47/008
131/328
2015/0216236 A1* 8/2015 Bless B23K 26/20
131/328

* cited by examiner

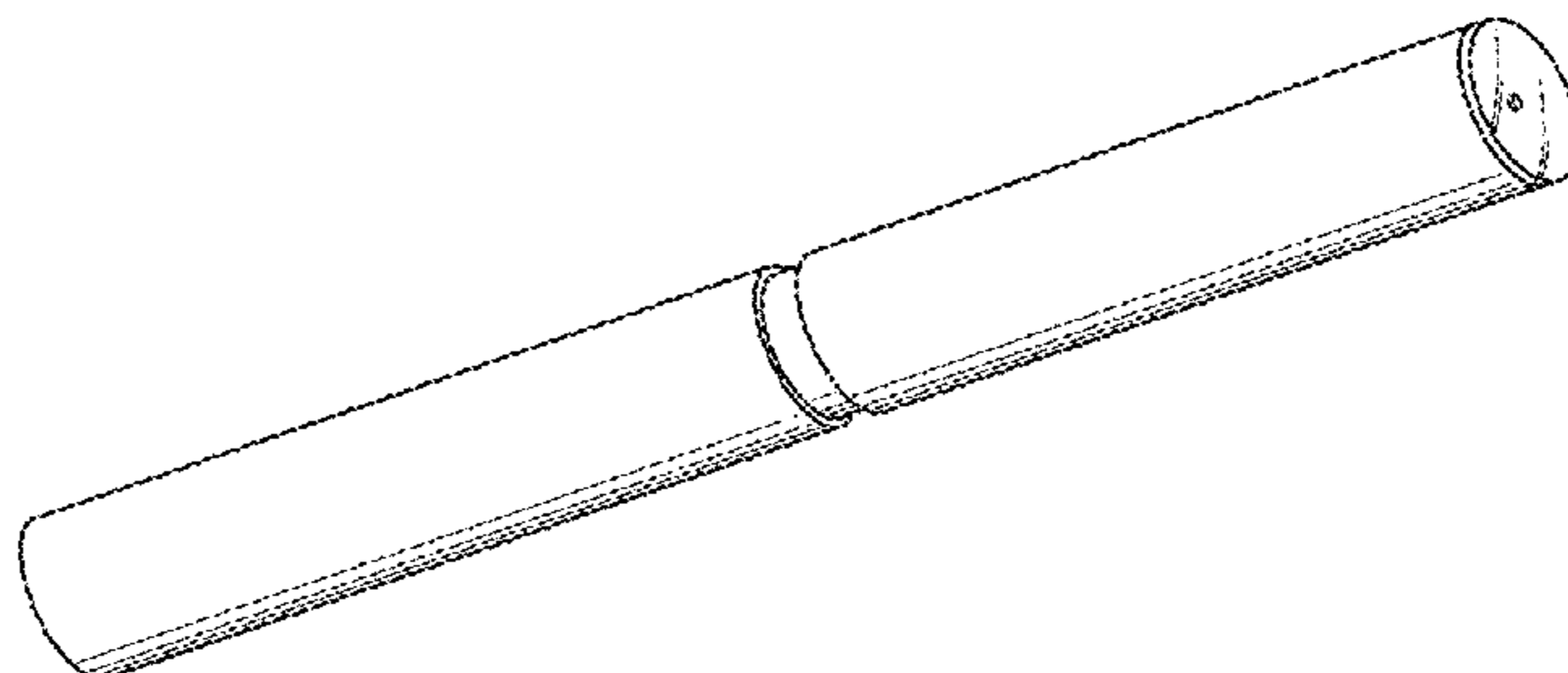
Primary Examiner — Rosemary K Tarcza
Assistant Examiner — Christy Nemeth
(74) *Attorney, Agent, or Firm* — Notaro, Michalos & Zaccaria P.C.

(57) **CLAIM**
The ornamental design for an electronic cigarette, as shown and described.

DESCRIPTION

FIG. 1 is a perspective view showing my new design therefor; FIG. 2 is a front view thereof, with the rear view being the same; FIG. 3 is a top view thereof; with the bottom view being the same; FIG. 4 is a right side view thereof; FIG. 5 is a left side view thereof; FIG. 6 is a perspective view thereof showing the electronic cigarette opened; FIG. 7 is a second perspective view thereof showing the electronic cigarette opened; FIG. 8 is a third perspective view thereof showing the electronic cigarette opened; FIG. 9 is a front view thereof showing the electronic cigarette opened, with the rear view being the same; FIG. 10 is a top view thereof showing the electronic cigarette opened, with the bottom view being the same; FIG. 11 is a right side view thereof with the electronic cigarette opened; and, FIG. 12 is a left side view thereof with the electronic cigarette opened.

1 Claim, 8 Drawing Sheets



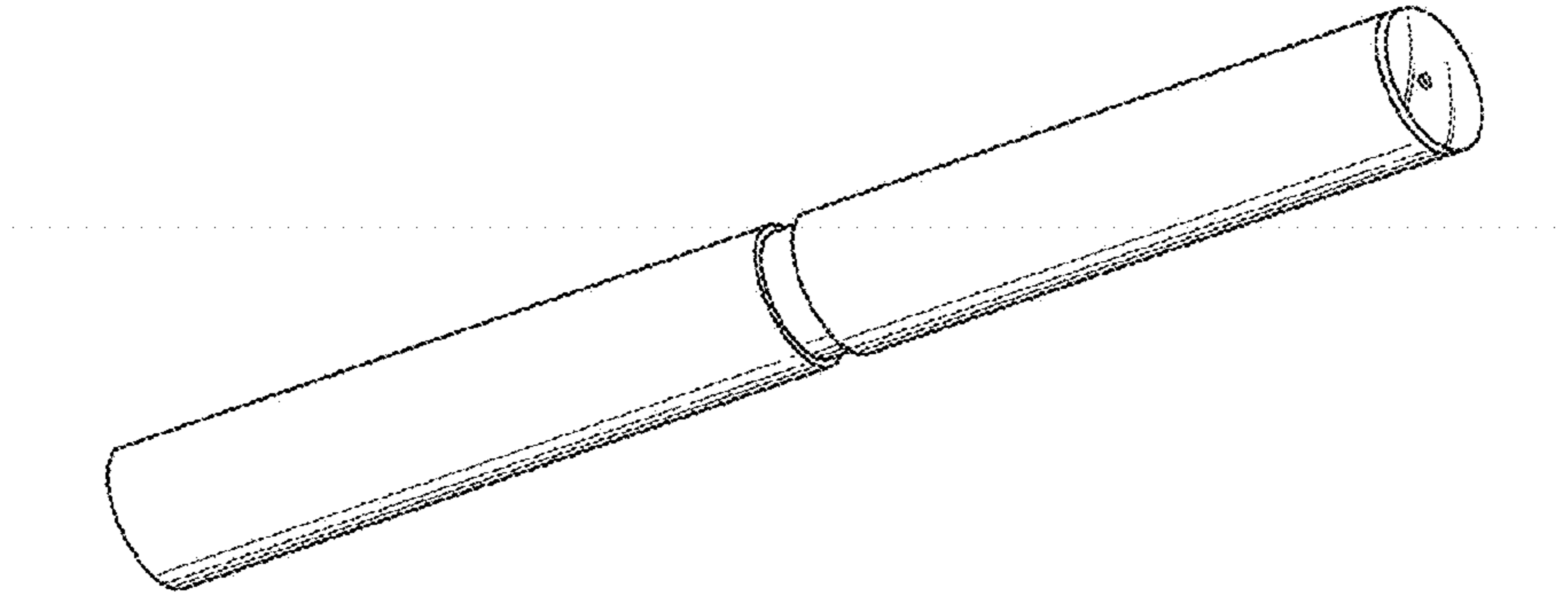


FIG. 1

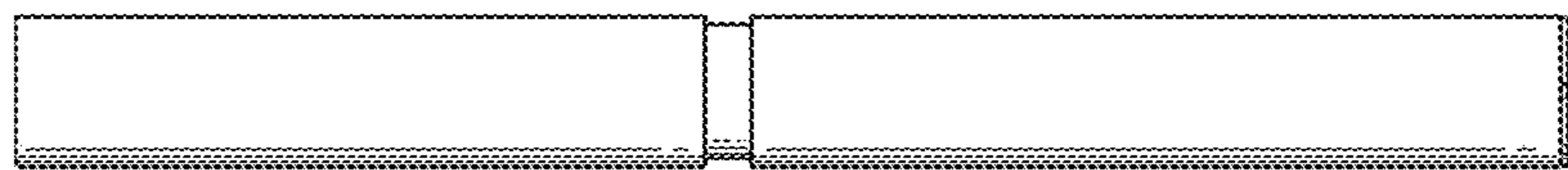


FIG. 2

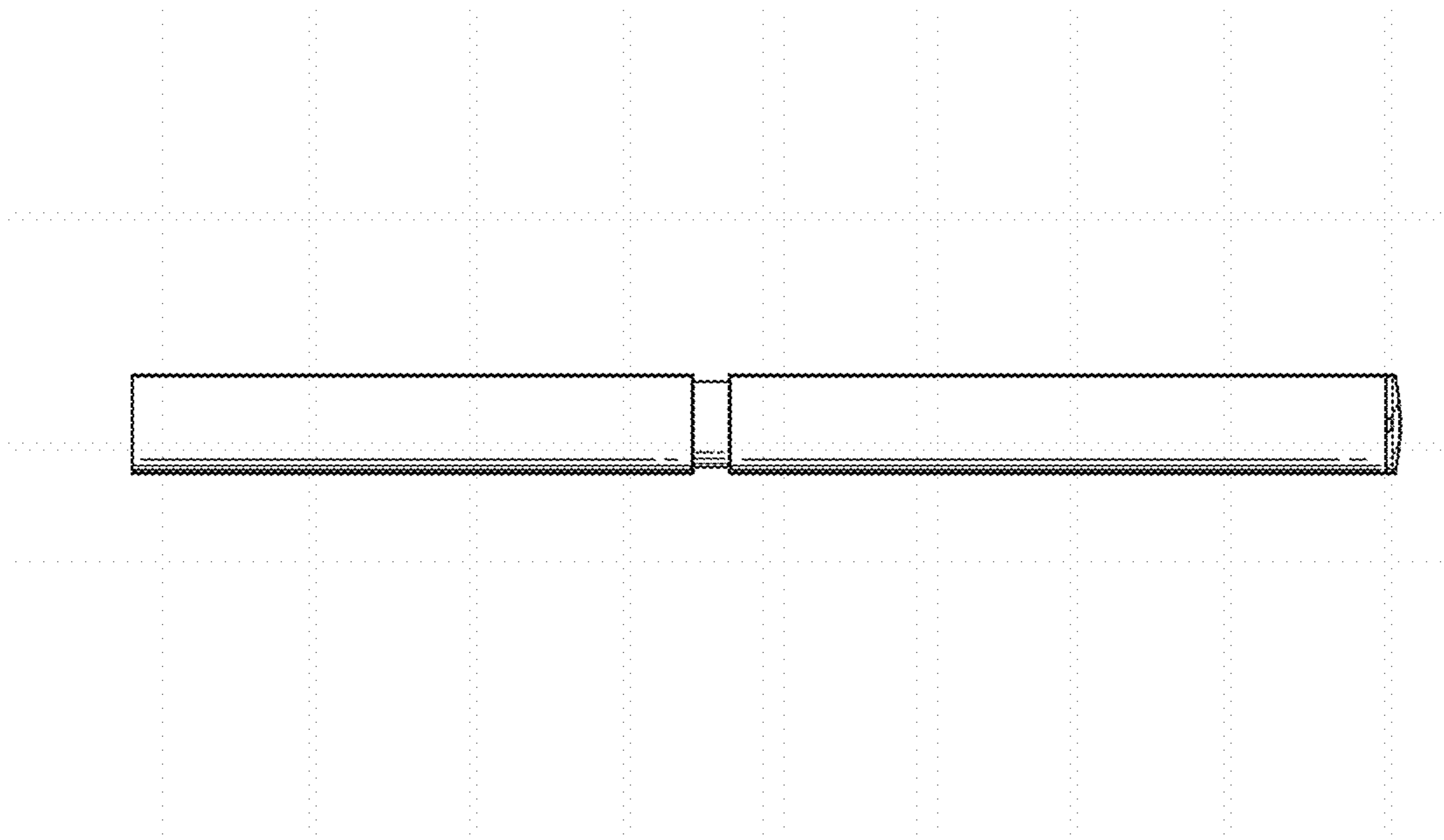


FIG. 3



FIG. 4

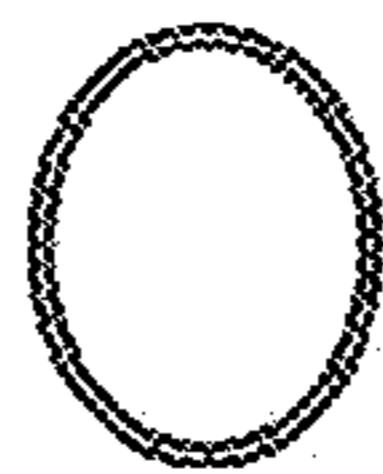


FIG. 5

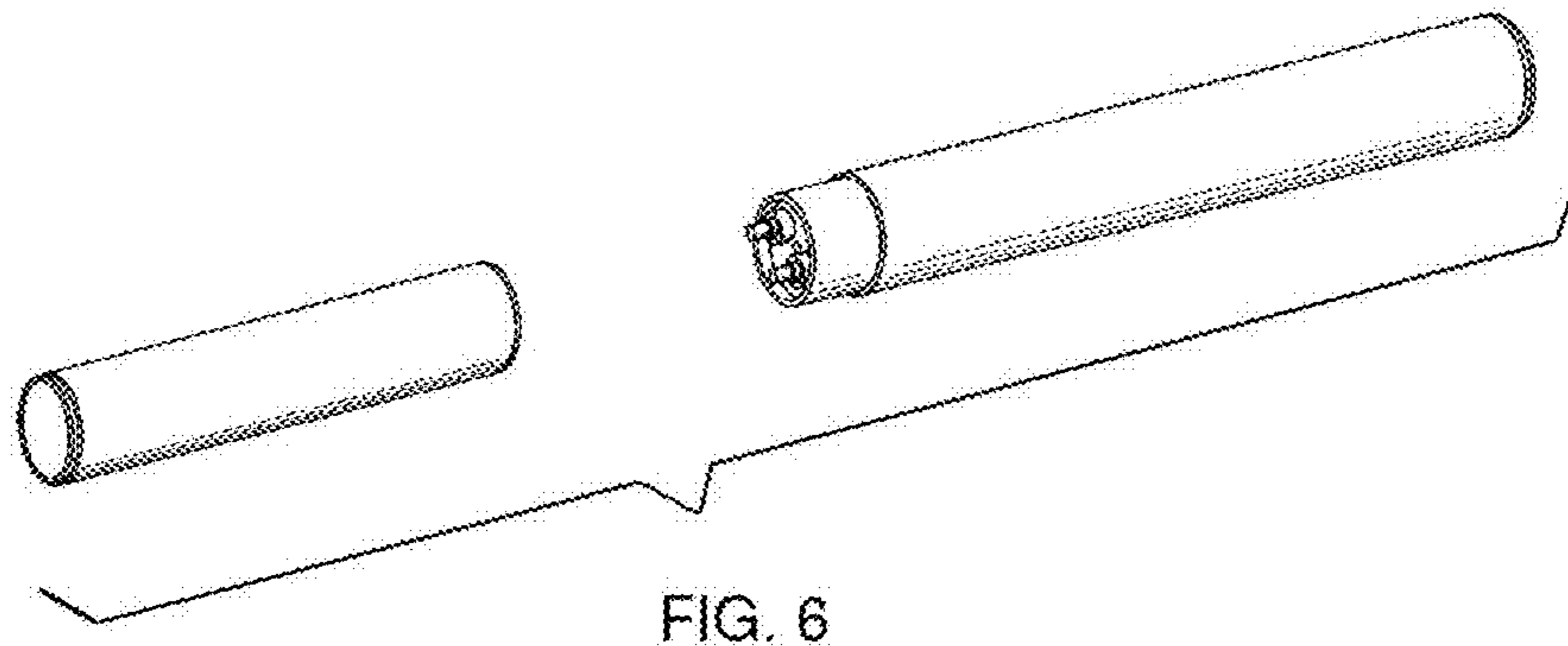


FIG. 6

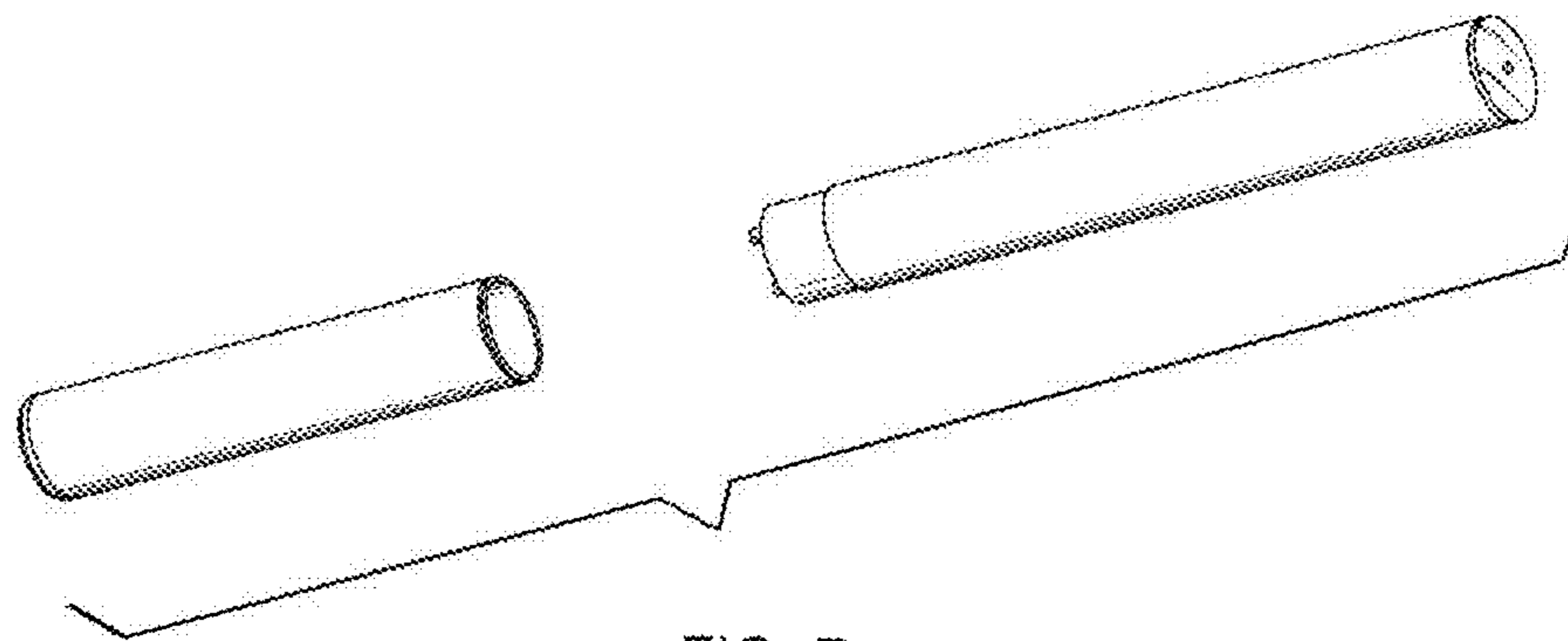
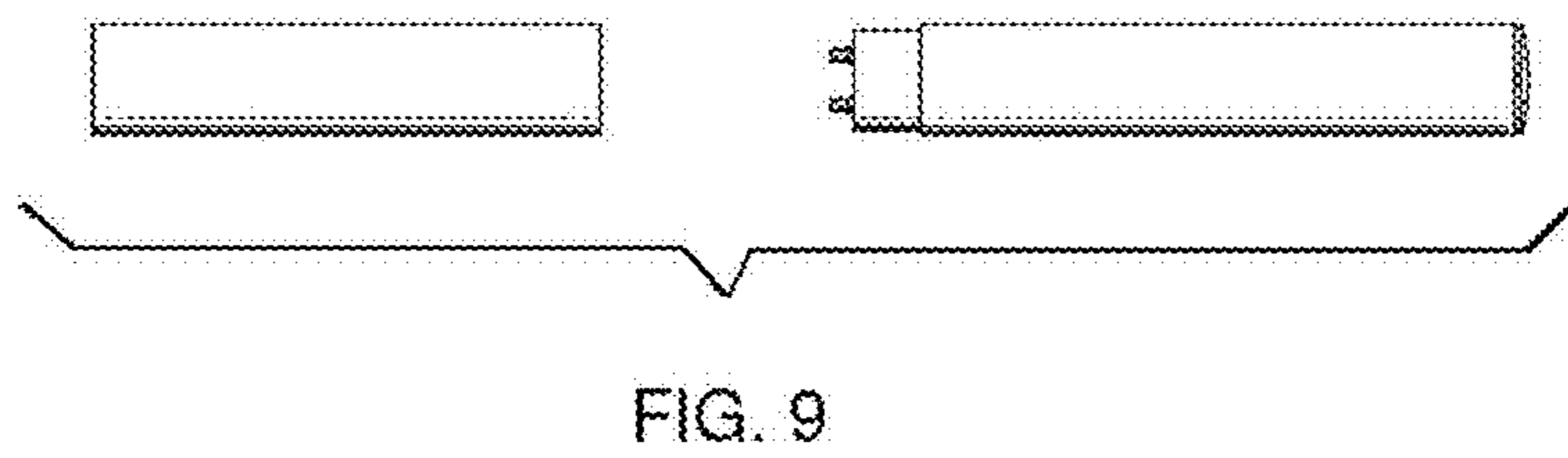
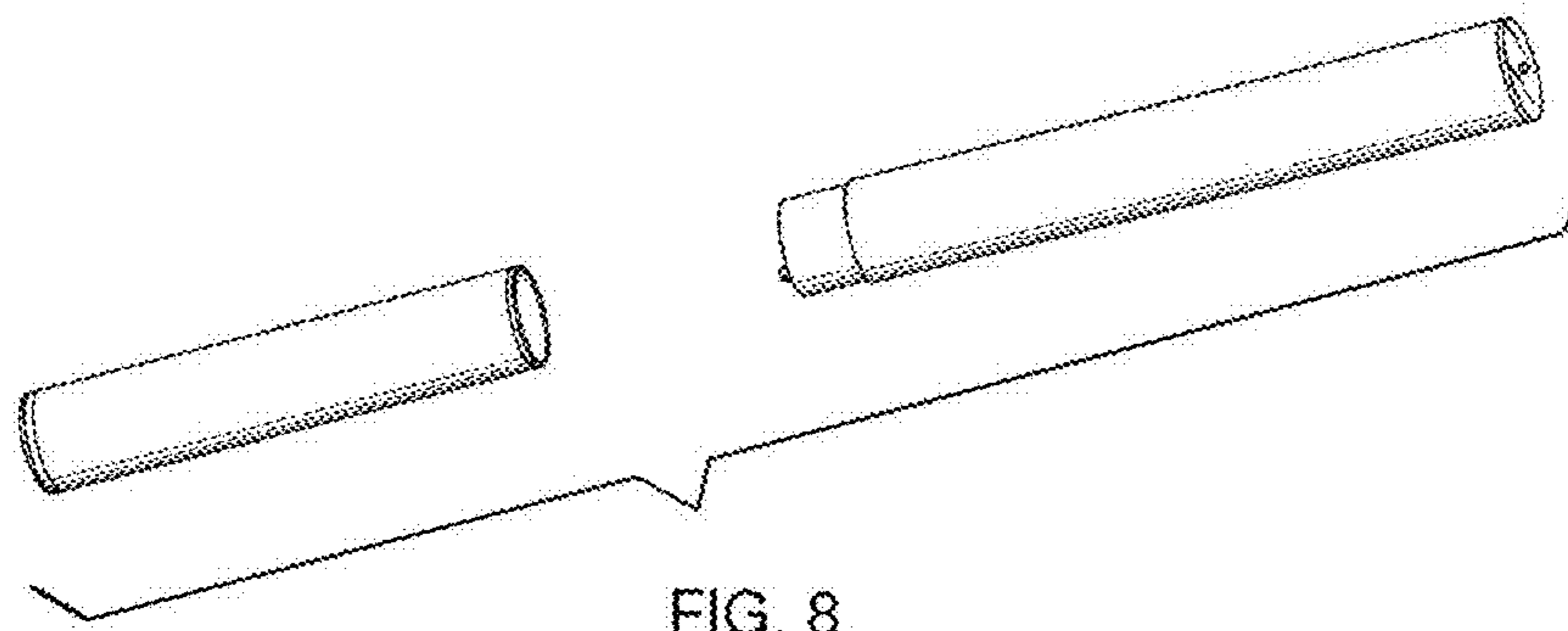


FIG. 7



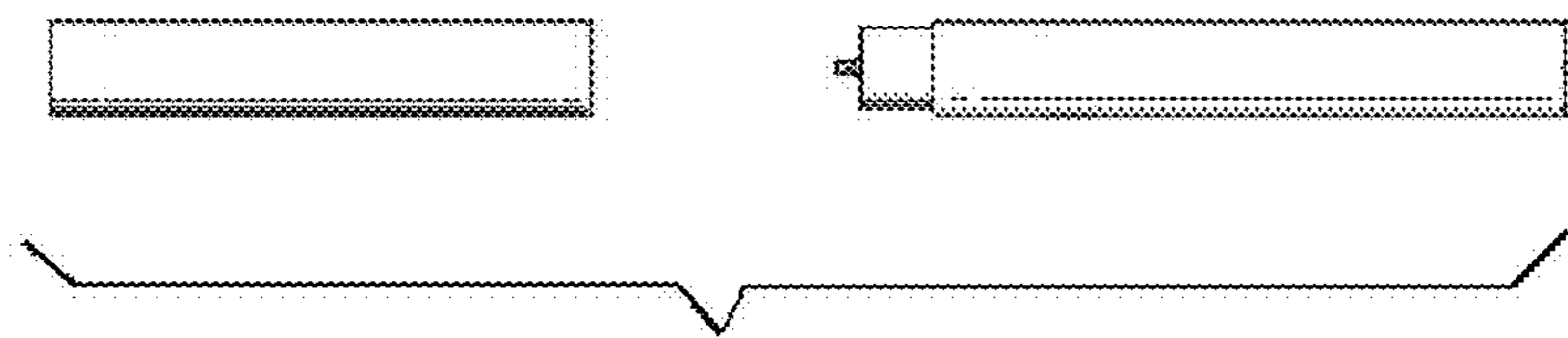


FIG. 10

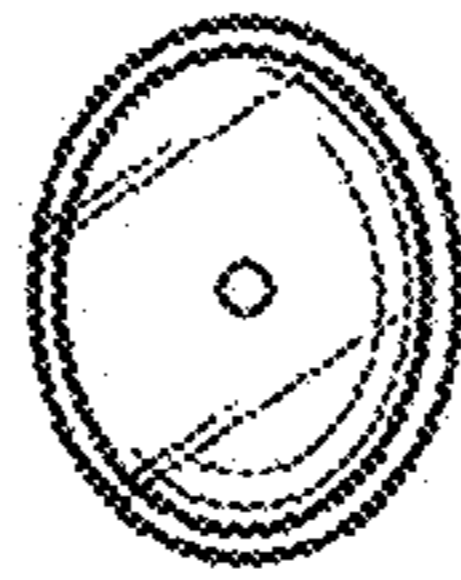


FIG. 11

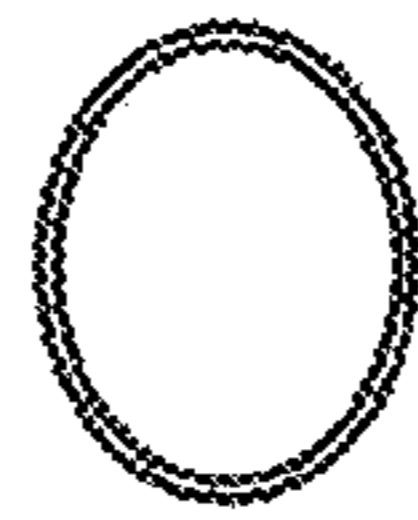


FIG. 12