



US00D750832S

(12) **United States Design Patent**
Lehman

(10) **Patent No.:** **US D750,832 S**
(45) **Date of Patent:** **** Mar. 1, 2016**

- (54) **TRIM FOR A RECESSED LUMINAIRE**
- (71) Applicant: **Gregg Lehman**, Peachtree City, GA (US)
- (72) Inventor: **Gregg Lehman**, Peachtree City, GA (US)
- (73) Assignee: **Cooper Technologies Company**, Houston, TX (US)
- (**) Term: **14 Years**
- (21) Appl. No.: **29/511,803**
- (22) Filed: **Dec. 15, 2014**
- (51) **LOC (10) Cl.** **26-99**
- (52) **U.S. Cl.**
USPC **D26/138; D26/120**
- (58) **Field of Classification Search**
USPC D10/18, 21, 24, 25, 27, 28, 46, 93, 104, D10/106, 113, 116.1, 121; D26/72, 113, D26/118, 120, 124, 138, 2, 89, 142, 122
CPC A63H 30/04; G05G 2009/04748; H04B 1/1027; F21S 8/04; F21S 2/005; F21S 2/00; F21S 8/00; B29D 21/04; F21V 15/015; F21V 27/00; F21V 21/14; F21V 21/005; F21V 7/005; F21Y 2103/00; F41C 27/00; F41C 33/0254; G02B 5/045; G02B 5/189; G02F 2001/133607
See application file for complete search history.

- (56) **References Cited**
U.S. PATENT DOCUMENTS
- | | | | | |
|--------------|---------|------------|-------|---------|
| D267,352 S * | 12/1982 | Suzuki | | D26/118 |
| D287,644 S * | 1/1987 | Gierke | | D26/44 |
| D293,722 S * | 1/1988 | Ewing | | D25/127 |
| D325,999 S * | 5/1992 | Sonneman | | D26/152 |
| D336,530 S * | 6/1993 | Choi | | D26/28 |
| D346,239 S * | 4/1994 | Vamberszky | | D26/118 |
| D349,360 S * | 8/1994 | Gonsior | | D10/108 |
| D367,940 S * | 3/1996 | Dolan | | D26/149 |
| D444,910 S * | 7/2001 | Lee | | D26/142 |
| D467,029 S * | 12/2002 | Okano | | D26/120 |

- 6,491,411 B2 * 12/2002 Itoh F21S 8/00 349/62
- D471,312 S * 3/2003 Homann D26/118
- 6,652,124 B2 * 11/2003 Schubert F21S 8/02 362/148
- D514,248 S * 1/2006 Rhee D26/138
- D537,549 S * 2/2007 Bleicher D26/24
- D562,494 S * 2/2008 Piepgras D26/123
- D571,038 S * 6/2008 Chan D26/152
- D571,039 S * 6/2008 Chan D26/152
- D574,994 S * 8/2008 Boyer D26/120
- D581,089 S * 11/2008 St-Hilaire D26/118
- 7,473,005 B2 * 1/2009 O'Brien F21S 8/02 362/147
- D599,951 S * 9/2009 Pickard D26/138

(Continued)

OTHER PUBLICATIONS

Square Shower Recessed Lighting Trim, image post date Oct. 18, 2014, site visited Oct. 30, 2015, (online), <<http://web.archive.org/web/20141018222431/http://www.Int.com/brands/18941/1/nora-lighting.html>>.*

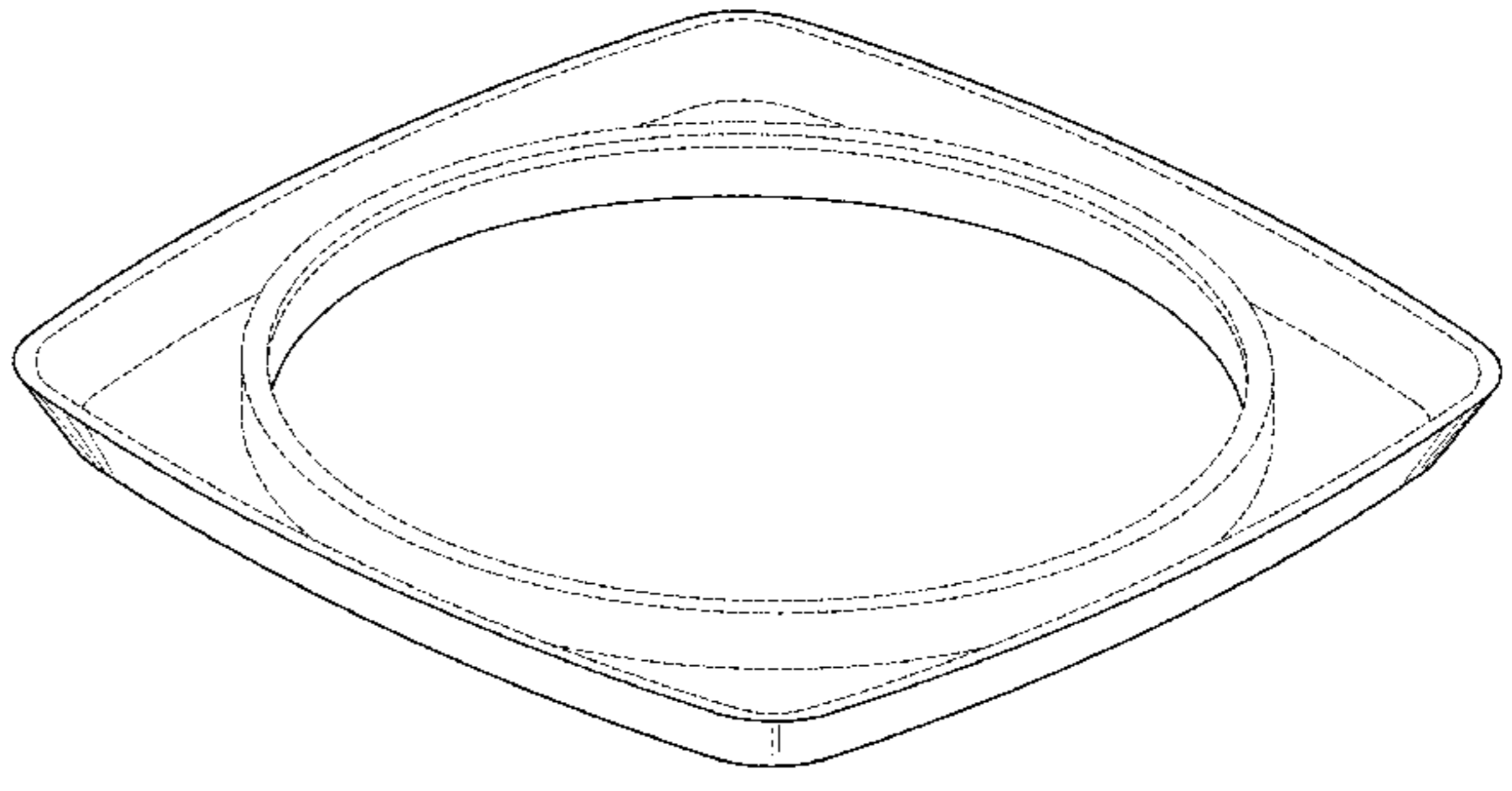
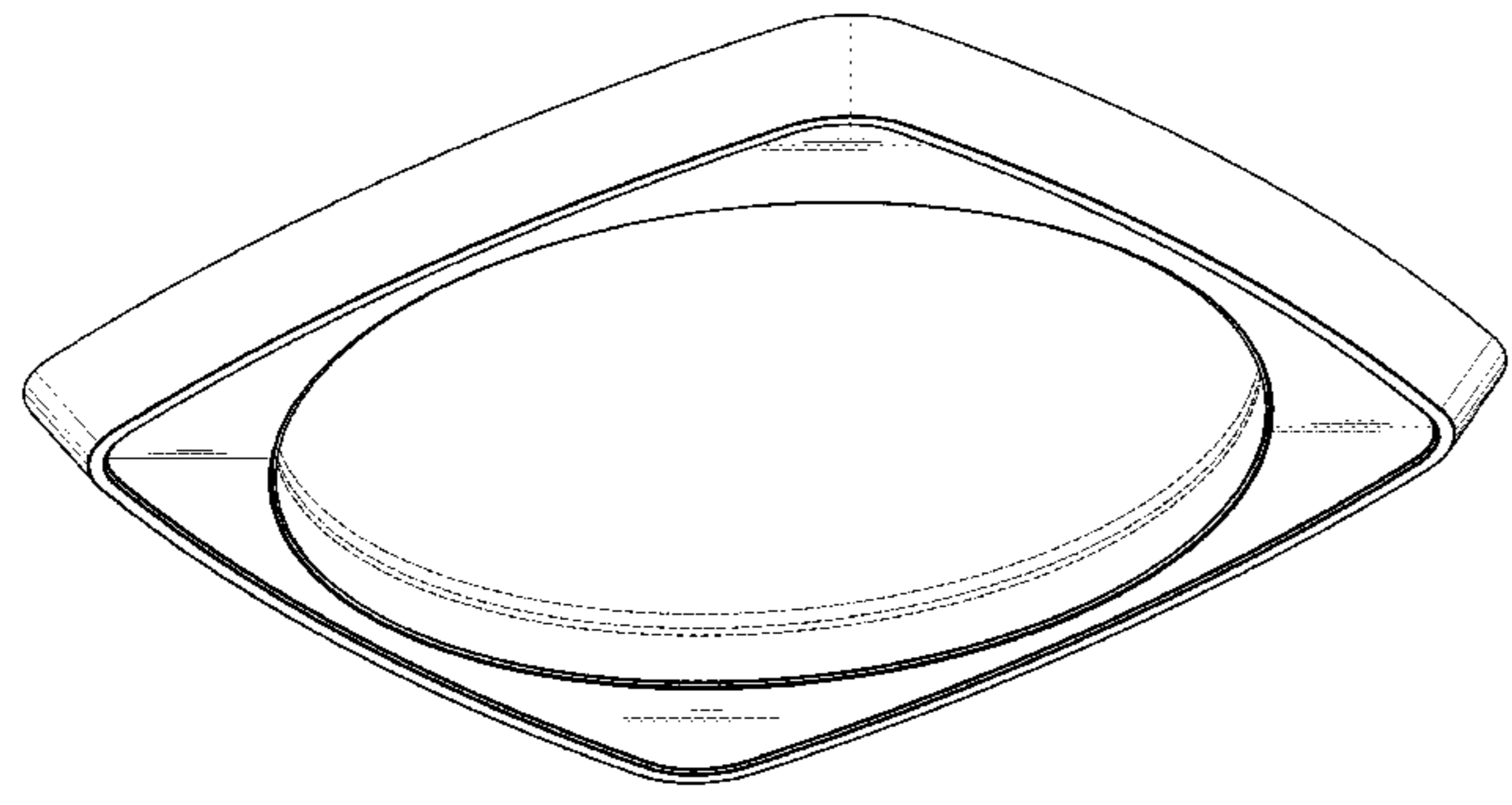
Primary Examiner — Kevin Rudzinski
Assistant Examiner — Sean D Lough
(74) *Attorney, Agent, or Firm* — King & Spalding LLP

(57) **CLAIM**
The ornamental design for the trim for a recessed luminaire, as shown and described.

DESCRIPTION

FIG. 1 is a bottom perspective view of a trim for a recessed luminaire, showing our new design; FIG. 2 is a top perspective view thereof; FIG. 3 is a bottom plan view thereof; FIG. 4 is a front-side elevation view thereof, the rear-side, right-side and left-side elevation views being the same as the front-side elevation view; and, FIG. 5 is a top plan view thereof. The broken lines (where present) in all FIGS. illustrate portions of the trim for a recessed luminaire that form no part of the claimed design.

1 Claim, 4 Drawing Sheets



(56)

References Cited

U.S. PATENT DOCUMENTS

D602,797 S * 10/2009 Marks D10/106.2
D603,997 S * 11/2009 Shiu D26/72
D604,445 S * 11/2009 Ko D26/60
D610,299 S * 2/2010 Ngai D26/120
D615,469 S * 5/2010 Huang D12/190
7,791,445 B2 * 9/2010 Manoukian H01F 5/003
29/602.1
D628,335 S * 11/2010 Hyland D26/74
D629,561 S * 12/2010 Kim D26/138
D632,007 S * 2/2011 Kim D26/120
7,924,137 B2 * 4/2011 Rahman H01H 85/044
337/158
D656,662 S * 3/2012 Lehman D26/118
8,215,799 B2 * 7/2012 Vanden Eynden F21V 15/01

362/218
D678,097 S * 3/2013 Elwell D10/106.6
D695,442 S * 12/2013 Speier D26/74
D710,051 S * 7/2014 Haws D26/142
8,800,193 B1 * 8/2014 Frear, Jr. F41A 35/00
42/108
D717,487 S * 11/2014 Guzzini D26/118
8,920,005 B2 * 12/2014 Ahn F21V 29/2293
362/249.02
8,939,418 B2 * 1/2015 Green F16M 13/022
248/200.1
9,022,621 B2 * 5/2015 Boyer F21V 21/14
362/362
D738,644 S * 9/2015 Reynolds D6/601
D739,590 S * 9/2015 Redfern D26/74
D742,056 S * 10/2015 Yang D26/134

* cited by examiner

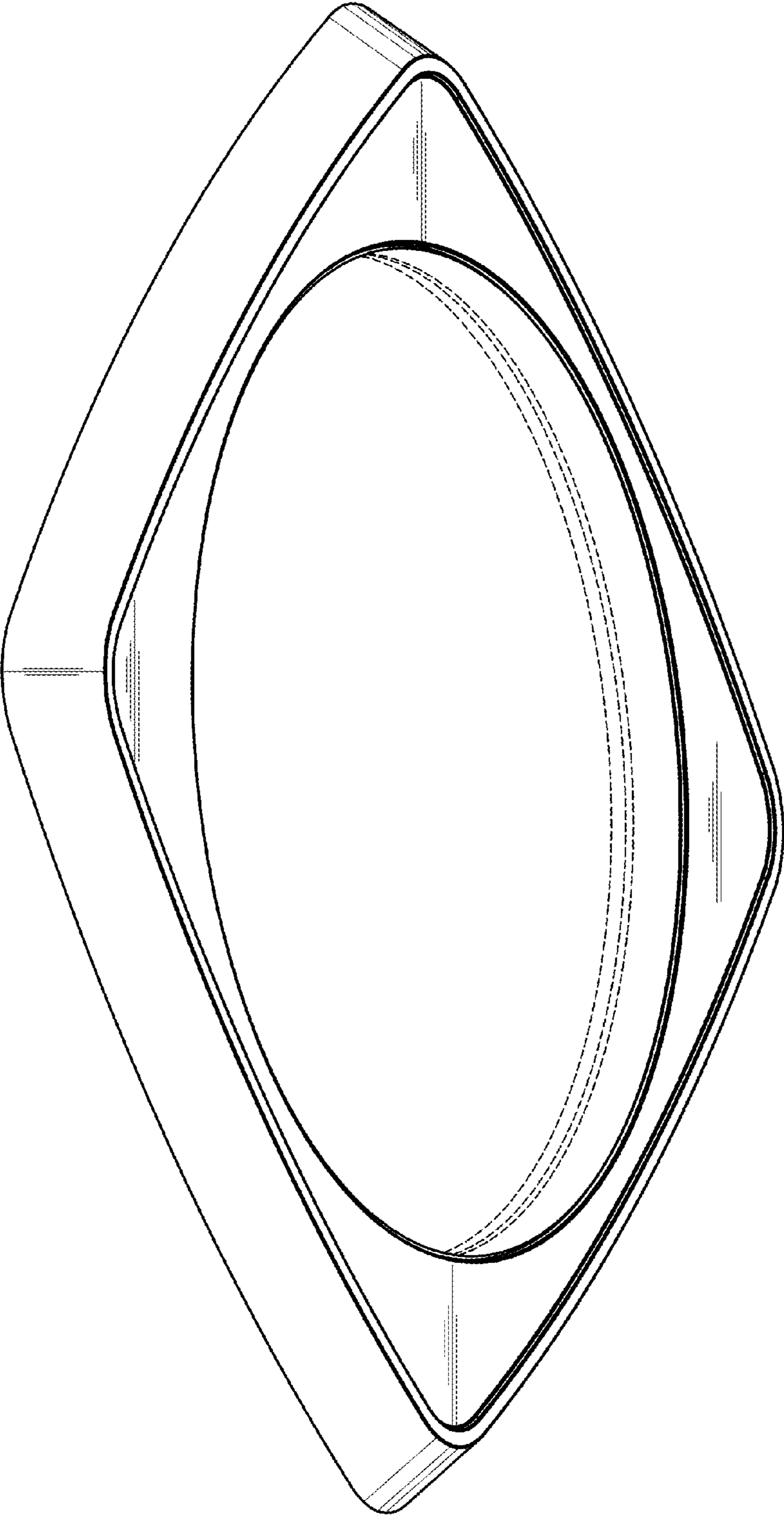


FIG. 1

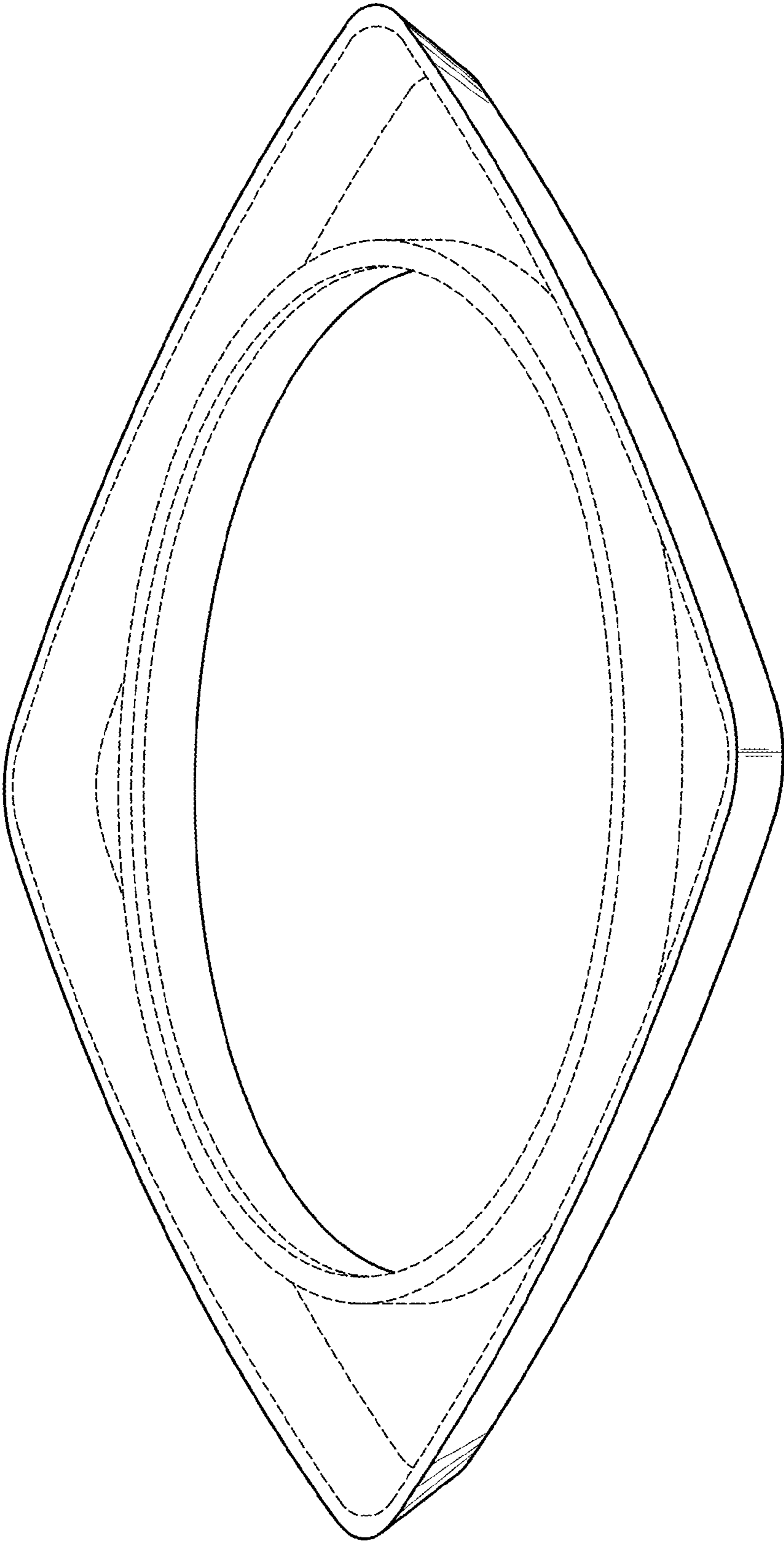


FIG. 2

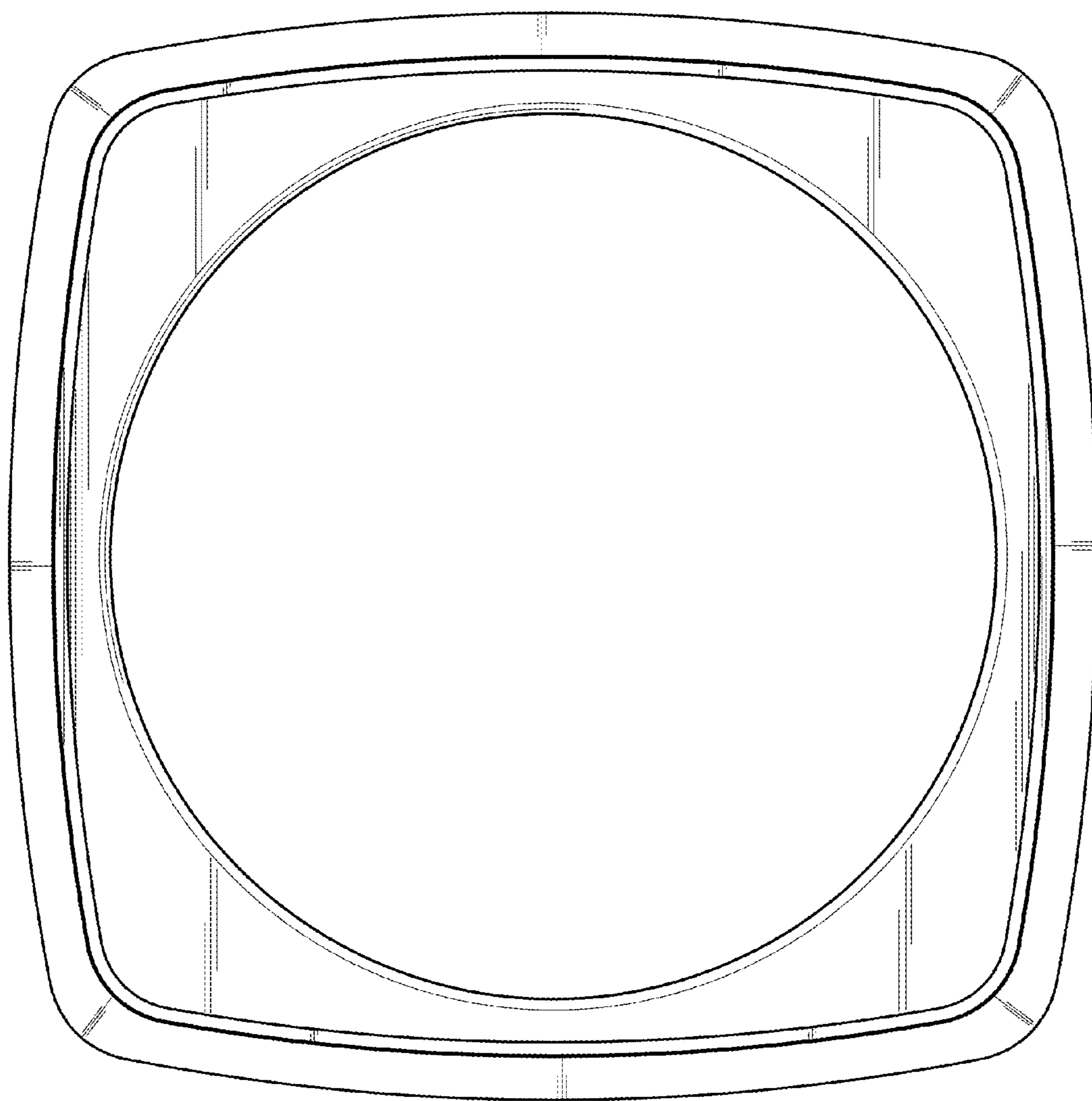


FIG. 3

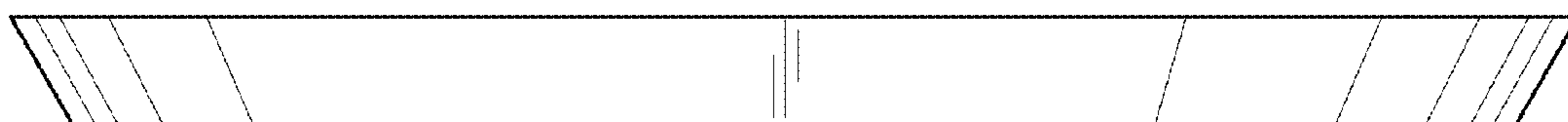


FIG. 4

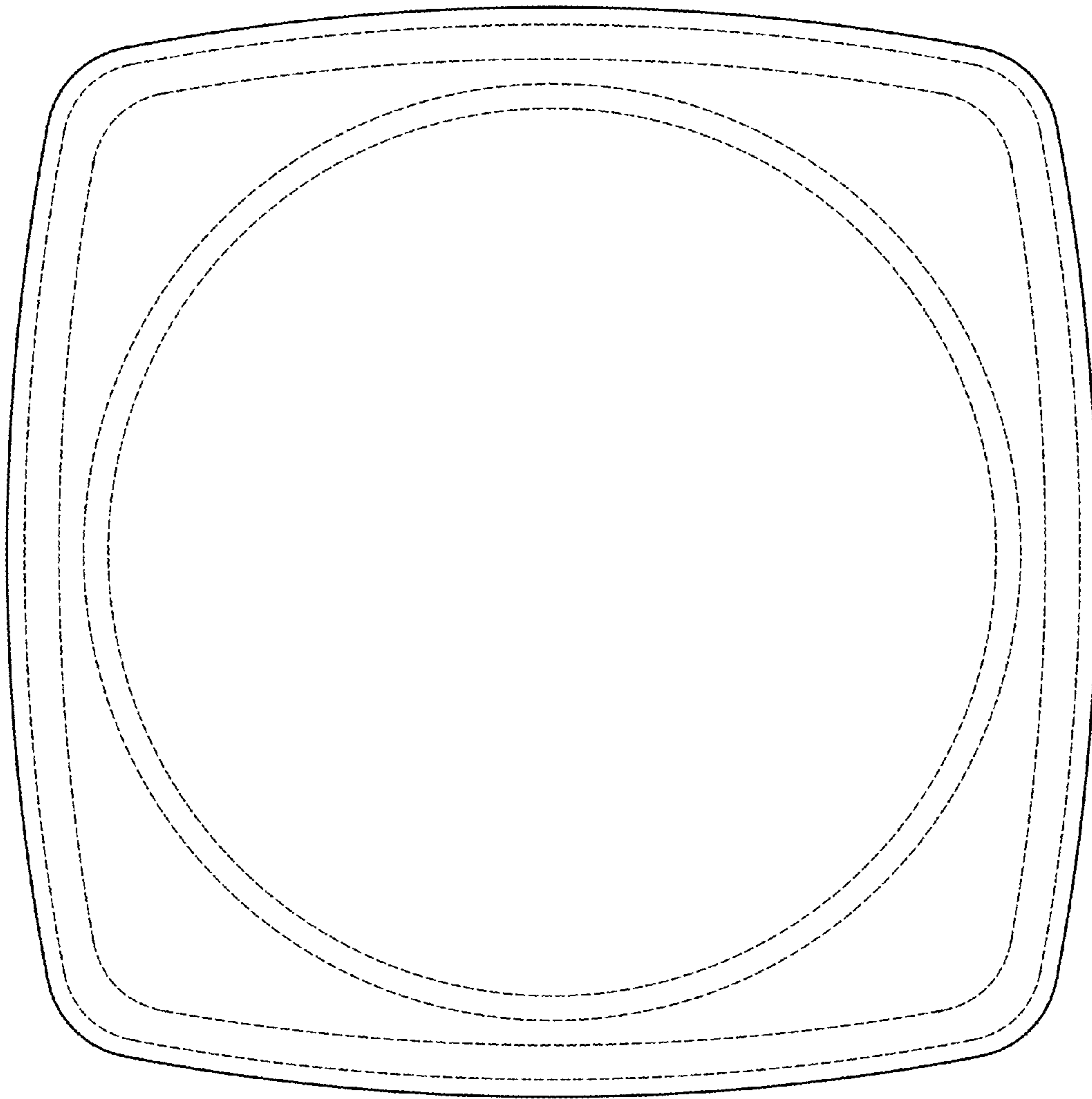


FIG. 5