

US00D750828S

(12) **United States Design Patent**
Quadri

(10) **Patent No.:** **US D750,828 S**

(45) **Date of Patent:** **** Mar. 1, 2016**

(54) **LIGHT PROJECTOR**

(71) Applicant: **CLAY PAKY S.p.A.**, Seriate (IT)

(72) Inventor: **Pasquale Quadri**, Torre De' Roveri (IT)

(73) Assignee: **CLAY PAKY S.P.A.**, Seriate (IT)

(**) Term: **14 Years**

(21) Appl. No.: **29/451,832**

(22) Filed: **Apr. 9, 2013**

(30) **Foreign Application Priority Data**

Oct. 16, 2012 (EM) 002119644

(51) **LOC (10) Cl.** **26-03**

(52) **U.S. Cl.**
USPC **D26/63**

(58) **Field of Classification Search**
USPC D26/1, 24, 61, 63, 65, 85, 92
CPC F21V 21/14; F21V 15/01; F21V 14/02;
F21V 21/30; F21V 21/00; F21V 14/00;
F21S 8/00; F21S 8/003; F21S 8/043; F21Y
2105/001
See application file for complete search history.

(56) **References Cited**

U.S. PATENT DOCUMENTS

D372,550 S * 8/1996 Stultz D26/63
D382,661 S * 8/1997 Wong D26/63

D439,356 S * 3/2001 Martinson et al. D26/63
D618,377 S * 6/2010 Toft D26/93
D620,187 S * 7/2010 Quadri D26/63
D639,983 S * 6/2011 Quadri D26/24
D694,450 S * 11/2013 Valeri et al. D26/63
D699,878 S * 2/2014 Quadri D26/63
D700,385 S * 2/2014 Quadri D26/63

* cited by examiner

Primary Examiner — Brian N Vinson

(74) *Attorney, Agent, or Firm* — Leason Ellis LLP

(57) **CLAIM**

The ornamental design for a light projector, as shown and described.

DESCRIPTION

FIG. 1 is a front elevational view of a light projector showing my new design;
FIG. 2 is a left side elevational view thereof;
FIG. 3 is a top plan view thereof;
FIG. 4 is rear elevational view thereof;
FIG. 5 is a bottom plan view thereof;
FIG. 6 is a front and side perspective view thereof; and,
FIG. 7 is a front and side perspective view thereof, showing the light projector in a second operative position wherein the telescopic lens hood is visible.
The broken line disclosure represents portions of the projector which form no part of the claimed design.

1 Claim, 7 Drawing Sheets

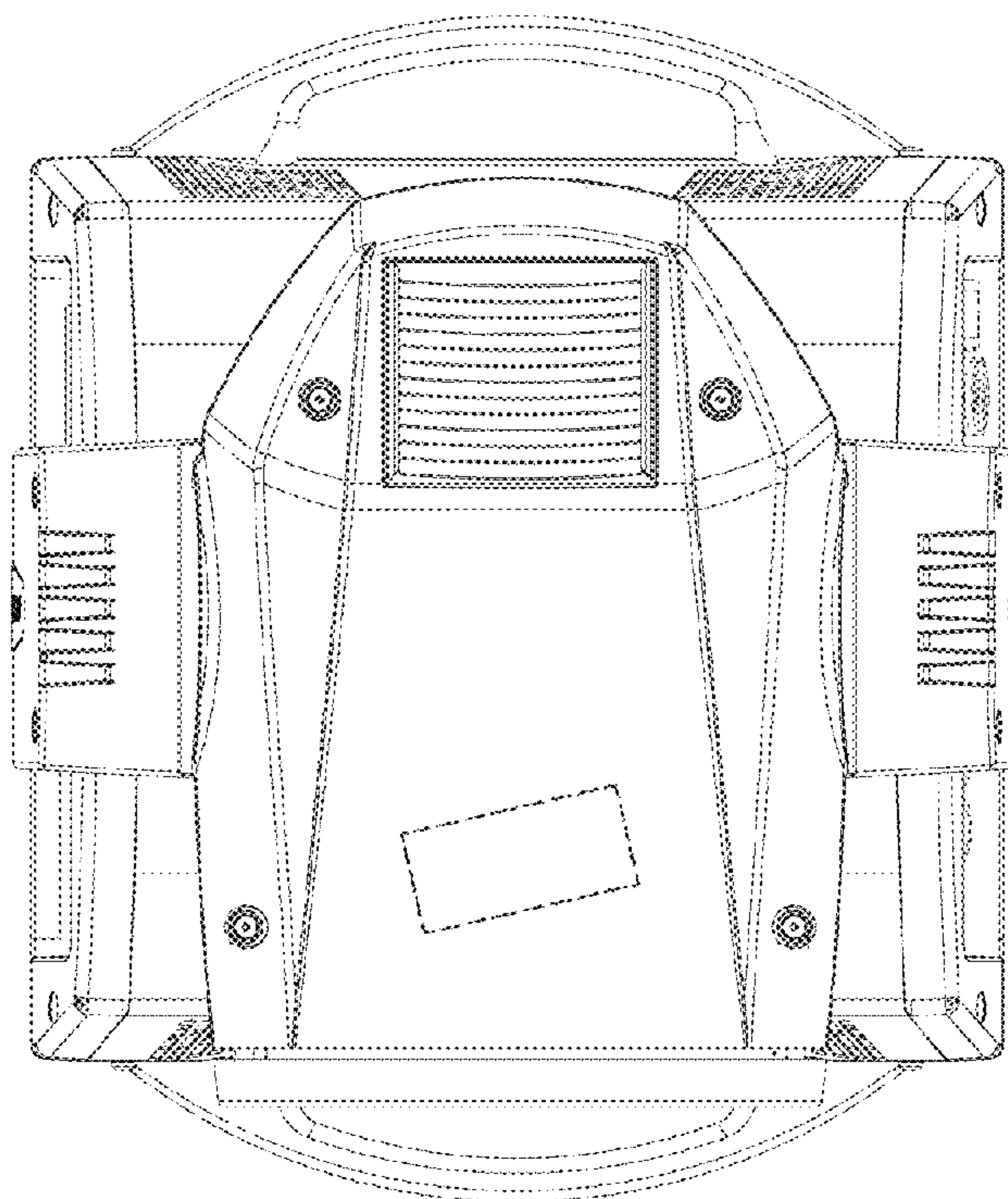


FIG. 1

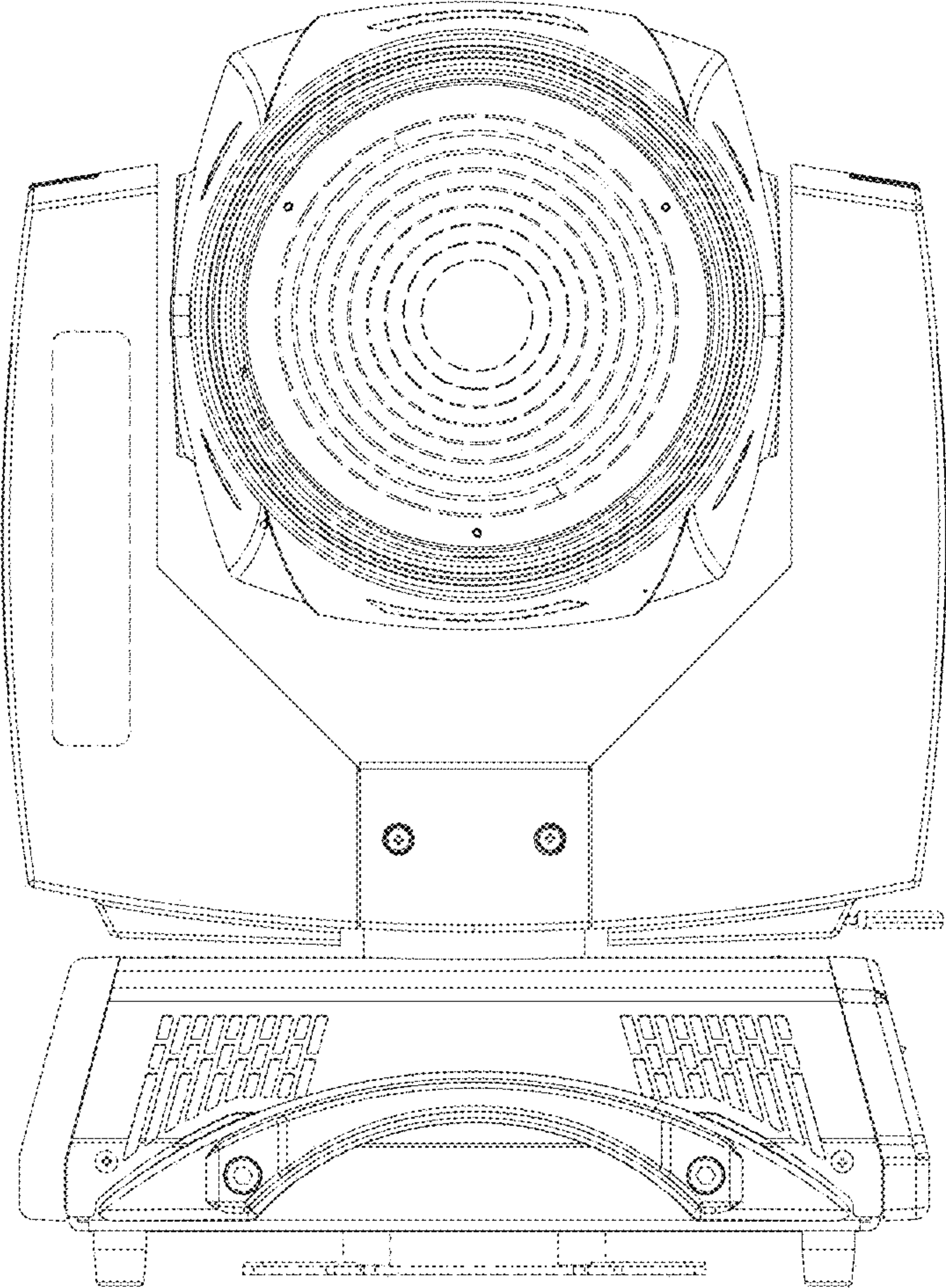


FIG. 2

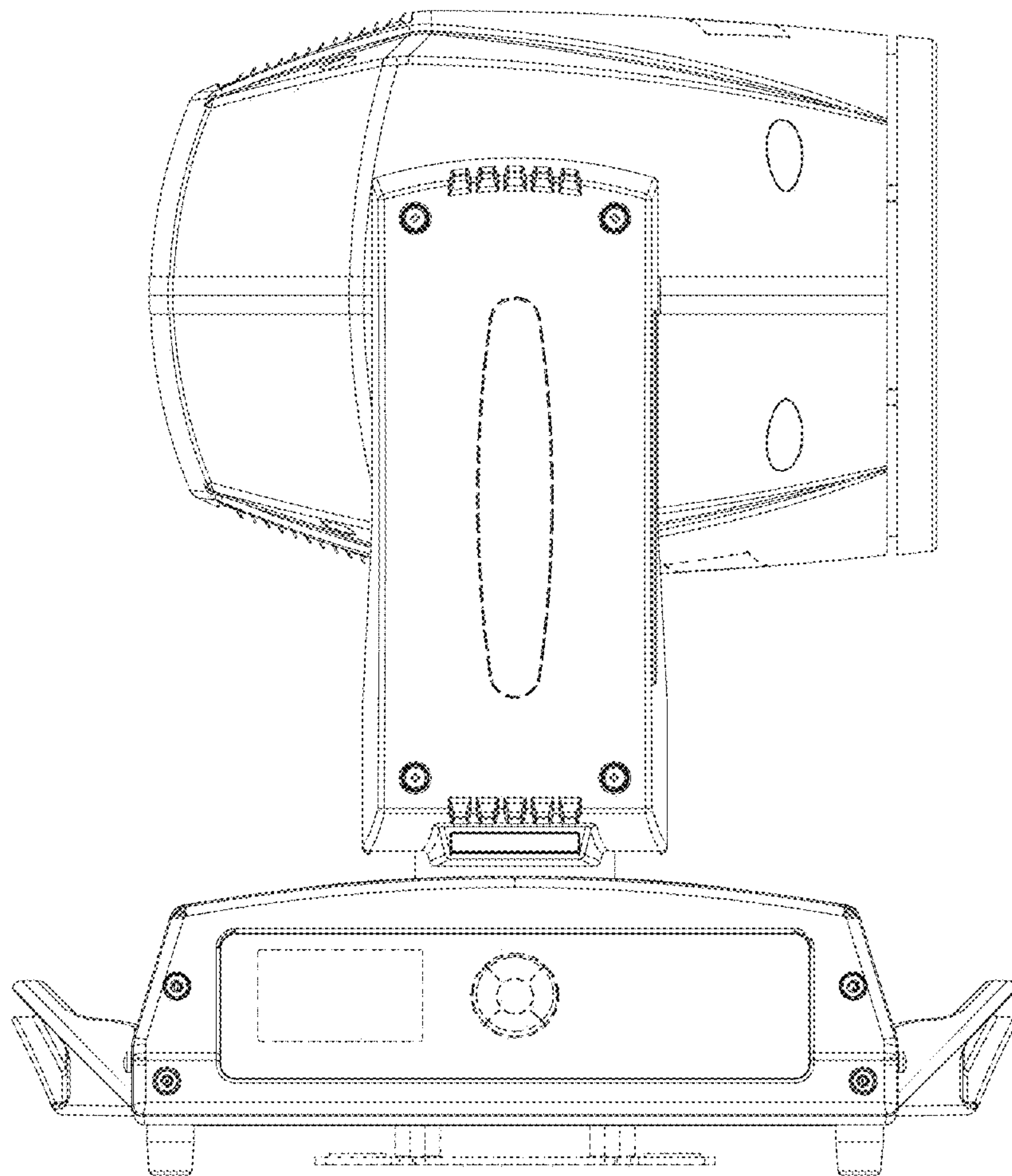


FIG. 3

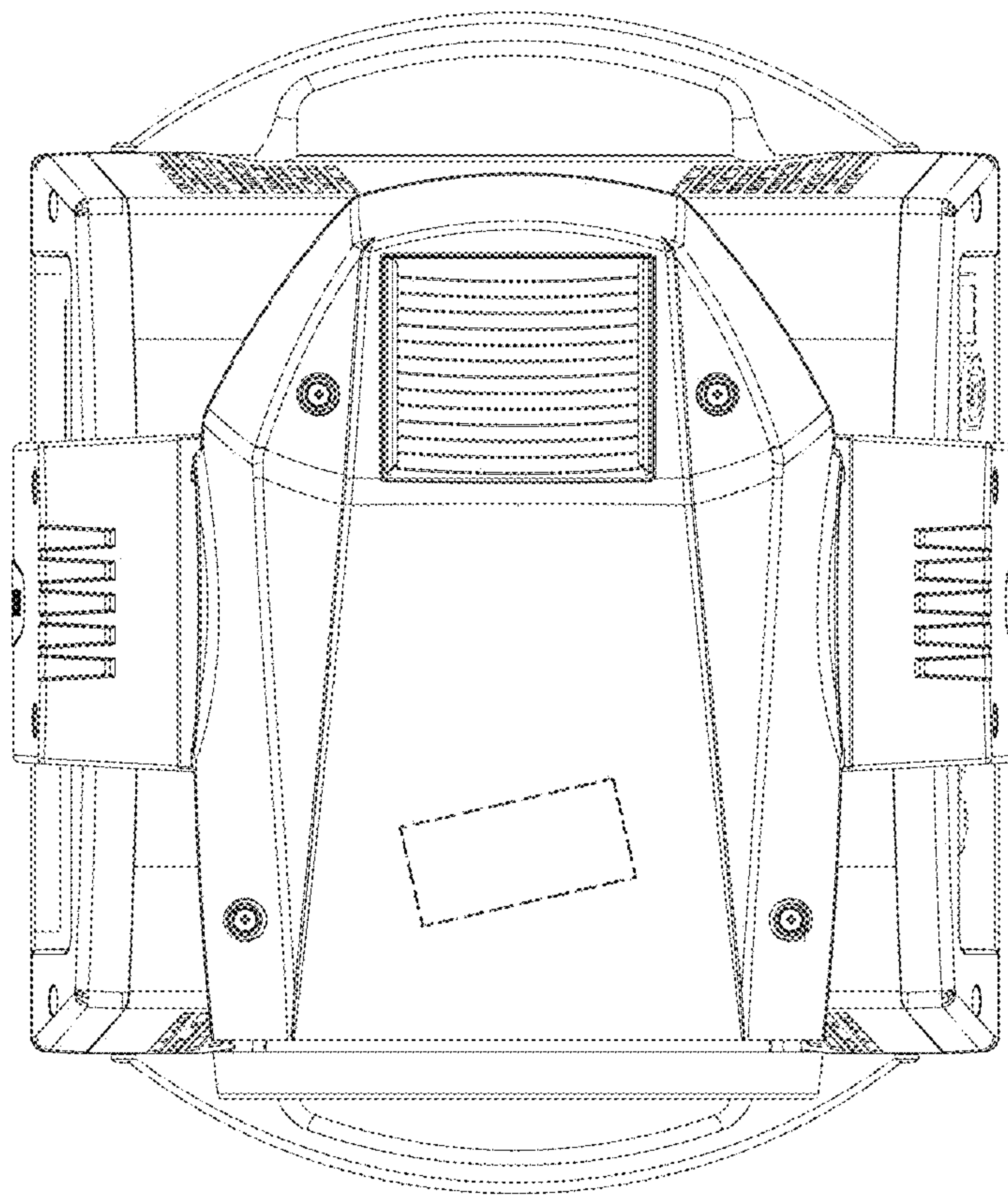


FIG. 4

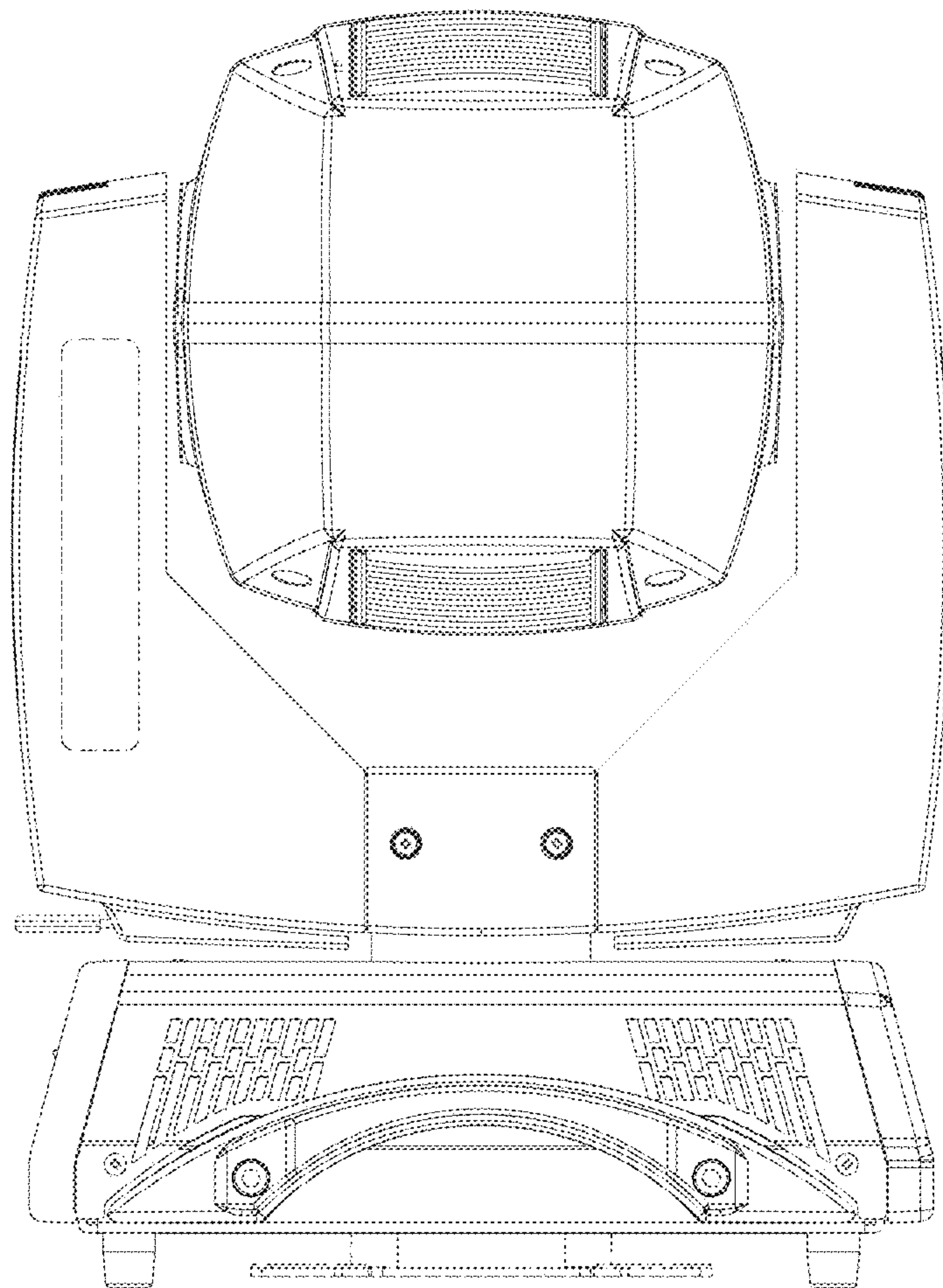


FIG. 5

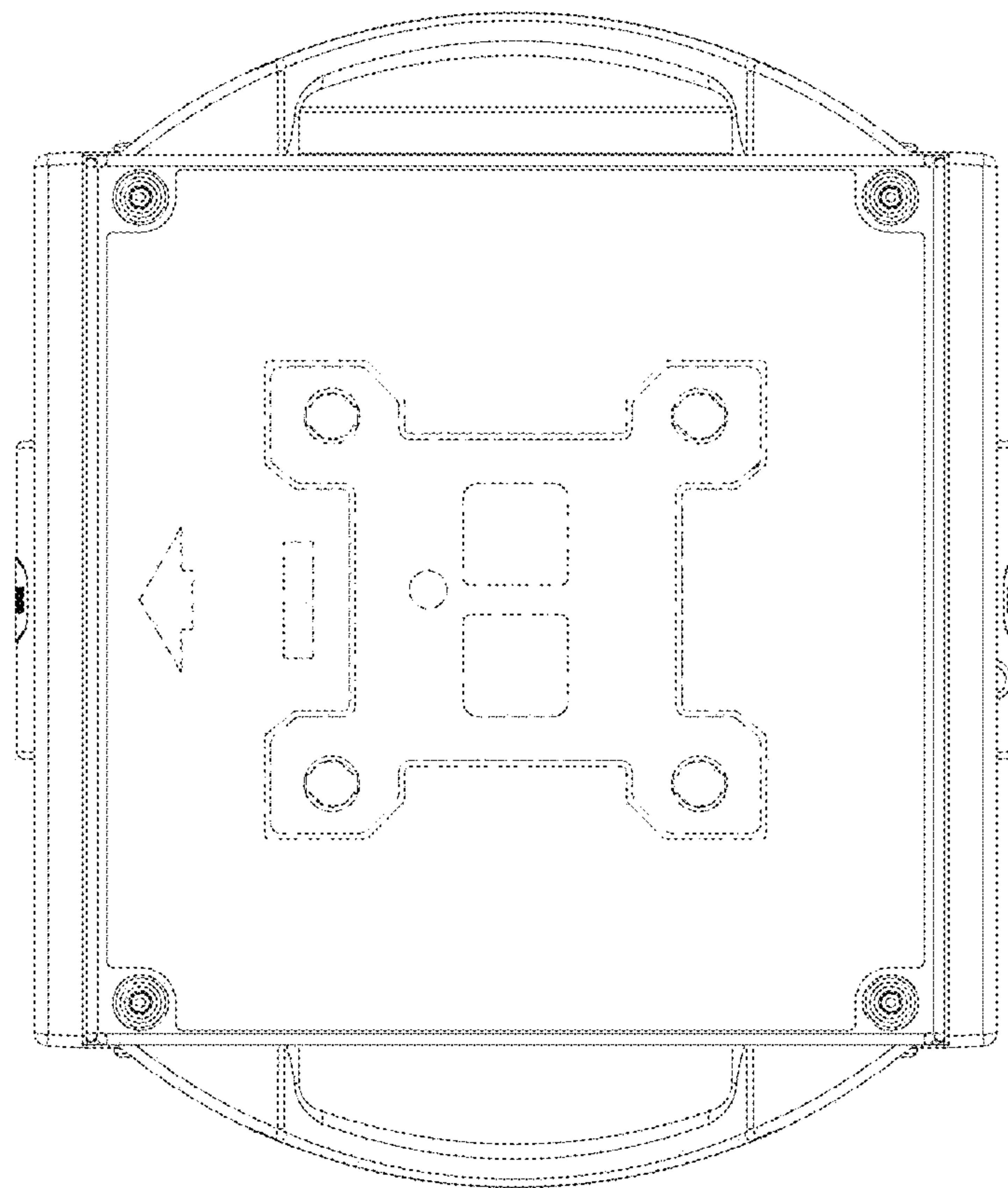


FIG. 6

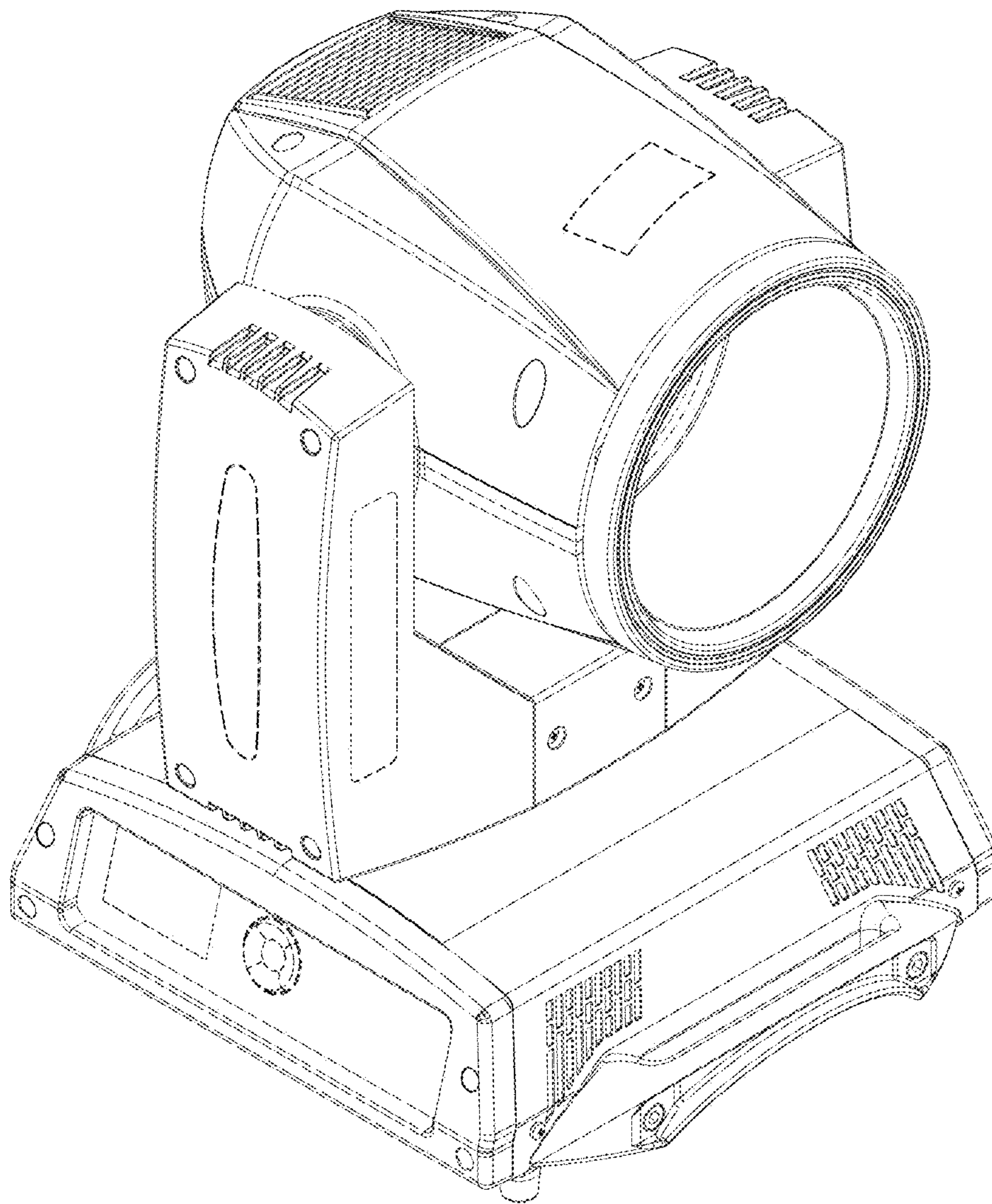


FIG. 7

