



US00D750827S

(12) **United States Design Patent**  
**Jonischkeit et al.**

(10) **Patent No.:** **US D750,827 S**  
(45) **Date of Patent:** **\*\* Mar. 1, 2016**

(54) **SPOTLIGHT**

(71) Applicant: **Arnold & Richter Cine Technik GmbH  
& Co Betriebs KG, Munich (DE)**

(72) Inventors: **Michael Jonischkeit, Alxing (DE);  
Peter Staudacher, Riedering (DE);  
Michael Kaltenecker, Munich (DE)**

(73) Assignee: **Arnold & Richter Cine Technik GmbH  
& Co. Betriebs KG, Munich (DE)**

(\*\*) Term: **14 Years**

(21) Appl. No.: **29/447,792**

(22) Filed: **Mar. 6, 2013**

(30) **Foreign Application Priority Data**

Sep. 6, 2012 (DE) ..... 40 2012 100 706

(51) **LOC (10) Cl.** ..... **26-03**

(52) **U.S. Cl.**  
USPC ..... **D26/61**

(58) **Field of Classification Search**  
USPC ..... D26/1, 24, 61, 63, 118  
CPC ..... F21V 21/14; F21V 15/01; F21V 14/02;  
F21V 21/30; F21V 14/00; F21S 8/00; F21Y  
2105/001

See application file for complete search history.

(56) **References Cited**

U.S. PATENT DOCUMENTS

D257,890 S *	1/1981	Aron .....	D26/63
D260,300 S *	8/1981	Aron .....	D26/63
D271,043 S *	10/1983	Parker .....	D26/63
D279,928 S *	7/1985	McNabb et al. ....	D26/63
D327,955 S *	7/1992	Hart .....	D26/63
D328,148 S *	7/1992	Waldmann .....	D26/63
D505,220 S *	5/2005	Stekelenburg .....	D26/61
D563,035 S *	2/2008	Schlegel et al. ....	D26/118
D613,440 S *	4/2010	Lindholm .....	D26/63
D699,382 S *	2/2014	Moller et al. ....	D26/63

\* cited by examiner

*Primary Examiner* — Brian N Vinson

(74) *Attorney, Agent, or Firm* — Lewis Roca Rothgerber  
Christie LLP

(57) **CLAIM**

The ornamental design for a spotlight, as shown and  
described.

**DESCRIPTION**

FIG. 1 is a perspective front elevation view of the spotlight  
from the right side;  
FIG. 2 is a right side view thereof;  
FIG. 3 is a front view thereof;  
FIG. 4 is a bottom view thereof;  
FIG. 5 is a perspective back elevation view of the spotlight  
from the right side thereof;  
FIG. 6 is a top view thereof;  
FIG. 7 is a left side view thereof; and,  
FIG. 8 is a back view thereof.

The broken line disclosure represents portions of the spotlight  
which form no part of the claimed design.

**1 Claim, 8 Drawing Sheets**

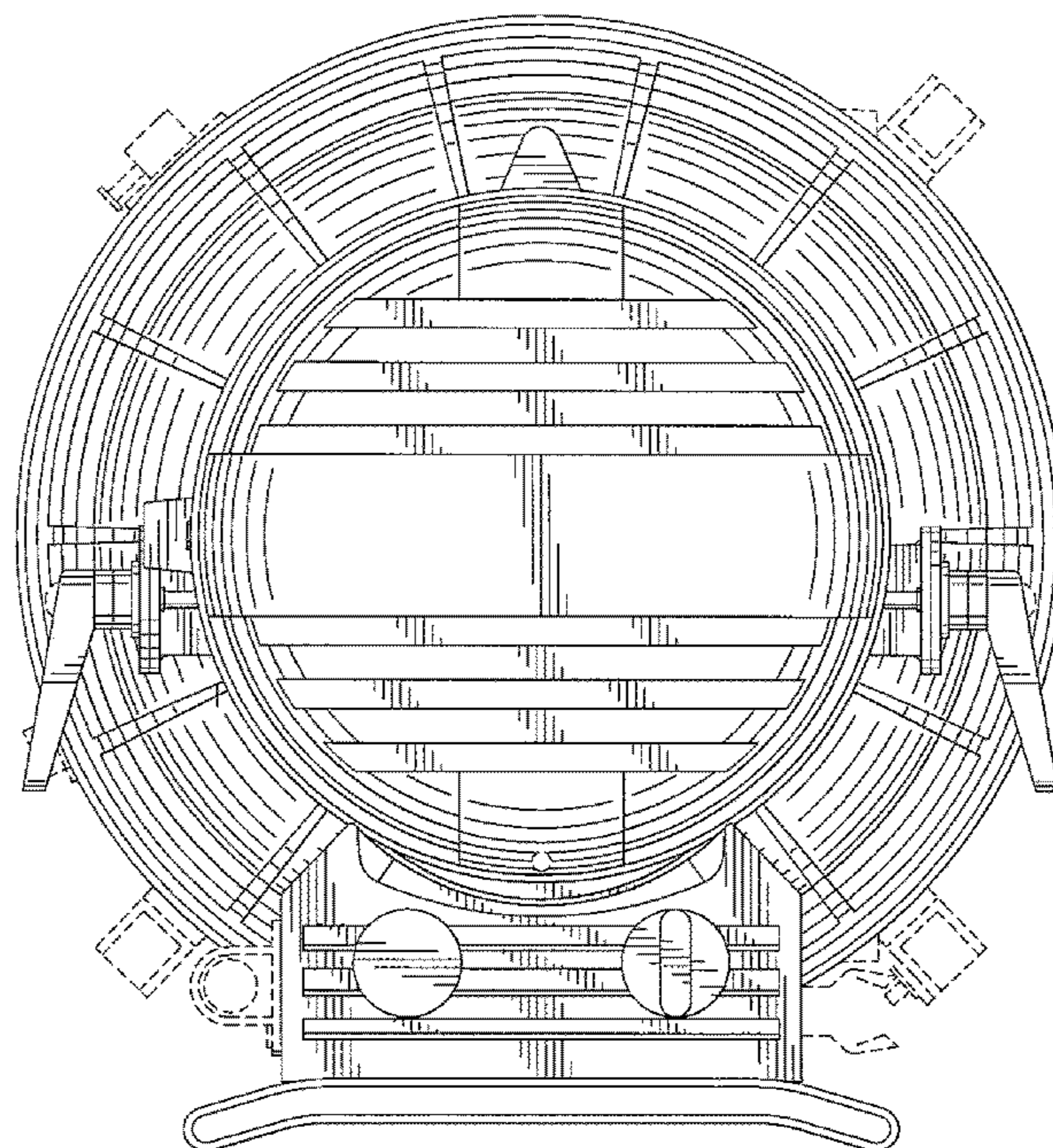


FIG. 1

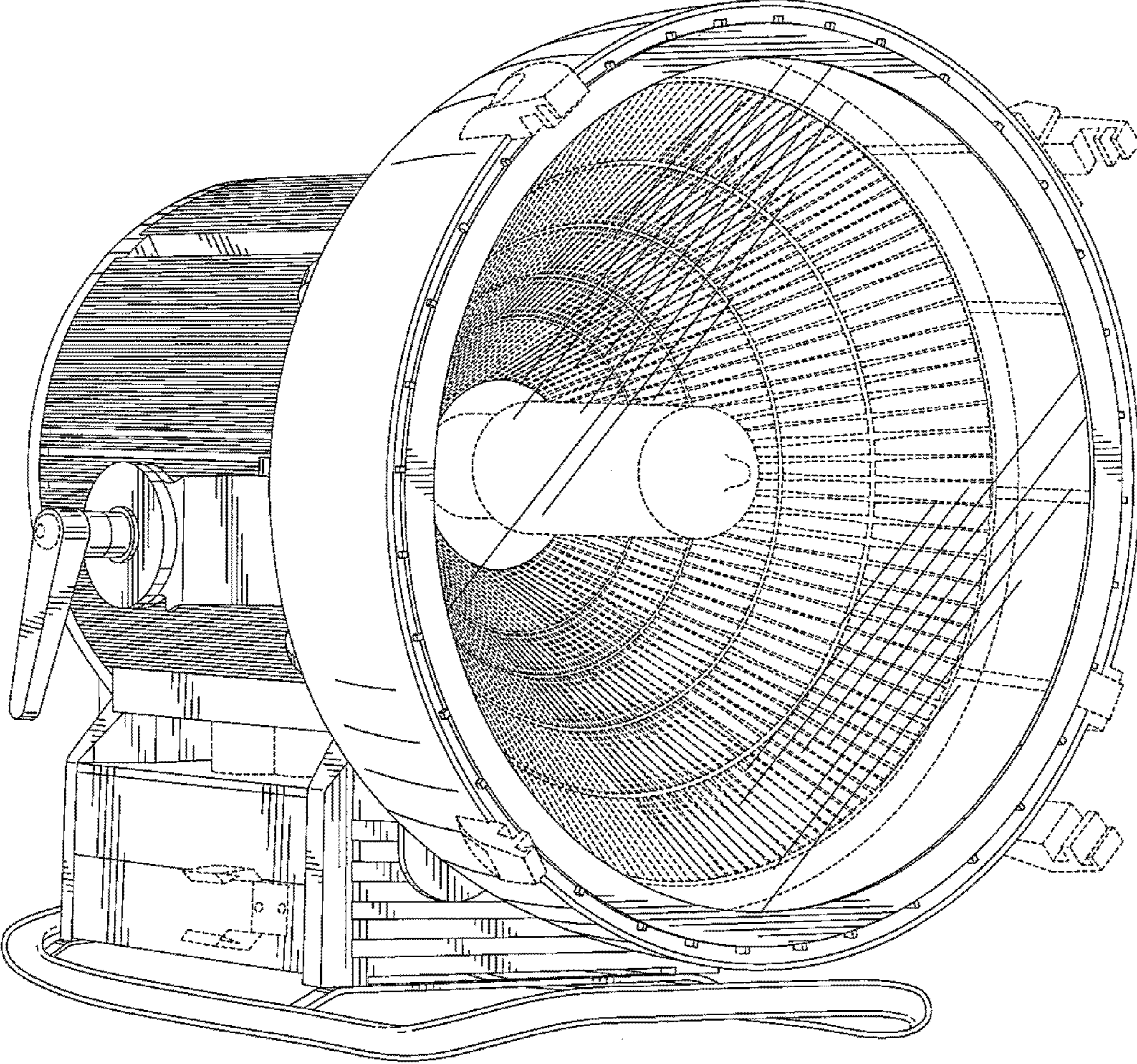


FIG. 2

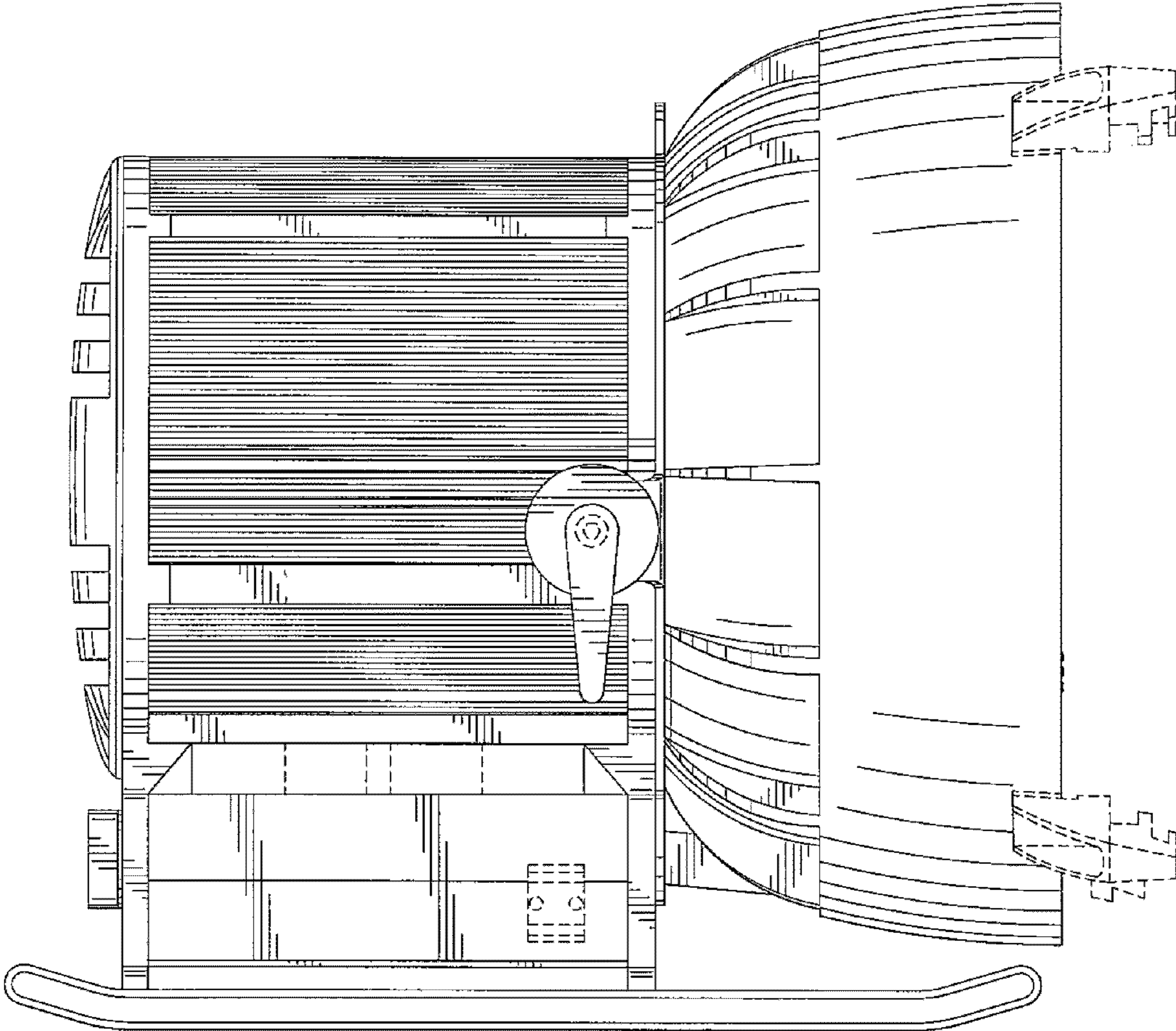


FIG. 3

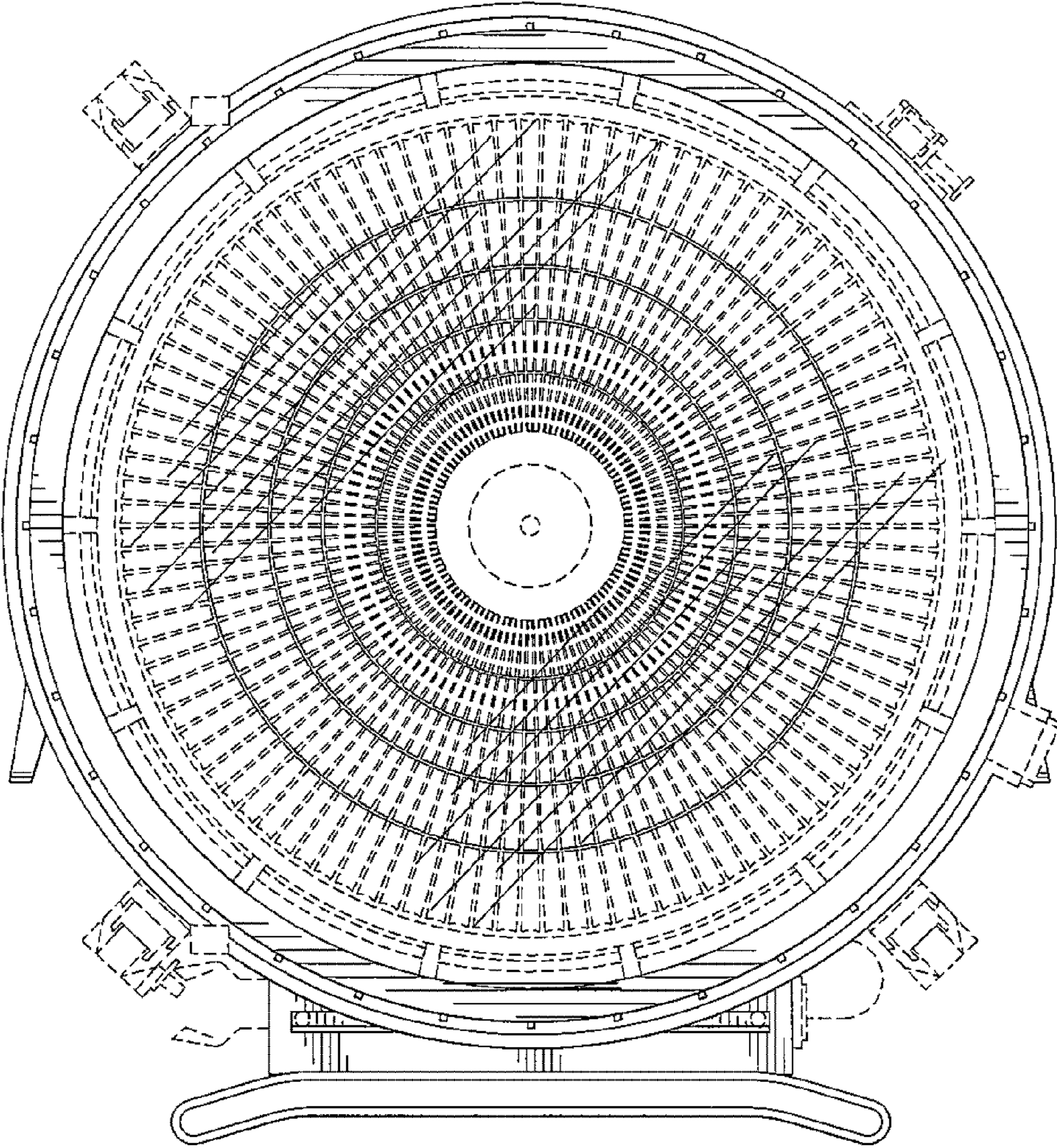


FIG. 4

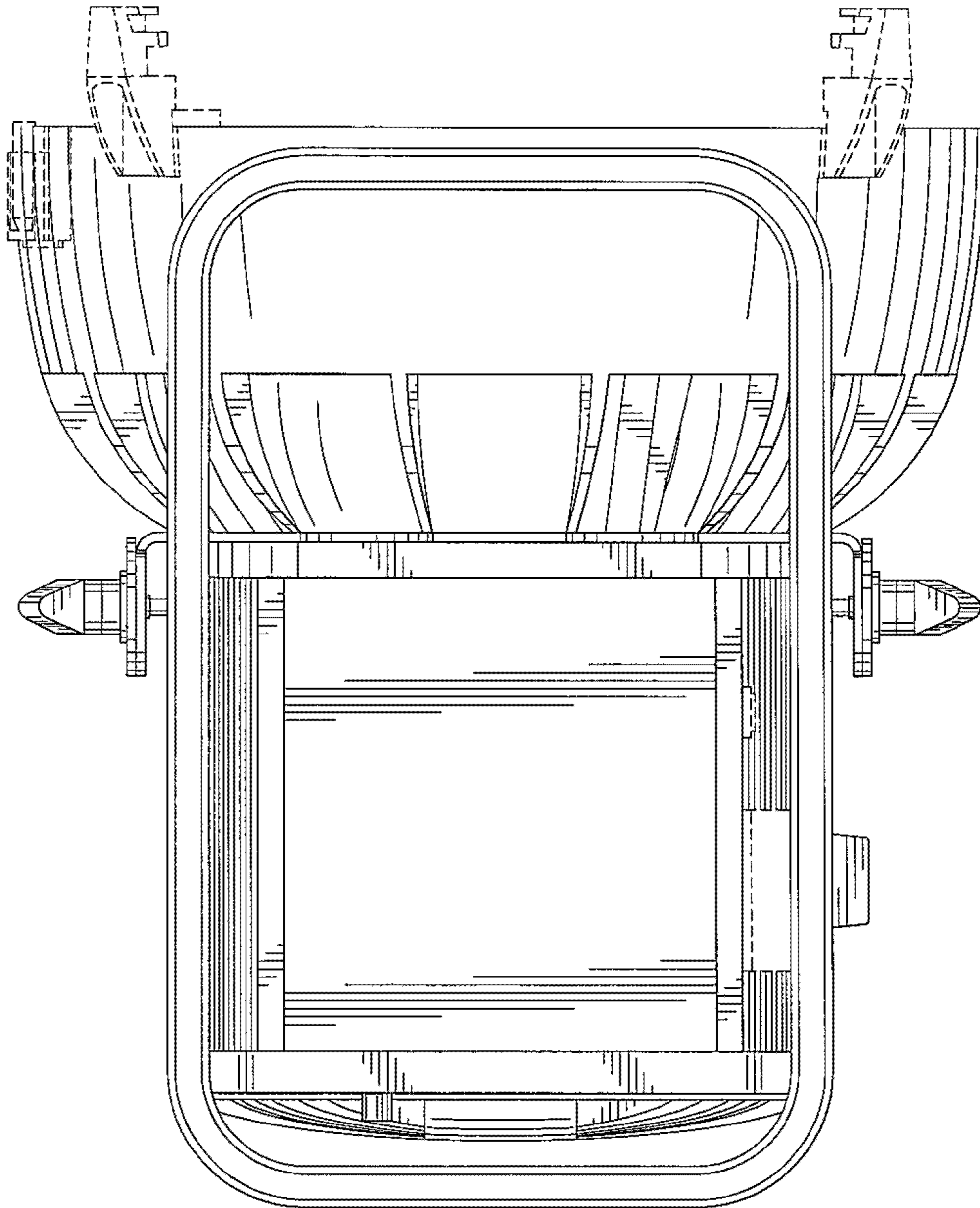


FIG. 5

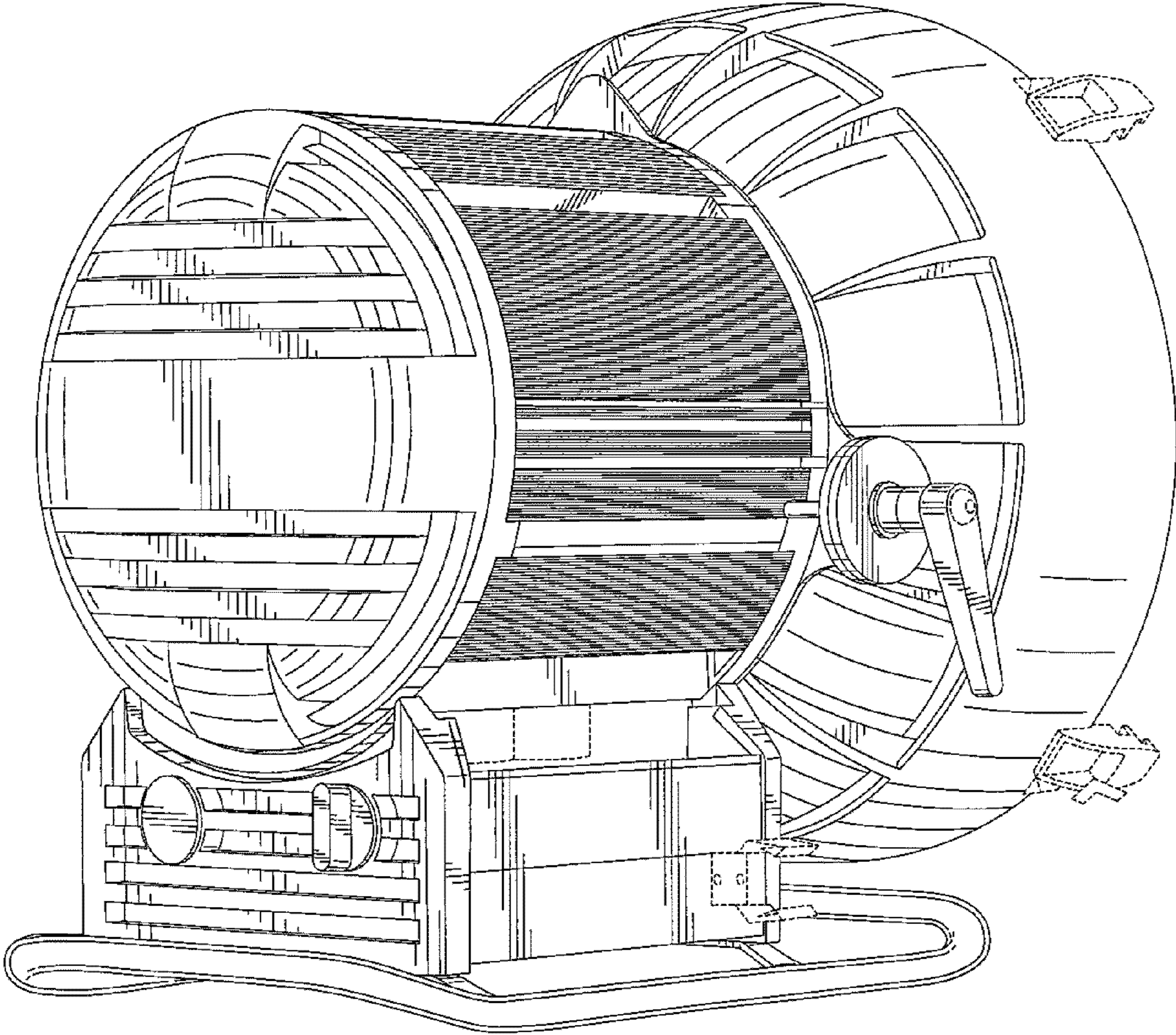


FIG. 6

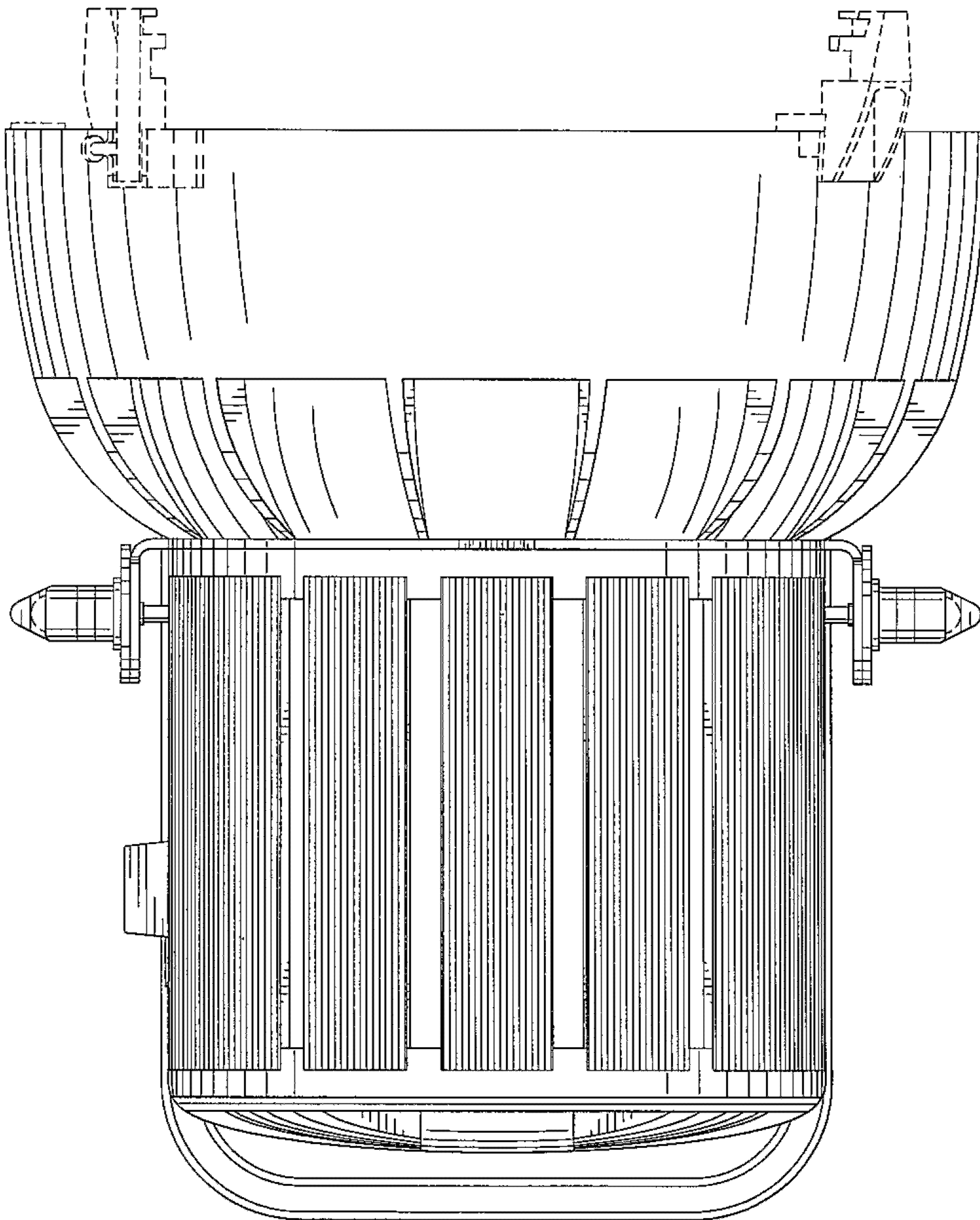


FIG. 7

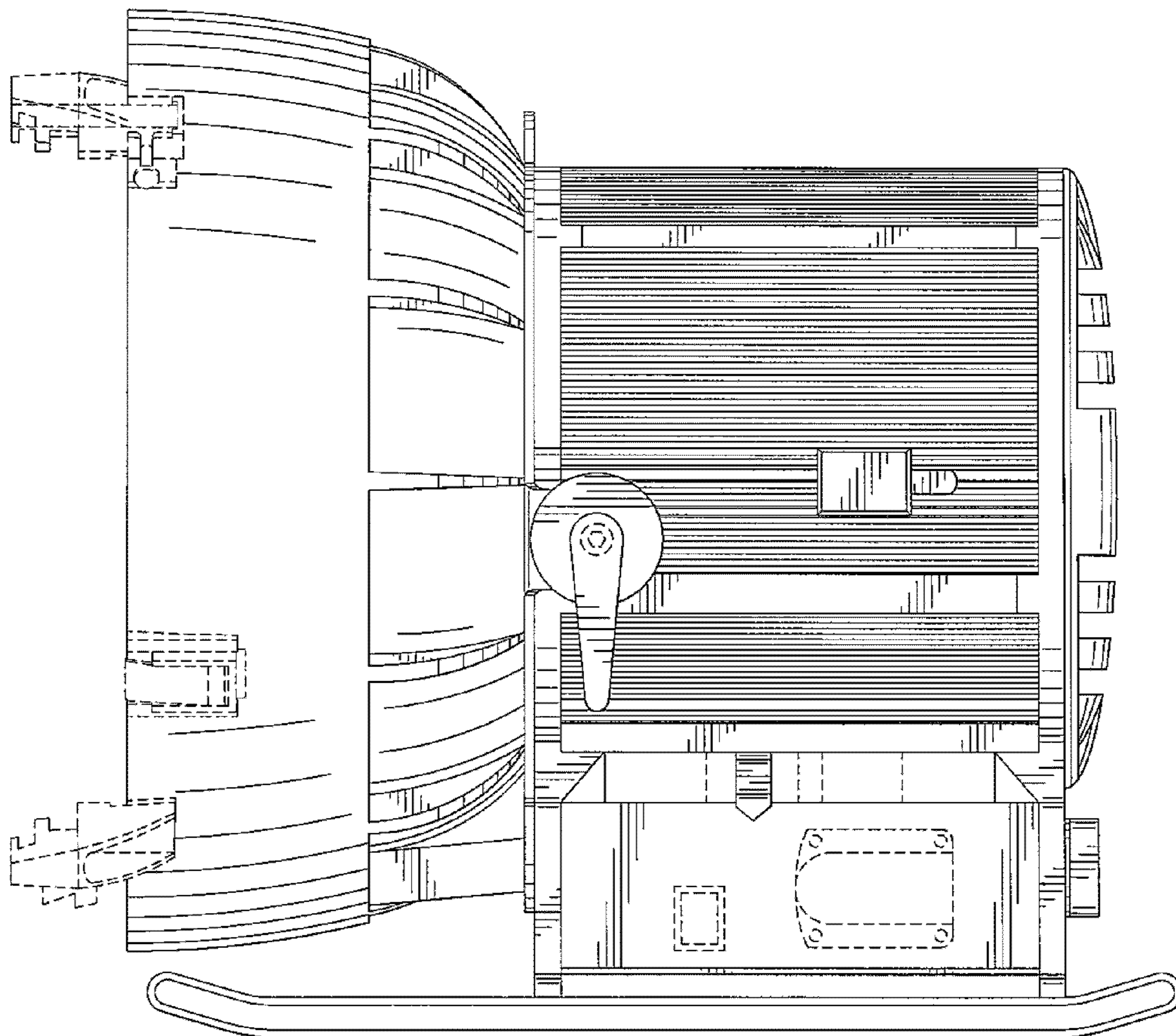




FIG. 8

