



US00D750826S

(12) **United States Design Patent**
Jonischkeit et al.

(10) **Patent No.:** **US D750,826 S**
(45) **Date of Patent:** **** Mar. 1, 2016**

(54) **SPOTLIGHT**

(56) **References Cited**

(71) Applicant: **Arnold & Richter Cine Technik GmbH
& Co Betriebs KG, Munich (DE)**

(72) Inventors: **Michael Jonischkeit, Alxing (DE);
Peter Staudacher, Riedering (DE);
Michael Kaltenecker, Munich (DE)**

(73) Assignee: **Arnold & Richter Cine Technik GmbH
& Co. Betriebs KG, Munich (DE)**

(**) Term: **14 Years**

(21) Appl. No.: **29/447,790**

(22) Filed: **Mar. 6, 2013**

(30) **Foreign Application Priority Data**

Sep. 6, 2012 (DE) 40 2012 100 706

(51) **LOC (10) Cl.** **26-03**

(52) **U.S. Cl.**
USPC **D26/61**

(58) **Field of Classification Search**
USPC D26/1, 24, 61, 63, 118
CPC F21V 21/14; F21V 15/01; F21V 14/02;
F21V 21/30; F21V 14/00; F21S 8/00; F21Y
2105/001

See application file for complete search history.

U.S. PATENT DOCUMENTS

D257,890 S *	1/1981	Aron	D26/63
D260,300 S *	8/1981	Aron	D26/63
D271,043 S *	10/1983	Parker	D26/63
D279,928 S *	7/1985	McNabb et al.	D26/63
D327,955 S *	7/1992	Hart	D26/63
D328,148 S *	7/1992	Waldmann	D26/63
D505,220 S *	5/2005	Stekelenburg	D26/61
D563,035 S *	2/2008	Schlegel et al.	D26/118
D613,440 S *	4/2010	Lindholm	D26/63
D699,382 S *	2/2014	Moller et al.	D26/63

* cited by examiner

Primary Examiner — Brian N Vinson

(74) *Attorney, Agent, or Firm* — Lewis Roca Rothgerber
Christie LLP

(57) **CLAIM**

The ornamental design for a spotlight, as shown and
described.

DESCRIPTION

FIG. 1 is a back view of the spotlight;
FIG. 2 is a perspective back elevation view of the spotlight
from the right side thereof;
FIG. 3 is a right side view thereof;
FIG. 4 is a bottom view thereof;
FIG. 5 is a left side view thereof;
FIG. 6 is a top view thereof;
FIG. 7 is a front view thereof; and,
FIG. 8 is a perspective front elevation view of the spotlight
from the left side.
The broken line disclosure represents portions of the spotlight
which form no part of the claimed design.

1 Claim, 8 Drawing Sheets

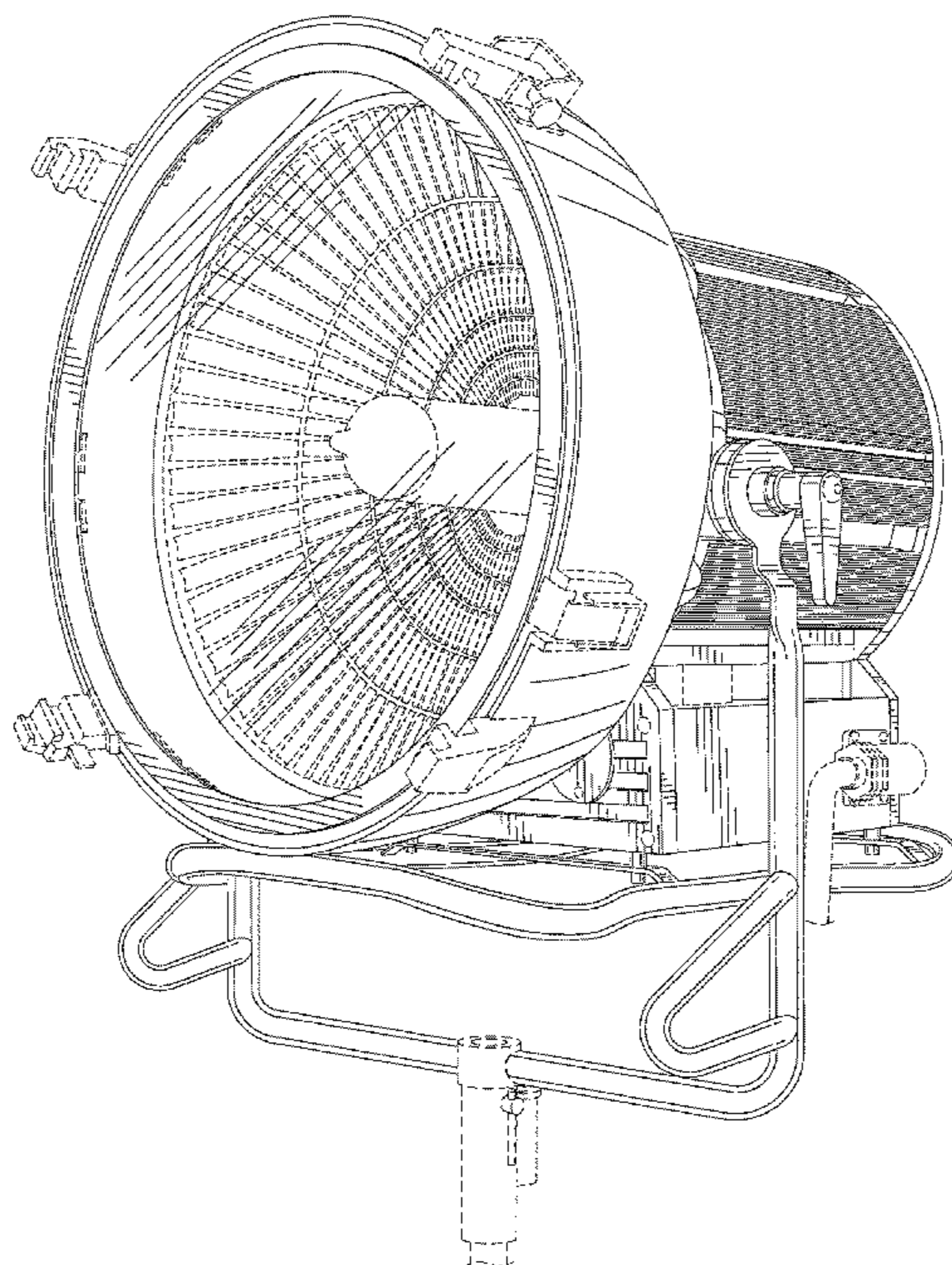


FIG. 1

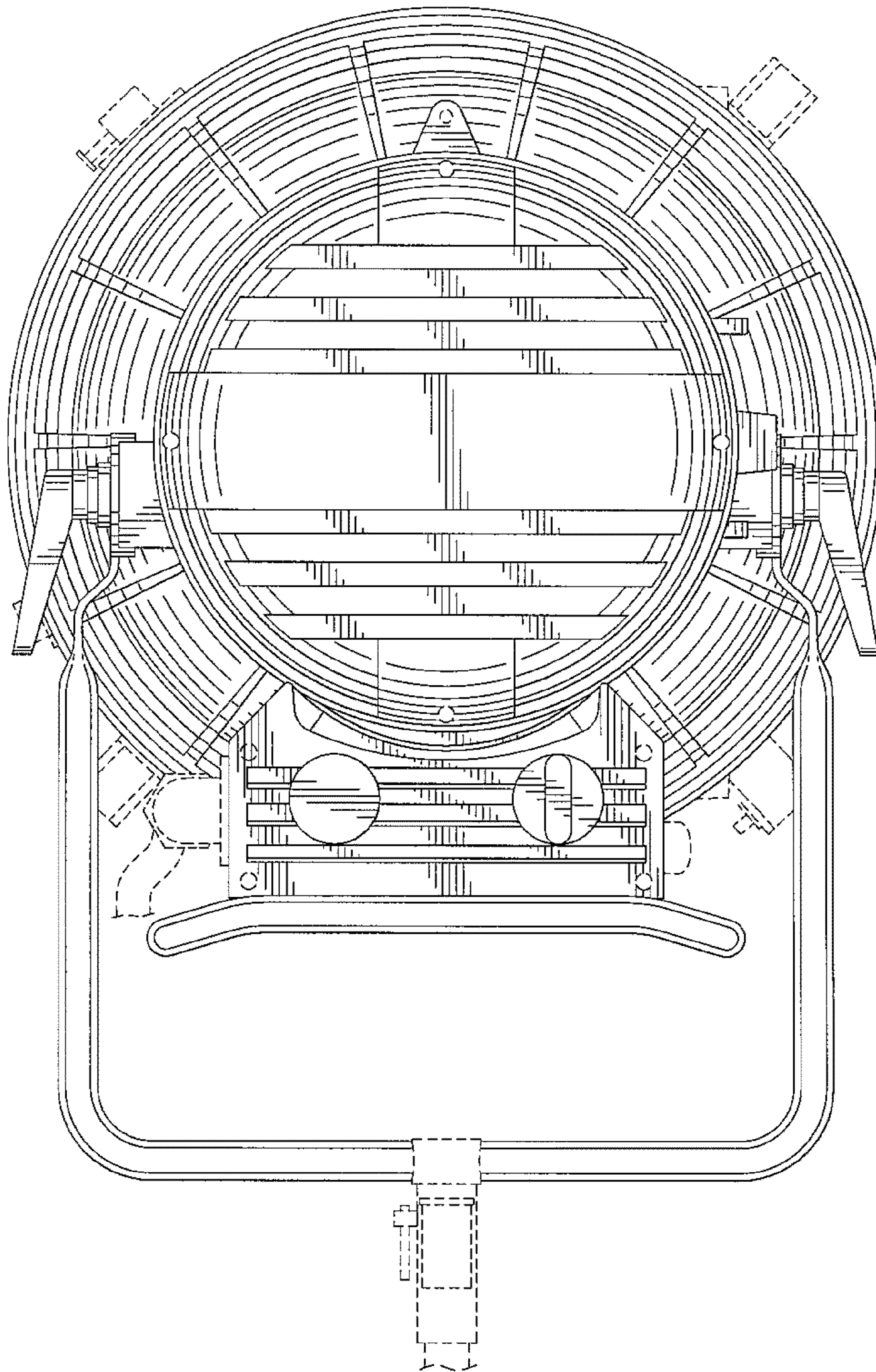


FIG. 2

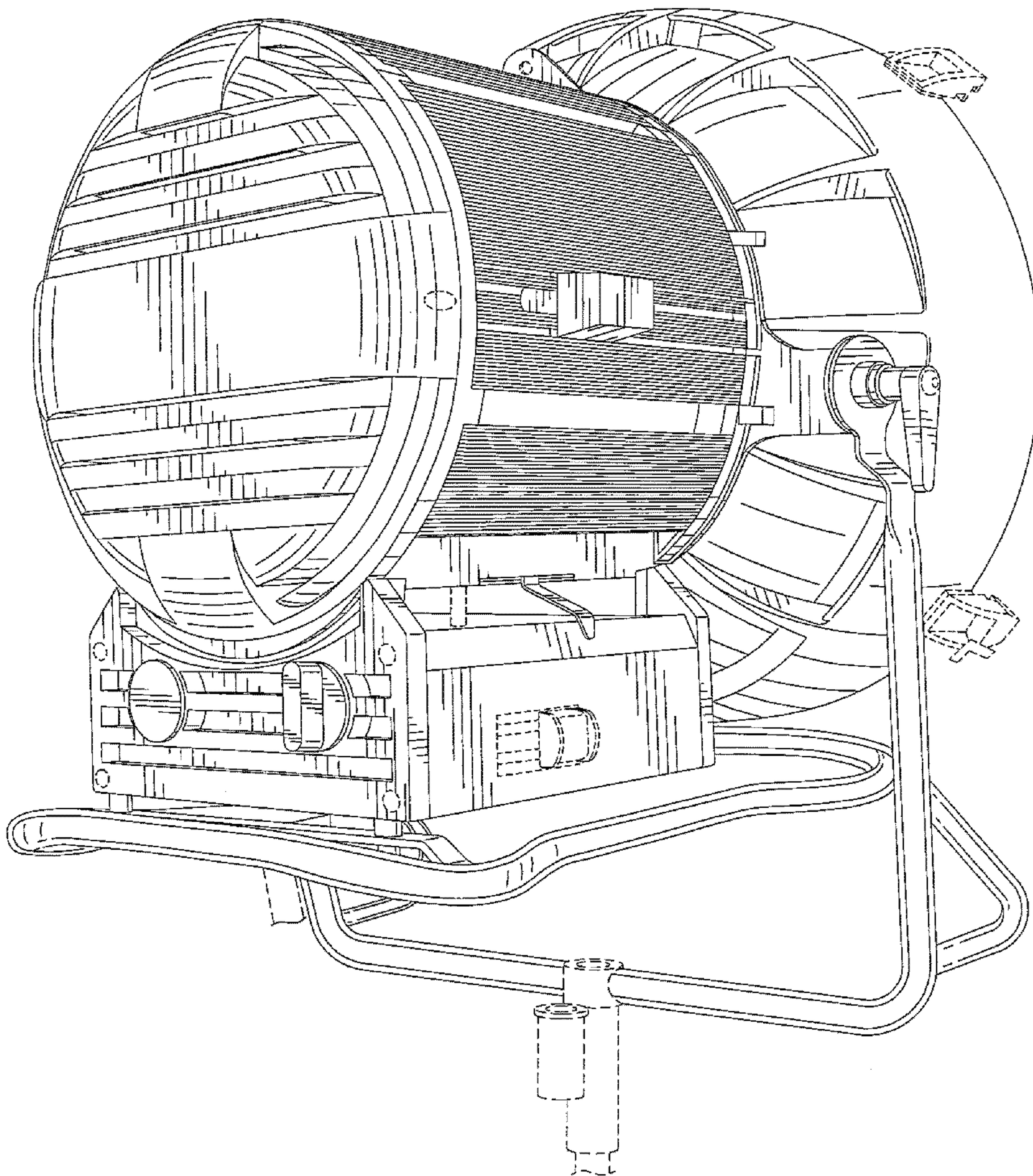


FIG. 3

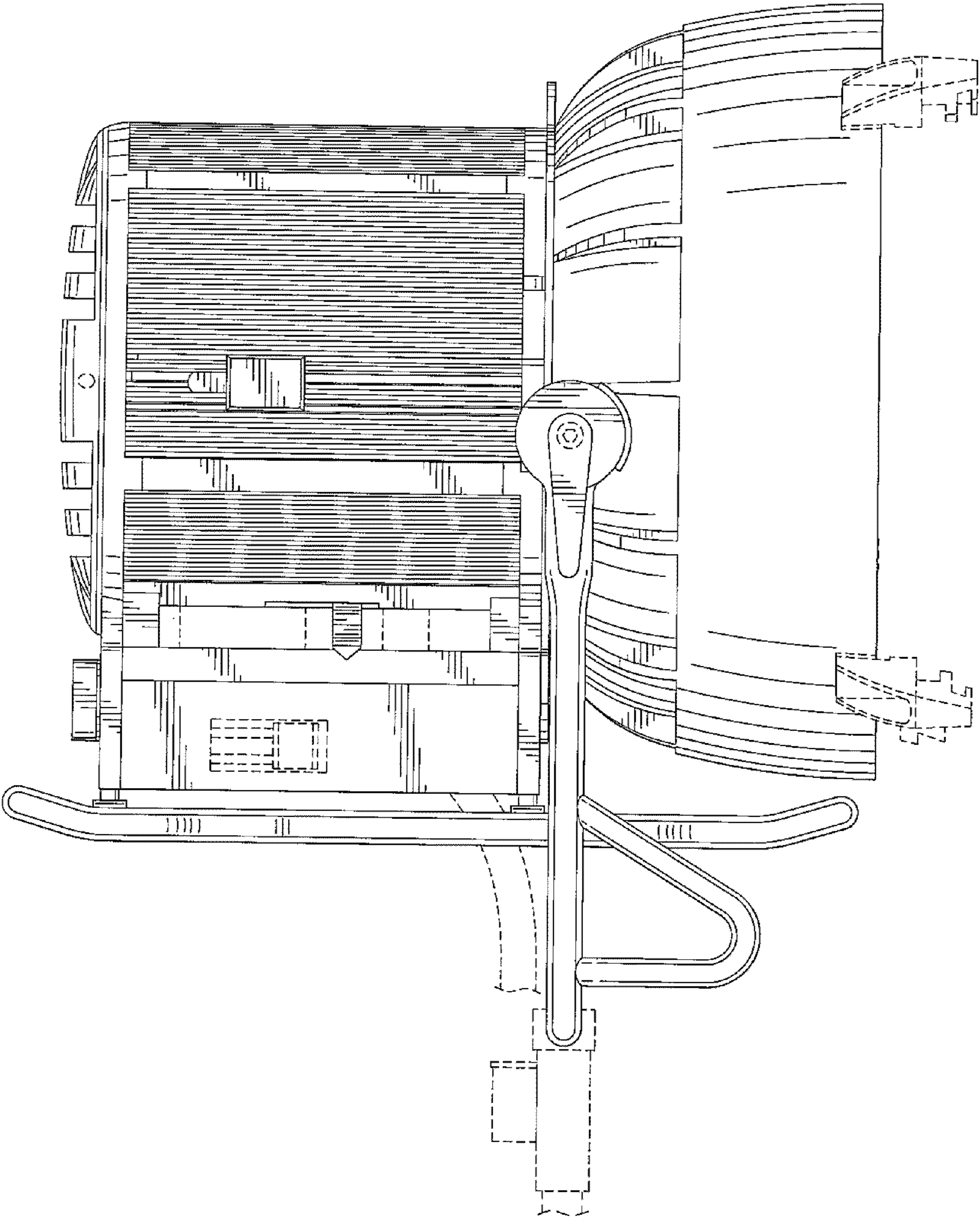


FIG. 4

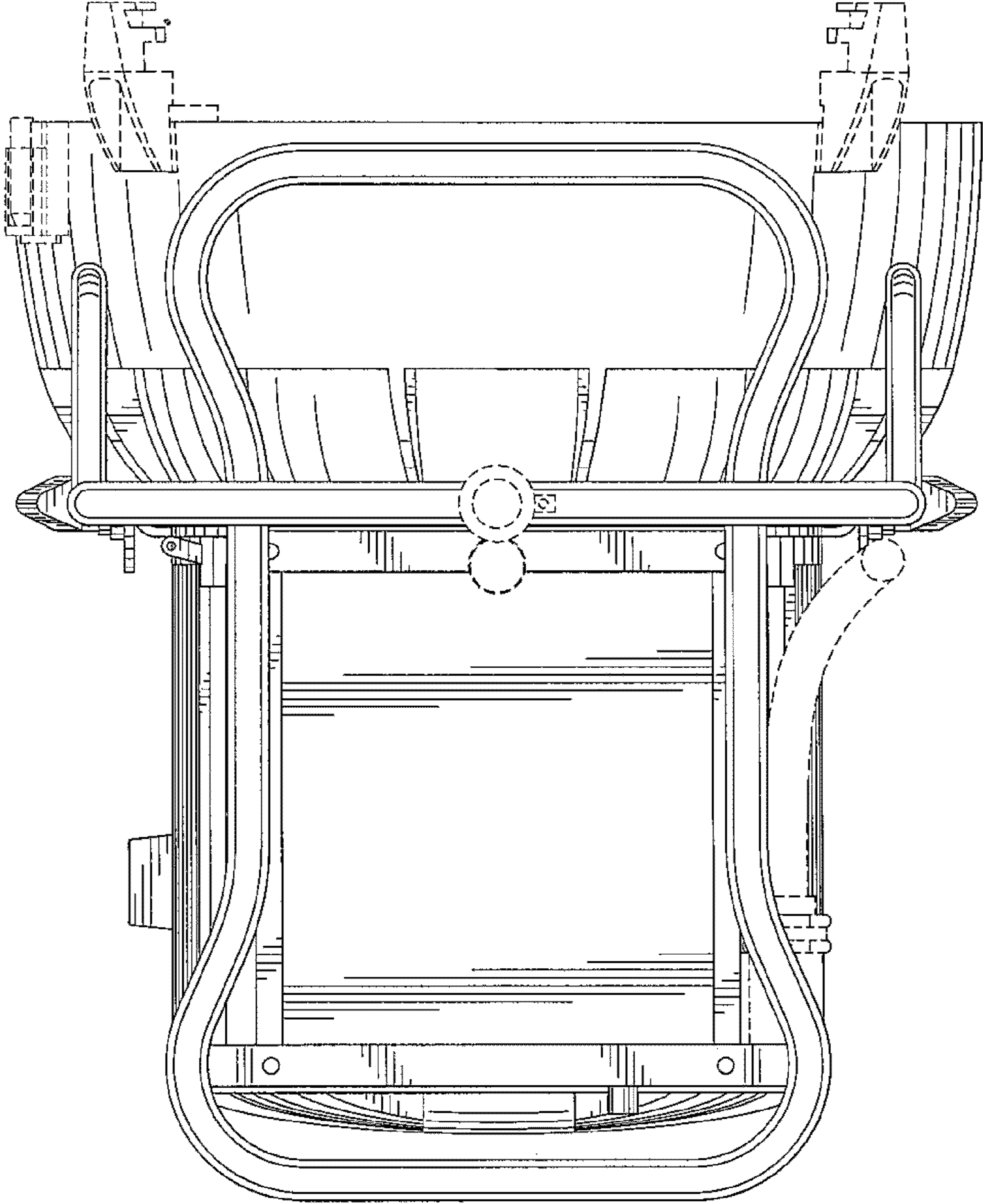


FIG. 5

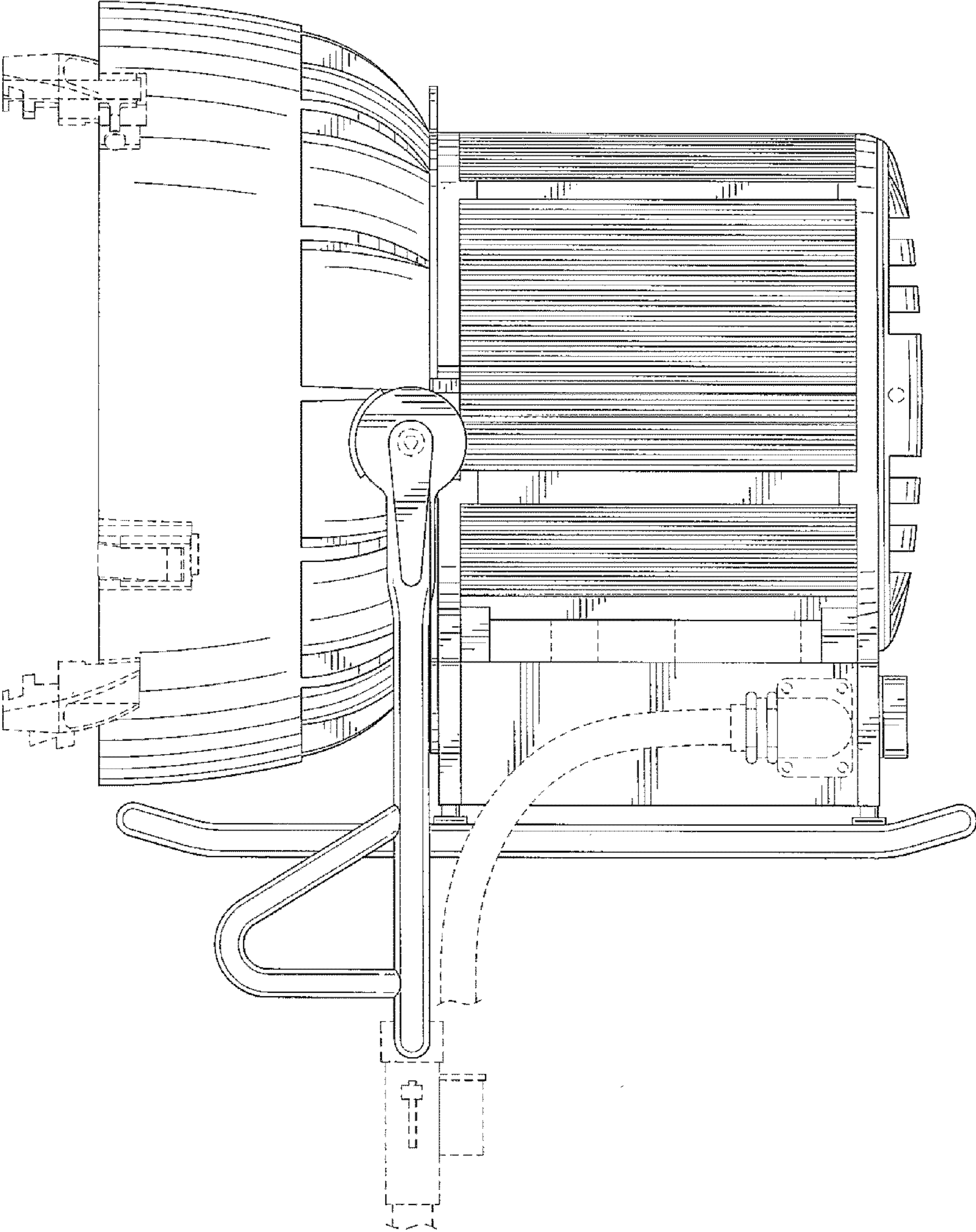


FIG. 6

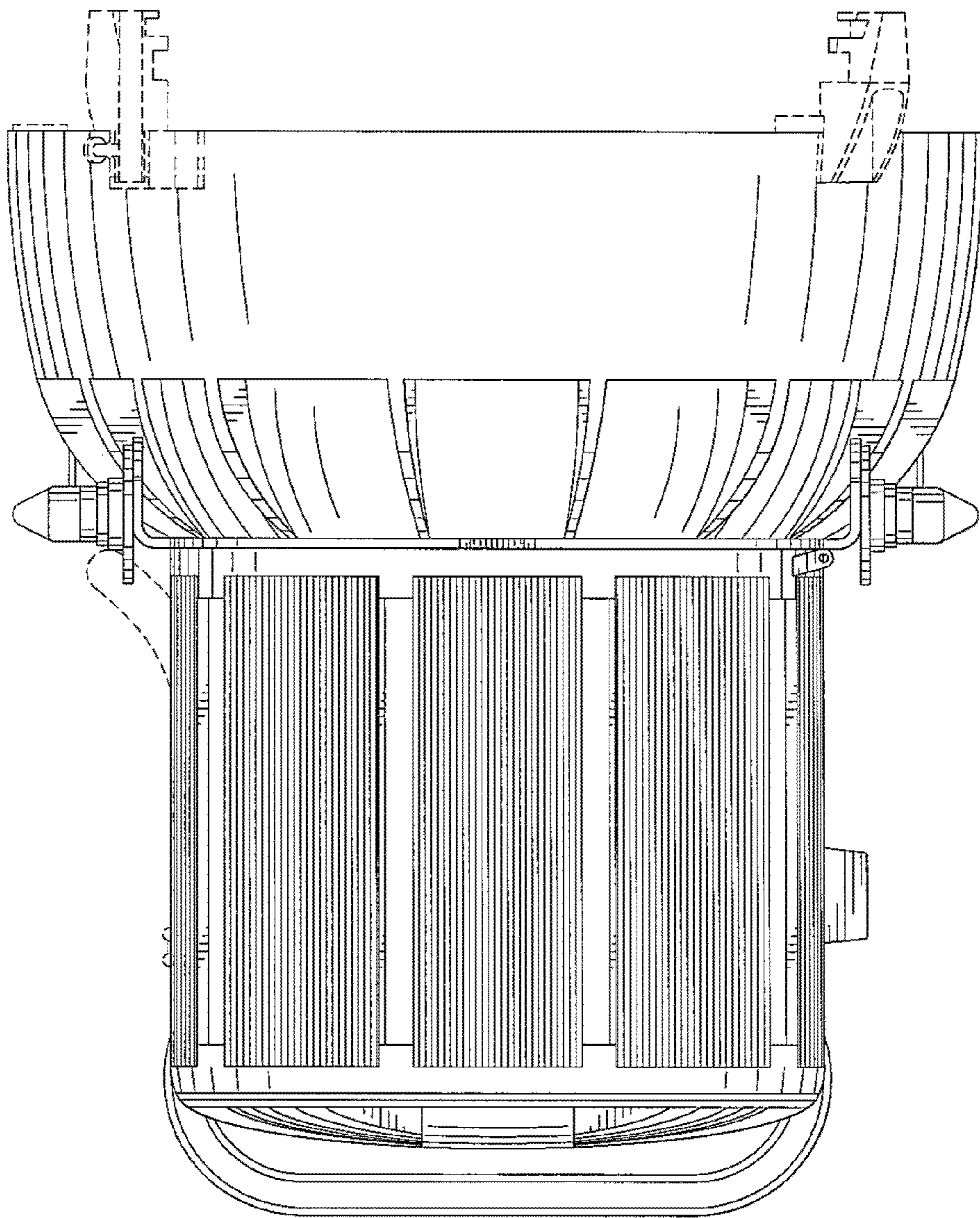


FIG. 7

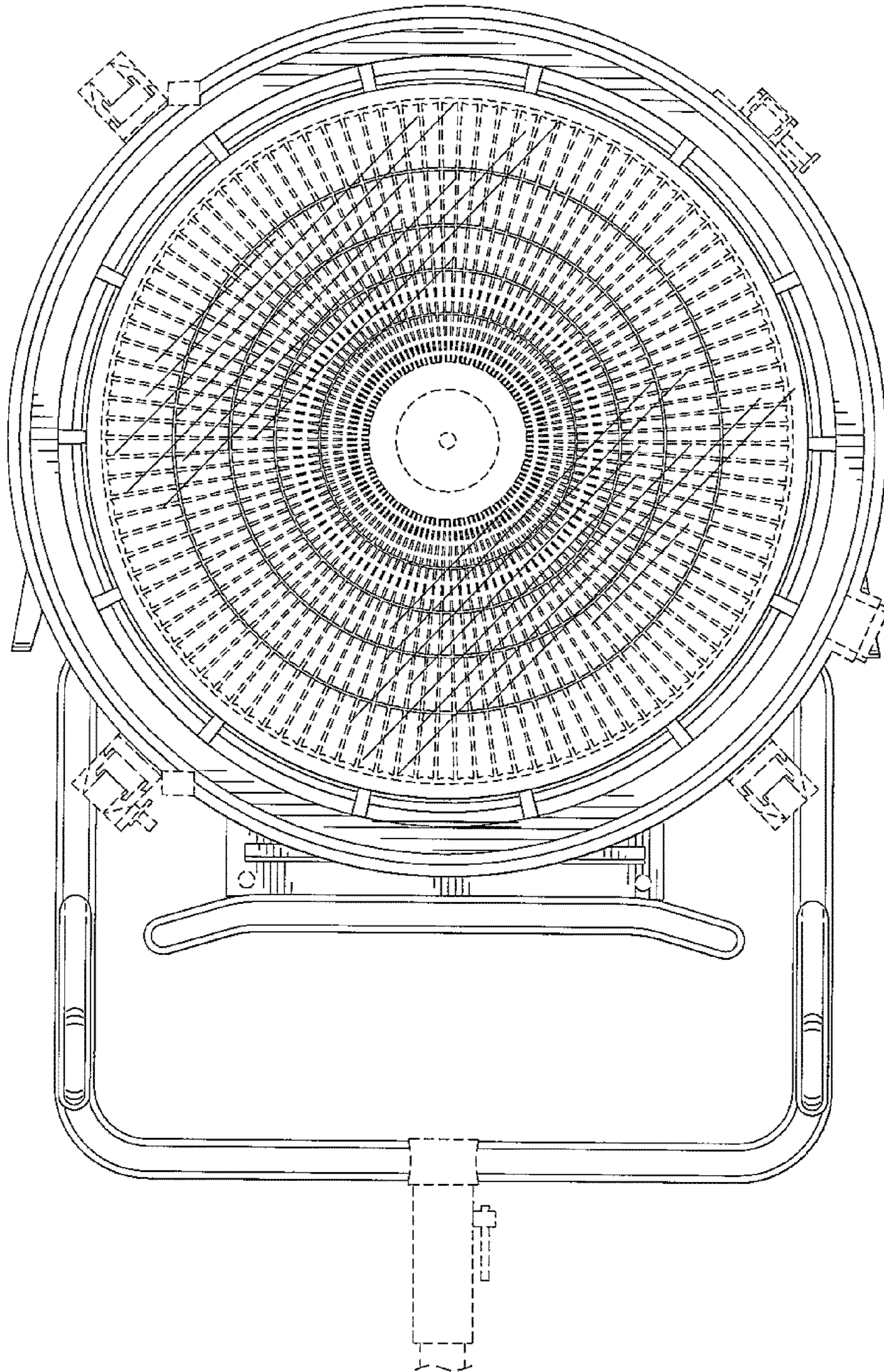


FIG. 8

