



US00D750825S

(12) **United States Design Patent**
Bryant et al.

(10) **Patent No.:** **US D750,825 S**
(45) **Date of Patent:** **** Mar. 1, 2016**

(54) **PORTABLE LIGHT WITH HEADLIGHT AND FLOODLIGHT**

2003/00; F21L 2005/00
See application file for complete search history.

(71) Applicants: **Christopher Michael Bryant**, Social Circle, GA (US); **Nivay Sahaye**, Lawrenceville, GA (US); **Patrick Ryan McDowell**, Peachtree City, GA (US); **James Richard Christ**, Peachtree City, GA (US)

(56) **References Cited**

U.S. PATENT DOCUMENTS

D418,238 S *	12/1999	Offler	D26/42
D421,142 S *	2/2000	Bayat	D26/42
D421,143 S *	2/2000	Kovacik	D26/42
D441,888 S *	5/2001	Haneda	D26/42

(72) Inventors: **Christopher Michael Bryant**, Social Circle, GA (US); **Nivay Sahaye**, Lawrenceville, GA (US); **Patrick Ryan McDowell**, Peachtree City, GA (US); **James Richard Christ**, Peachtree City, GA (US)

* cited by examiner

Primary Examiner — Marcus Jackson
(74) *Attorney, Agent, or Firm* — King & Spalding LLP

(73) Assignee: **Cooper Technologies Company**, Houston, TX (US)

(57) **CLAIM**

The ornamental design for a portable light with headlight and floodlight, as shown and described.

(**) Term: **14 Years**

DESCRIPTION

(21) Appl. No.: **29/503,874**

FIG. 1 is a front perspective view of a portable light with headlight and floodlight, showing our new design; FIG. 2 is a rear perspective view thereof; FIG. 3 is a bottom elevation view thereof; FIG. 4 is a top elevation view thereof; FIG. 5 is a front elevation view thereof; FIG. 6 is a rear elevation view thereof; FIG. 7 is a left-side elevation view thereof; and, FIG. 8 is a right-side elevation view thereof. The broken lines shown represent unclaimed subject matter and form no part of the claimed design.

(22) Filed: **Sep. 30, 2014**

(51) **LOC (10) Cl.** **26-02**

(52) **U.S. Cl.**
USPC **D26/42**

(58) **Field of Classification Search**
USPC D26/37-50; 362/171-174, 183-208
CPC F21V 33/00; F21V 14/025; F21V 21/406;
F21Y 2101/02; F21L 2/00; F21L 4/00;
F21L 4/005; F21L 17/00; F21L 13/08; F21L

1 Claim, 4 Drawing Sheets

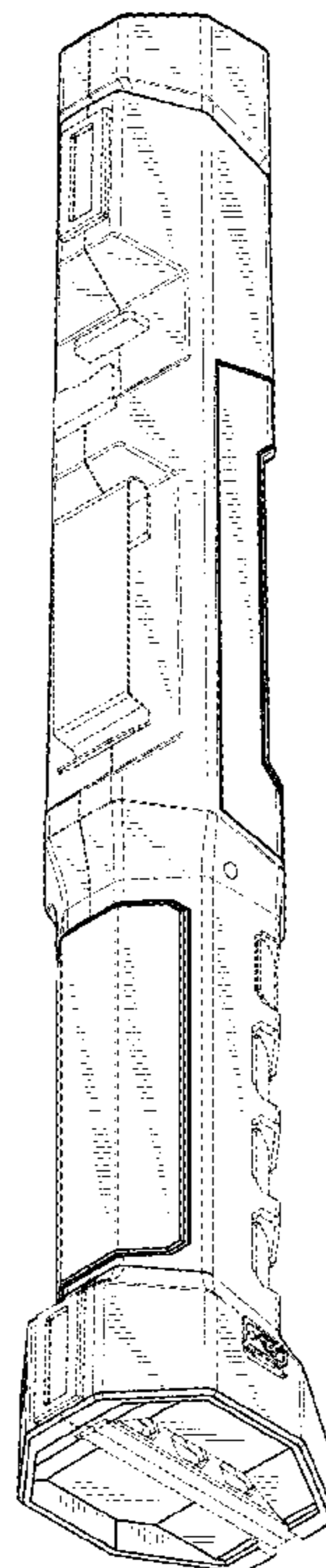
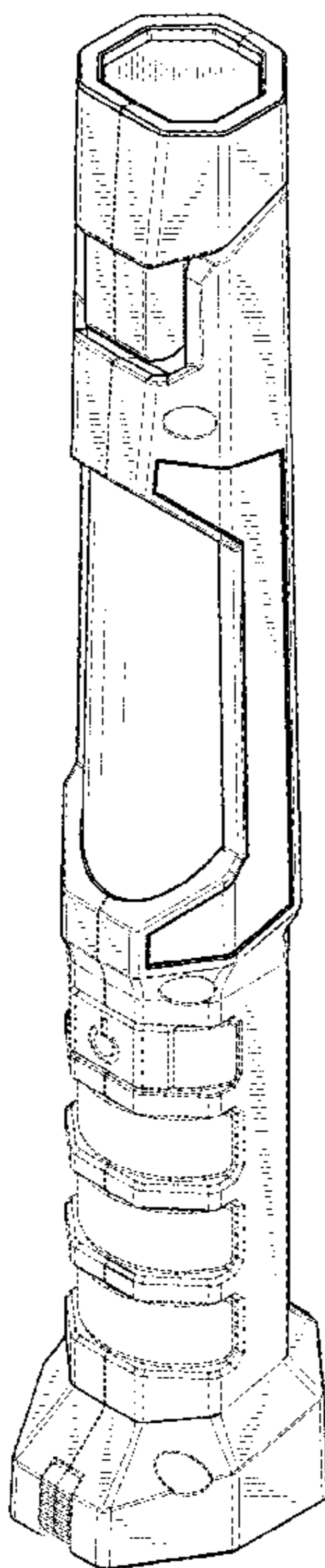


FIG. 1

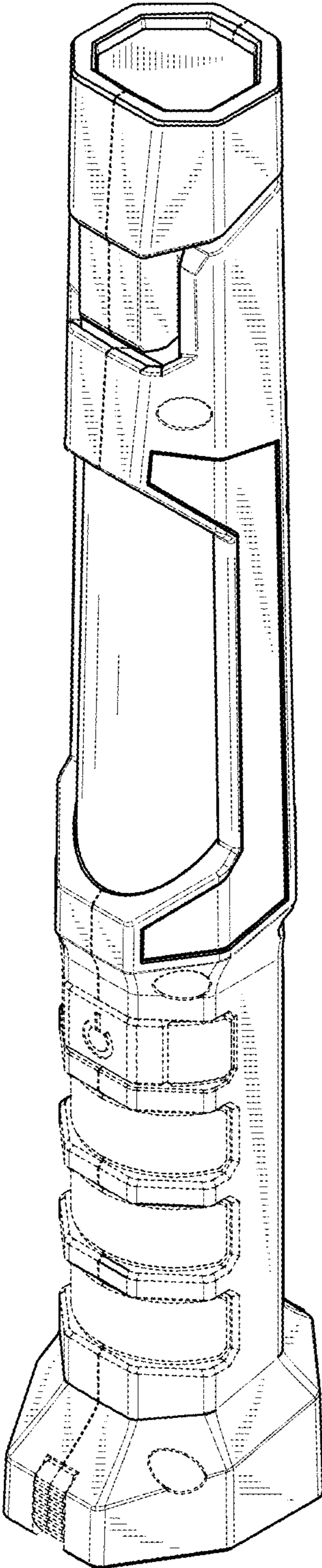


FIG. 2

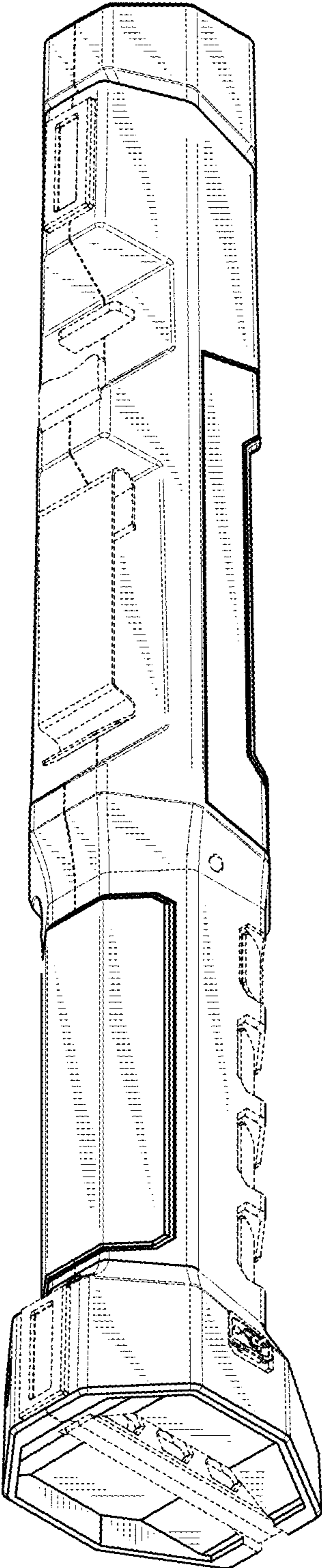


FIG. 3

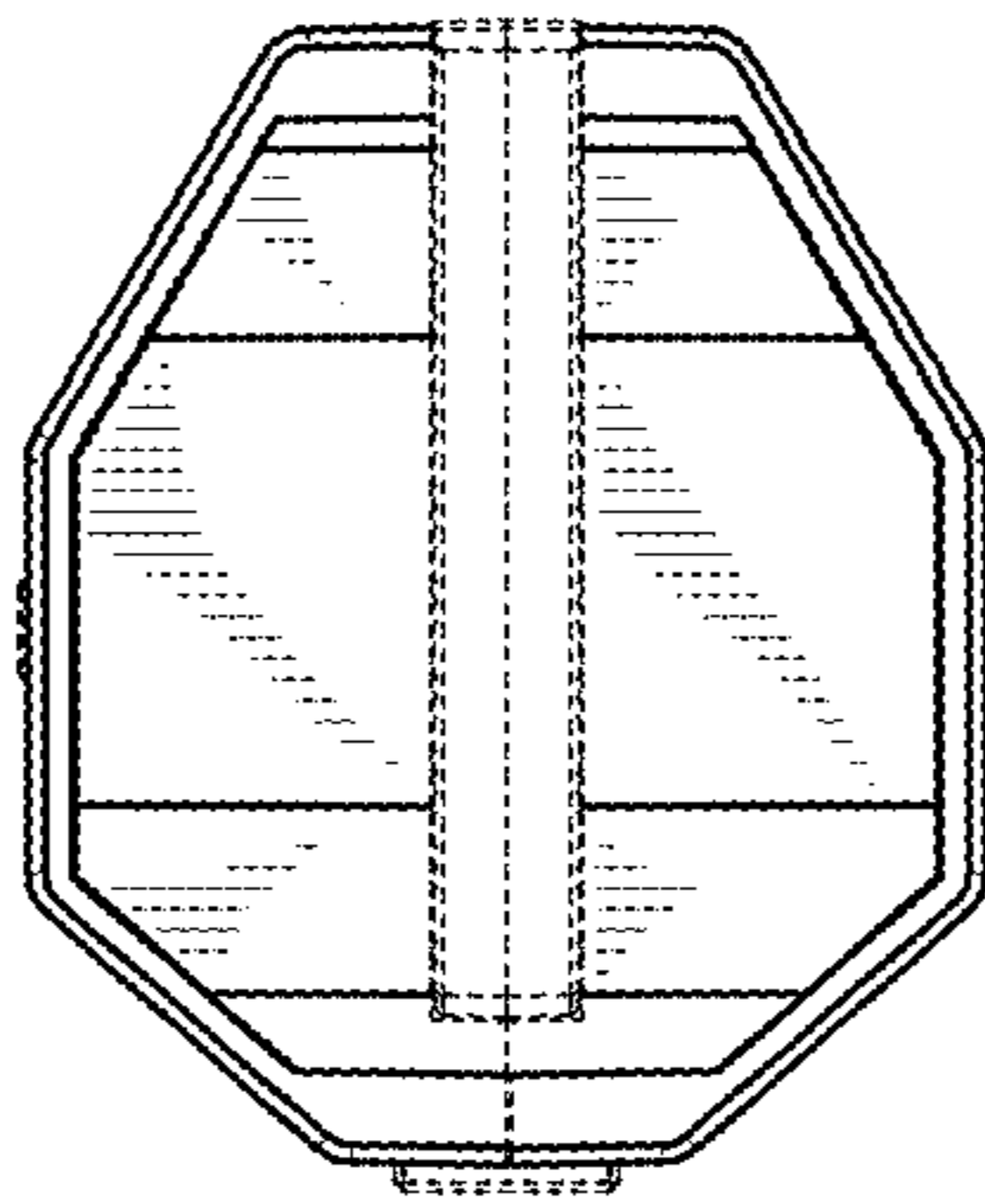


FIG. 4

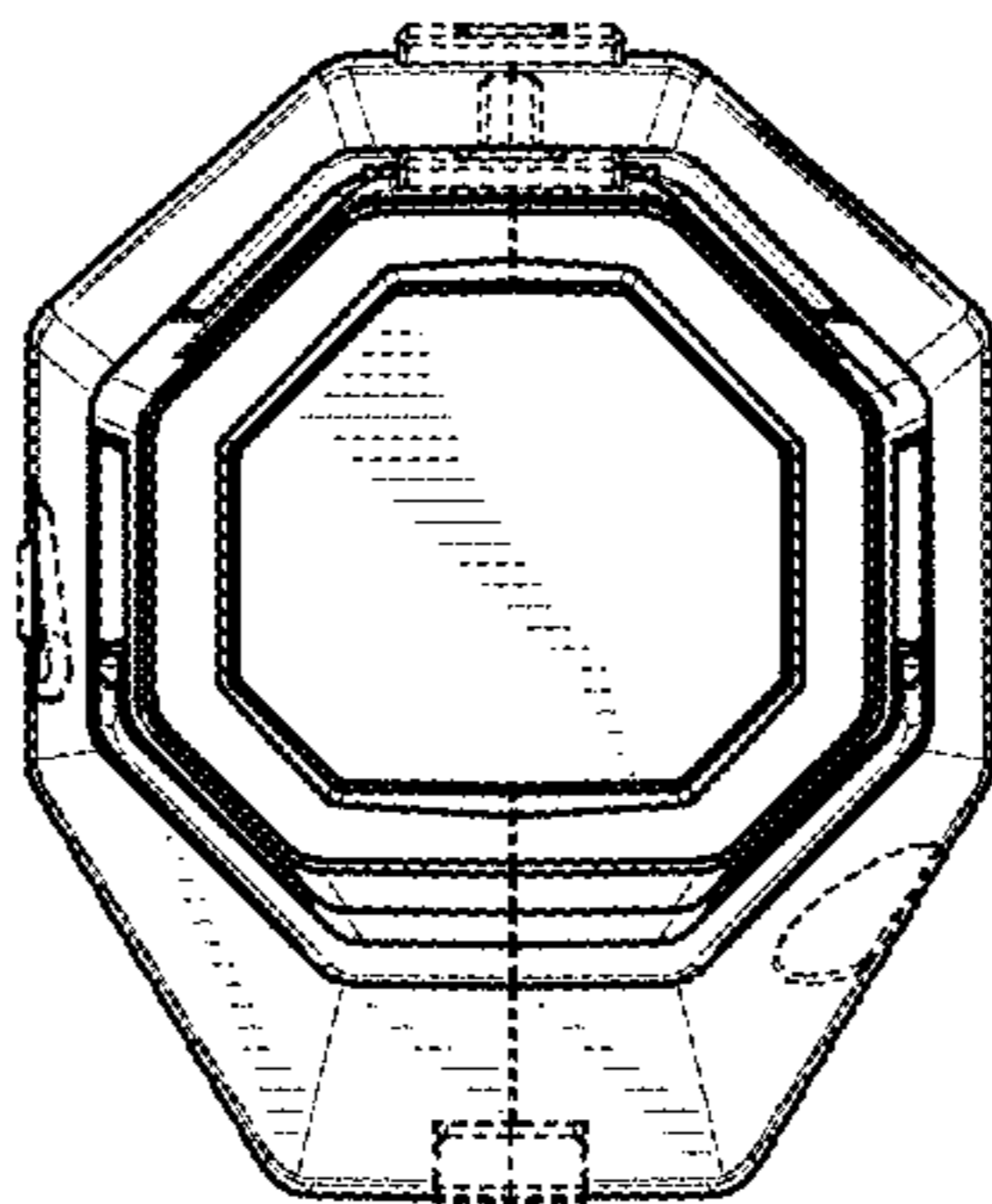


FIG. 5

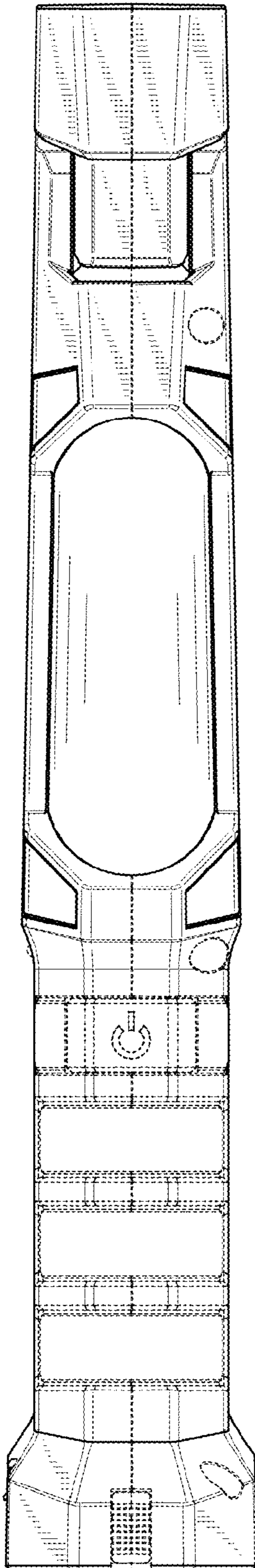


FIG. 6

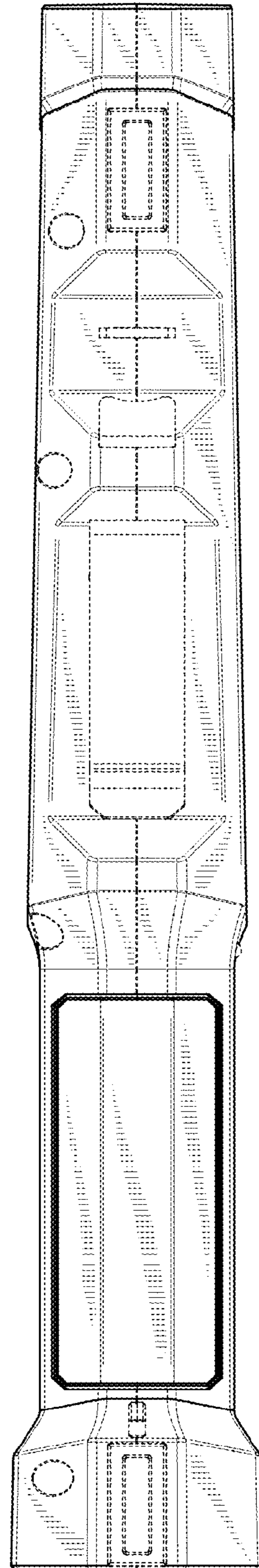


FIG. 7

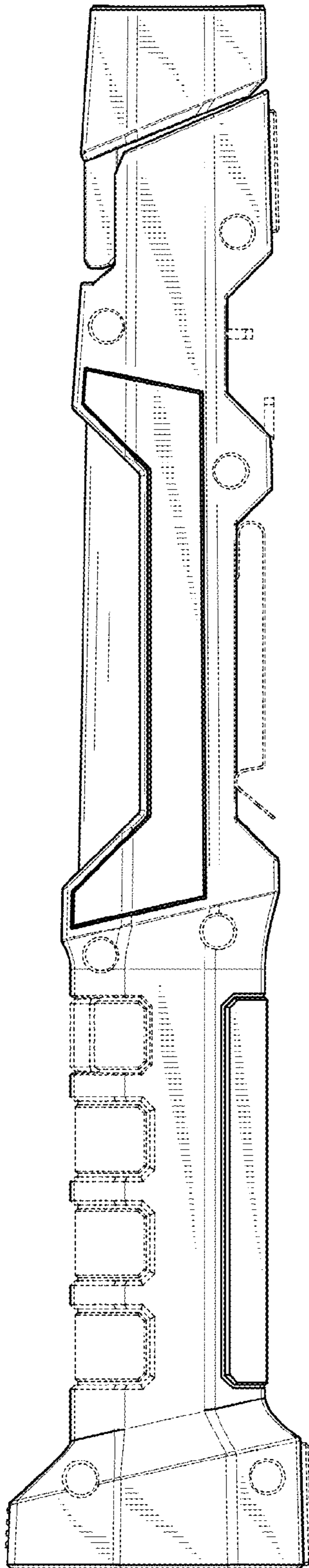


FIG. 8

