



US00D750822S

(12) **United States Design Patent**  
**Hernandez et al.**

(10) **Patent No.:** **US D750,822 S**  
(45) **Date of Patent:** **\*\* Mar. 1, 2016**

(54) **LIGHTED CARABINER**

(71) Applicant: **Alltrade Tools LLC**, Long Beach, CA (US)

(72) Inventors: **Hector Ray Hernandez**, Fullerton, CA (US); **Zhang Jianfeng**, Shanghai (CN)

(73) Assignee: **ALLTRADE TOOLS INC.**, Long Beach, CA (US)

(\*\*) Term: **14 Years**

(21) Appl. No.: **29/508,369**

(22) Filed: **Nov. 5, 2014**

(51) **LOC (10) Cl.** ..... **26-02**

(52) **U.S. Cl.**  
USPC ..... **D26/38; D8/356**

(58) **Field of Classification Search**  
USPC ..... D26/37, 38, 41, 51, 43, 46; D8/356;  
362/116, 120, 157, 158, 103, 184, 186,  
362/196, 200–208, 555, 396, 191; D3/208,  
D3/209; D10/30, 31  
CPC ..... F21V 33/00; F21V 14/025; F21V 21/406;  
F21Y 2101/02; F21L 17/00; F21L 13/08;  
F21L 2001/00; F21L 14/02; A45F 2005/002  
See application file for complete search history.

(56) **References Cited**

**U.S. PATENT DOCUMENTS**

D375,374 S \* 11/1996 Yuen ..... D26/42  
D489,703 S \* 5/2004 Tien ..... D14/168

D521,168 S \* 5/2006 Waters ..... D10/114.1  
D523,575 S \* 6/2006 Bhavnani ..... D26/38  
D546,490 S \* 7/2007 Brown ..... D26/42  
D551,788 S \* 9/2007 Bao ..... D26/38  
D567,978 S \* 4/2008 Jianwei ..... D26/42  
D603,240 S \* 11/2009 Kunzendorf ..... D26/38  
D636,915 S \* 4/2011 Bryant ..... D26/42  
D640,400 S \* 6/2011 Huang ..... D26/42  
D730,722 S \* 6/2015 Grimm ..... D8/356  
D737,487 S \* 8/2015 Beckett ..... D26/38

\* cited by examiner

*Primary Examiner* — Ian Simmons

*Assistant Examiner* — Carissa C Fitts

(74) *Attorney, Agent, or Firm* — Fulwider Patton LLP

(57) **CLAIM**

The ornamental design for a lighted carabiner, as shown and described.

**DESCRIPTION**

FIG. 1 is a perspective view of a lighted carabiner, showing our new design;

FIG. 2 is a top view thereof;

FIG. 3 is a front view thereof;

FIG. 4 is a right view thereof;

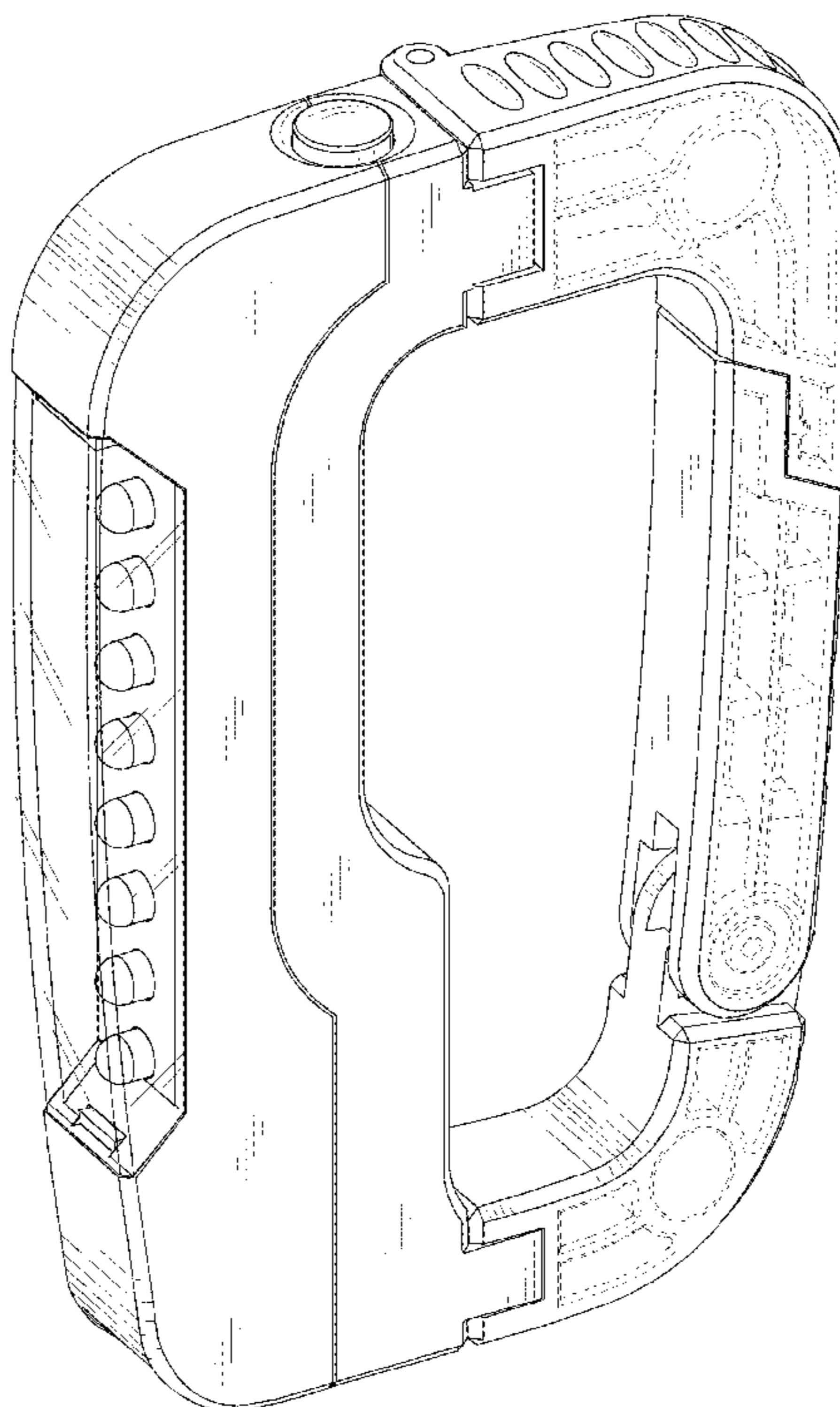
FIG. 5 is a back view thereof;

FIG. 6 is a left view thereof; and,

FIG. 7 is a bottom view thereof.

The broken line showing represents portions of the article not claimed and forms no part of the claimed design.

**1 Claim, 3 Drawing Sheets**



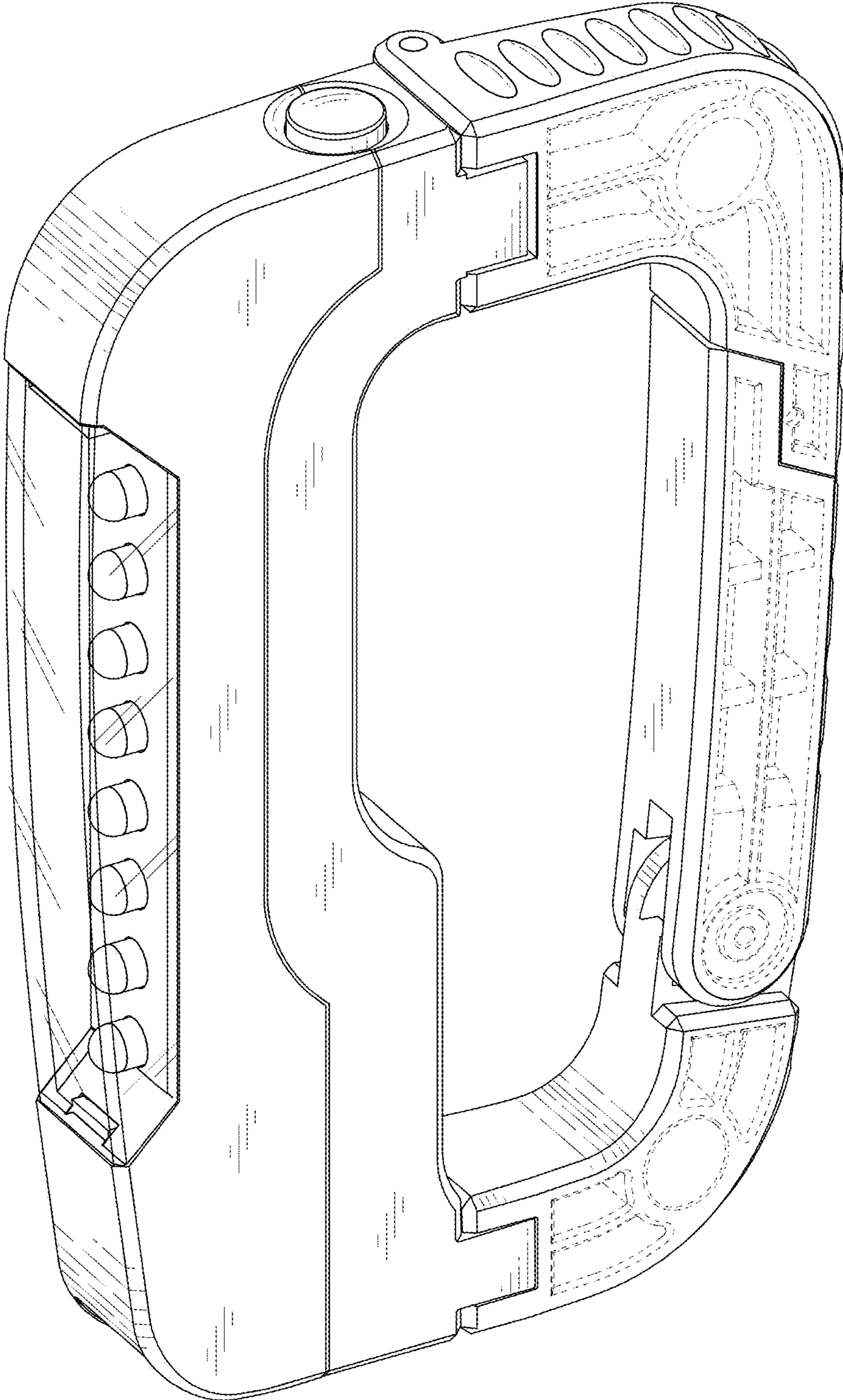


FIG. 1

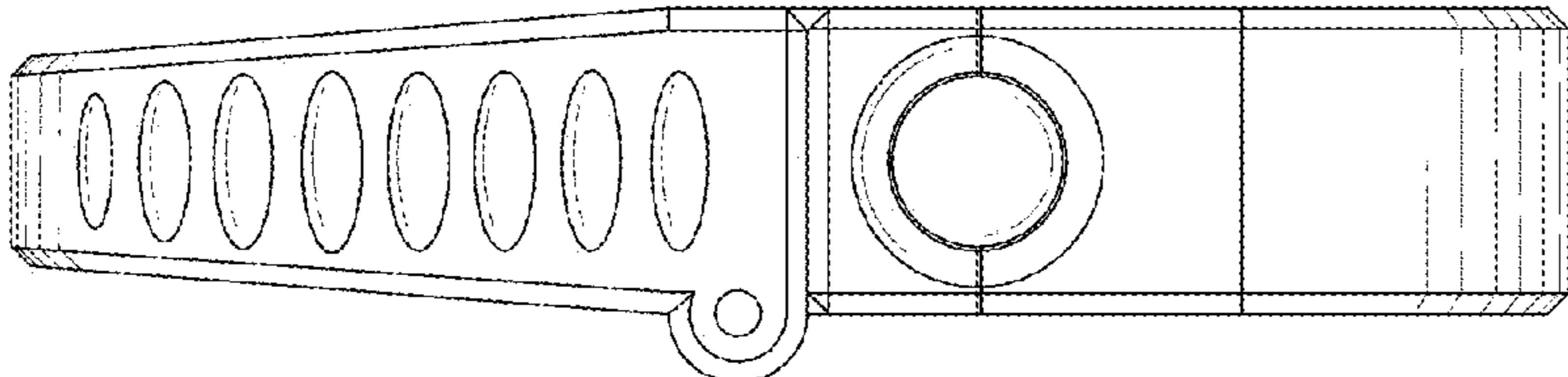


FIG. 2

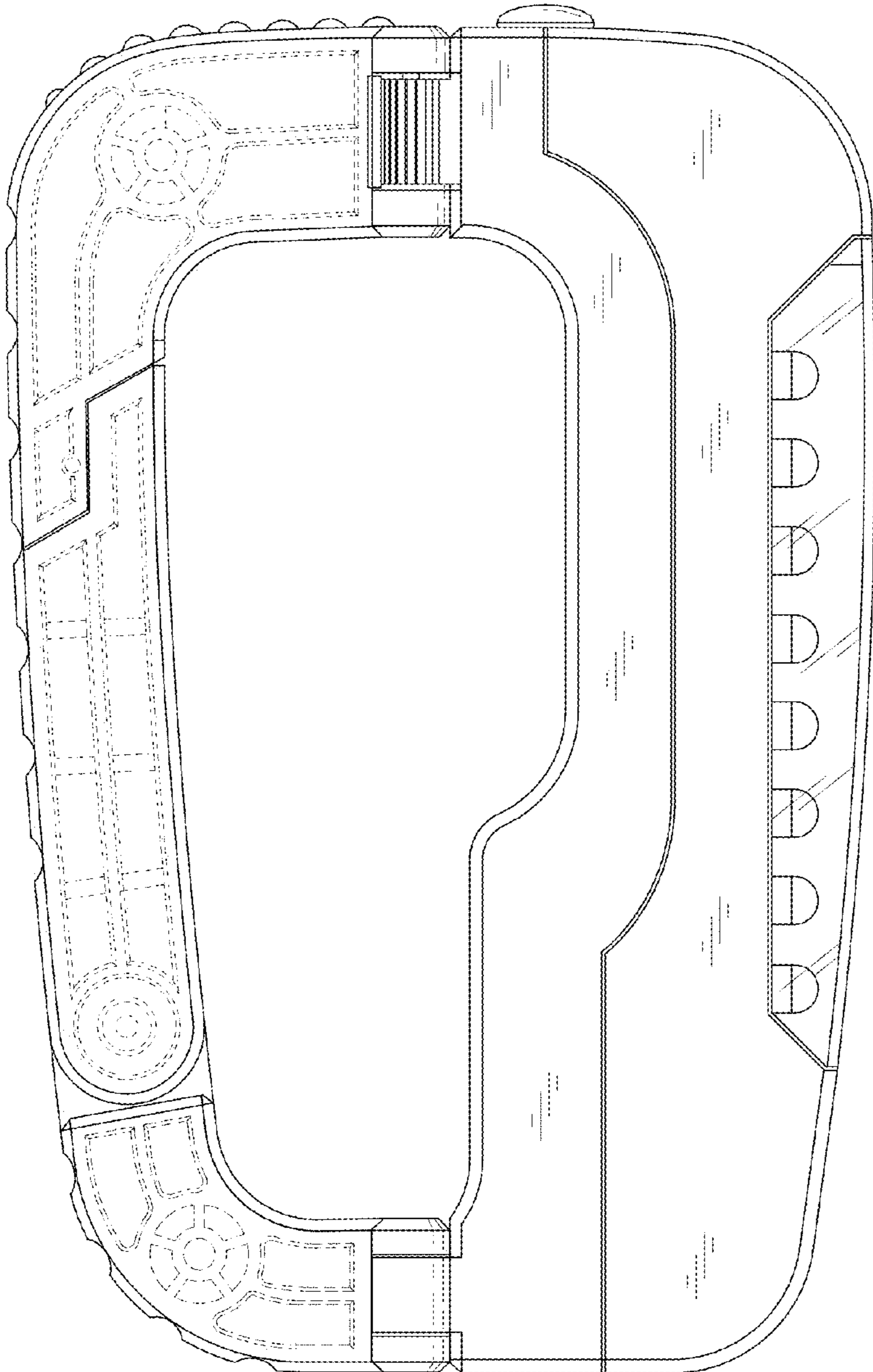


FIG. 3

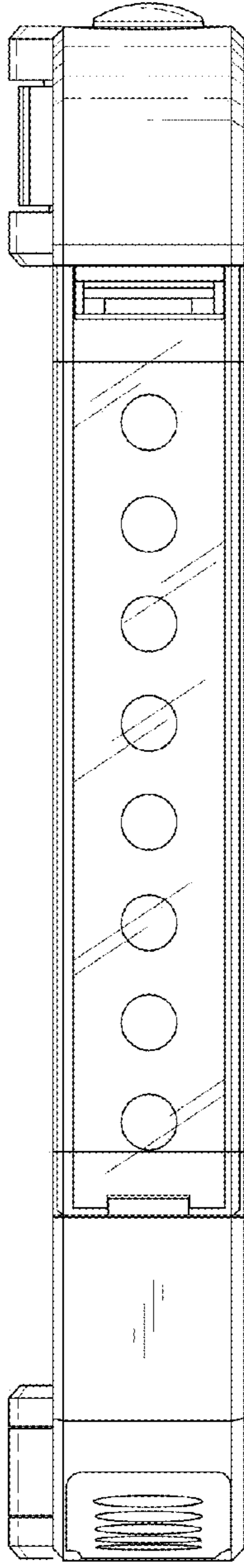


FIG. 4

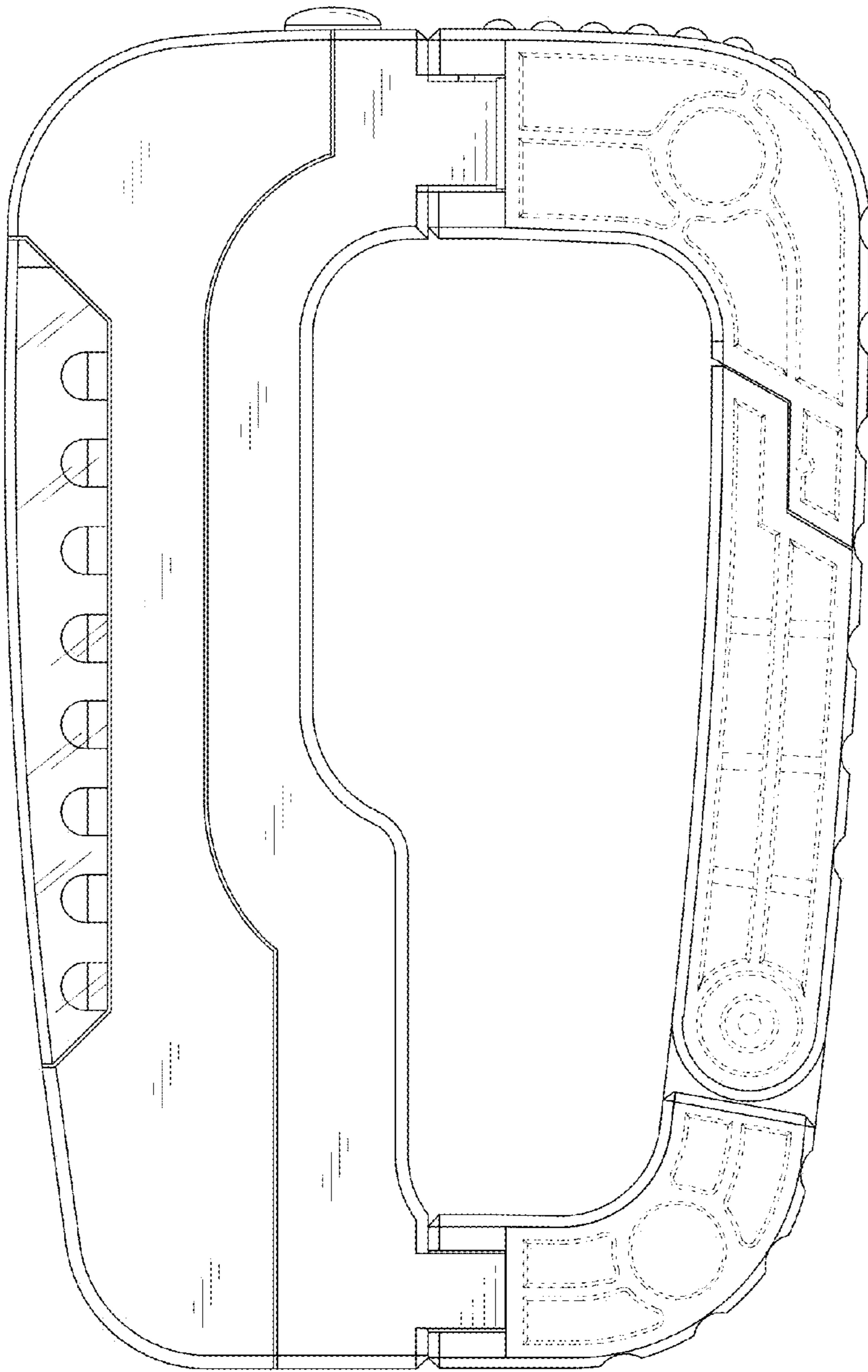


FIG. 5

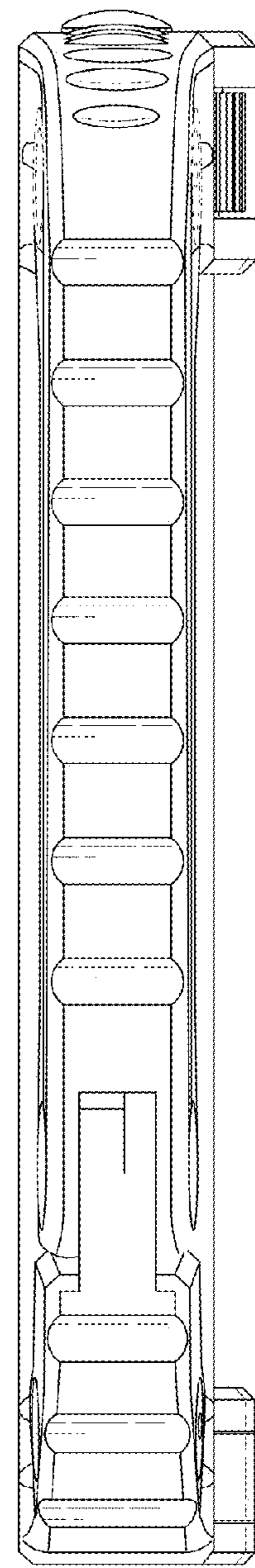


FIG. 6

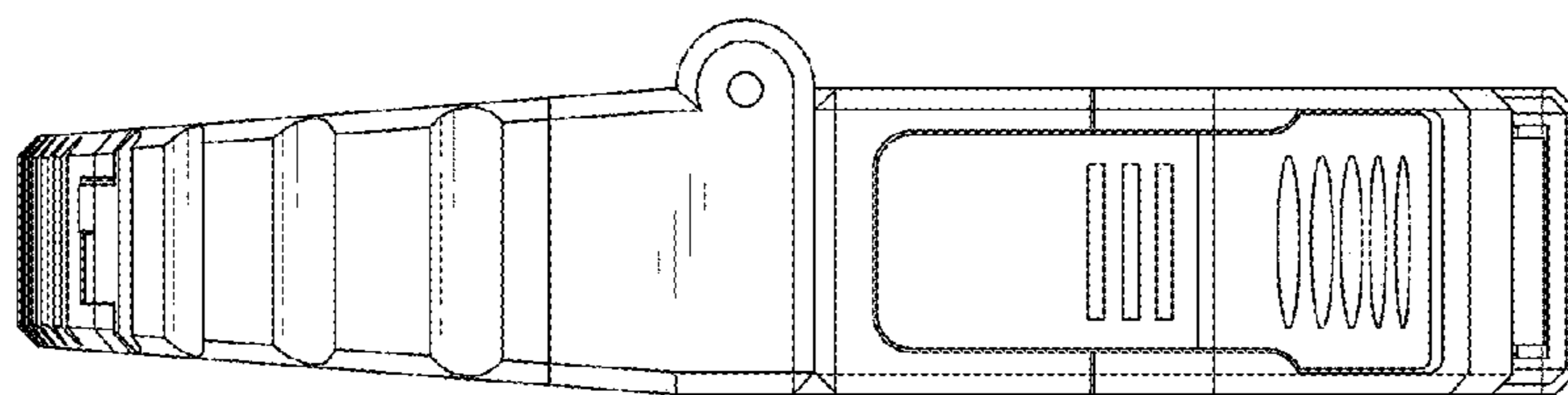


FIG. 7