



US00D750819S

(12) **United States Design Patent**  
**Schneider**

(10) **Patent No.:** **US D750,819 S**  
(45) **Date of Patent:** **\*\* Mar. 1, 2016**

- (54) **HEADLIGHT FOR A VEHICLE**
- (71) Applicant: **Bayerische Motoren Werke Aktiengesellschaft, Munich (DE)**
- (72) Inventor: **Alexander Schneider, Munich (DE)**
- (73) Assignee: **Bayerische Motoren Werke Aktiengesellschaft, Munich (DE)**
- (\*\*) Term: **15 Years**
- (21) Appl. No.: **29/535,098**
- (22) Filed: **Aug. 4, 2015**

**Related U.S. Application Data**

- (62) Division of application No. 29/489,240, filed on Apr. 29, 2014.

**Foreign Application Priority Data**

Oct. 31, 2013 (DE) ..... 40 2013 101 080

- (51) **LOC (10) Cl.** ..... **26-06**
- (52) **U.S. Cl.**  
USPC ..... **D26/28**

**Field of Classification Search**

USPC ..... D26/24–26, 28, 34, 37–39, 43–45, 50, D26/60, 61, 66–74, 85, 88, 89, 93, 94, 104, D26/105, 108, 109, 113, 118–125, D26/138–142; 362/145, 147, 150, 216, 362/217.01, 217.1, 218–220, 223, 362/249.01–249.05, 296.01, 296.05, 308, 362/317, 326, 327, 330, 331, 334, 335, 341, 362/347, 362, 364–366, 368–373, 458–463, 362/473–478, 485–487, 496, 509, 512, 523, 362/538, 539, 546–549, 640–644  
CPC ... F21S 48/00; F21S 48/1233; F21S 48/1258; F21S 48/20; F21S 48/10; F21S 48/13; B60Q 1/2607; B60Q 1/20; B60Q 1/26; B60Q 3/004  
See application file for complete search history.

(56) **References Cited**

U.S. PATENT DOCUMENTS

D321,406 S *	11/1991	Schlesselman .....	D26/24
D406,670 S *	3/1999	Yeh .....	D26/29
D481,477 S *	10/2003	Horowitz .....	D26/28
D482,807 S *	11/2003	Shiesh .....	D26/28
D486,596 S *	2/2004	Chen .....	D26/28
D486,928 S *	2/2004	Li .....	D26/28
D490,172 S *	5/2004	Yamamoto .....	
D490,550 S *	5/2004	Chen .....	D26/28
D493,006 S *	7/2004	Liu .....	D26/28
D496,112 S *	9/2004	Lin .....	D26/28
D499,202 S *	11/2004	Tsai .....	

(Continued)

FOREIGN PATENT DOCUMENTS

WO DM/072780 6/2010

*Primary Examiner* — Cynthia Ramirez

*Assistant Examiner* — Llorellys Martinez-Rivera

(74) *Attorney, Agent, or Firm* — Crowell & Moring LLP

(57) **CLAIM**

The ornamental design for a headlight for a vehicle, as shown.

**DESCRIPTION**

FIG. 1 is a front view of a headlight for a vehicle showing my new design;  
 FIG. 2 is a right perspective view thereof;  
 FIG. 3 is a left perspective view thereof;  
 FIG. 4 is a right side view thereof;  
 FIG. 5 is a left side view thereof;  
 FIG. 6 is a top view thereof;  
 FIG. 7 is a bottom view thereof; and,  
 FIG. 8 is a rear view thereof.

**1 Claim, 8 Drawing Sheets**



(56)

References Cited

U.S. PATENT DOCUMENTS

D510,636 S 10/2005 Yamamoto  
 D511,583 S 11/2005 Tanaka et al.  
 D539,454 S 3/2007 Sasaki et al.  
 D549,366 S 8/2007 Hovind et al.  
 D561,363 S 2/2008 Hsu  
 D566,867 S \* 4/2008 Yang ..... D26/28  
 D568,522 S \* 5/2008 Engel ..... D26/74  
 D570,016 S \* 5/2008 Hsu ..... D26/28  
 D577,448 S \* 9/2008 Chen ..... D26/28  
 D585,575 S \* 1/2009 Crispin ..... D26/28  
 D587,394 S 2/2009 Pickard et al.  
 D600,838 S 9/2009 Kuboshima et al.  
 D614,332 S 4/2010 Lamm et al.  
 D617,017 S 6/2010 Grebert et al.  
 D625,443 S 10/2010 Herbin et al.  
 D653,370 S 1/2012 Grebert et al.  
 D654,197 S 2/2012 Szews et al.

D667,973 S 9/2012 Schneider  
 D670,012 S \* 10/2012 Herbin ..... D26/28  
 D670,839 S \* 11/2012 Smarslik ..... D26/28  
 D675,760 S 2/2013 Schneider  
 D681,242 S \* 4/2013 Tsai ..... D26/28  
 D681,244 S \* 4/2013 Tsai ..... D26/28  
 D683,487 S \* 5/2013 Scheinhutte ..... D26/28  
 D683,488 S \* 5/2013 Scheinhutte ..... D26/28  
 D692,168 S \* 10/2013 Harrington, Jr. .... D26/28  
 D694,920 S 12/2013 Jurgens et al.  
 D708,373 S \* 7/2014 Kani ..... D26/28  
 D711,023 S \* 8/2014 Wu ..... D26/28  
 D711,570 S \* 8/2014 Wu ..... D26/28  
 D712,079 S \* 8/2014 DiPenti ..... D26/28  
 D713,070 S \* 9/2014 Teranishi ..... D26/28  
 D724,244 S 3/2015 Hayez et al.  
 D724,255 S 3/2015 Herbin et al.  
 D728,138 S 4/2015 Christ  
 2014/0211491 A1 7/2014 Harrington, Jr.

\* cited by examiner



Fig. 1

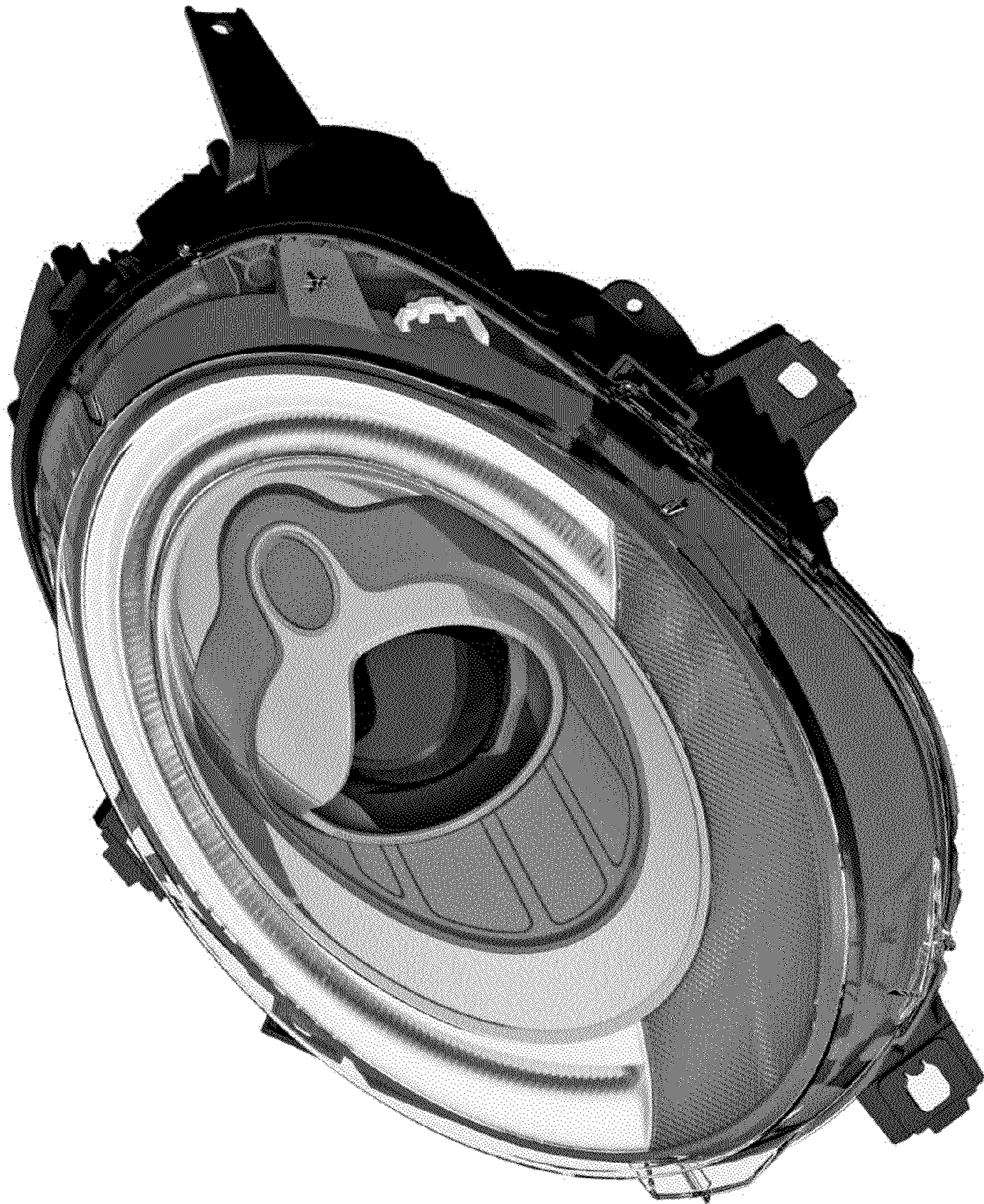


Fig. 2



Fig. 3

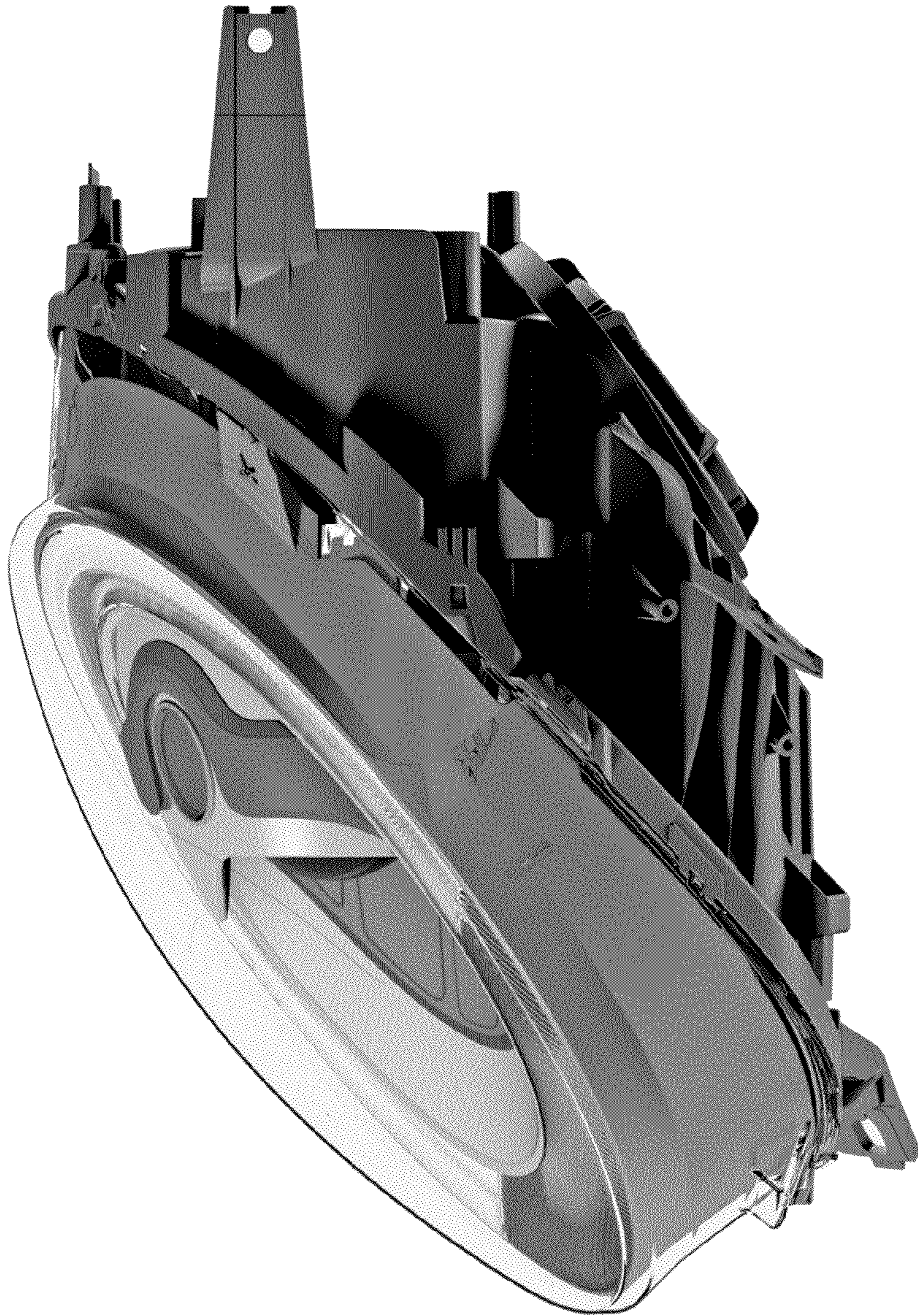


Fig. 4

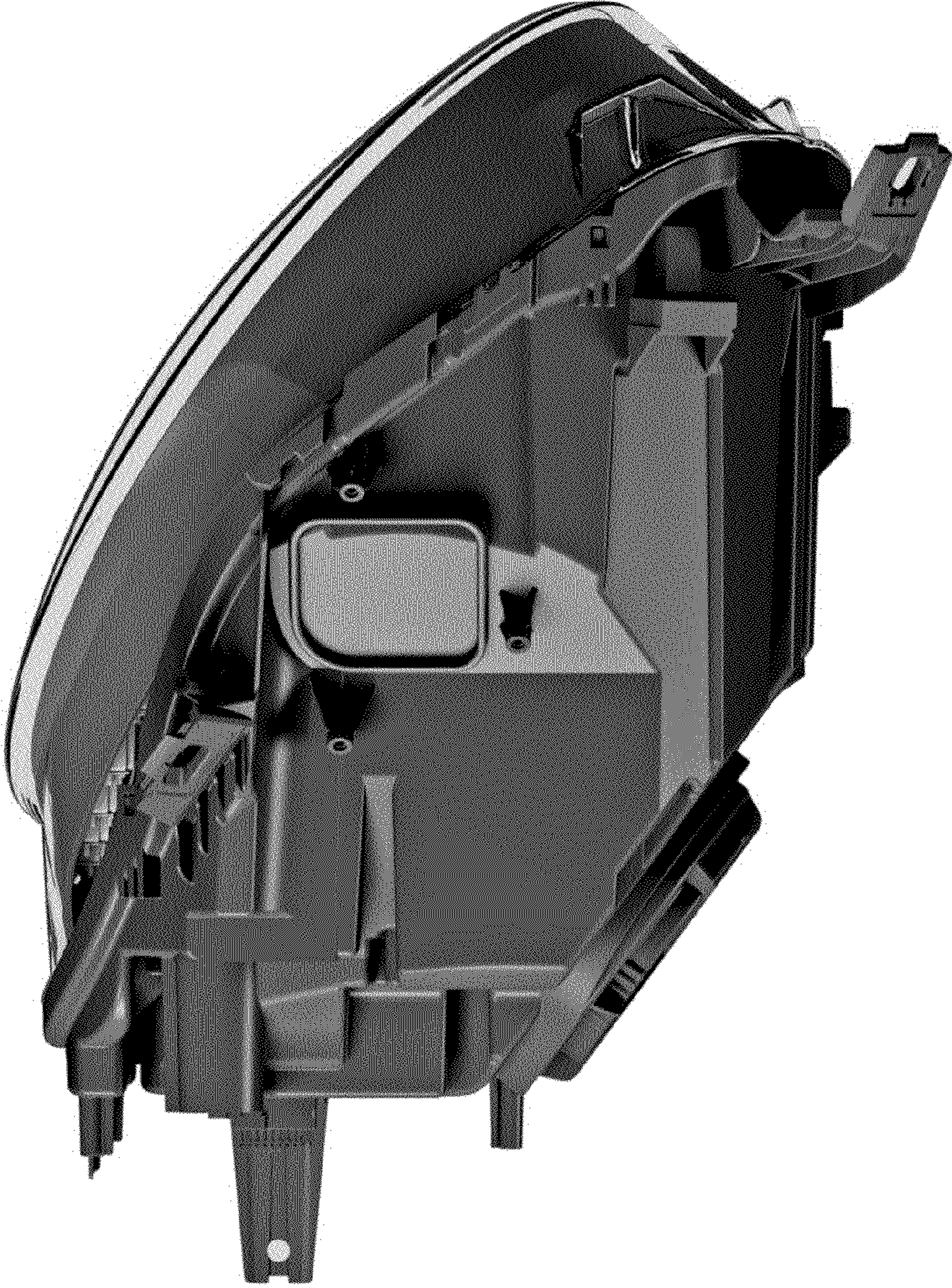


Fig. 5

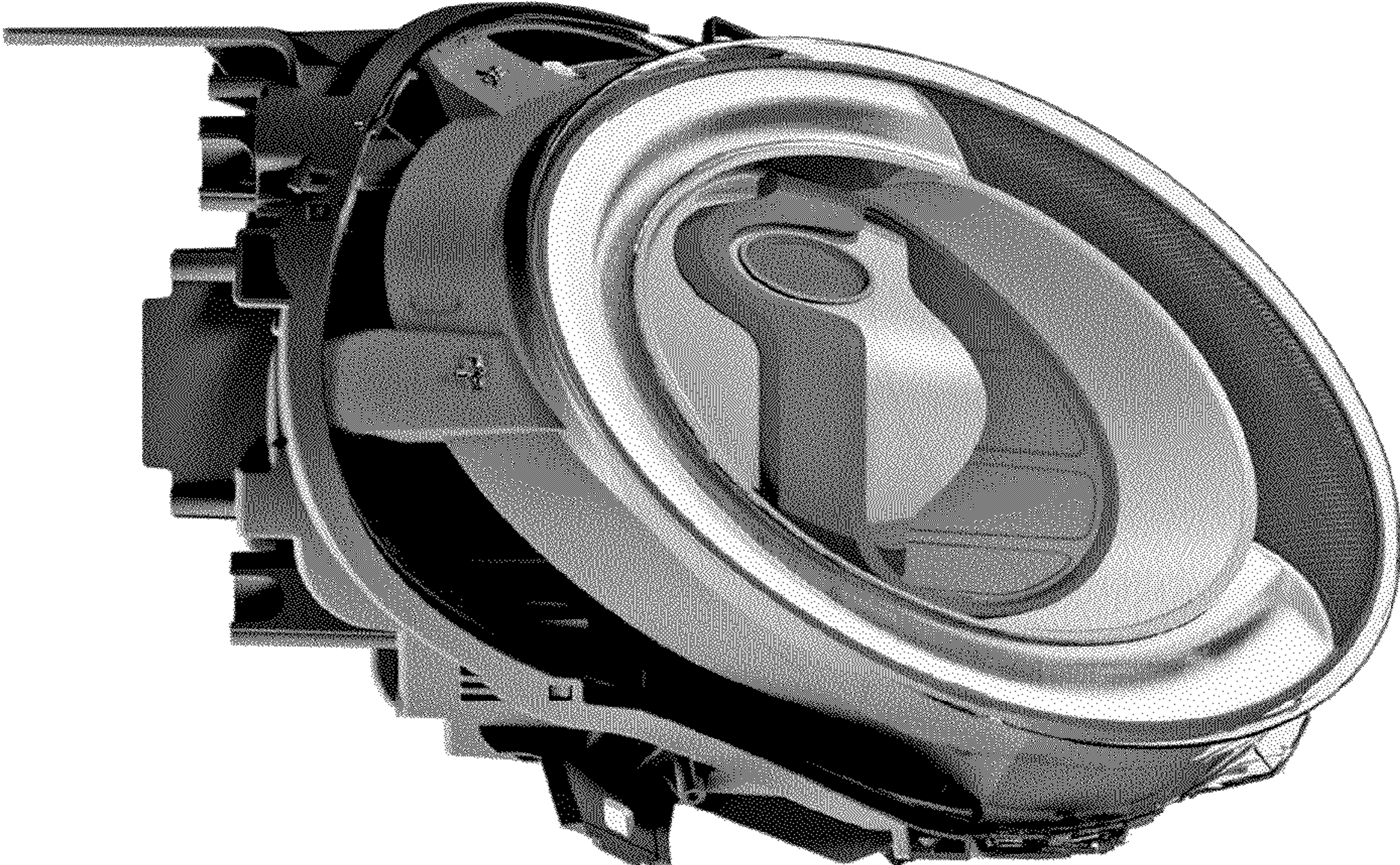


Fig. 6



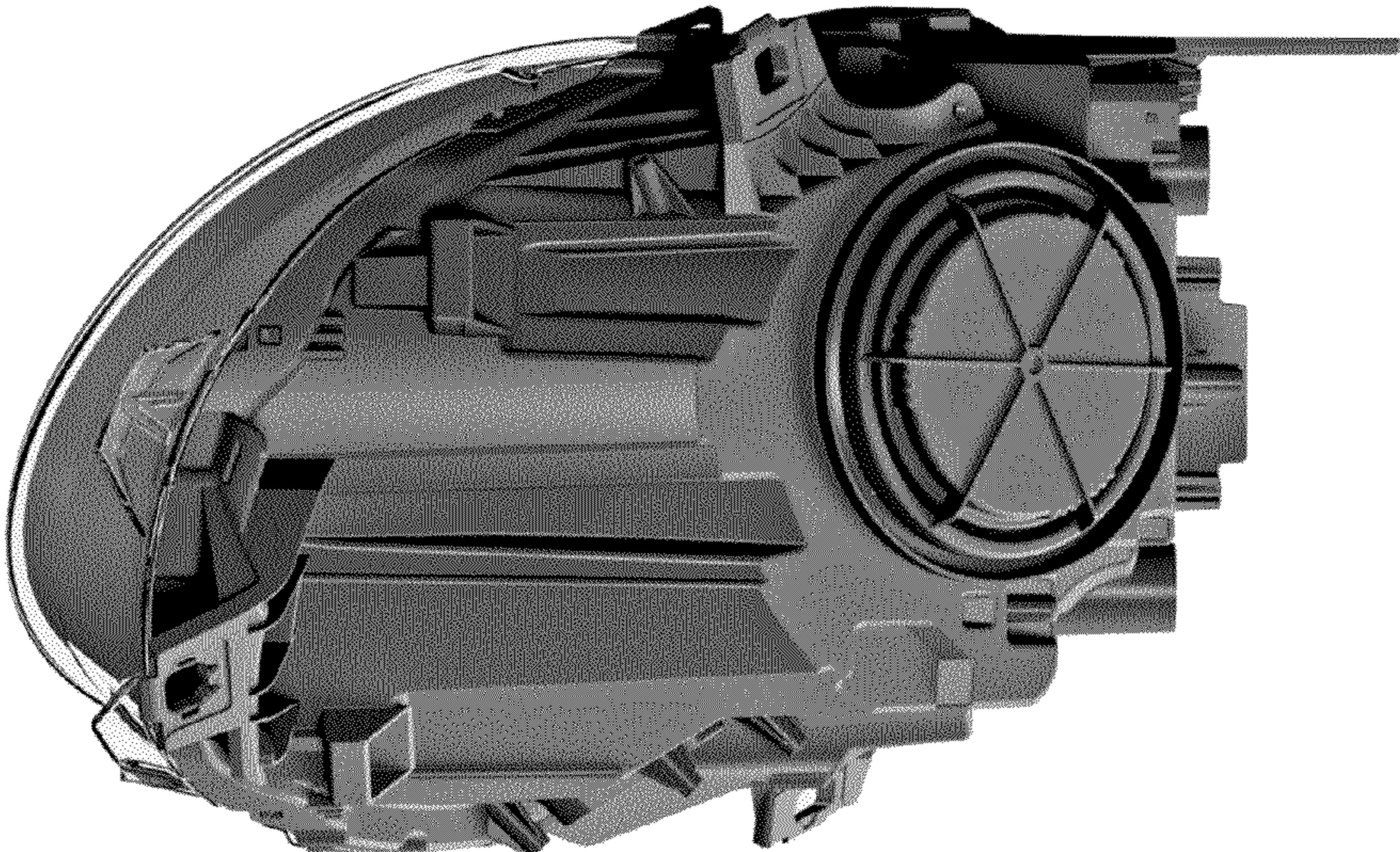


Fig. 7

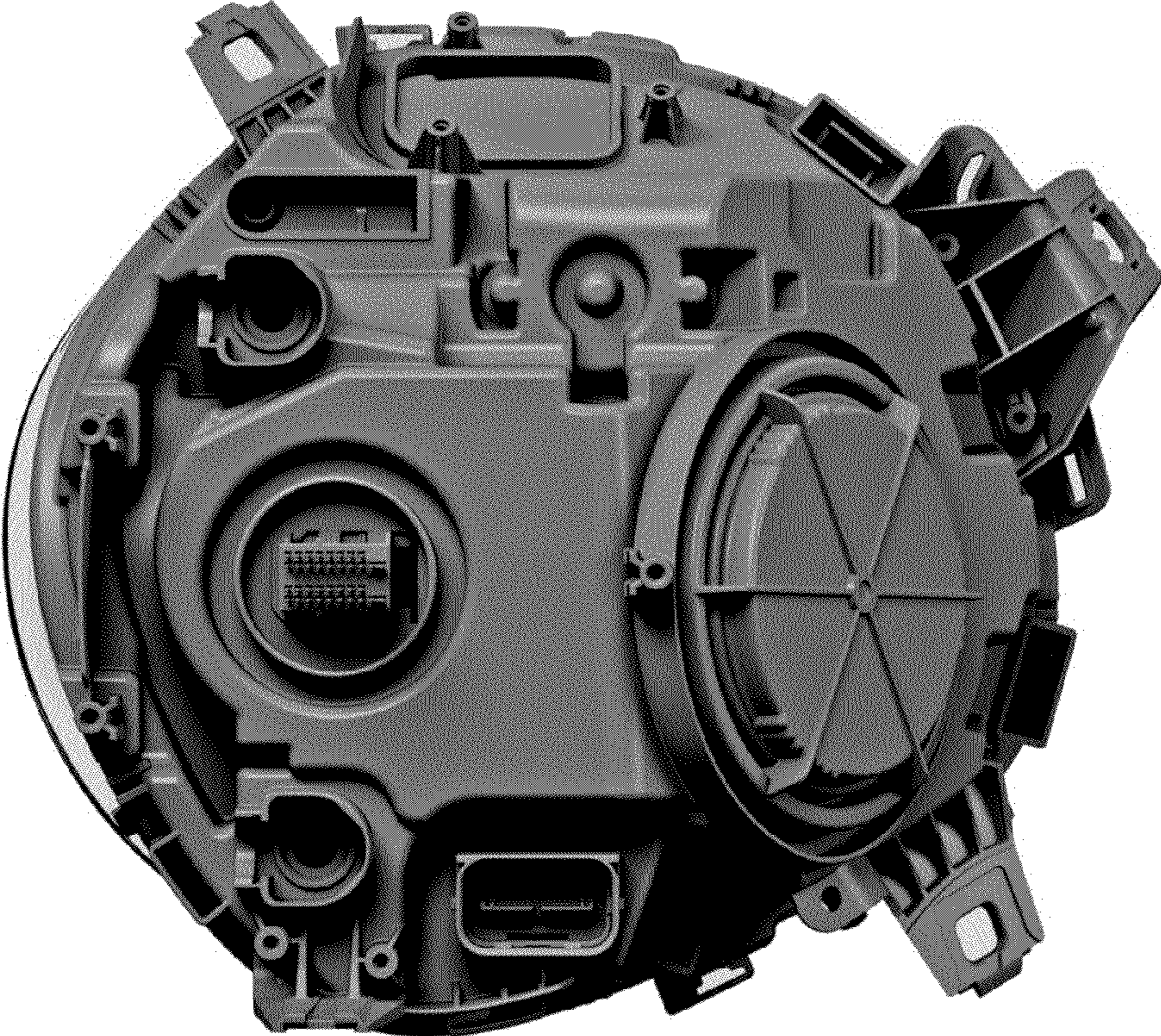


Fig. 8