



US00D750814S

(12) **United States Design Patent**  
**Moyal**

(10) **Patent No.:** **US D750,814 S**  
(45) **Date of Patent:** **\*\* Mar. 1, 2016**

(54) **GEL CANDLE**

(71) Applicant: **Kimberly L. Moyal**, Arlington Heights, IL (US)

(72) Inventor: **Kimberly L. Moyal**, Arlington Heights, IL (US)

(\*\*) Term: **14 Years**

(21) Appl. No.: **29/460,523**

(22) Filed: **Jul. 11, 2013**

(51) **LOC (10) Cl.** ..... **15-01**

(52) **U.S. Cl.**  
USPC ..... **D26/6; D26/22**

(58) **Field of Classification Search**  
USPC ..... D26/6-23; 431/299, 125, 126, 292, 431/289; D11/131, 131.1, 157; 44/268  
CPC ..... F21V 35/00; F21V 35/003; F21V 21/06; F21V 15/01; F21V 1/00; F21V 21/0824; F21V 19/02; F21V 21/00; F21V 21/005; F21V 21/02; F21V 21/08; F21V 21/0808; F21V 21/0832; F21V 21/088; F21V 21/116  
See application file for complete search history.

(56) **References Cited**

**U.S. PATENT DOCUMENTS**

D411,891 S	7/1999	Bell et al.	
D423,693 S *	4/2000	Toscano et al.	D26/7
D423,694 S *	4/2000	Ruffolo et al.	D26/7
D424,219 S *	5/2000	Toscano et al.	D26/7
D426,004 S *	5/2000	Toscano et al.	D26/7

6,214,063 B1 *	4/2001	DeStefano et al.	44/275
6,241,512 B1 *	6/2001	Freeman et al.	431/291
D461,916 S *	8/2002	Araujo	D26/6
D465,037 S *	10/2002	McCoy	D26/6
6,652,606 B1 *	11/2003	Zimmerman	44/268
D699,872 S *	2/2014	Karpowicz et al.	D26/6
2002/0150854 A1 *	10/2002	Riches	431/291
2003/0049578 A1 *	3/2003	Freeman et al.	431/291

\* cited by examiner

*Primary Examiner* — T. Chase Nelson

*Assistant Examiner* — Ania Aman

(74) *Attorney, Agent, or Firm* — Tracy Jong Law Firm; Tracy P. Jong; Cheng Ning Jong

(57) **CLAIM**

The ornamental design for gel candle, as shown and described.

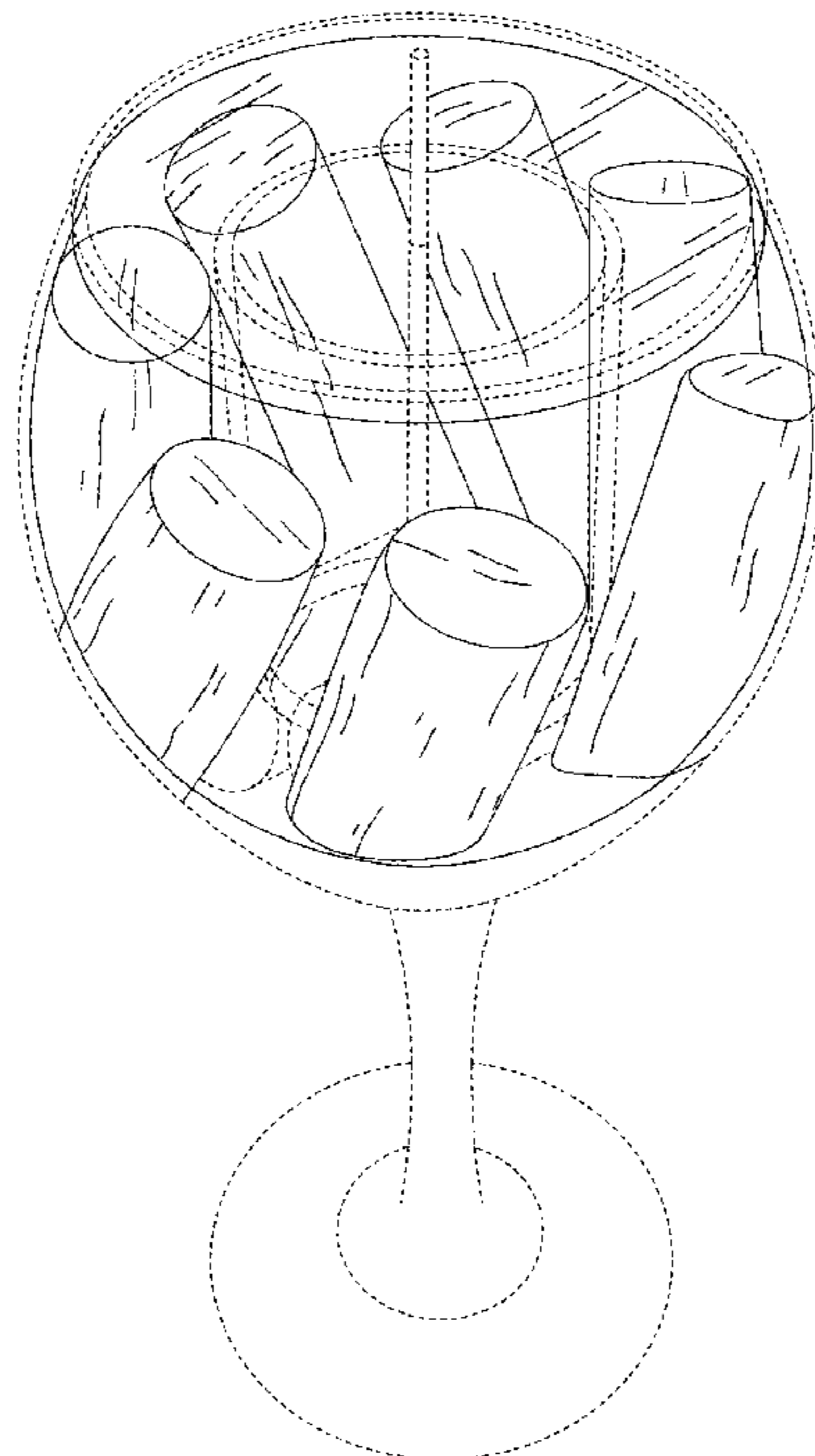
**DESCRIPTION**

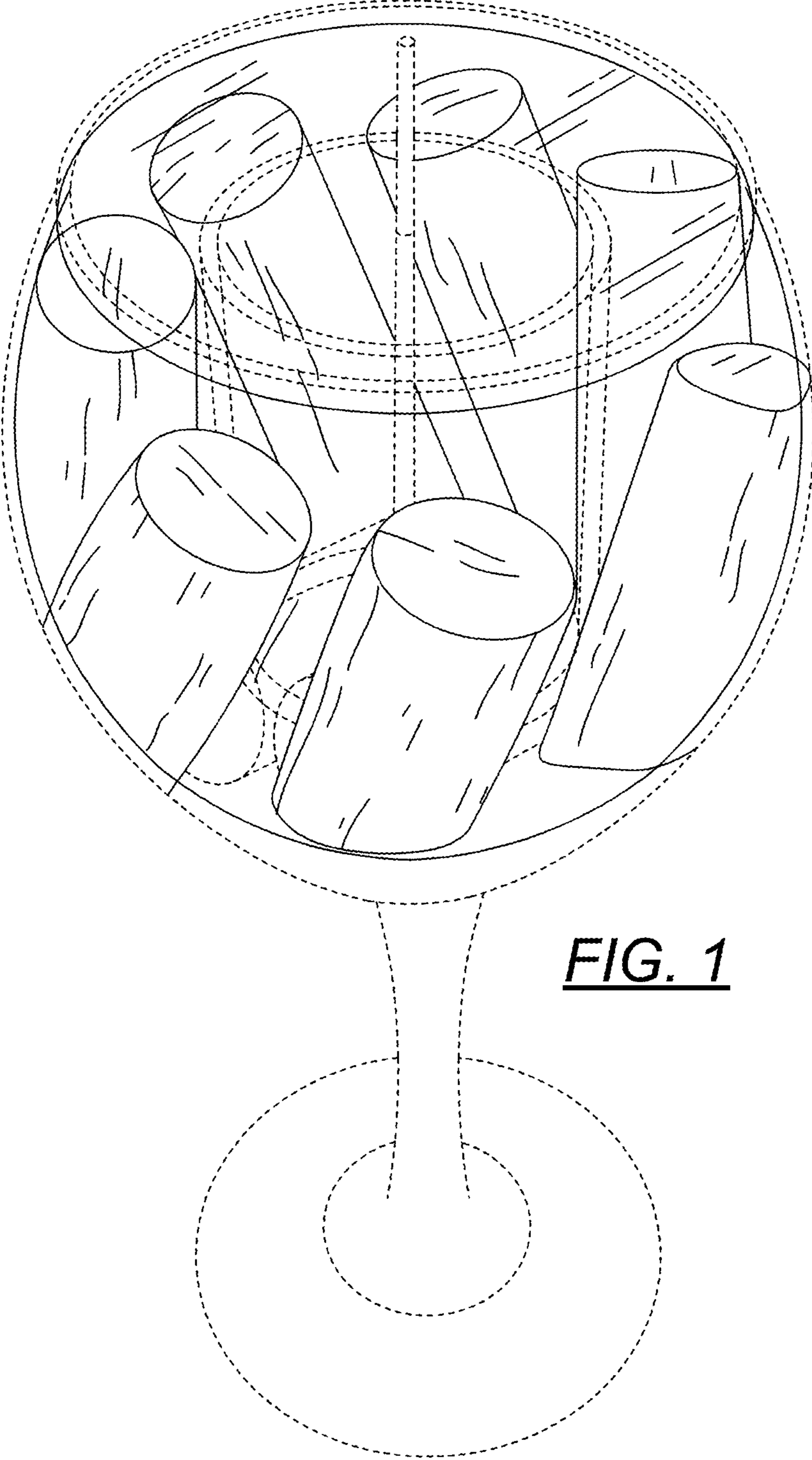
FIG. 1 is a top perspective view gel candle showing my new design, wherein wine corks are disposed in a slanted fashion within a votive vessel and a first unclaimed material is disposed on a bottom portion of the votive vessel.

FIG. 2 is a side perspective view thereof; and, FIG. 3 is a side perspective view of the gel candle, wherein a second unclaimed material is disposed on a bottom portion of the votive vessel.

The single dashed lines represent outer portions of a gel candle, an inner vessel and a wick and form no part of the claim. The characteristic feature of the design resides with the gel candle having materials embedded therein.

**1 Claim, 3 Drawing Sheets**





**FIG. 1**

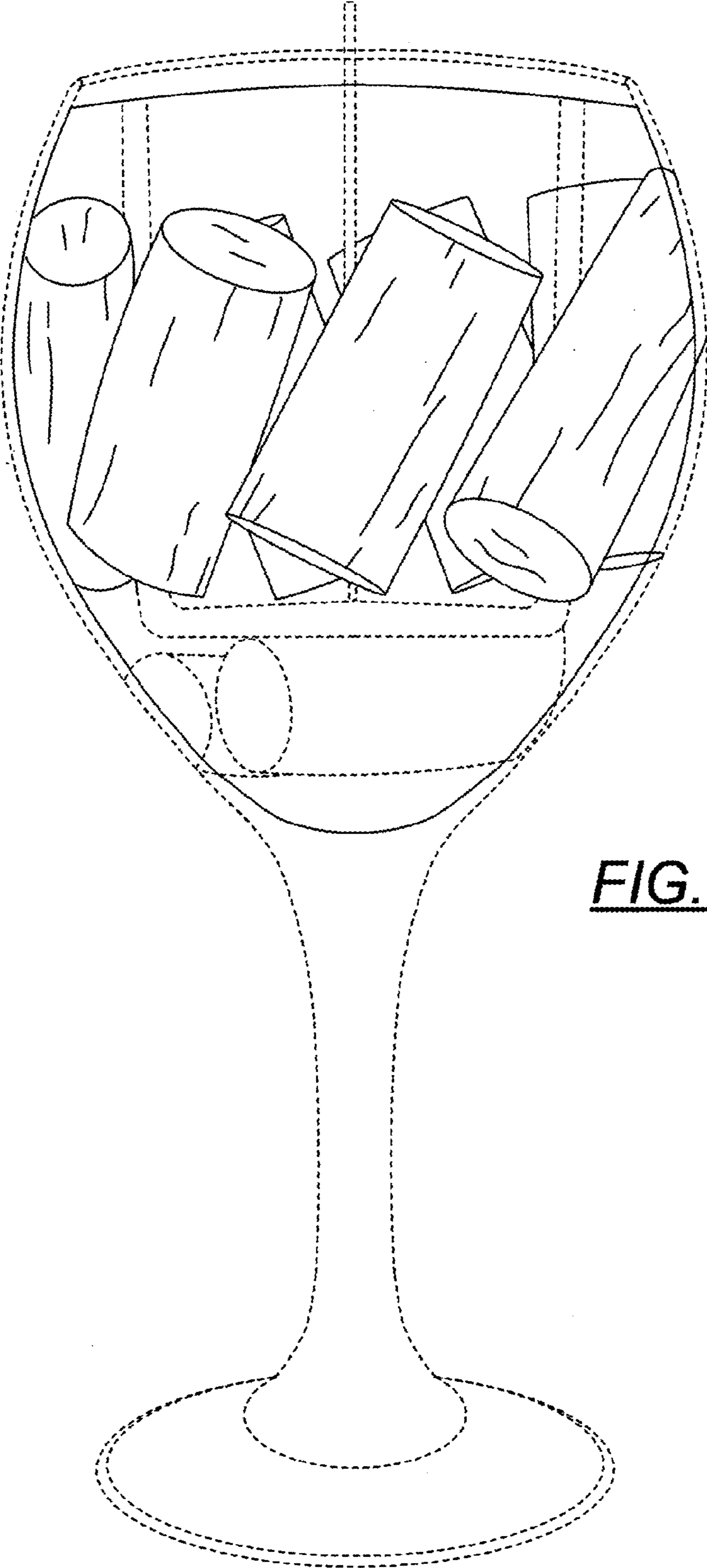


FIG. 2

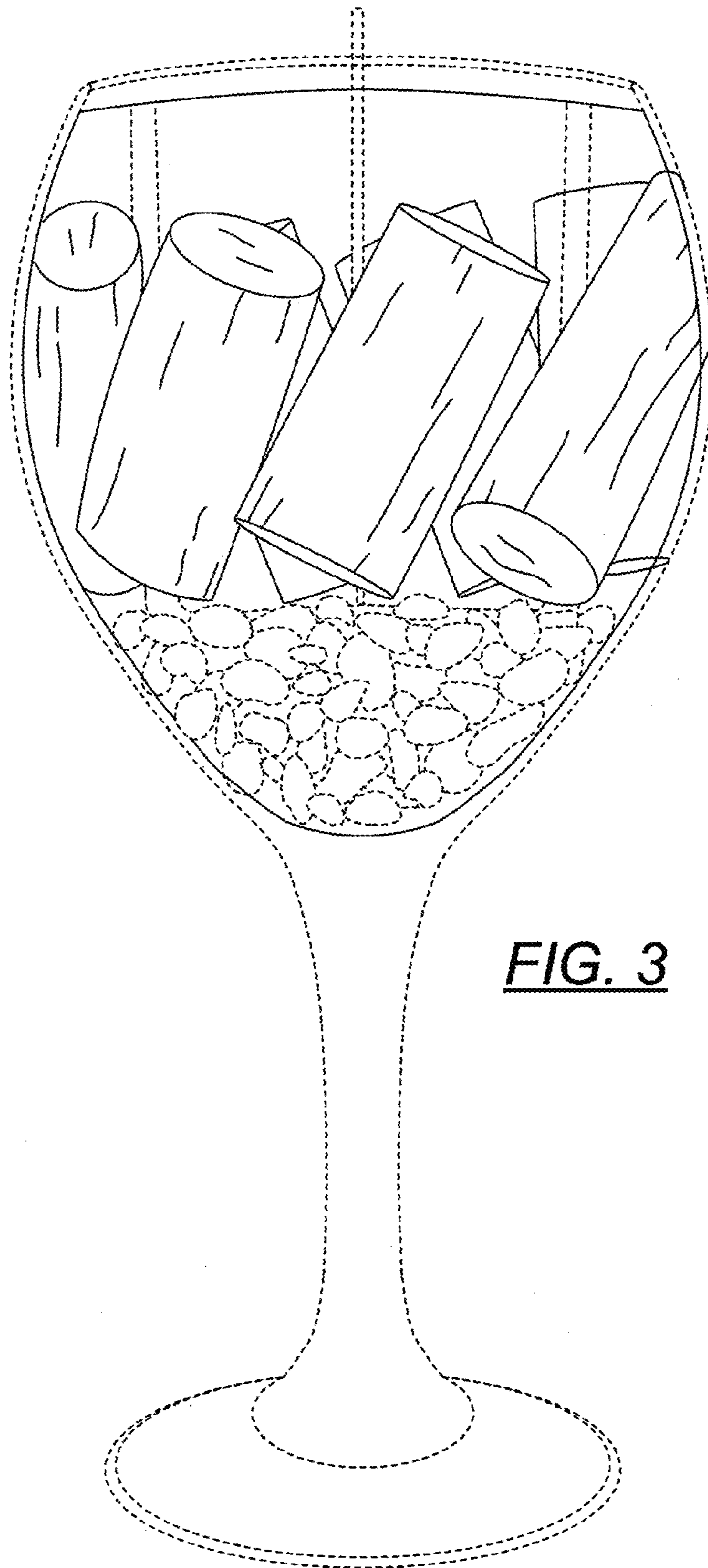


FIG. 3