



US00D750813S

(12) **United States Design Patent**  
**Wugang**

(10) **Patent No.:** **US D750,813 S**  
(45) **Date of Patent:** **\*\* Mar. 1, 2016**

(54) **BULB**

(71) Applicant: **SOPHIA ELECTRIC**, McLean, VA  
(US)

(72) Inventor: **Richard Wugang**, McLean, VA (US)

(\*\*) Term: **14 Years**

(21) Appl. No.: **29/491,103**

(22) Filed: **May 16, 2014**

(51) **LOC (10) Cl.** ..... **26-04**

(52) **U.S. Cl.**  
USPC ..... **D26/2**

(58) **Field of Classification Search**  
USPC ..... D26/1-4; 313/313, 315, 316, 317, 318,  
313/493; 315/52, 53, 56, 57, 58  
See application file for complete search history.

(56) **References Cited**

U.S. PATENT DOCUMENTS

D433,167 S *	10/2000	Yim .....	D26/2
D463,584 S *	9/2002	Yim .....	D26/2
D688,395 S *	8/2013	Bukkems et al. ....	D26/2

\* cited by examiner

*Primary Examiner* — Marcus Jackson

(74) *Attorney, Agent, or Firm* — Feng Tian

(57) **CLAIM**

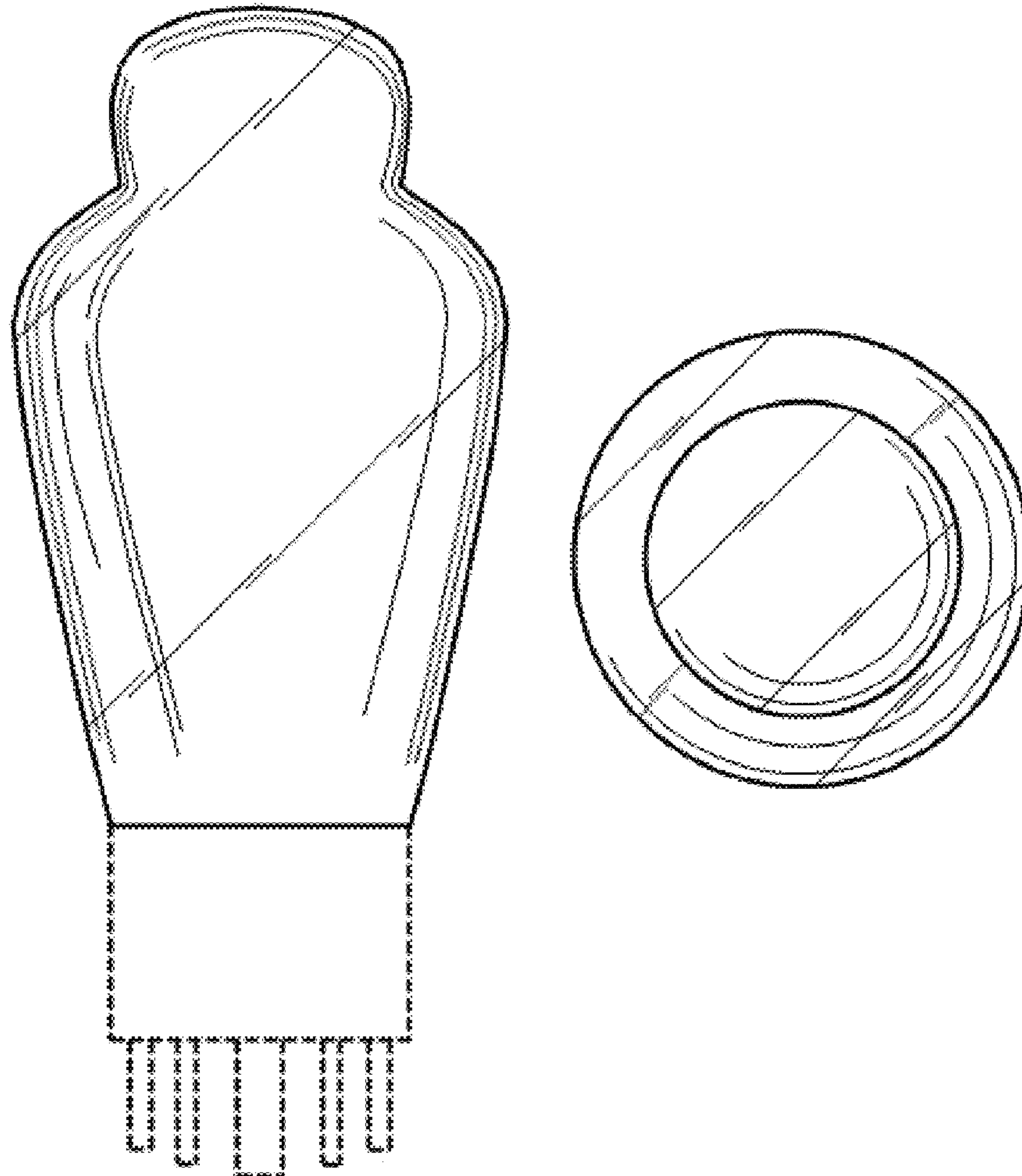
The ornamental design for a bulb, as shown and described.

**DESCRIPTION**

FIG. 1 is a front, rear, right and left side view of a bulb in accordance with the present disclosure; FIG. 2 is a top side view thereof; and, FIG. 3 is a bottom side view thereof.

The broken lines are for illustrative purposes only and form on part of the claimed design.

**1 Claim, 1 Drawing Sheet**



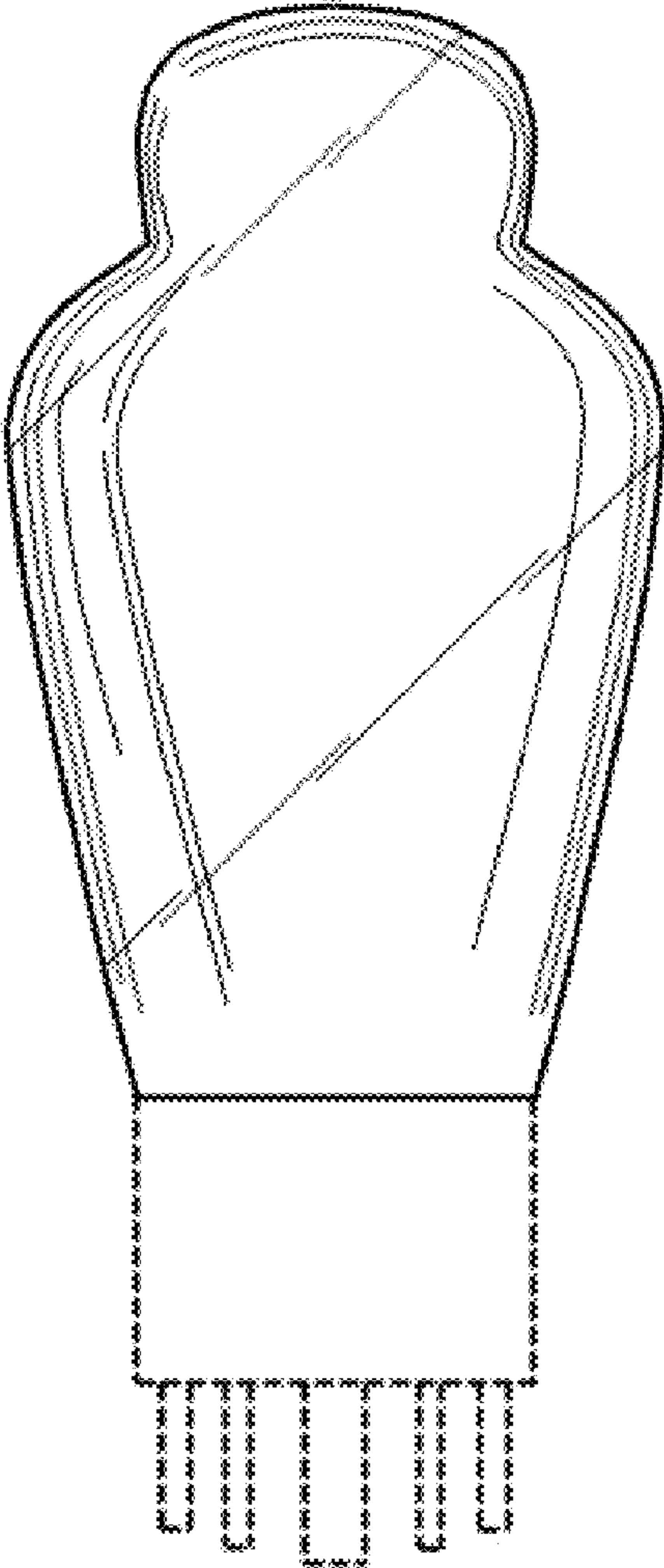


FIG. 1

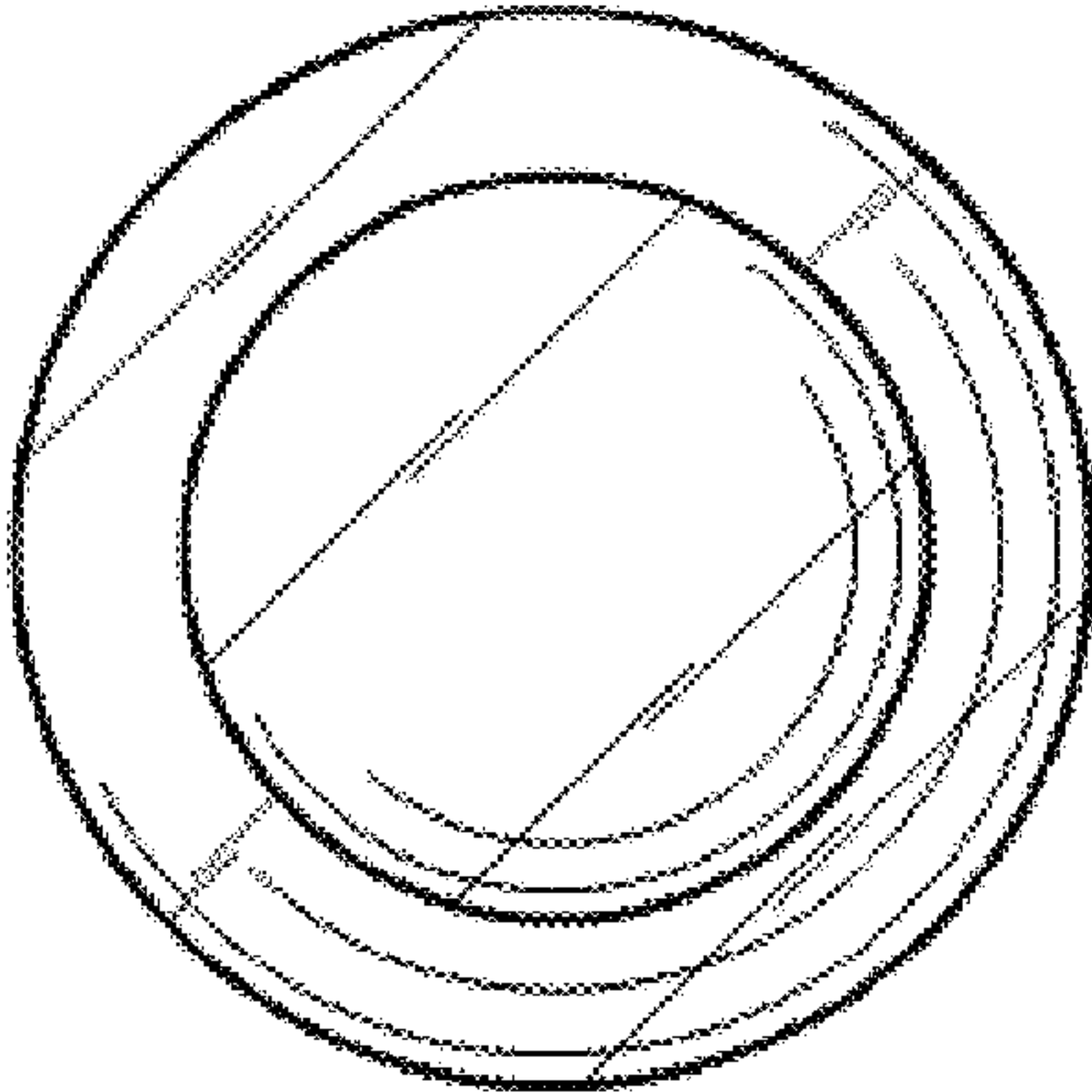


FIG. 2

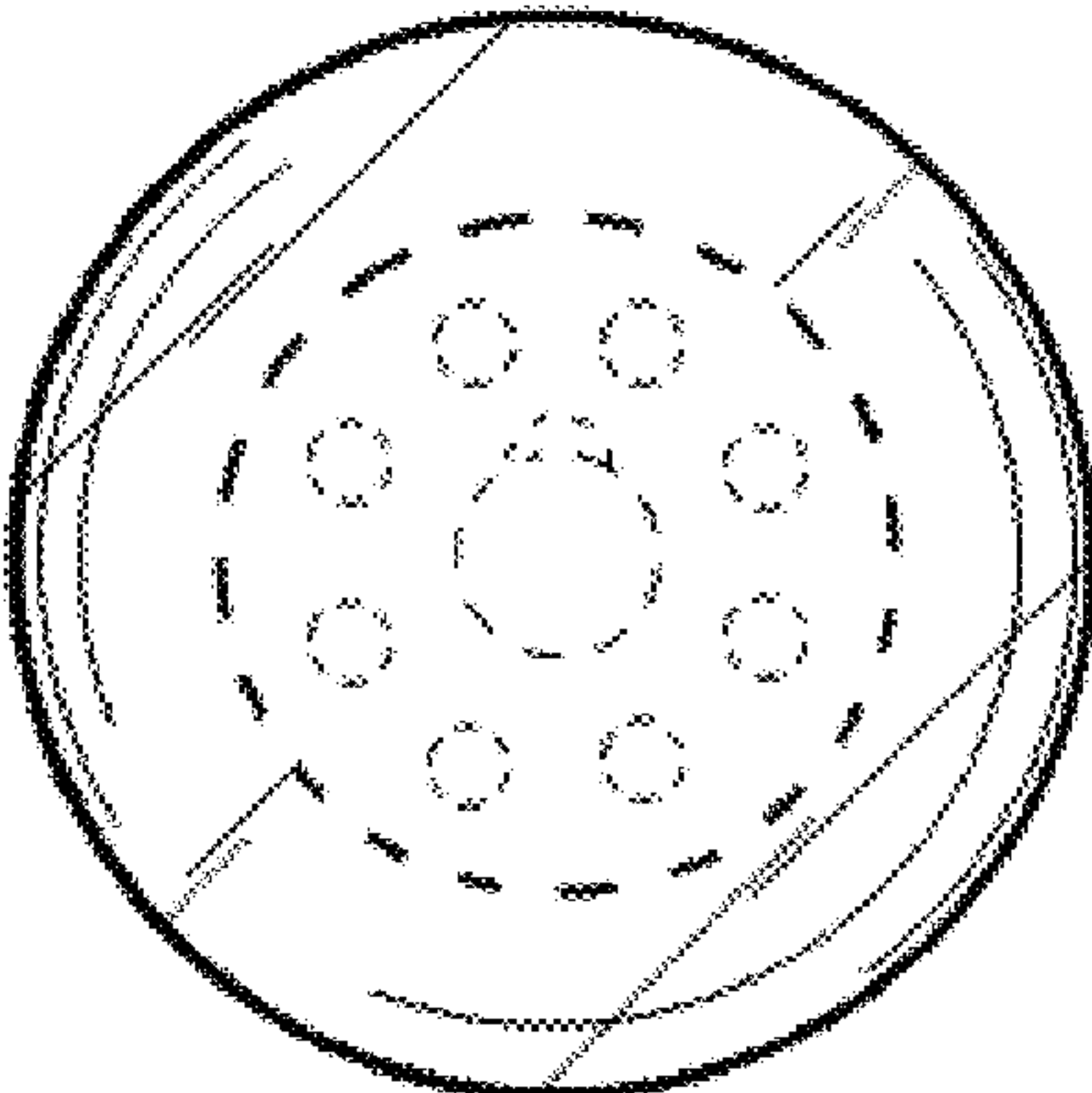


FIG. 3