



US00D750811S

(12) **United States Design Patent**
Peters

(10) **Patent No.:** **US D750,811 S**
(45) **Date of Patent:** **** Mar. 1, 2016**

- (54) **MODULAR WALL PANEL**
- (71) Applicant: **Robert F. Peters**, Las Vegas, NV (US)
- (72) Inventor: **Robert F. Peters**, Las Vegas, NV (US)
- (**) Term: **14 Years**
- (21) Appl. No.: **29/487,697**
- (22) Filed: **Apr. 10, 2014**
- (51) **LOC (10) Cl.** **25-01**
- (52) **U.S. Cl.**
USPC **D25/158**
- (58) **Field of Classification Search**
USPC D25/138, 157, 158
CPC E04B 2/74; E04B 2/90; E04B 2/7827;
E04B 2/7401; E04B 1/12
See application file for complete search history.

3,777,431 A *	12/1973	Bowman	E04C 2/32	52/284
4,299,067 A *	11/1981	Bertschi	E04B 1/6162	52/562
					403/296
4,644,992 A	2/1987	Jerila			
D299,872 S *	2/1989	Jennings	D25/157	
4,807,329 A	2/1989	Mossalgue			
6,089,941 A	7/2000	Glickman et al.			
6,718,709 B2	4/2004	Koutras et al.			
6,854,221 B1	2/2005	Michaels			
D596,320 S *	7/2009	Cantley	D25/158	
2013/0239507 A1	9/2013	Flemming			

* cited by examiner

Primary Examiner — Doris Clark

(74) *Attorney, Agent, or Firm* — Lightbulb IP, LLC

(57) **CLAIM**

The ornamental design for a modular wall panel, as shown and described.

DESCRIPTION

FIG. 1 is a perspective view of a modular wall panel.
FIG. 2 is a front view and back view of a modular wall panel.
FIG. 3 is a side view and opposite side view of a modular wall panel; and,
FIG. 4 is a top view and bottom view of a modular wall panel.

1 Claim, 2 Drawing Sheets

- (56) **References Cited**
U.S. PATENT DOCUMENTS
2,325,254 A * 7/1943 Lefebure E04B 2/7401
52/241
2,799,118 A 7/1957 Lullo
2,826,906 A 3/1958 Rice
3,733,756 A * 5/1973 Butler E04B 2/7401

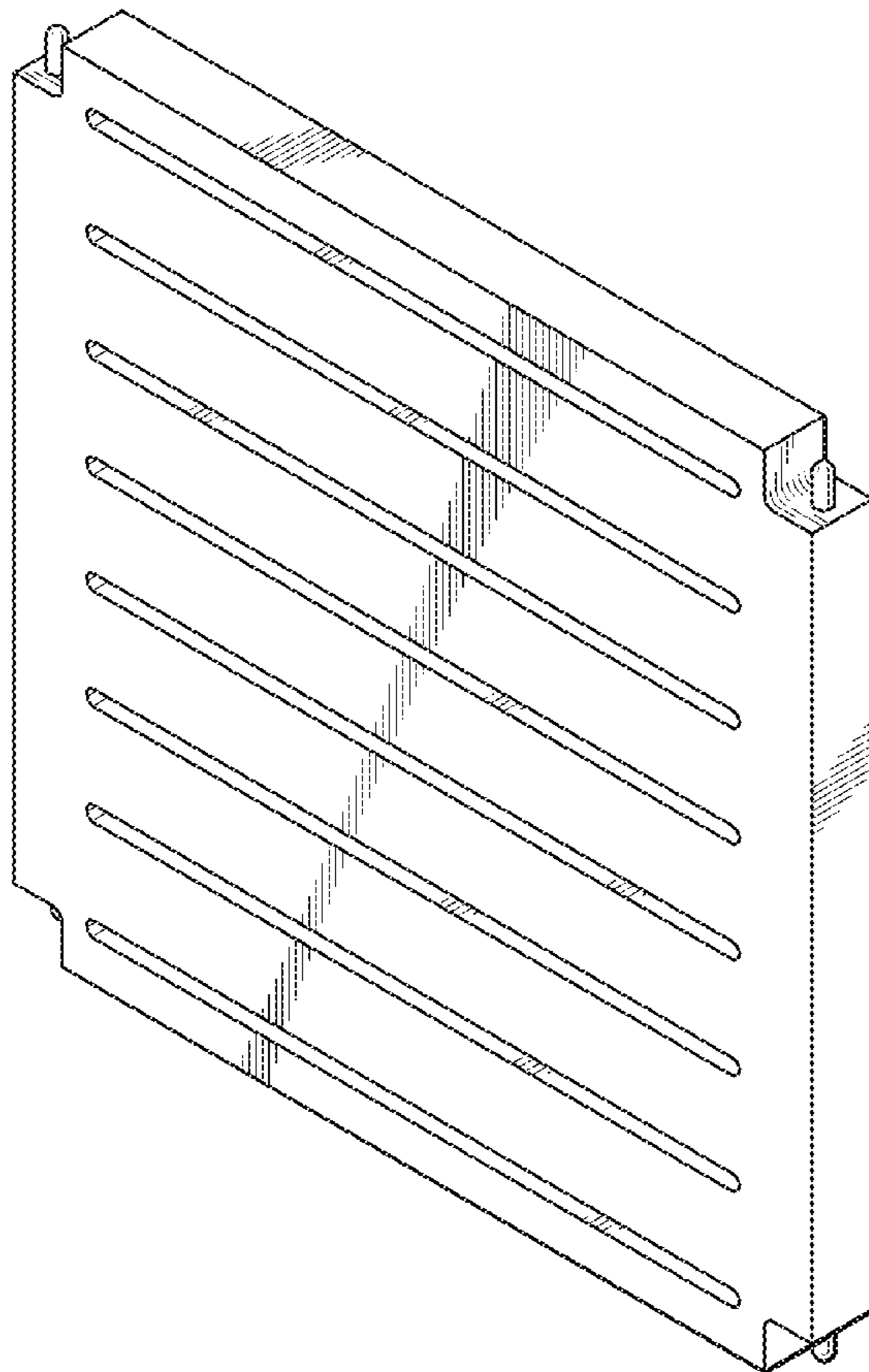


FIG. 1

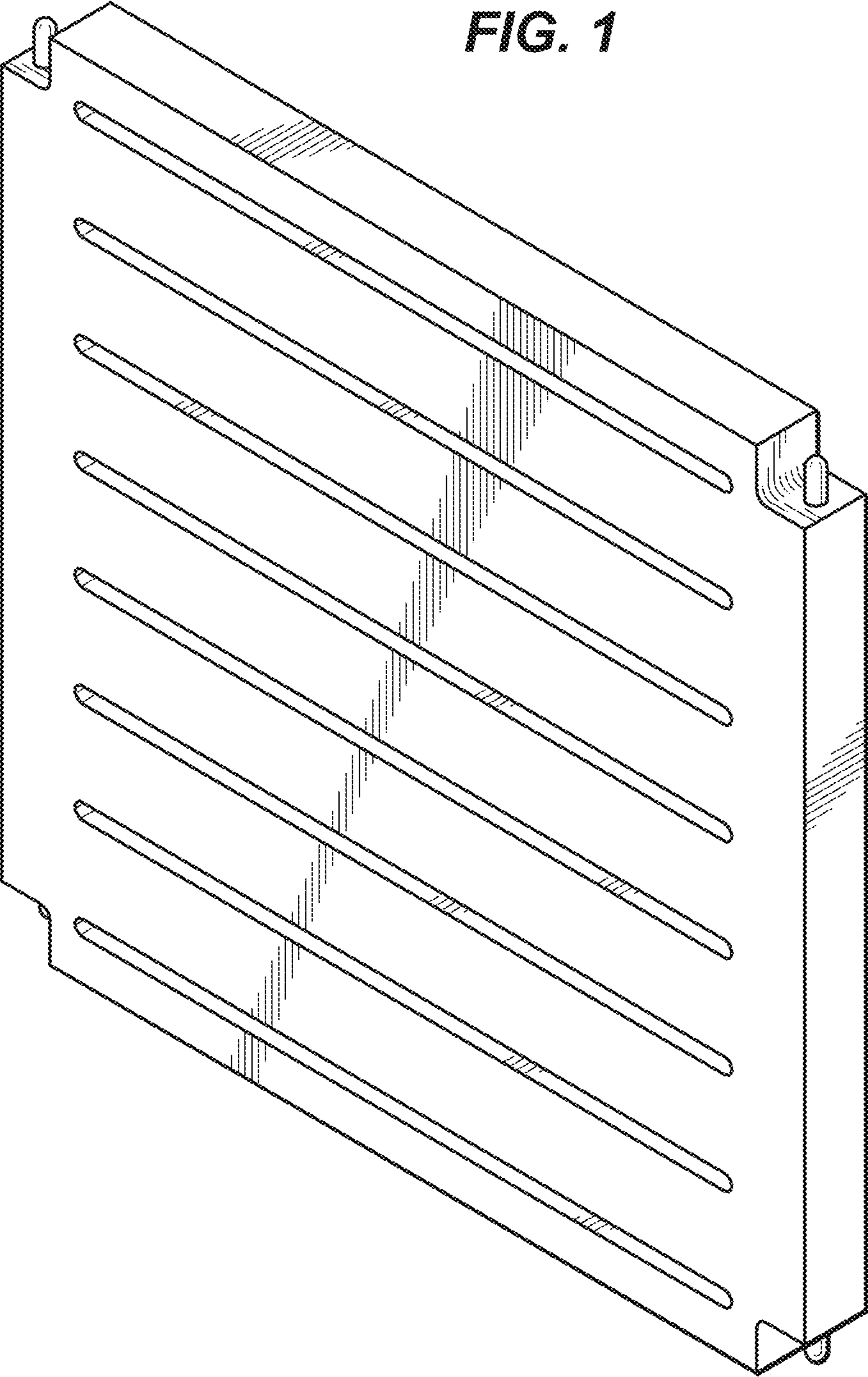


FIG. 2

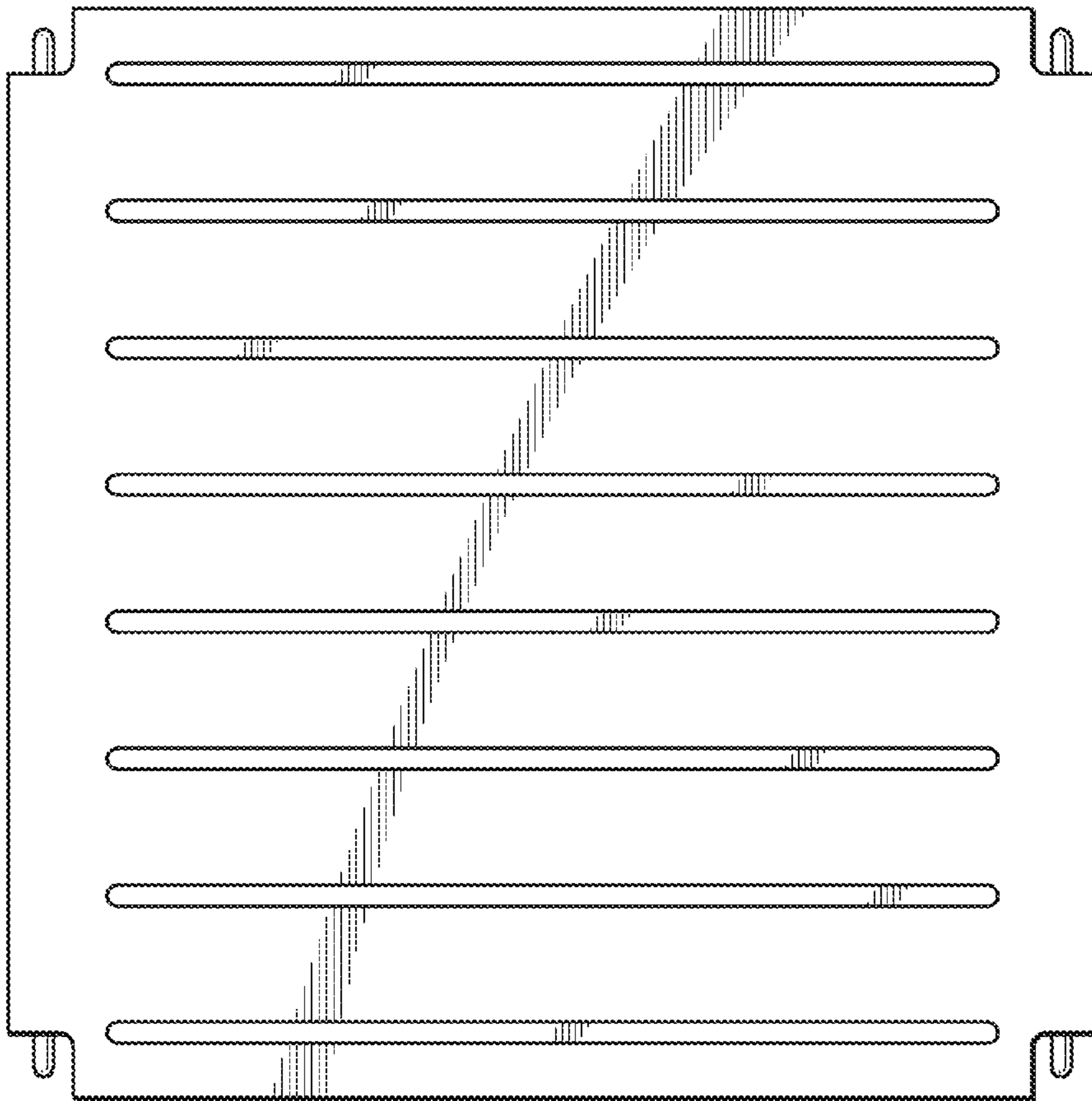


FIG. 3



FIG. 4

