



US00D750809S

(12) **United States Design Patent**  
**Shaw**

(10) **Patent No.:** **US D750,809 S**  
(45) **Date of Patent:** **\*\* Mar. 1, 2016**

(54) **TRIM ASSEMBLY**  
(71) Applicant: **CertainTeed Corporation**, Vally Forge,  
PA (US)  
(72) Inventor: **Robert D. Shaw**, Parma, MI (US)  
(73) Assignee: **CERTAINTEED CORPORATION**,  
Malvern, PA (US)  
(\*\*) Term: **14 Years**

D624,212 S \* 9/2010 Sawyer ..... D25/136  
8,266,865 B2 9/2012 Neuhofer, Jr.  
8,375,660 B2 2/2013 Nolan et al.  
8,495,844 B1 \* 7/2013 Johnson, Sr. .... E04F 19/061  
52/238.1  
2002/0059760 A1 5/2002 Heard et al.  
2003/0121226 A1 7/2003 Bolduc  
2003/0145538 A1 8/2003 Kerscher  
2005/0262798 A1 12/2005 Pringle et al.  
2006/0096203 A1 5/2006 Weinstein  
2006/0260247 A1 11/2006 Monteer  
2007/0094958 A1 5/2007 Rogers  
2007/0256376 A1 \* 11/2007 Vaes ..... E04F 19/0495  
52/211  
2009/0013636 A1 1/2009 Wilson  
2012/0328823 A1 12/2012 Monteer  
2013/0047532 A1 2/2013 Armacost  
2014/0096472 A1 4/2014 Schaefer

(21) Appl. No.: **29/497,721**  
(22) Filed: **Jul. 28, 2014**  
(51) **LOC (10) Cl.** ..... **25-01**  
(52) **U.S. Cl.**  
USPC ..... **D25/136**  
(58) **Field of Classification Search**  
USPC ..... D25/136  
See application file for complete search history.

\* cited by examiner

*Primary Examiner* — Doris Clark  
(74) *Attorney, Agent, or Firm* — Abel Law Group, LLP;  
Alexander H. Plache

(56) **References Cited**  
U.S. PATENT DOCUMENTS

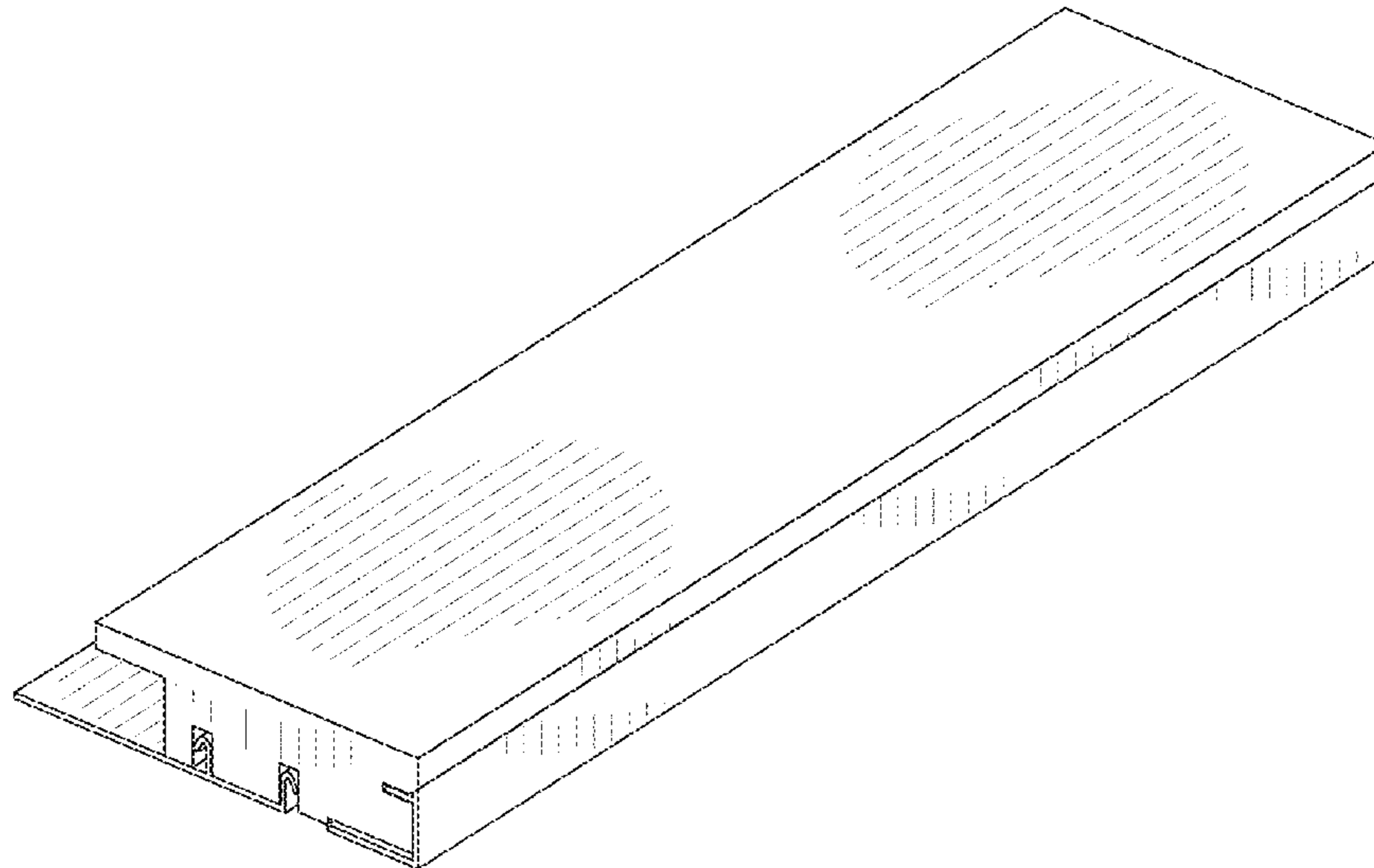
2,000,243 A \* 5/1935 Manske ..... E04B 2/825  
174/495  
3,757,483 A \* 9/1973 Torbett ..... E04F 13/0864  
52/522  
5,090,174 A 2/1992 Fragale  
5,222,343 A 6/1993 Anderson  
5,836,113 A \* 11/1998 Bachman ..... E04D 13/158  
52/287.1  
6,112,481 A 9/2000 Schiedegger et al.  
6,148,584 A 11/2000 Wilson  
6,219,980 B1 4/2001 Peck, Jr.  
6,287,046 B1 9/2001 Neuhofer, Jr.  
6,393,779 B1 5/2002 Boldt  
6,560,944 B1 5/2003 Wilson  
6,745,523 B2 6/2004 Petta  
6,904,726 B2 6/2005 Heard et al.  
7,111,433 B2 9/2006 Kerscher  
7,454,865 B2 11/2008 Kerscher

(57) **CLAIM**  
I claim the ornamental design for a trim assembly, as shown  
and described.

**DESCRIPTION**

FIG. 1 is a top perspective view of a trim assembly showing  
my new design.  
FIG. 2 is a left side view thereof.  
FIG. 3 is a right side view thereof.  
FIG. 4 is a top plan view thereof.  
FIG. 5 is a bottom plan view thereof.  
FIG. 6 is a front elevation view thereof; and,  
FIG. 7 is a rear elevation view thereof.  
The present invention relates in general to cladding for build-  
ings and, in particular, to a trim assembly for building prod-  
ucts.

**1 Claim, 5 Drawing Sheets**



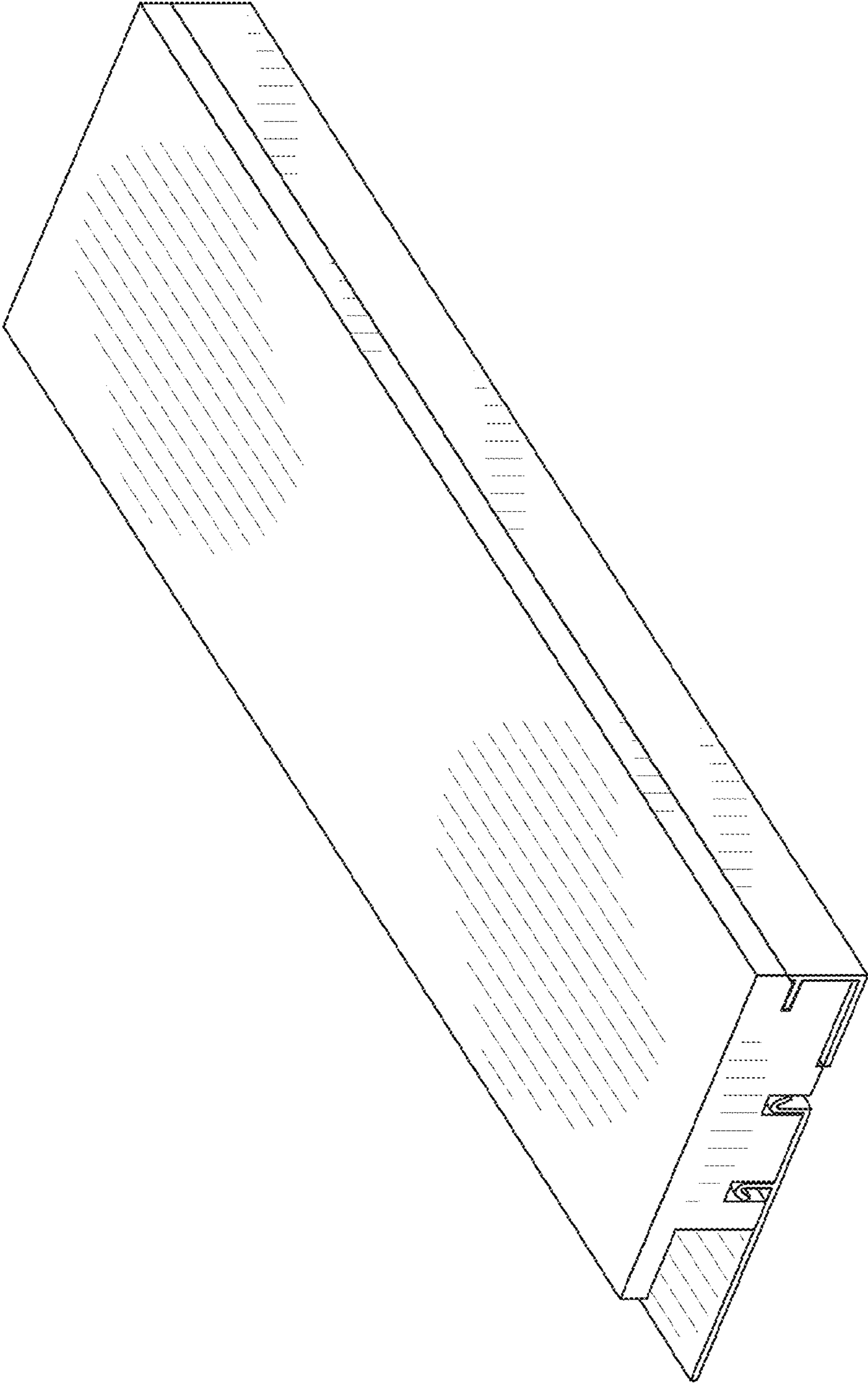
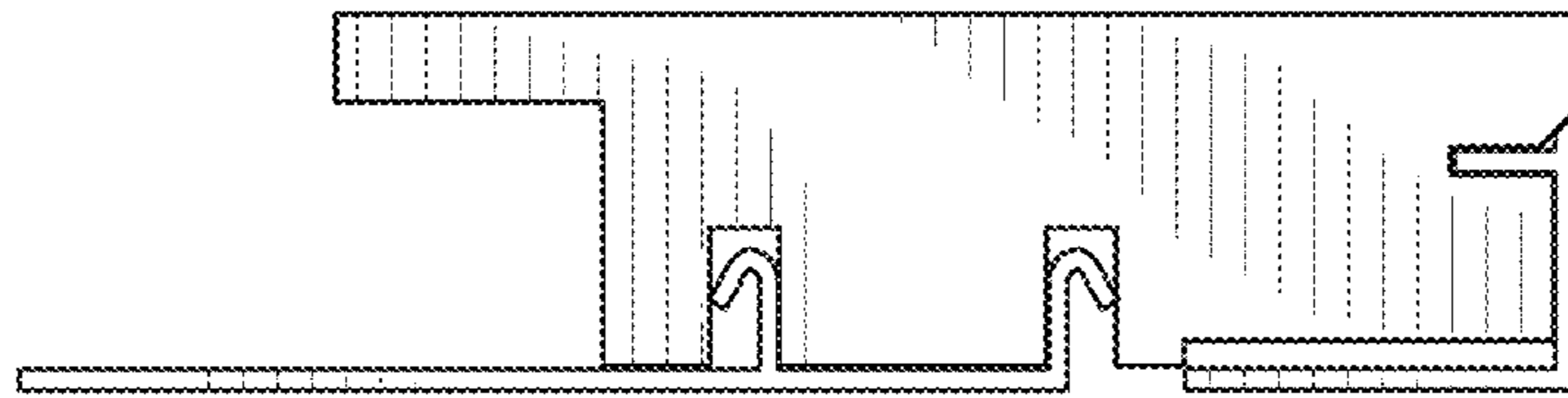
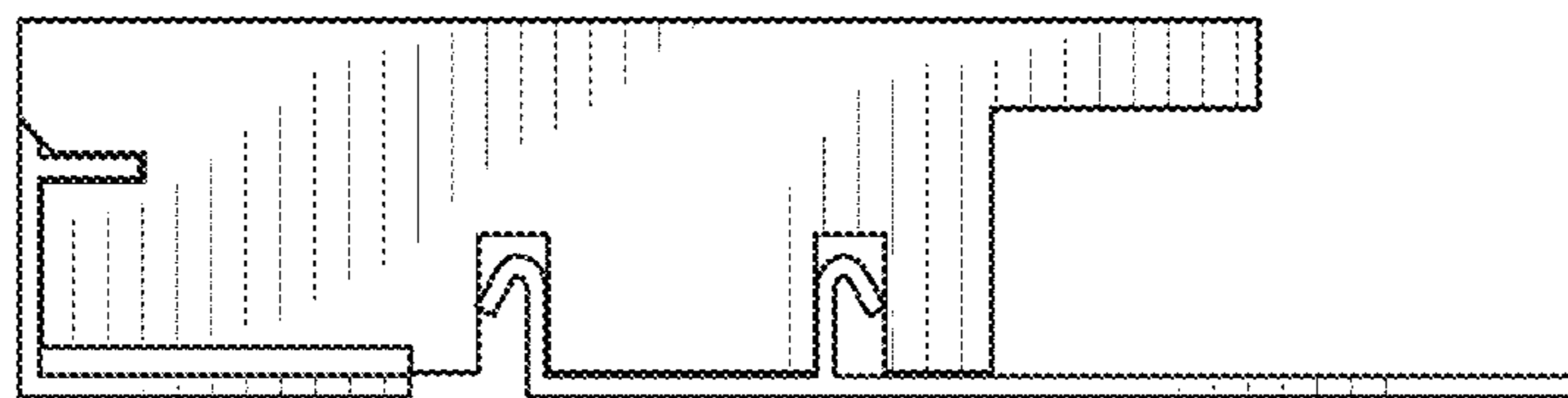


FIG. 1



*FIG. 2*



*FIG. 3*

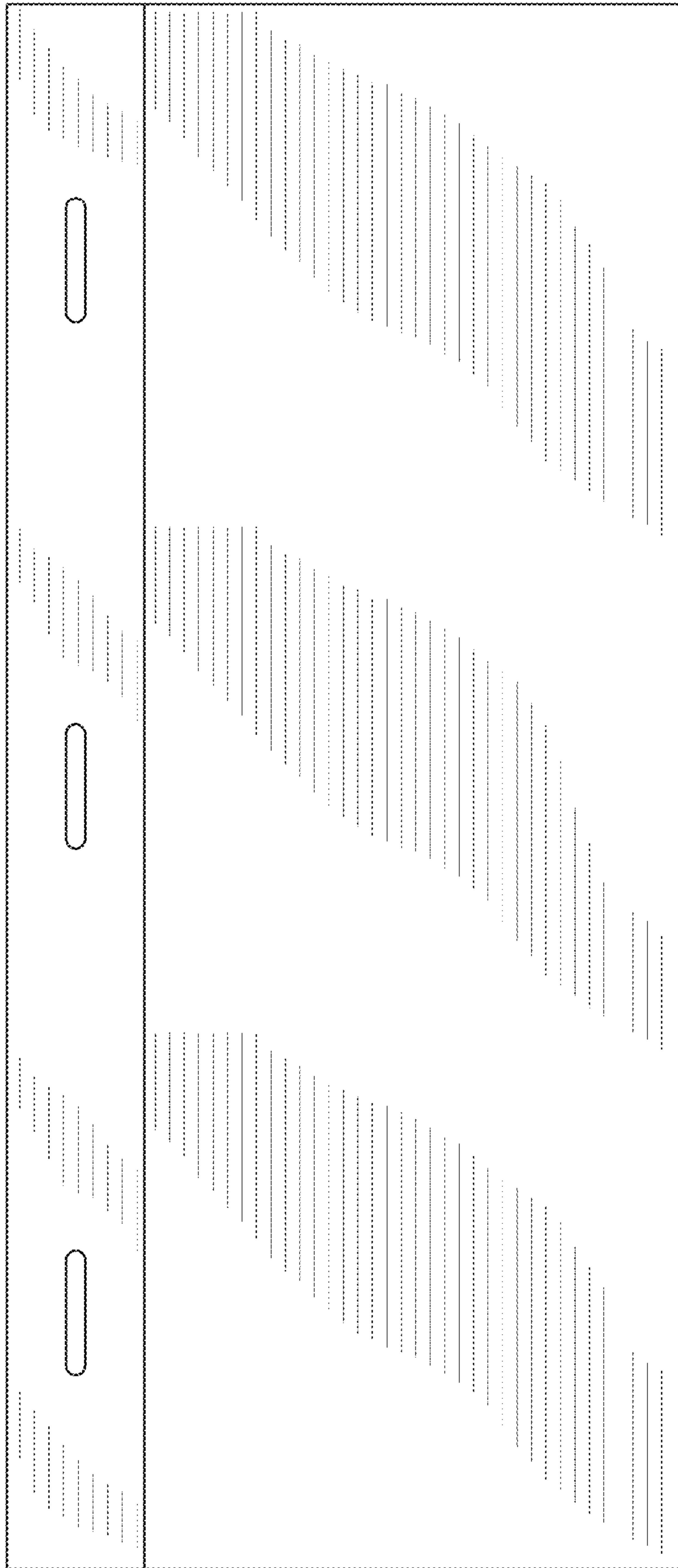


FIG. 4

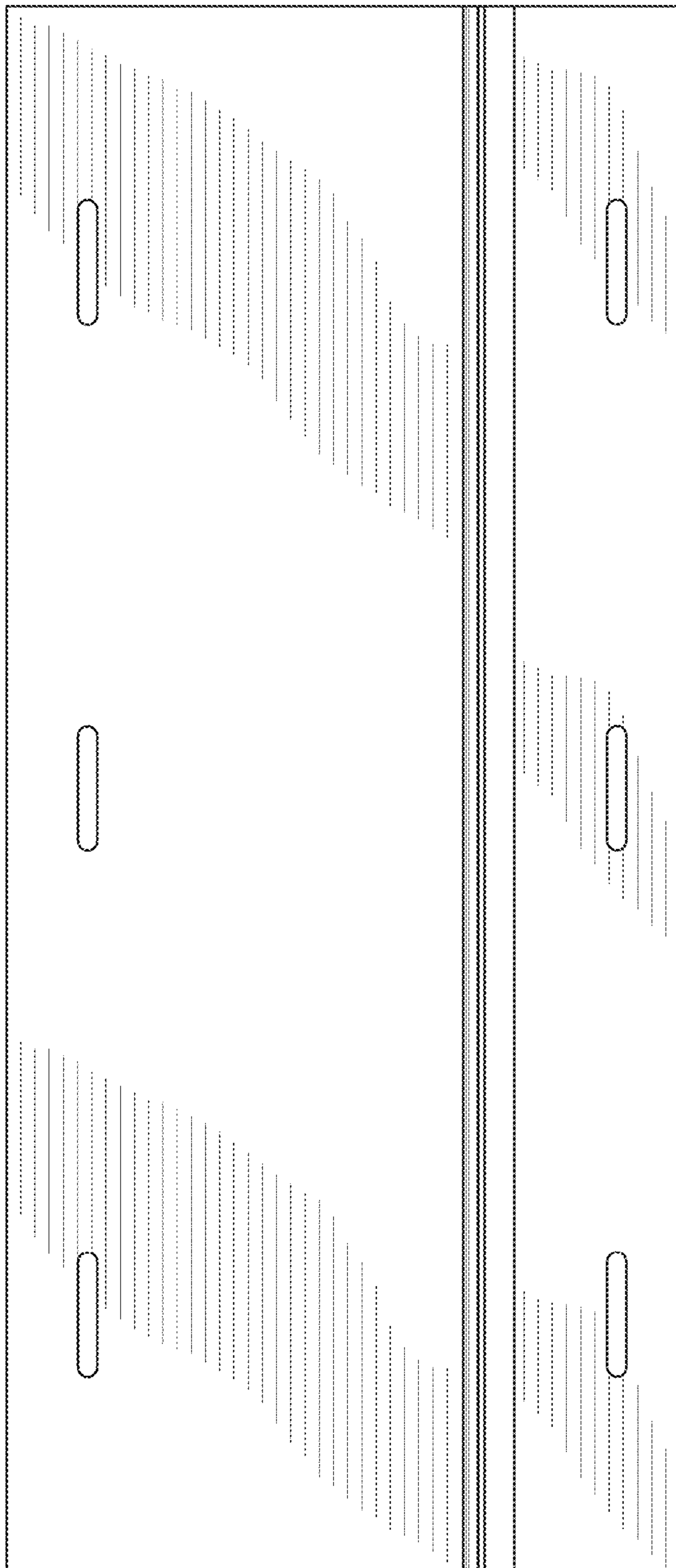


FIG. 5

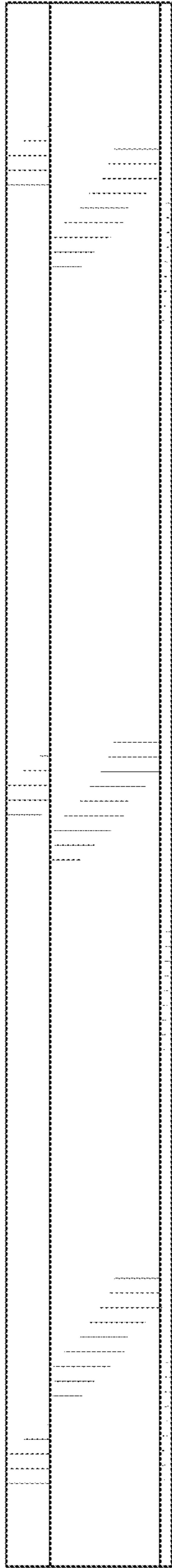


FIG. 6

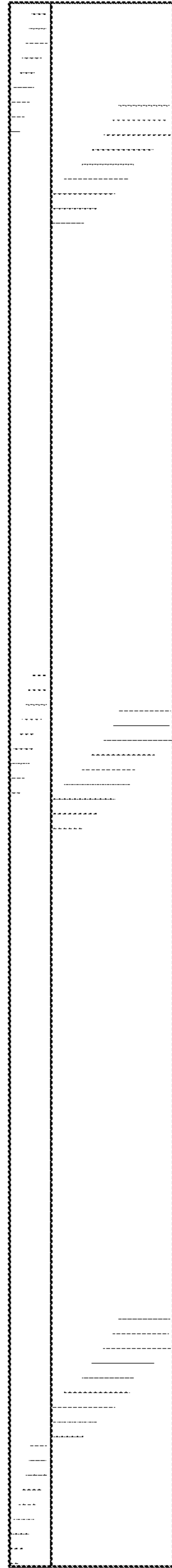


FIG. 7