



US00D750808S

(12) **United States Design Patent**
Toye

(10) **Patent No.:** **US D750,808 S**
(45) **Date of Patent:** **** Mar. 1, 2016**

- (54) **POST CAP**
- (71) Applicant: **Jonathan Dallas Toye**, Auckland (NZ)
- (72) Inventor: **Jonathan Dallas Toye**, Auckland (NZ)
- (73) Assignee: **Extenday IP Limited**, Auckland (NZ)
- (**) Term: **14 Years**
- (21) Appl. No.: **29/487,561**
- (22) Filed: **Apr. 9, 2014**
- (51) **LOC (10) Cl.** **25-01**
- (52) **U.S. Cl.**
USPC **D25/135**
- (58) **Field of Classification Search**
USPC D25/135
CPC E04H 2017/006
See application file for complete search history.

- 6,076,807 A * 6/2000 Spence E04H 17/1413
256/1
- 6,138,422 A * 10/2000 Wall E04H 12/2292
52/300
- D460,571 S * 7/2002 Schimmelpfennig D25/135
- 2012/0018692 A1* 1/2012 Langenwaller E04H 17/1443
256/65.12

* cited by examiner

Primary Examiner — Doris Clark

(74) *Attorney, Agent, or Firm* — Lowe Graham Jones PLLC

(57) **CLAIM**

I claim the ornamental design for the post cap, as shown and described.

DESCRIPTION

FIG. 1 is a top perspective view of the post cap showing my new design.

FIG. 2 is a top plan view of the post cap.

FIG. 3 is a bottom plan view of the post cap.

FIG. 4 is a side elevation view of the post cap; and,

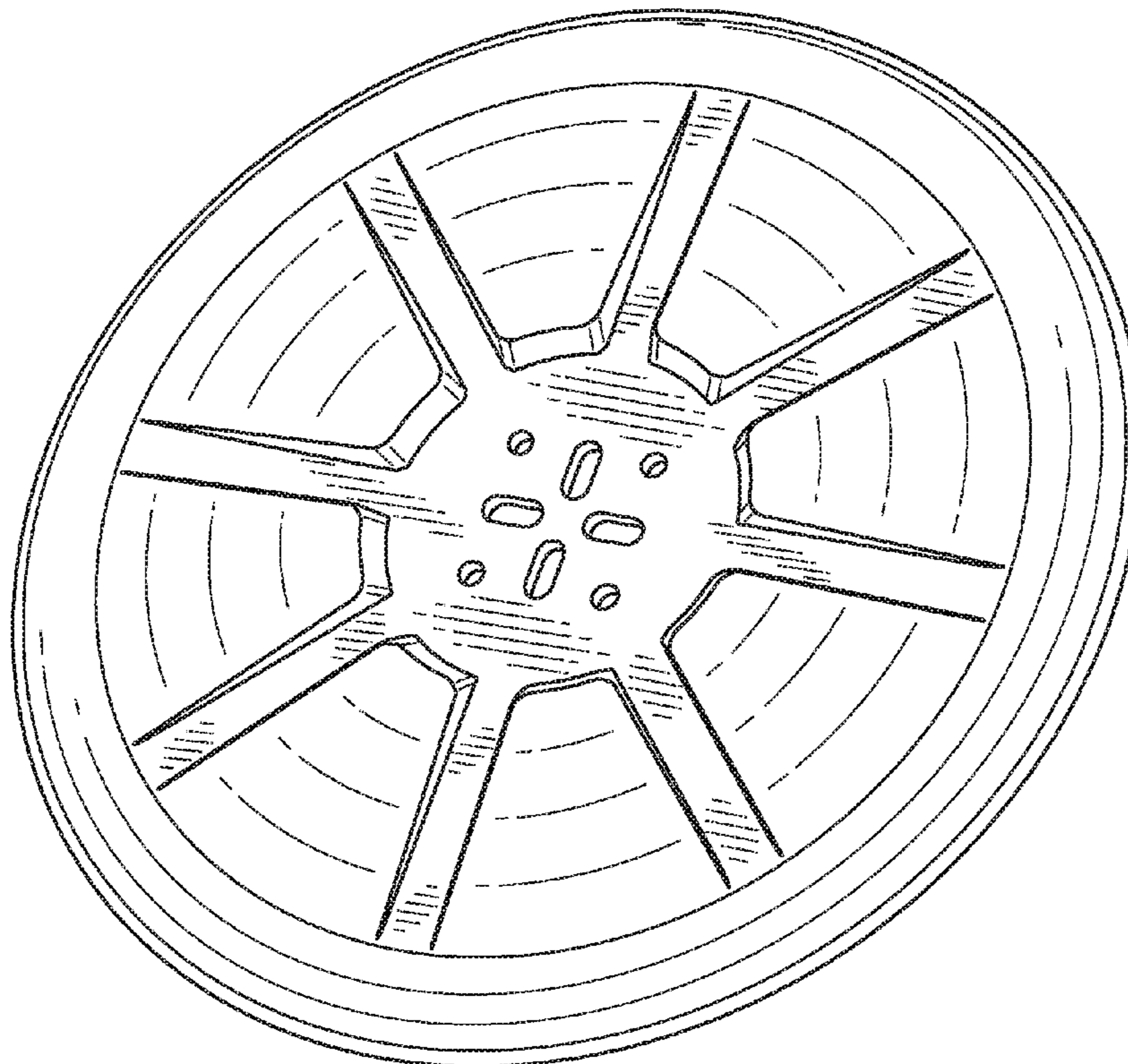
FIG. 5 is a perspective view from below the post cap.

1 Claim, 5 Drawing Sheets

(56) **References Cited**

U.S. PATENT DOCUMENTS

- 2,249,381 A * 7/1941 Gustafson A47B 95/04
16/DIG. 24
- 3,173,662 A * 3/1965 Millerbernd E04H 17/10
256/52



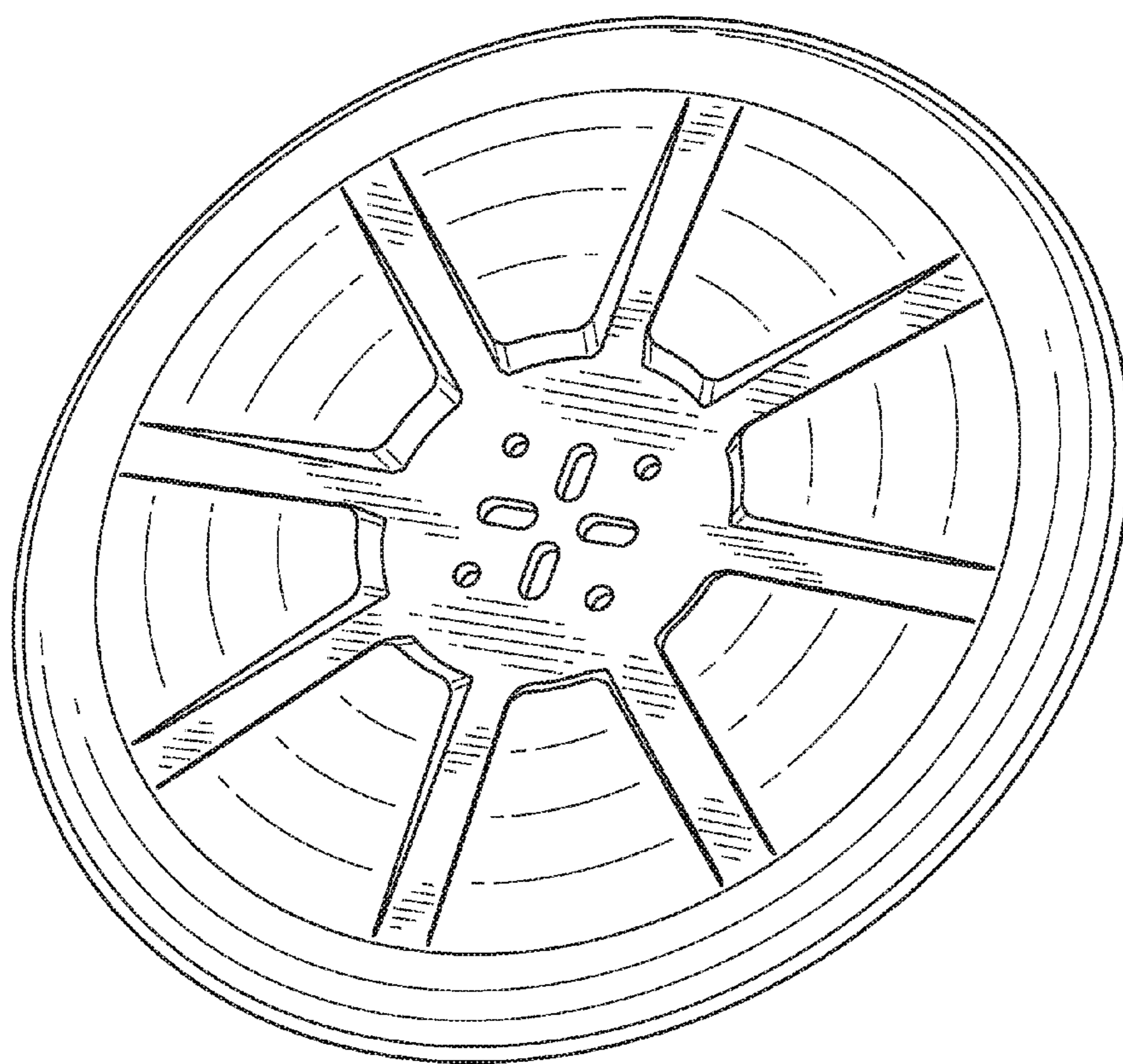


FIG. 1

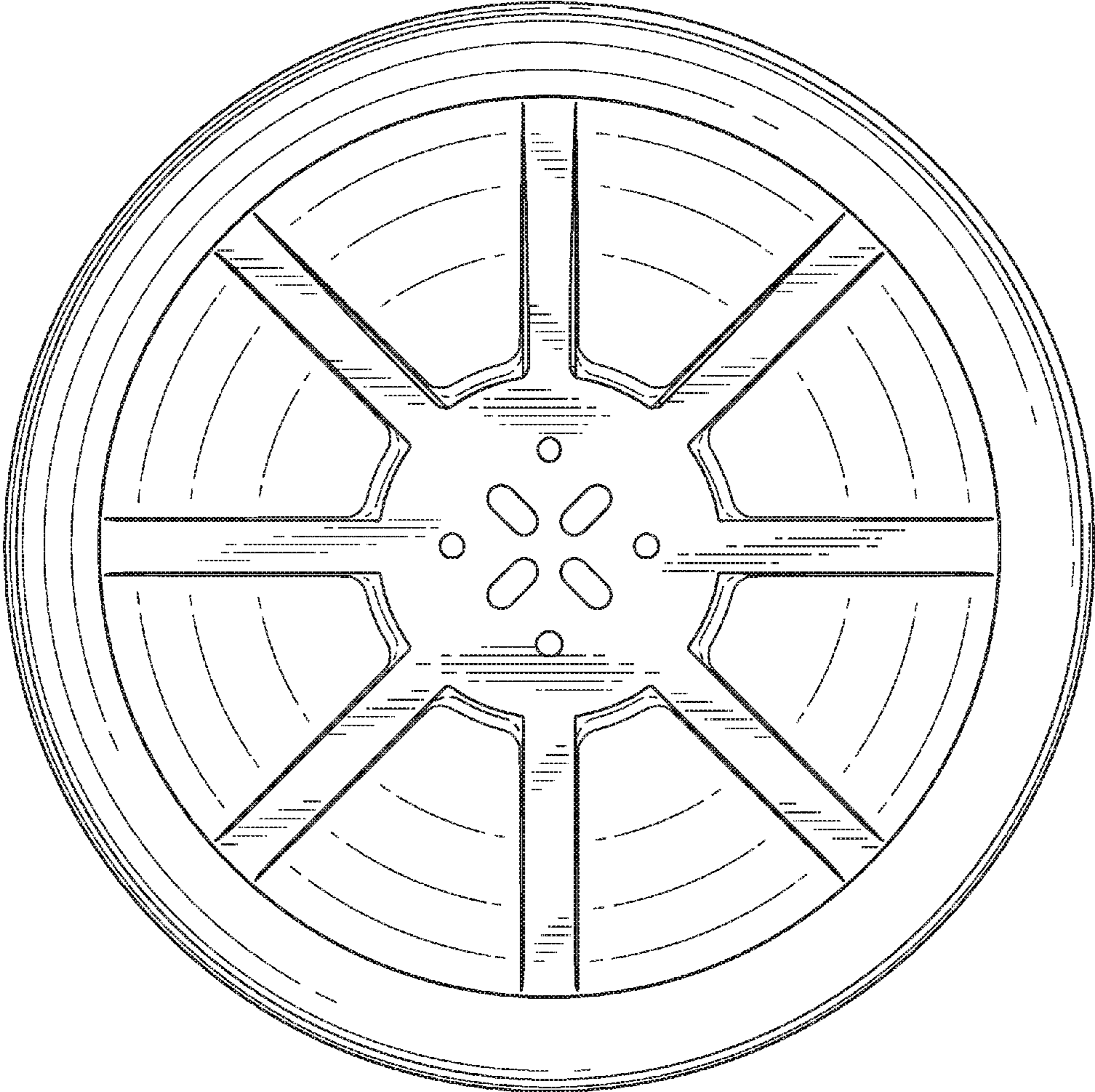


FIG. 2

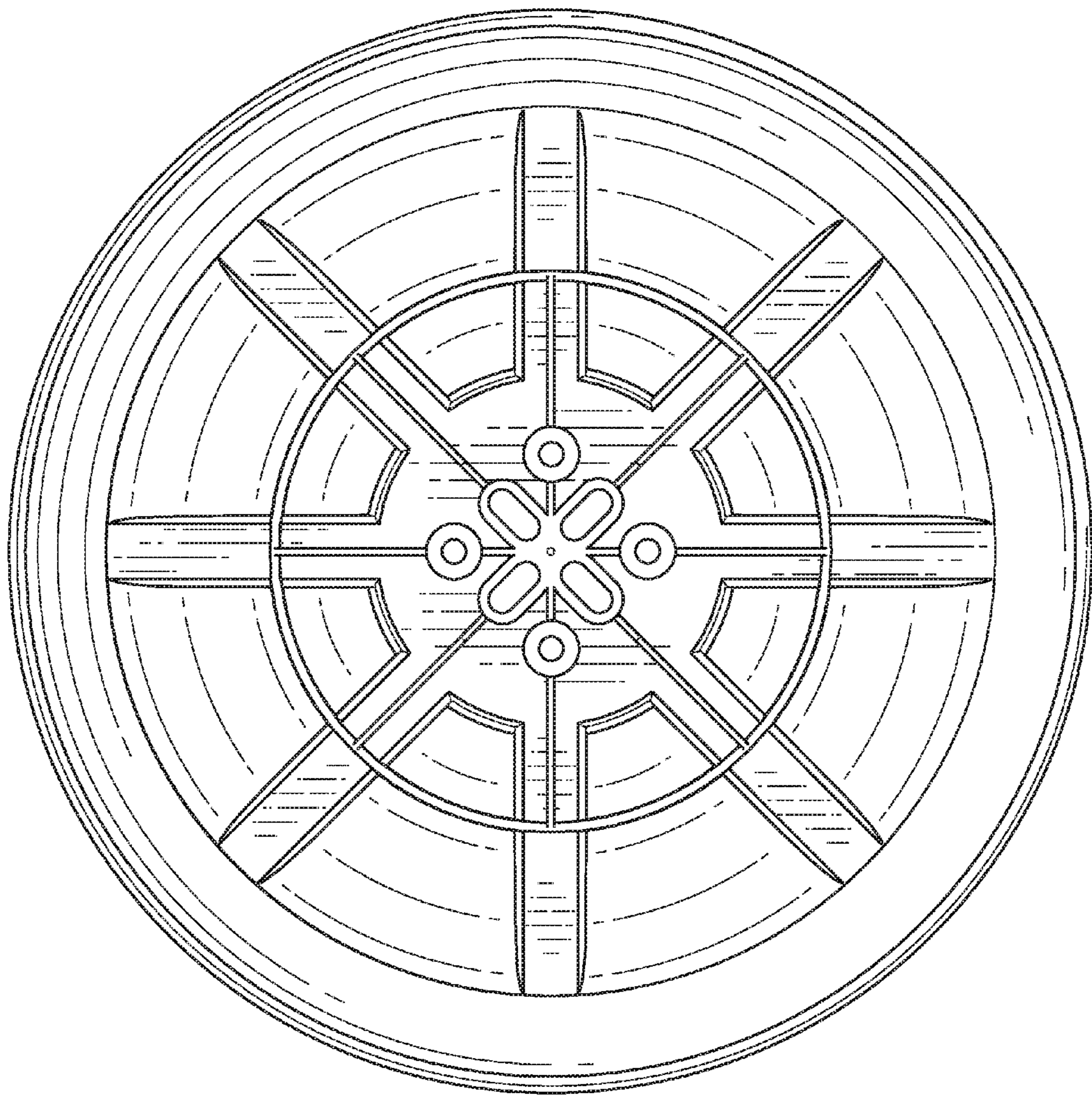


FIG. 3

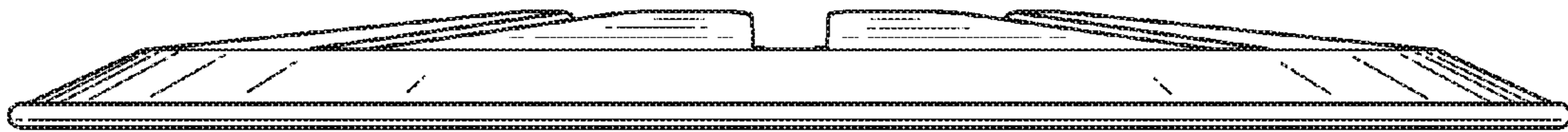


FIG. 4

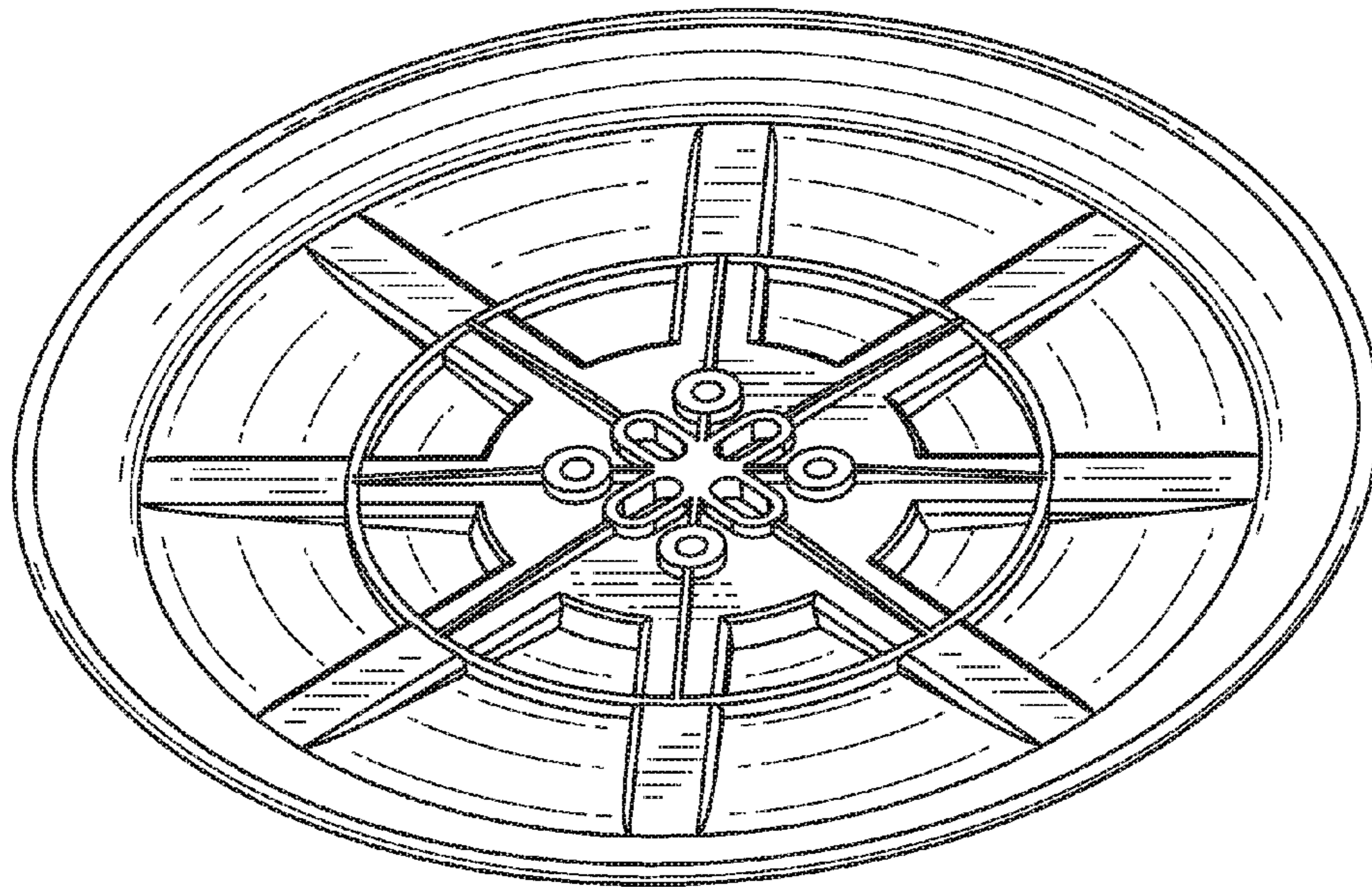


FIG. 5