

US00D750806S

(12) **United States Design Patent**
Singh

(10) **Patent No.:** **US D750,806 S**

(45) **Date of Patent:** **** *Mar. 1, 2016**

- (54) **TRIM REVEAL EXTRUSION**
- (71) Applicant: **Easytrim Reveals Inc.**, Calgary (CA)
- (72) Inventor: **Joshua George Singh**, Calgary (CA)
- (73) Assignee: **Easytrim Reveals Inc.**, Calgary AB (CA)
- (*) Notice: This patent is subject to a terminal disclaimer.
- (**) Term: **14 Years**
- (21) Appl. No.: **29/451,459**
- (22) Filed: **Apr. 2, 2013**
- (51) **LOC (10) Cl.** **25-01**
- (52) **U.S. Cl.**
USPC **D25/119**
- (58) **Field of Classification Search**
USPC D25/119; 52/62, 169.5, 281, 282.1, 52/287.1, 288.1, 716.2, 716.8, 717.01, 52/371, 254, 255, 459, 461, 465, 471, 472
See application file for complete search history.

(56) **References Cited**

U.S. PATENT DOCUMENTS

3,465,488	A *	9/1969	Miller	52/481.1
3,483,665	A *	12/1969	Miller	52/461
3,485,001	A *	12/1969	Miller	52/281
4,624,087	A *	11/1986	Schneller	52/254
5,960,598	A *	10/1999	Tamlyn	52/254
6,018,924	A *	2/2000	Tamlyn	52/716.8
D423,690	S *	4/2000	Grosfillex	D25/119

D425,215	S *	5/2000	Ginzel	D25/119
6,189,273	B1 *	2/2001	Larson	52/255
6,219,980	B1 *	4/2001	Peck, Jr.	52/288.1
6,438,914	B1 *	8/2002	Robertson	52/255
6,470,638	B1 *	10/2002	Larson	52/302.1
D471,794	S *	3/2003	Wall	D8/382
6,691,476	B1 *	2/2004	Kunz	52/287.1
6,698,144	B1 *	3/2004	Larson	52/202
6,729,086	B2 *	5/2004	Razetto	52/287.1
6,735,912	B2 *	5/2004	Riggio	52/235
D525,370	S *	7/2006	Levi-Senigaglia	D25/119
D544,105	S *	6/2007	Flehsig	D25/119
D554,773	S *	11/2007	Antonic	D25/119
2002/0088189	A1 *	7/2002	Honda	52/287.1
2007/0266655	A1 *	11/2007	Howe et al.	52/282.1
2008/0172961	A1 *	7/2008	Wu	52/282.1

OTHER PUBLICATIONS

Easytrim Reveals—Product Guide, Features and Benefits, downloaded as early as Feb. 4, 2012.

* cited by examiner

Primary Examiner — Doris Clark

(74) *Attorney, Agent, or Firm* — Miller Thomson LLP; Tai W. Nahm

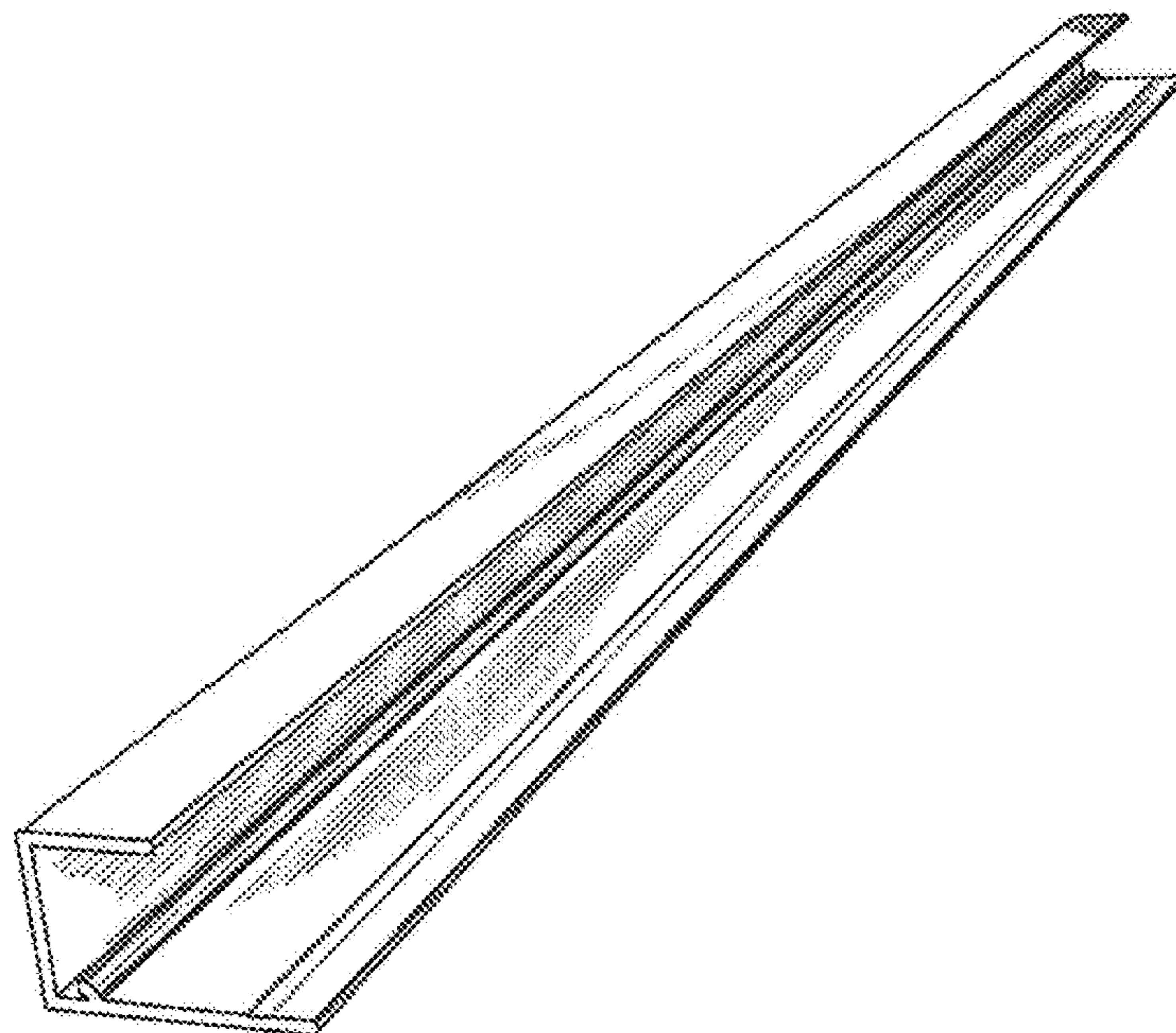
(57) **CLAIM**

The ornamental design for a trim reveal extrusion, as shown.

DESCRIPTION

FIG. 1 illustrates a perspective view of a trim reveal extrusion of indeterminate length comprising a new design; and, FIG. 2 is a detailed end elevational view thereof at a larger scale.

1 Claim, 1 Drawing Sheet



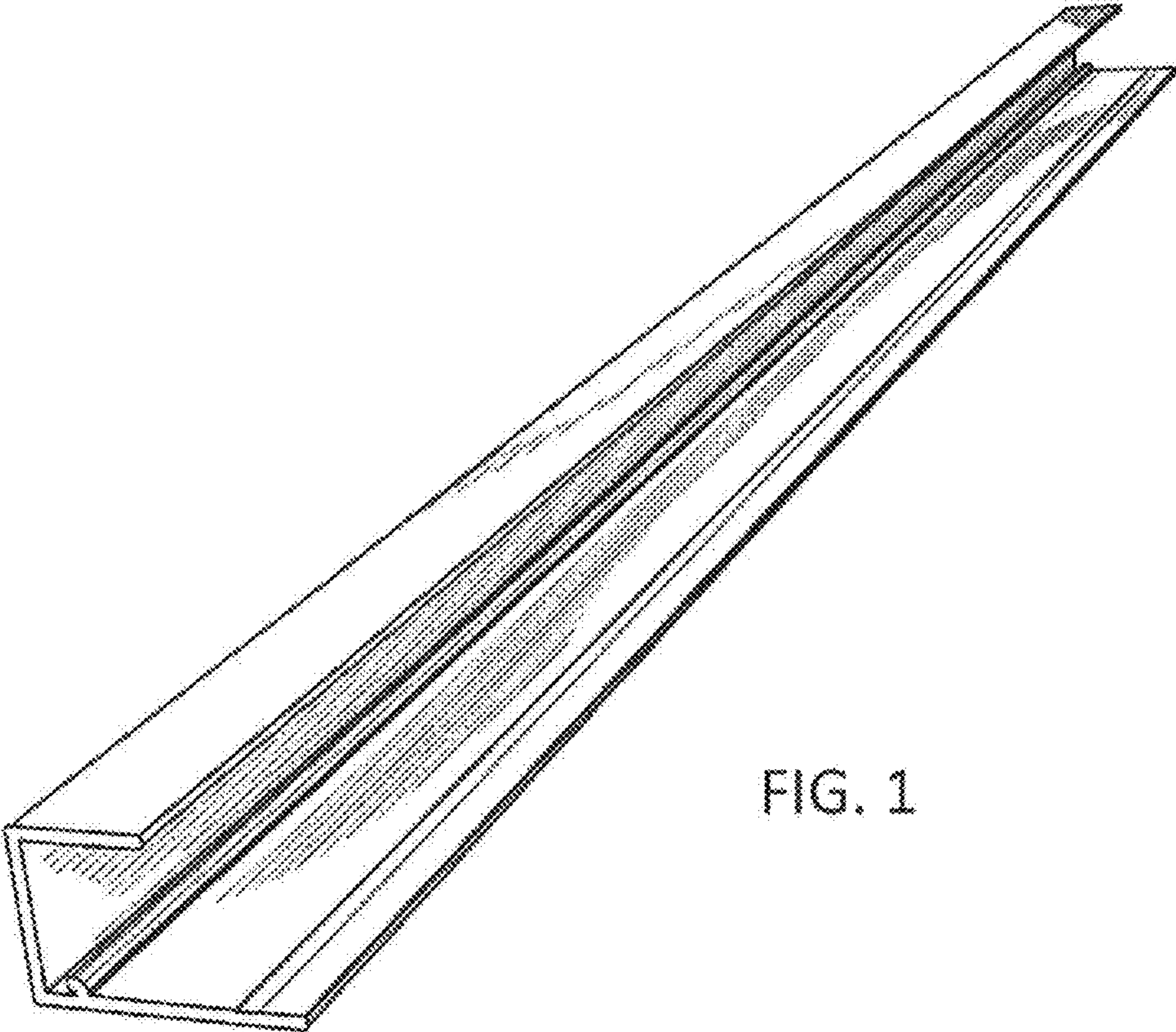


FIG. 1

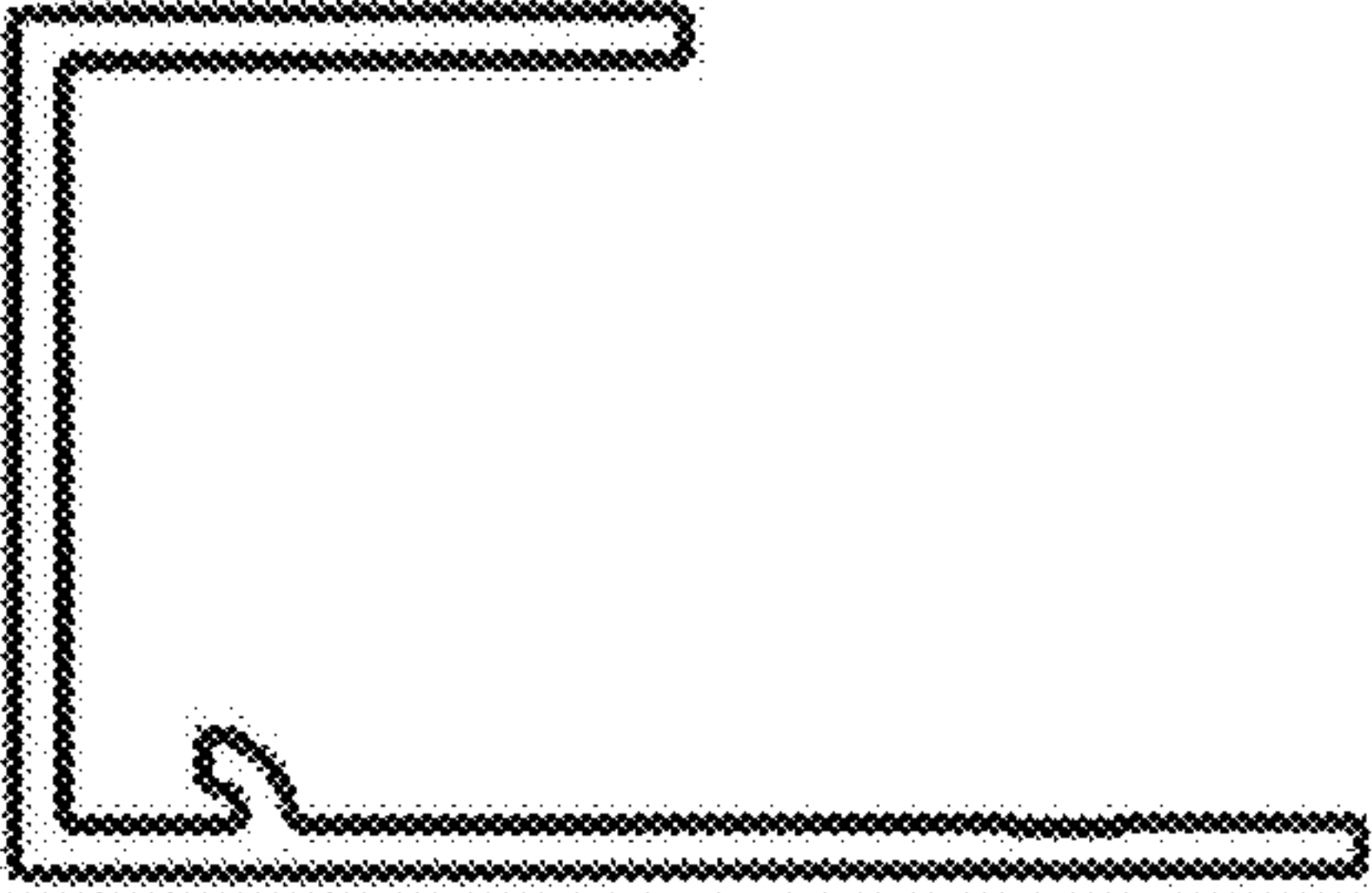


FIG. 2