



US00D750802S

(12) **United States Design Patent**
Sanchez et al.

(10) **Patent No.:** **US D750,802 S**
(45) **Date of Patent:** **** Mar. 1, 2016**

- (54) **LIQUID HANDLING PLATFORM**
- (71) Applicants: **Marc Sanchez**, Paris (FR); **Tristan Berto**, Madison, WI (US)
- (72) Inventors: **Marc Sanchez**, Paris (FR); **Tristan Berto**, Madison, WI (US)
- (73) Assignee: **GILSON, INC.**, Middleton, WI (US)
- (**) Term: **14 Years**
- (21) Appl. No.: **29/479,143**
- (22) Filed: **Jan. 13, 2014**
- (51) **LOC (10) Cl.** **24-00**
- (52) **U.S. Cl.**
USPC **D24/234**
- (58) **Field of Classification Search**
USPC D24/234, 231, 186, 216, 232; 600/309;
356/445; D10/81
See application file for complete search history.

D644,544 S * 9/2011 Yukikado D10/81
D665,917 S * 8/2012 TerMaat et al. D24/216

* cited by examiner

Primary Examiner — Holly Baynham

Assistant Examiner — Rhea Shields

(74) *Attorney, Agent, or Firm* — Quarles & Brady LLP

(57) **CLAIM**

The ornamental design for a liquid handling platform, as shown and described.

DESCRIPTION

FIG. 1 is an isometric view of a front, top, and left side of the liquid handling platform showing our new design;
 FIG. 2 is a front elevational view of the liquid handling platform of FIG. 1;
 FIG. 3 is a rear elevational view of the liquid handling platform of FIG. 1;
 FIG. 4 is a left side elevational view of the liquid handling platform of FIG. 1;
 FIG. 5 is a right side elevational view of the liquid handling platform of FIG. 1;
 FIG. 6 is a top plan view of the liquid handling platform of FIG. 1; and,
 FIG. 7 is a bottom plan view of the liquid handling platform of FIG. 1.

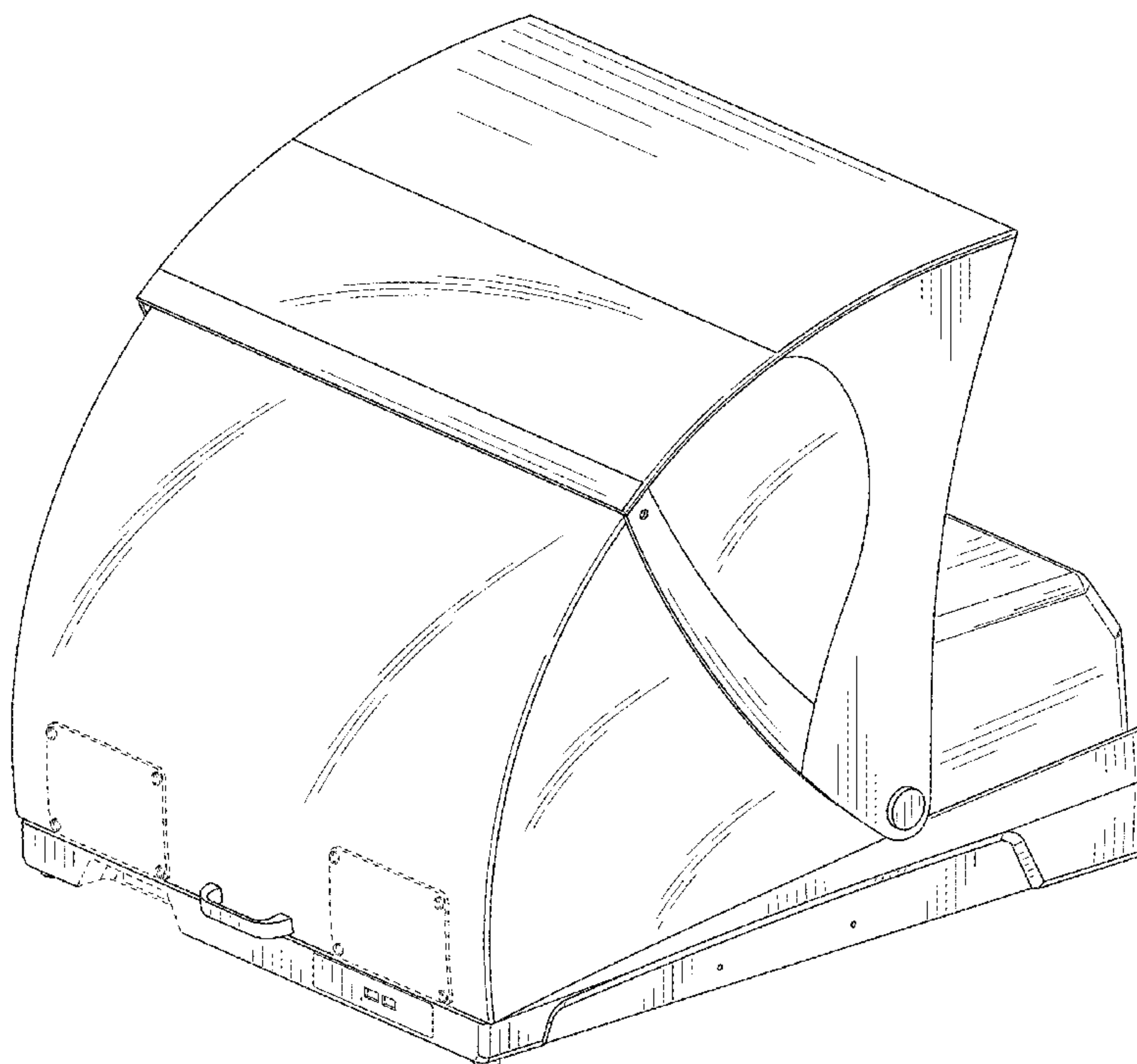
The broken lines are for the purpose of illustrating environmental structure and form no part of the claimed design. The portions of the liquid handling platform and cover having curved surface shading represent a translucent surface. Features and/or surfaces representing the inner workings of the liquid handling platform that would be visible behind the translucent surfaces form no part of the claimed design.

1 Claim, 7 Drawing Sheets

(56) **References Cited**

U.S. PATENT DOCUMENTS

- 5,832,921 A * 11/1998 Lennert et al. 600/309
- 6,445,451 B1 * 9/2002 Douglas-Hamilton
et al. 356/425
- D467,349 S * 12/2002 Niedbala et al. D24/232
- 7,561,272 B2 * 7/2009 Zimmerle 356/445
- D607,569 S * 1/2010 Yukikado et al. D24/186
- 7,847,946 B2 * 12/2010 Krauth 356/445



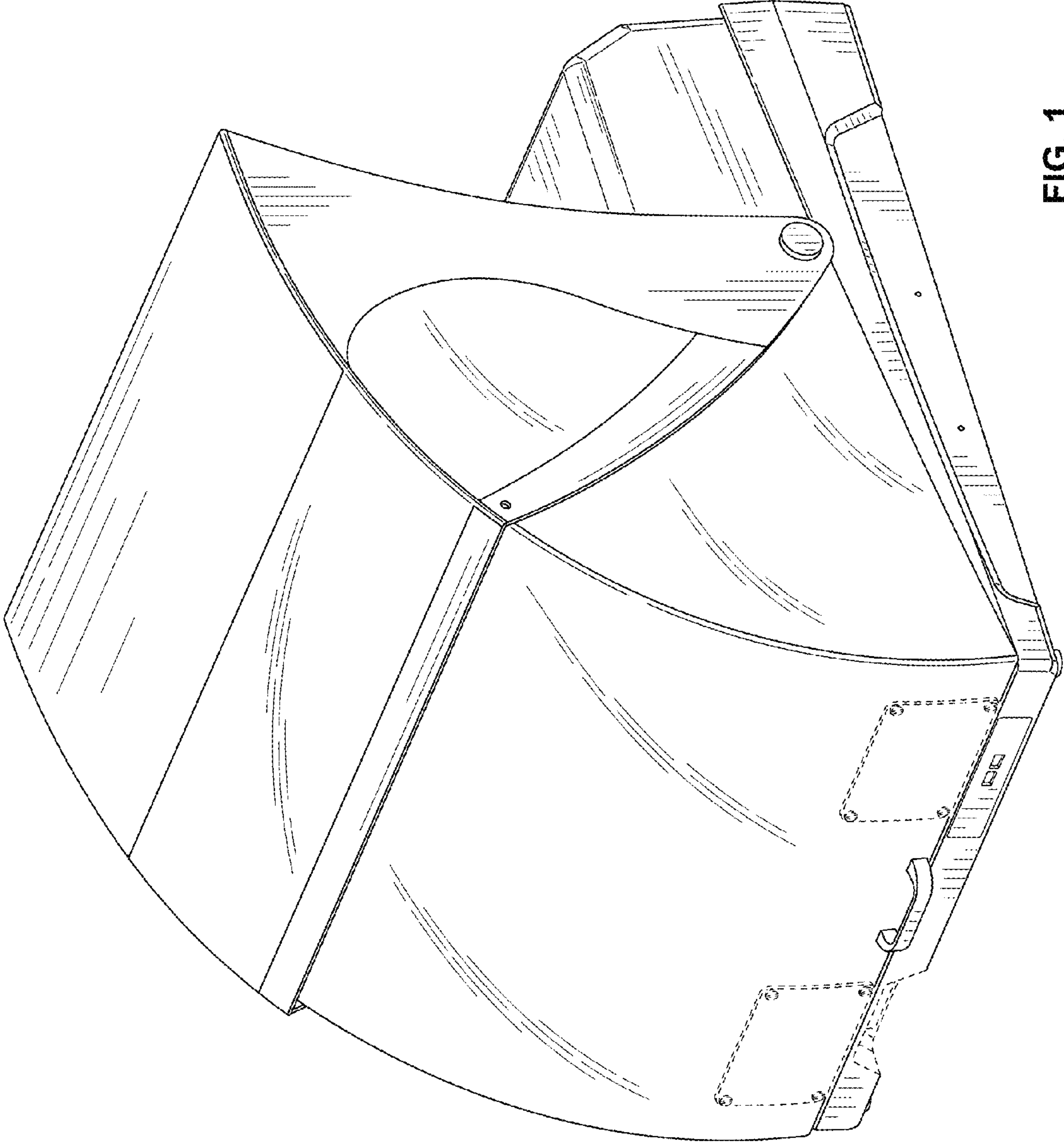


FIG. 1

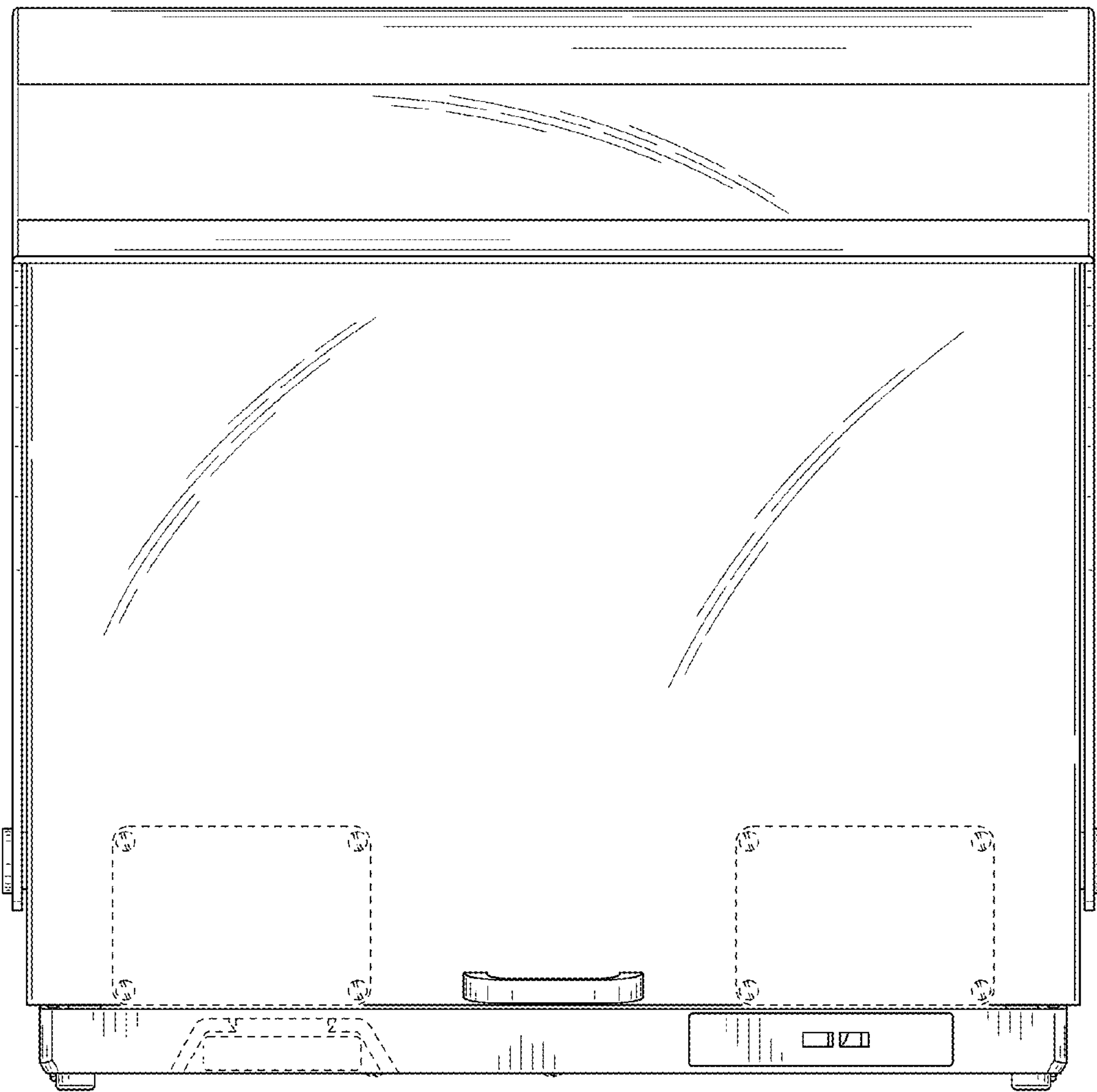


FIG. 2

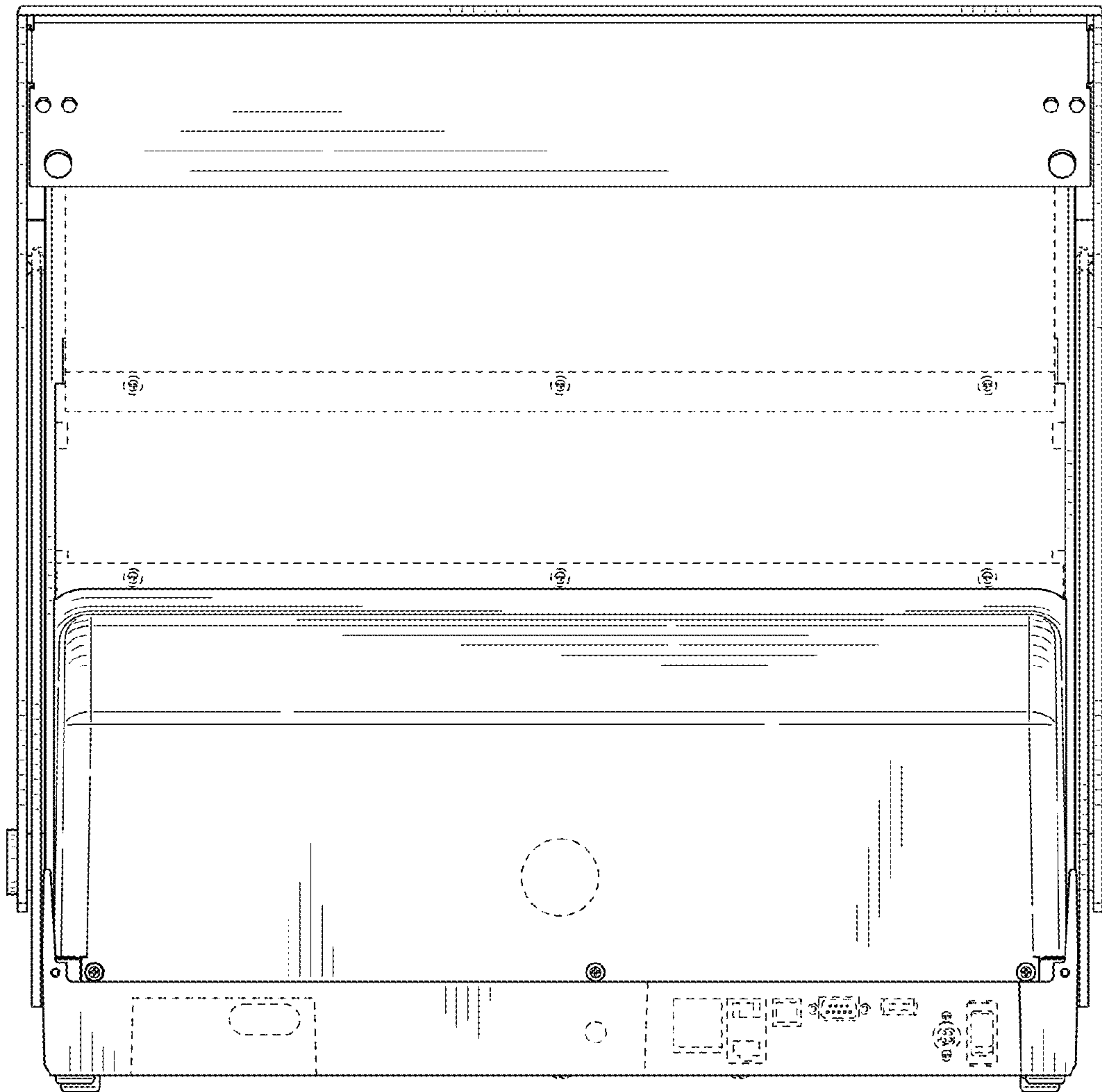


FIG. 3

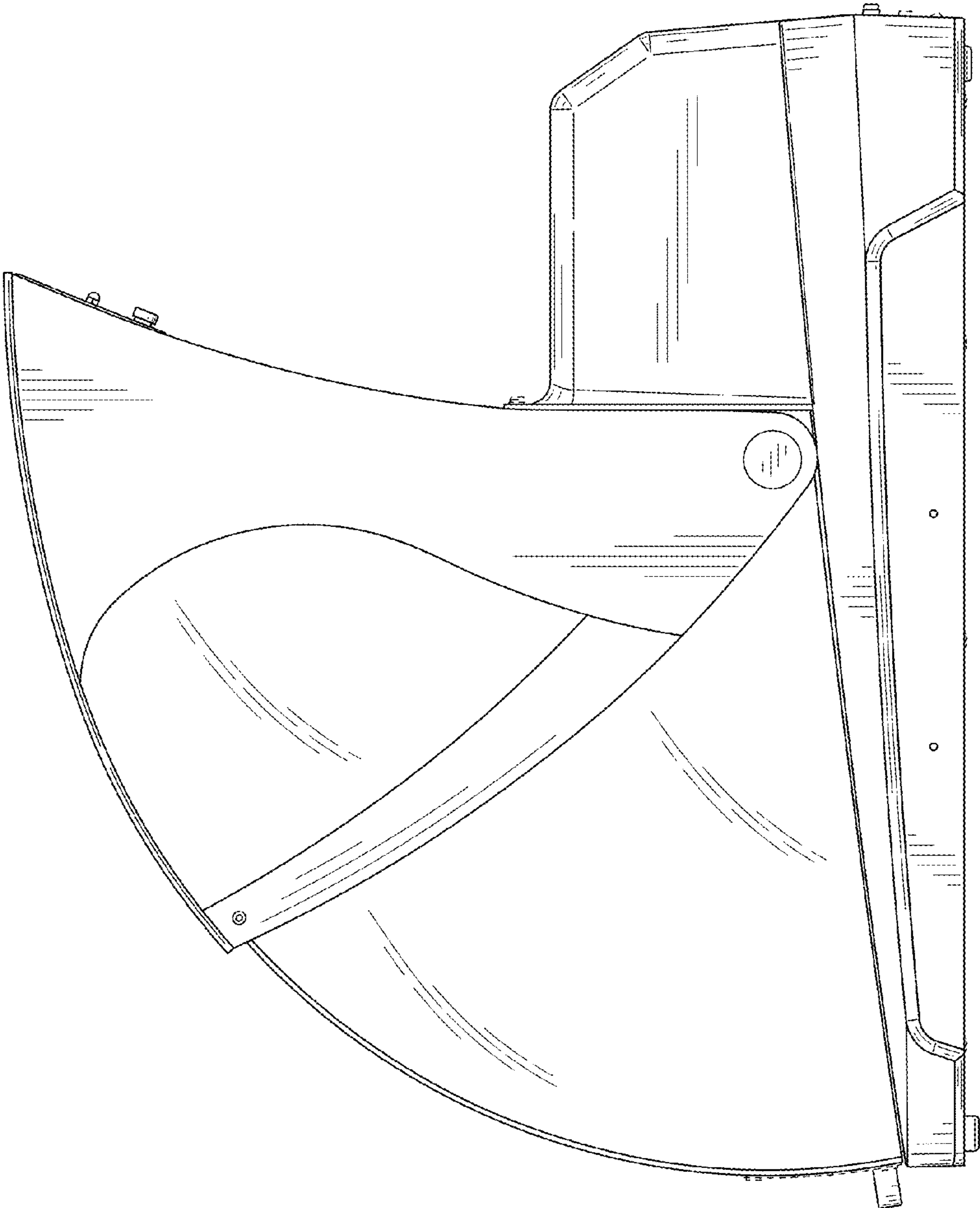


FIG. 4

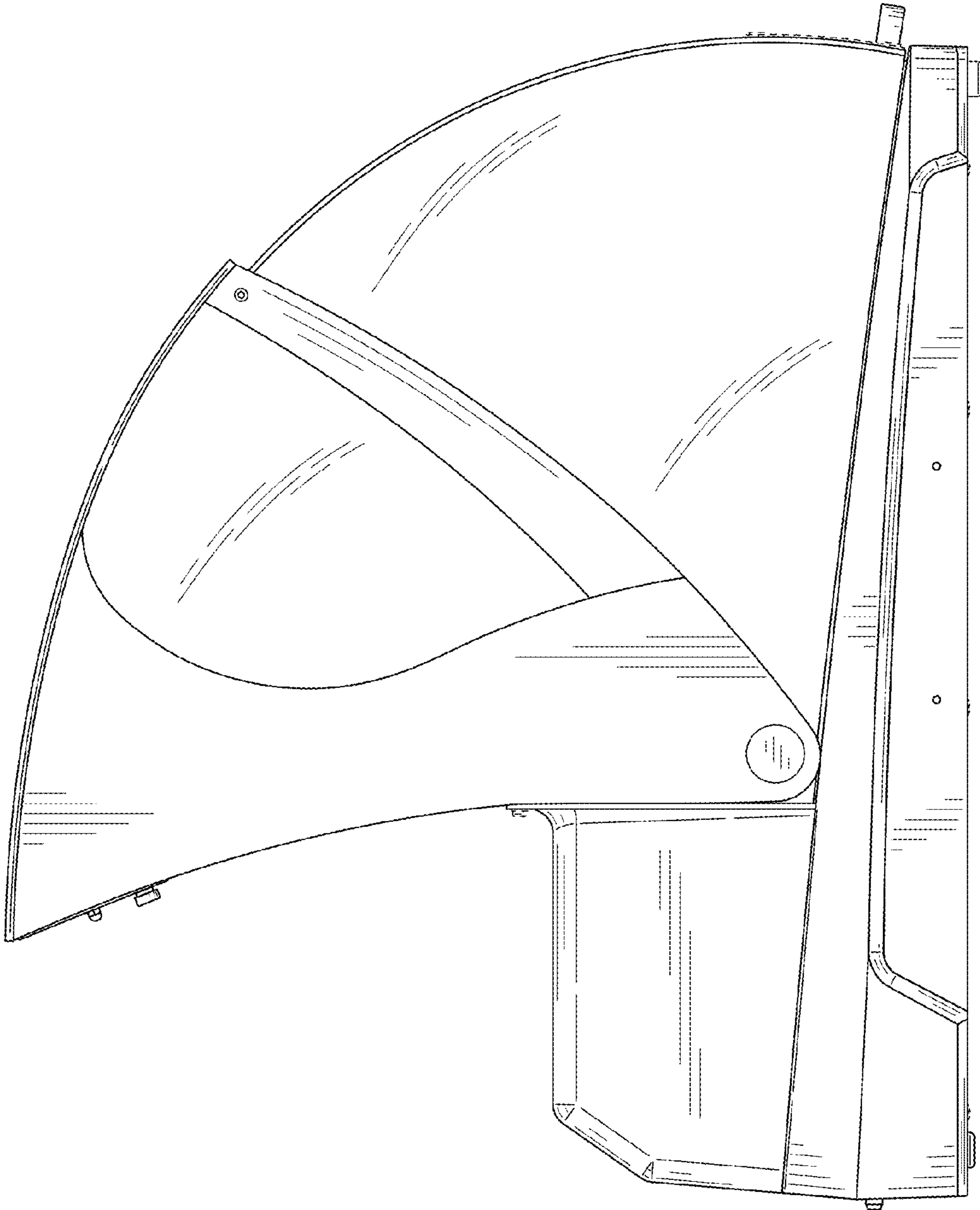


FIG. 5

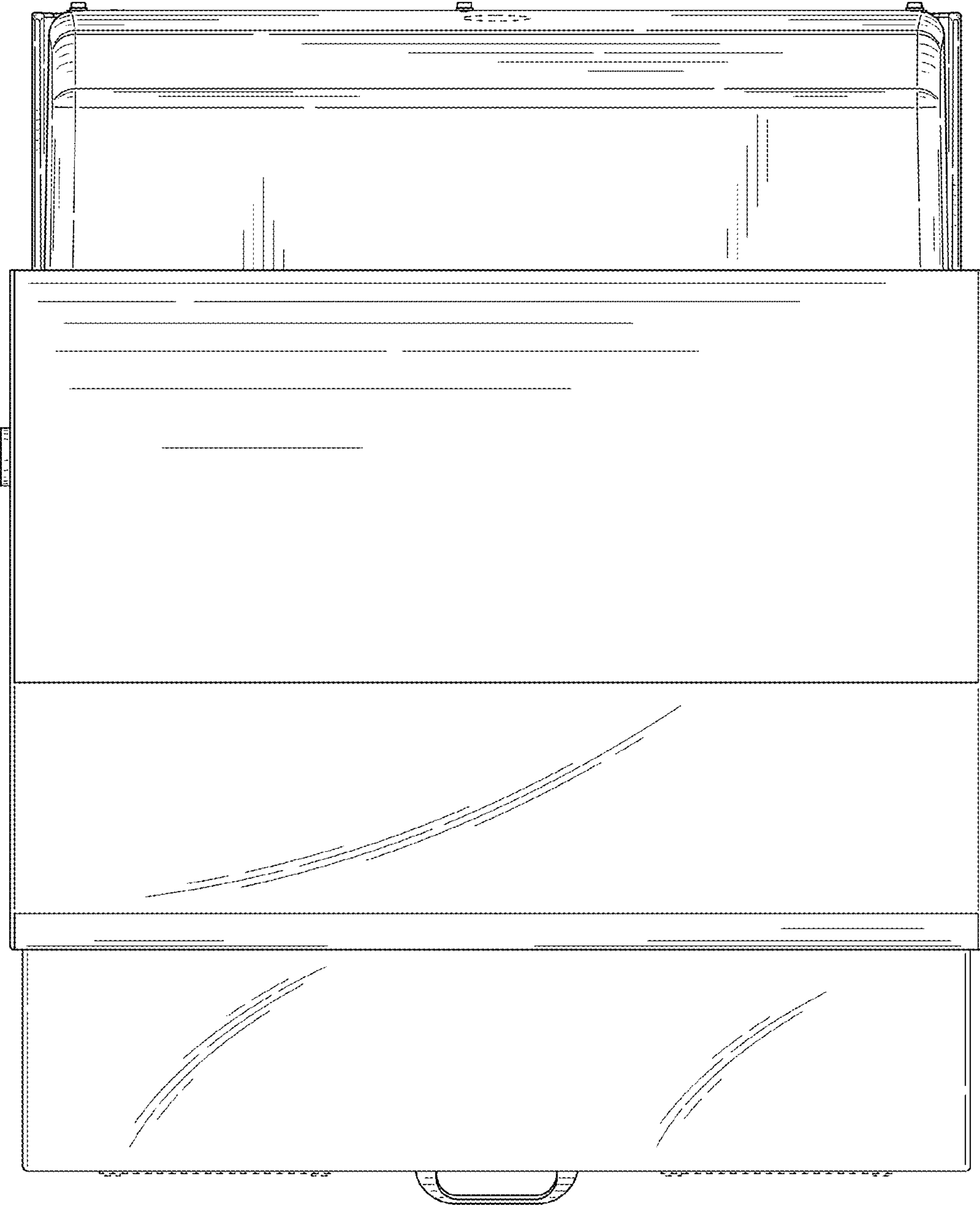


FIG. 6

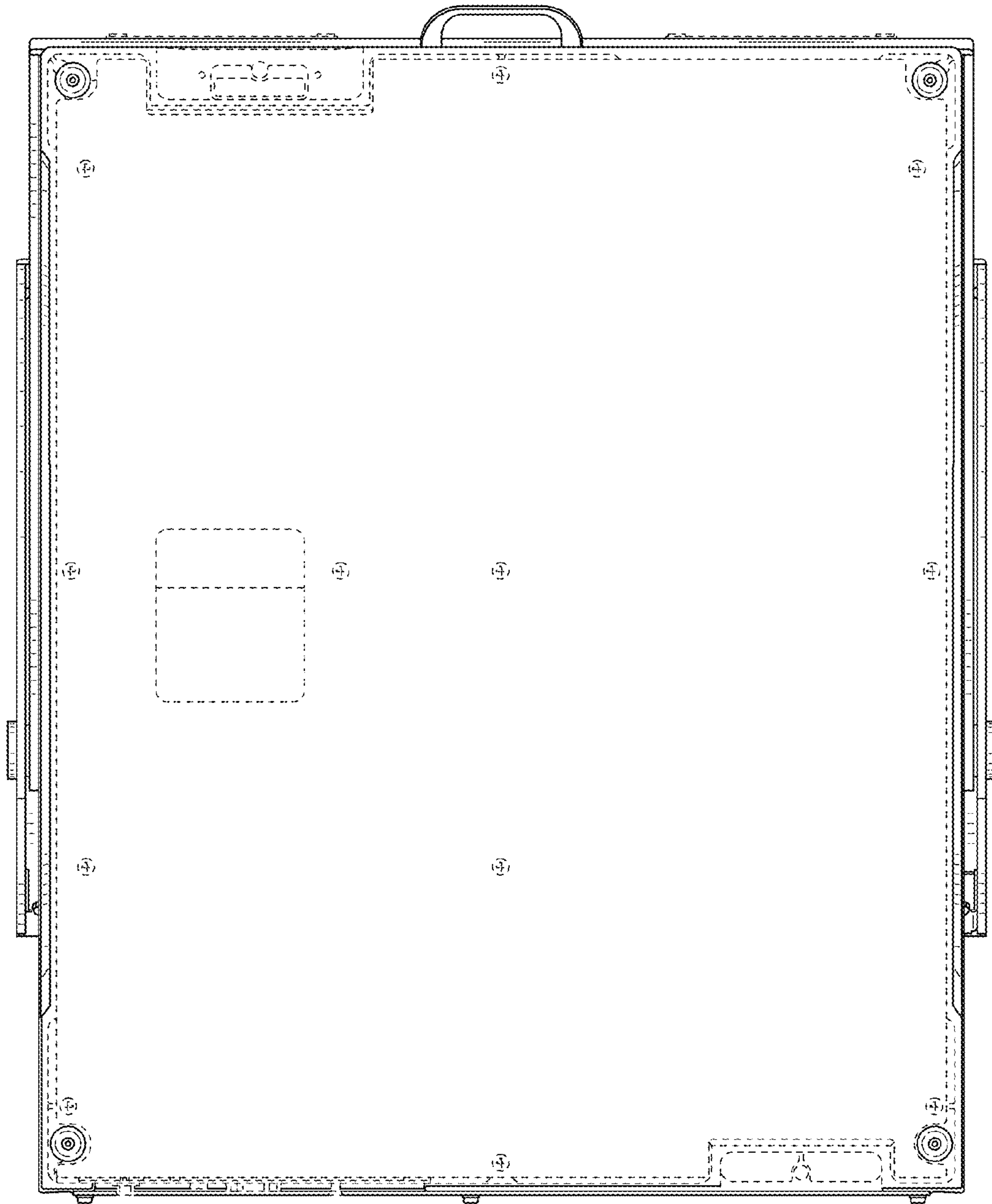


FIG. 7