



US00D750801S

(12) **United States Design Patent**
Sharpe et al.

(10) **Patent No.:** **US D750,801 S**
(45) **Date of Patent:** **** Mar. 1, 2016**

(54) **VIAL HOLDER ELEMENT ASSEMBLY**

(71) Applicants: **Gary Sharpe**, Naples, FL (US); **Lacey Porter**, Hilliard, OH (US)

(72) Inventors: **Gary Sharpe**, Naples, FL (US); **Lacey Porter**, Hilliard, OH (US)

(73) Assignee: **Gary L. Sharpe**, Naples, FL (US)

(**) Term: **14 Years**

(21) Appl. No.: **29/480,486**

(22) Filed: **Jan. 27, 2014**

(51) **LOC (10) Cl.** **24-02**

(52) **U.S. Cl.**
USPC **D24/230**

(58) **Field of Classification Search**

USPC D24/216, 217, 224–232, 131, 197, 104,
D24/214; D3/203.1–203.6, 270, 272, 271.9;
D9/426, 519, 504, 668, 420, 454;
220/793, 839, 258.3; 206/83, 528, 438,
206/63.5, 815, 508, 822; 422/560–564;
435/305.1, 288.3, 288.4; D7/604, 500,
D7/606, 515, 629, 354, 300; D99/5;
D11/121; D21/709, 662, 398
CPC B65D 2543/00296; B65D 43/162;
B65D 51/20; B65D 85/42; B65D 51/28;
A61C 19/008; A61C 19/02; A61F 2/0095;
B01L 9/06; B01L 3/5085; C12M 1/24;
C12M 23/08
See application file for complete search history.

(56) **References Cited**

U.S. PATENT DOCUMENTS

D271,173 S * 11/1983 Keshishian D7/604
5,064,073 A * 11/1991 Folland B65D 51/28
206/822
D390,778 S * 2/1998 Lee D3/271.9
D402,110 S * 12/1998 Au D3/270
D404,681 S * 1/1999 Galerneau D11/121
D441,871 S * 5/2001 Fedale D24/197
D460,693 S * 7/2002 Flowers D9/519

D475,288 S * 6/2003 Hoffmann et al. D9/426
D492,403 S * 6/2004 Iddan D24/104
D497,191 S * 10/2004 Shore D21/709
D564,900 S * 3/2008 Green D9/504
D572,535 S * 7/2008 El-Ghouyel D7/500
D575,165 S * 8/2008 Billings D21/588
D583,249 S * 12/2008 Kracke D9/420
D586,187 S * 2/2009 Sax D7/606

(Continued)

Primary Examiner — T. Chase Nelson

Assistant Examiner — Mark Cavanna

(74) *Attorney, Agent, or Firm* — Standley Law Group LLP

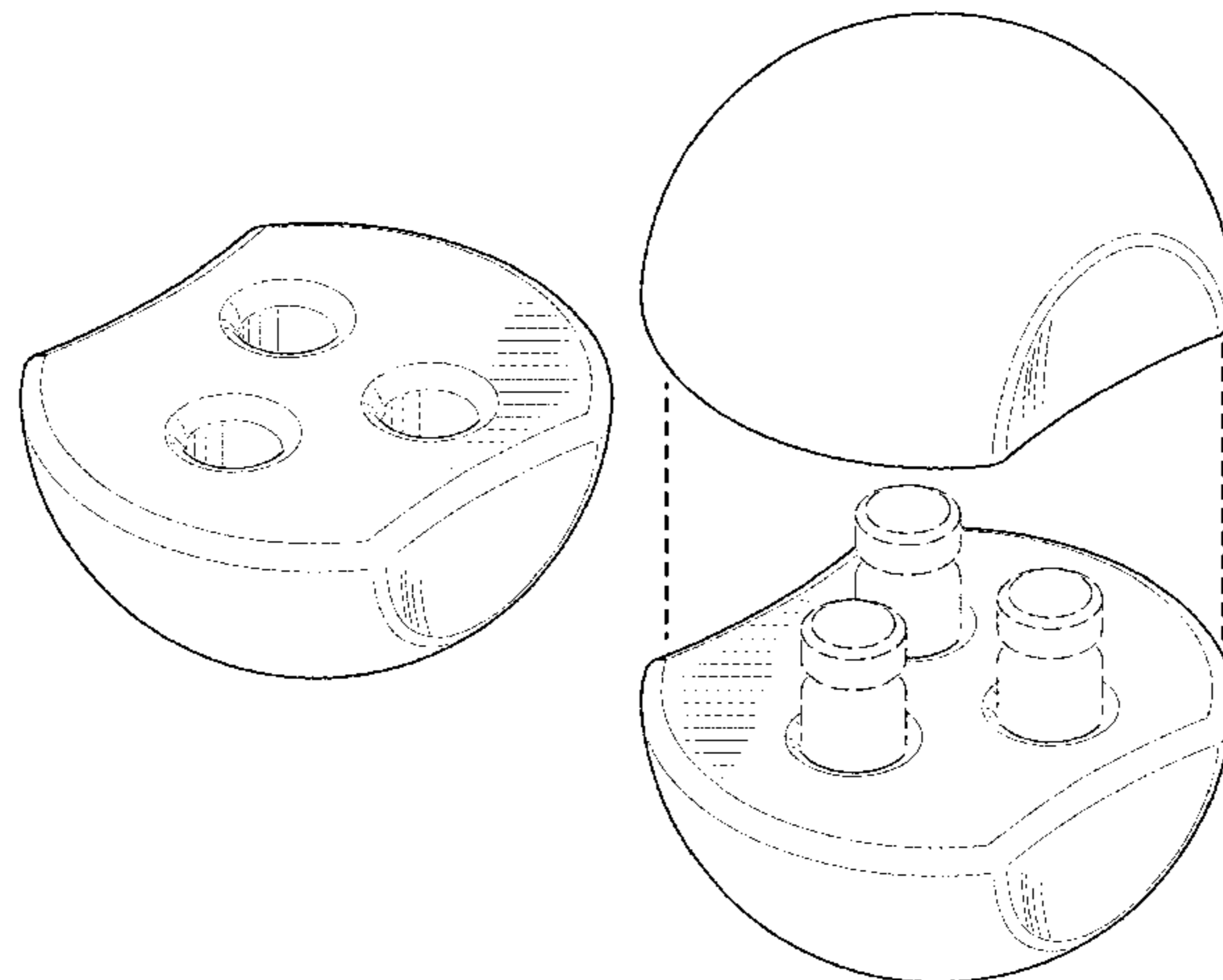
(57) **CLAIM**

The ornamental design for a vial holder element assembly, as shown and described.

DESCRIPTION

FIG. 1 is a front, right perspective view of a single element of the vial holder element assembly shown separately for clarity of illustration showing our new design; FIG. 2 is a top plan view of a single element of the vial holder element assembly shown separately for clarity of illustration; FIG. 3 is a left side elevation view of a single element of the vial holder element assembly shown separately for clarity of illustration with the right side elevation view being a mirror image; FIG. 4 is a rear side elevation view of a single element of the vial holder element assembly shown separately for clarity of illustration with the front side elevation view being a mirror image; FIG. 5 is a front, right exploded perspective view of the vial holder element assembly; and, FIG. 6 is a front, right perspective view of the vial holder element assembly. The broken lines showing vials in FIG. 5 are for purposes of illustrating environmental structure and form no part of the claimed ornamental design. The broken lines showing the alignment of the assembly between the elements of the vial holder element assembly in FIG. 5 also form no part of the claimed design.

1 Claim, 2 Drawing Sheets



(56)

References Cited

U.S. PATENT DOCUMENTS

D594,702 S * 6/2009 Sax D7/515
D596,306 S * 7/2009 Levine D24/214
D596,489 S * 7/2009 Weiss D9/519
D602,311 S * 10/2009 Finell D7/629
D642,230 S * 7/2011 Kessler D21/662
D650,280 S * 12/2011 de Peyerimhoff D9/454

D661,540 S * 6/2012 Facey D7/354
D665,266 S * 8/2012 Gelin D9/668
D704,567 S * 5/2014 Sanders D9/519
D711,247 S * 8/2014 Sanders D9/519
D711,988 S * 8/2014 Gubany D21/709
D724,679 S * 3/2015 Martyn D21/707
D724,680 S * 3/2015 Rub D21/398
D730,014 S * 5/2015 Bell D99/5
D733,498 S * 7/2015 Matharu D7/300

* cited by examiner

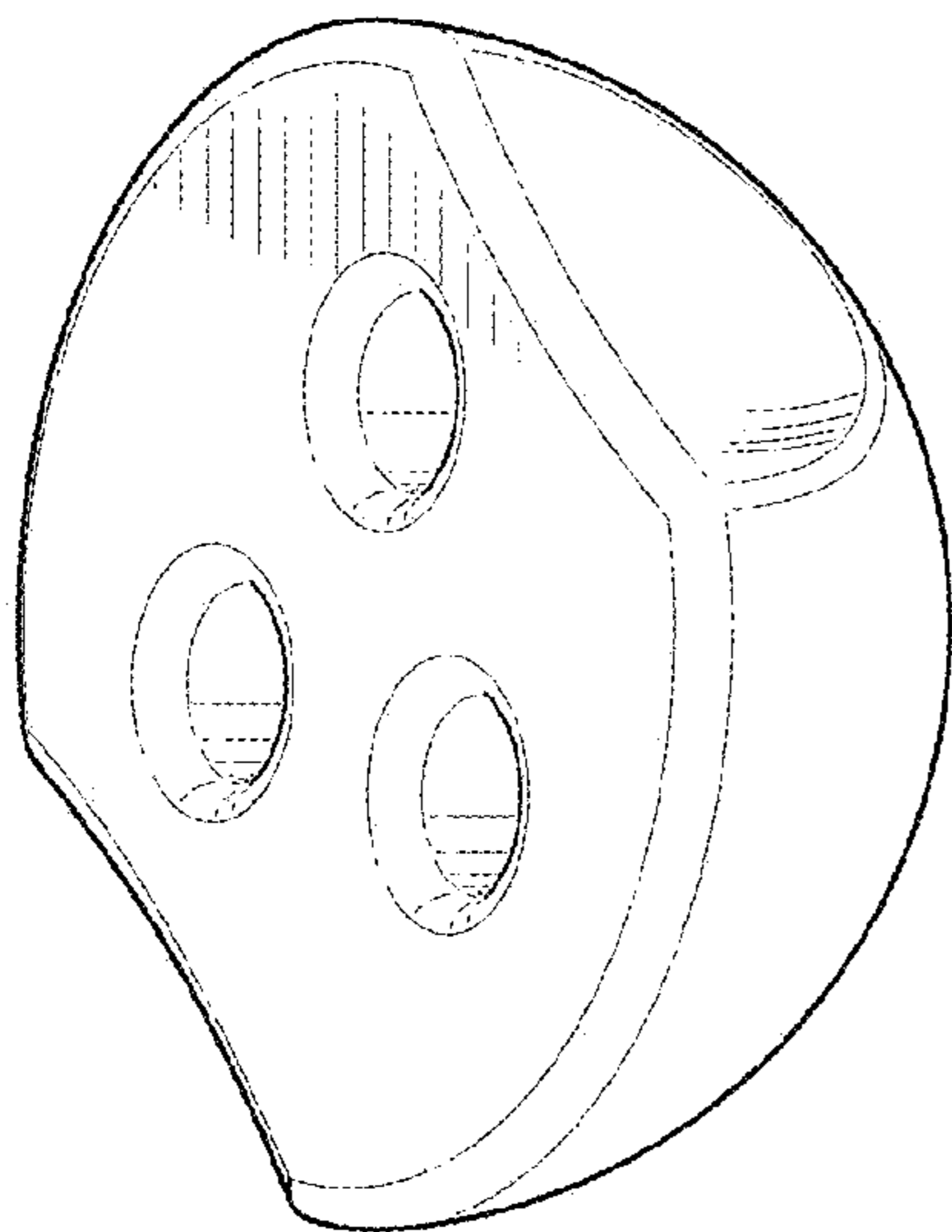


FIG. 1

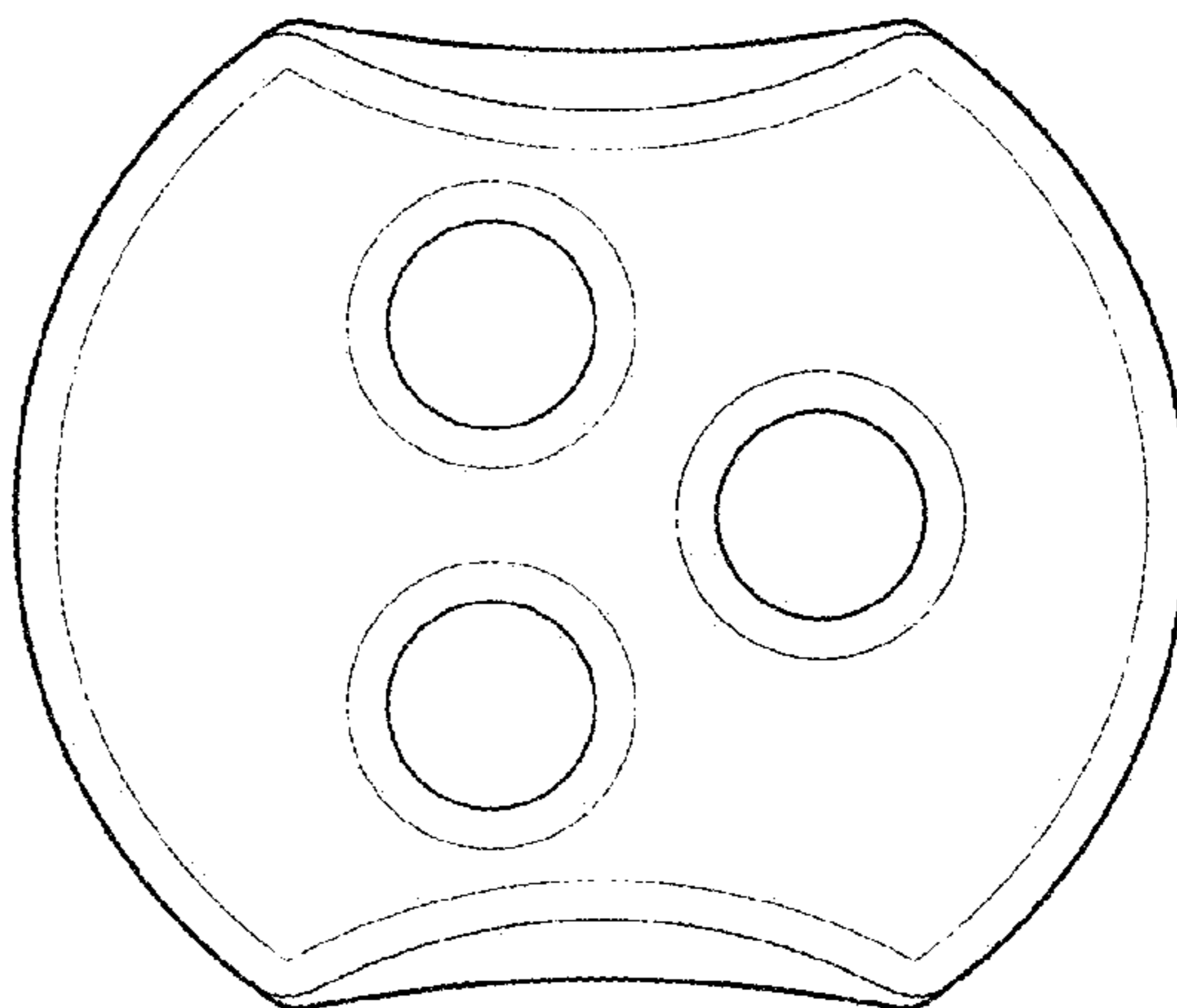


FIG. 2

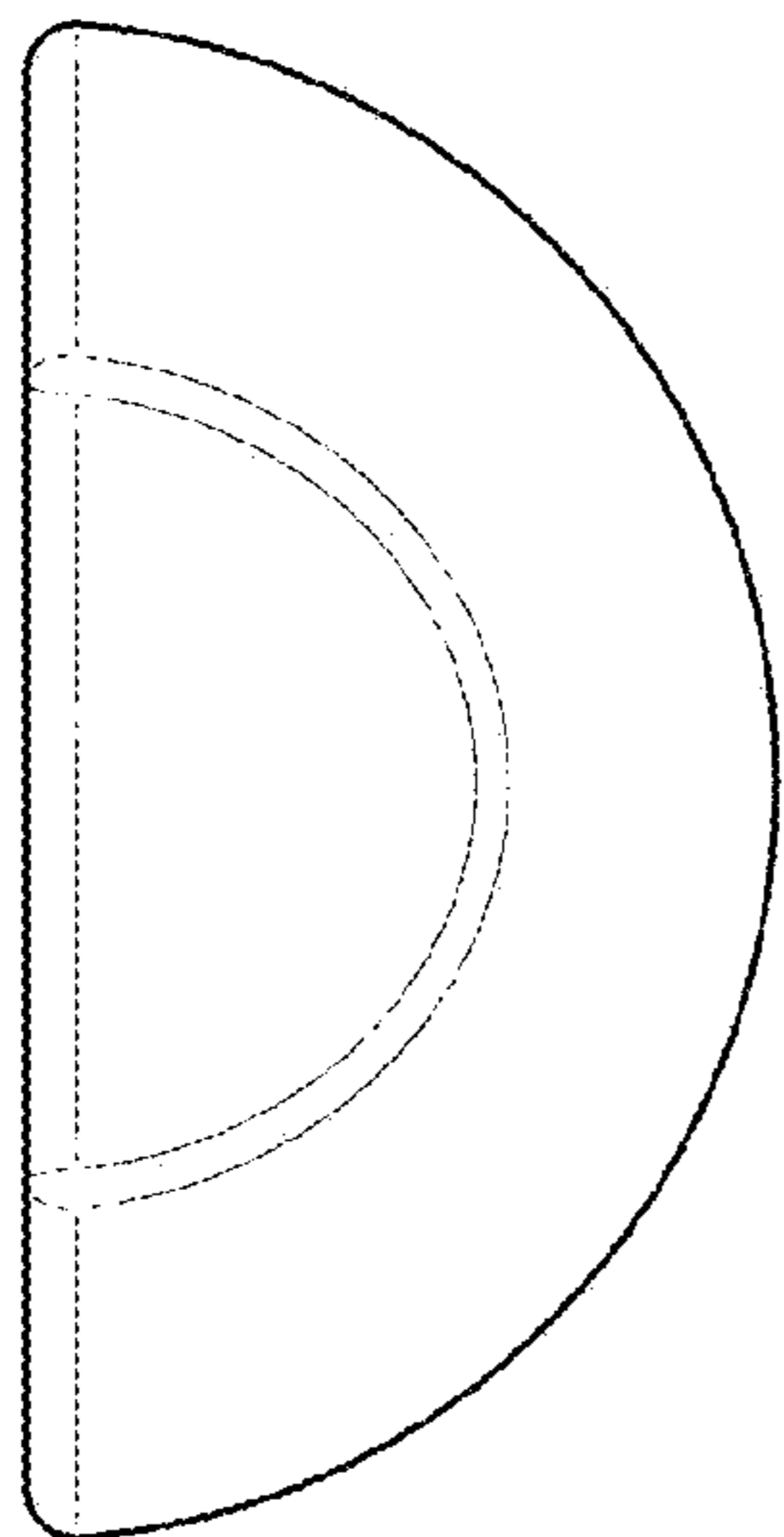


FIG. 3

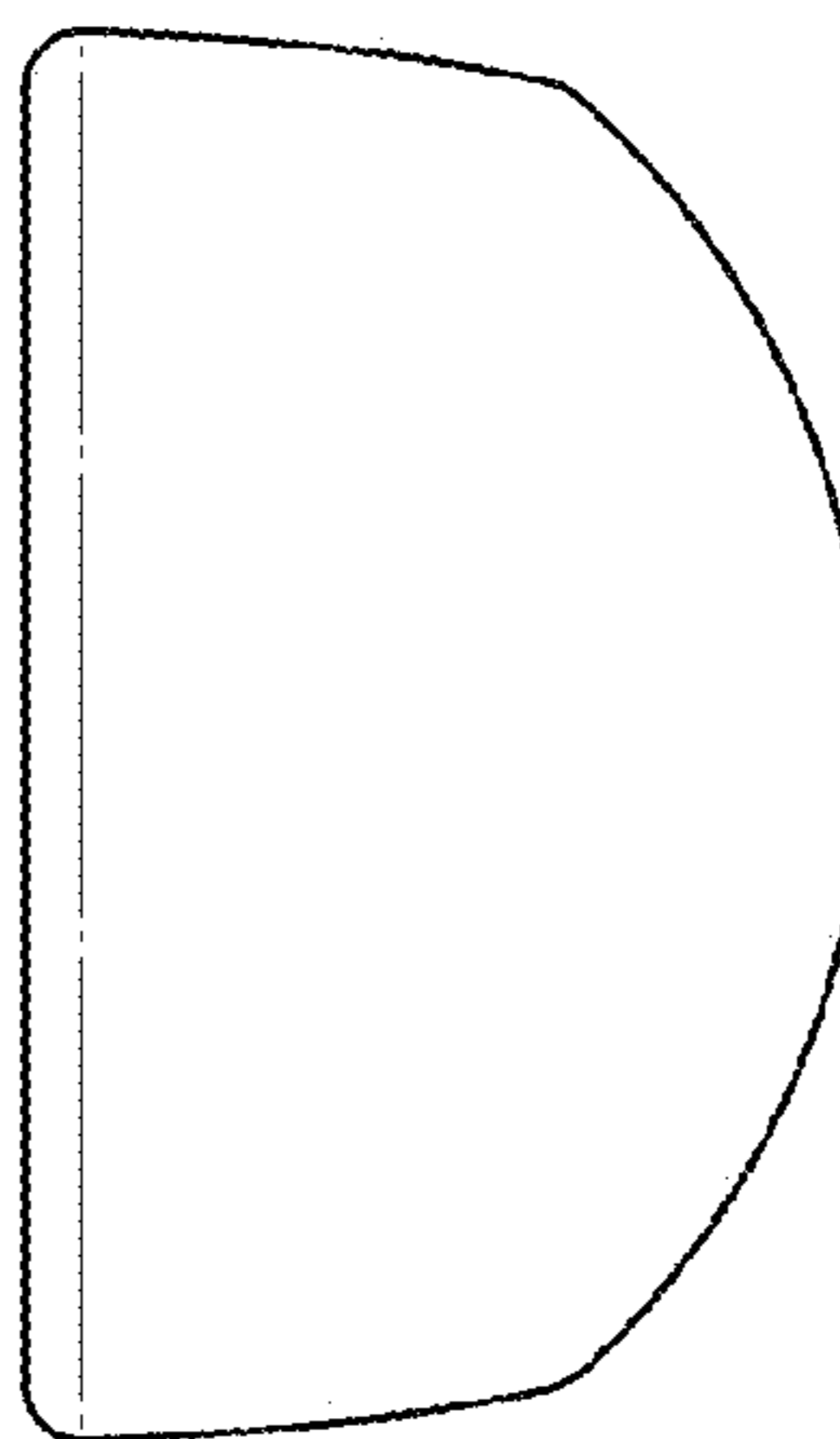


FIG. 4

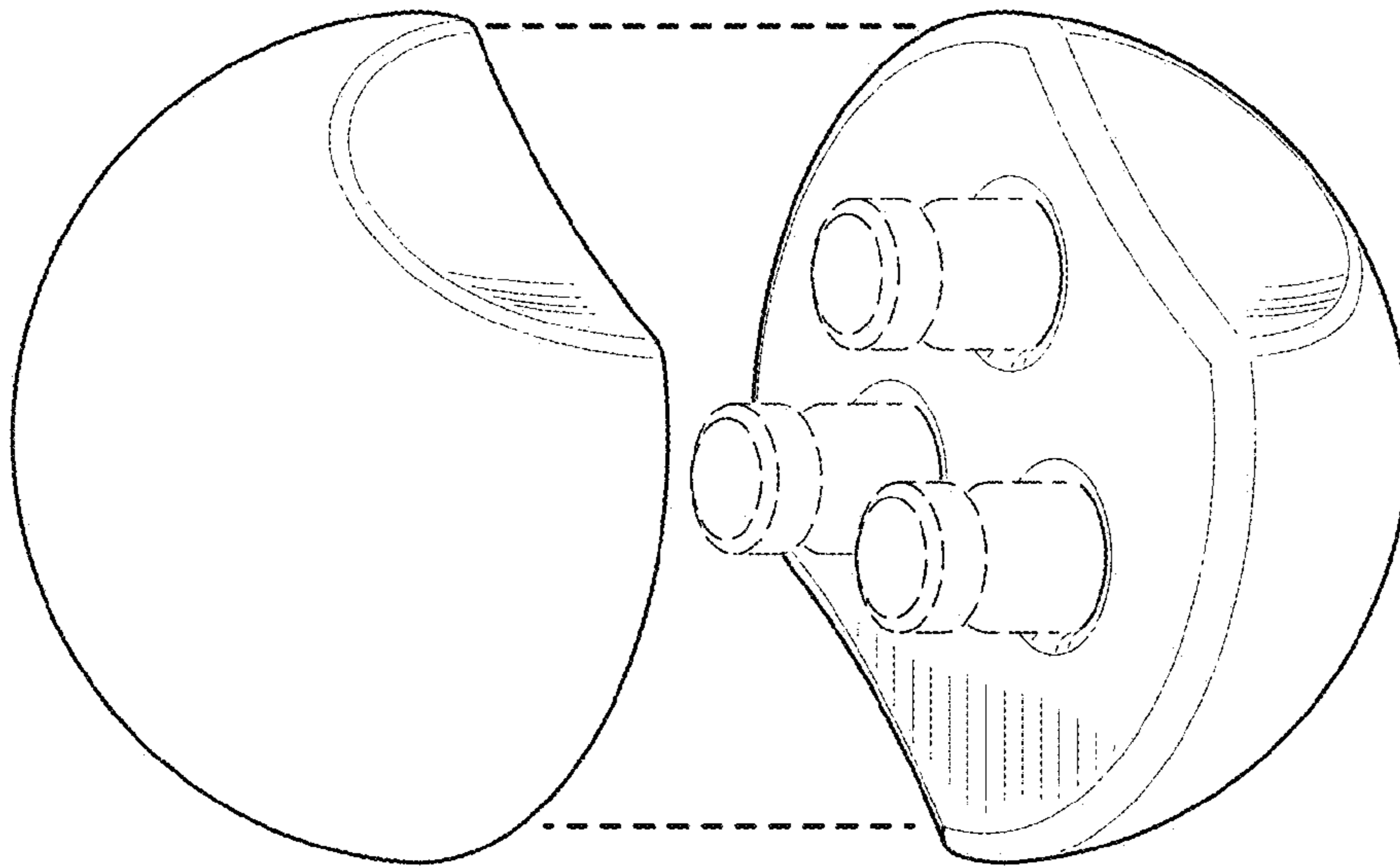


FIG. 5

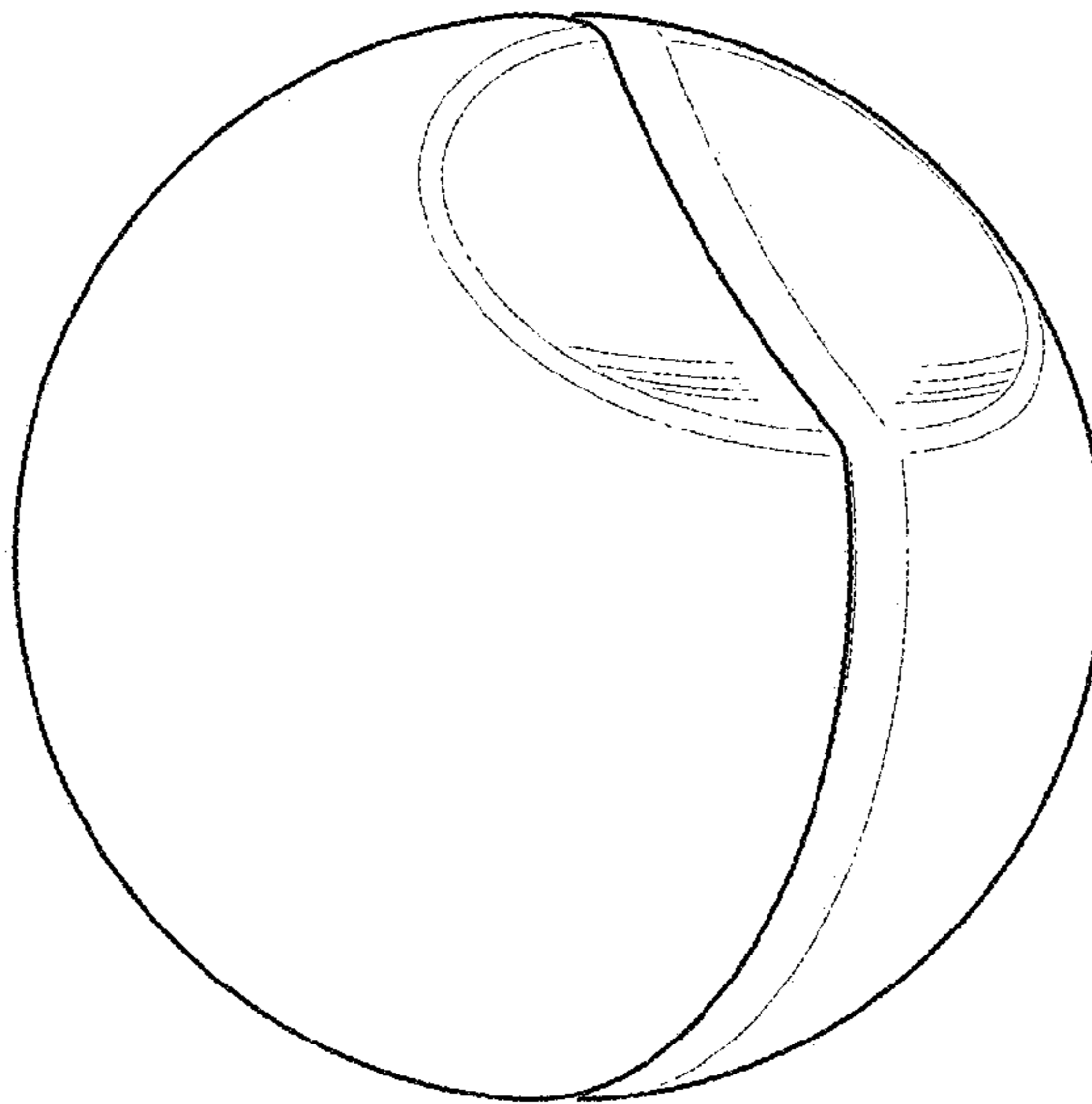


FIG. 6