



US00D750798S

(12) **United States Design Patent**
Yosef et al.

(10) **Patent No.:** **US D750,798 S**
(45) **Date of Patent:** **** Mar. 1, 2016**

(54) **CONTROLLER FOR AN ELECTRIC MASSAGER**

(71) Applicant: **IQ Technologies Inc.**, Las Vegas, NV (US)

(72) Inventors: **Elli Yosef**, Las Vegas, NV (US); **Yoni Yosef**, Las Vegas, NV (US)

(**) Term: **14 Years**

(21) Appl. No.: **29/518,465**

(22) Filed: **Feb. 24, 2015**

(51) **LOC (10) Cl.** **28-03**

(52) **U.S. Cl.**
USPC **D24/215**

(58) **Field of Classification Search**
USPC D24/200, 211, 212, 213, 214, 215;
601/114, 120, 121, 124, 125, 130, 131,
601/134, 135, 136, 137; D14/218
CPC A61H 19/30; A61H 19/32; A61H 19/34;
A61H 19/40; A61H 19/44; A61H 19/50;
A61H 19/00; A61H 2201/0153; A61H
2201/0207; A61H 2201/0263; A61H
2201/0111; A61H 2201/1253; A61H
2205/082; A61H 2205/085; A61H 15/0085

See application file for complete search history.

(56) **References Cited**

U.S. PATENT DOCUMENTS

3,234,933	A *	2/1966	Martin	A61H 23/0263 601/41
D400,262	S *	10/1998	Hirakawa	D24/215
6,389,319	B1 *	5/2002	Lee	A61N 1/32 607/115
D487,592	S *	3/2004	Chang	D24/215
D629,528	S *	12/2010	Adkisson	D24/215
D630,188	S *	1/2011	Daniels	D14/218
D634,734	S *	3/2011	Cho	D14/218
D654,055	S *	2/2012	Won	D14/218
D675,747	S *	2/2013	Luying	D24/215
D676,142	S *	2/2013	Chen	D24/215
D716,963	S	11/2014	Yosef et al.		
D723,178	S *	2/2015	Chen	D24/215
D732,682	S *	6/2015	Porat	D24/215

* cited by examiner

Primary Examiner — Sandra Snapp

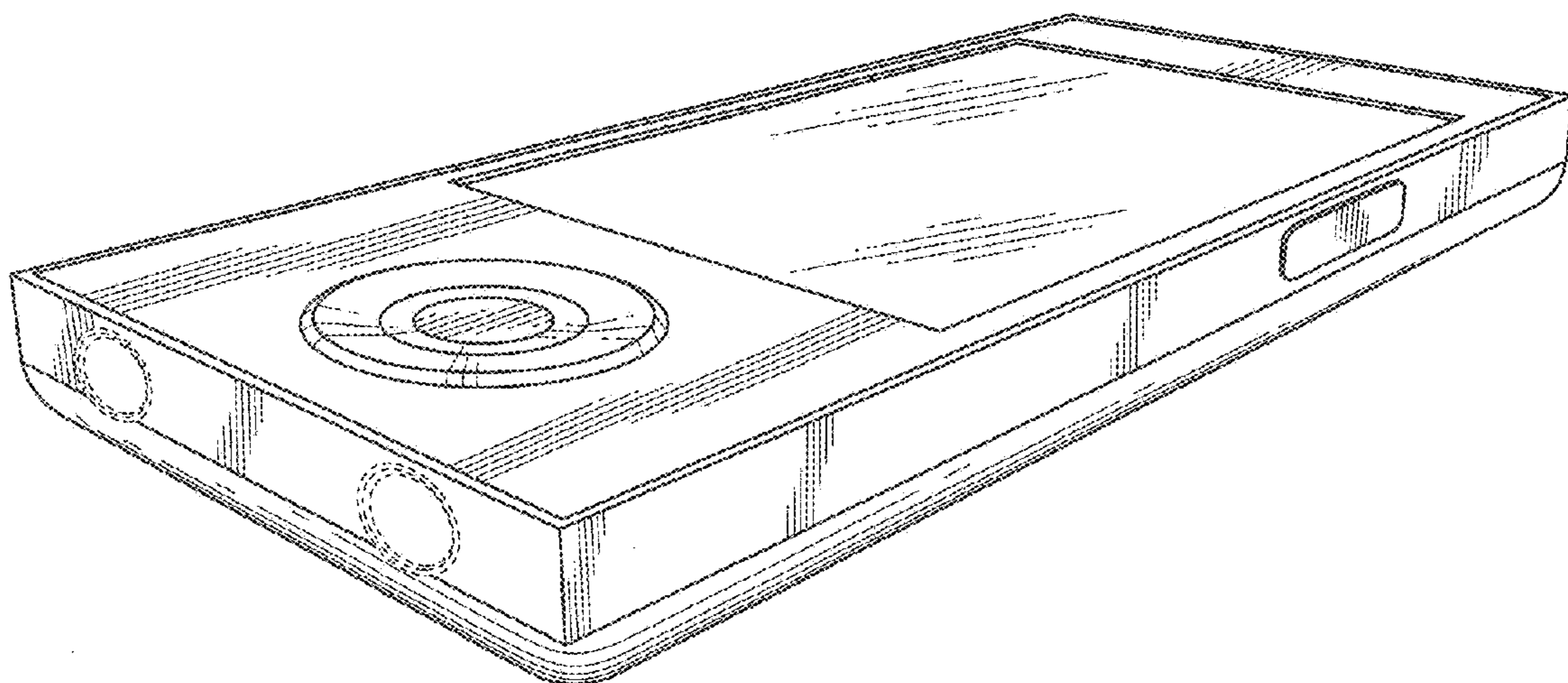
(57) **CLAIM**

The ornamental design for a controller for an electric massager, as shown and described.

DESCRIPTION

FIG. 1 is a front elevational view of a controller for an electrical massager showing our new design; FIG. 2 is a first perspective view thereof; FIG. 3 is a second perspective view thereof; FIG. 4 is a rear elevational view thereof; FIG. 5 is a left side elevational view thereof; FIG. 6 is a right side elevational view thereof; FIG. 7 is a top plan view thereof; and, FIG. 8 is a bottom plan view thereof.

1 Claim, 6 Drawing Sheets



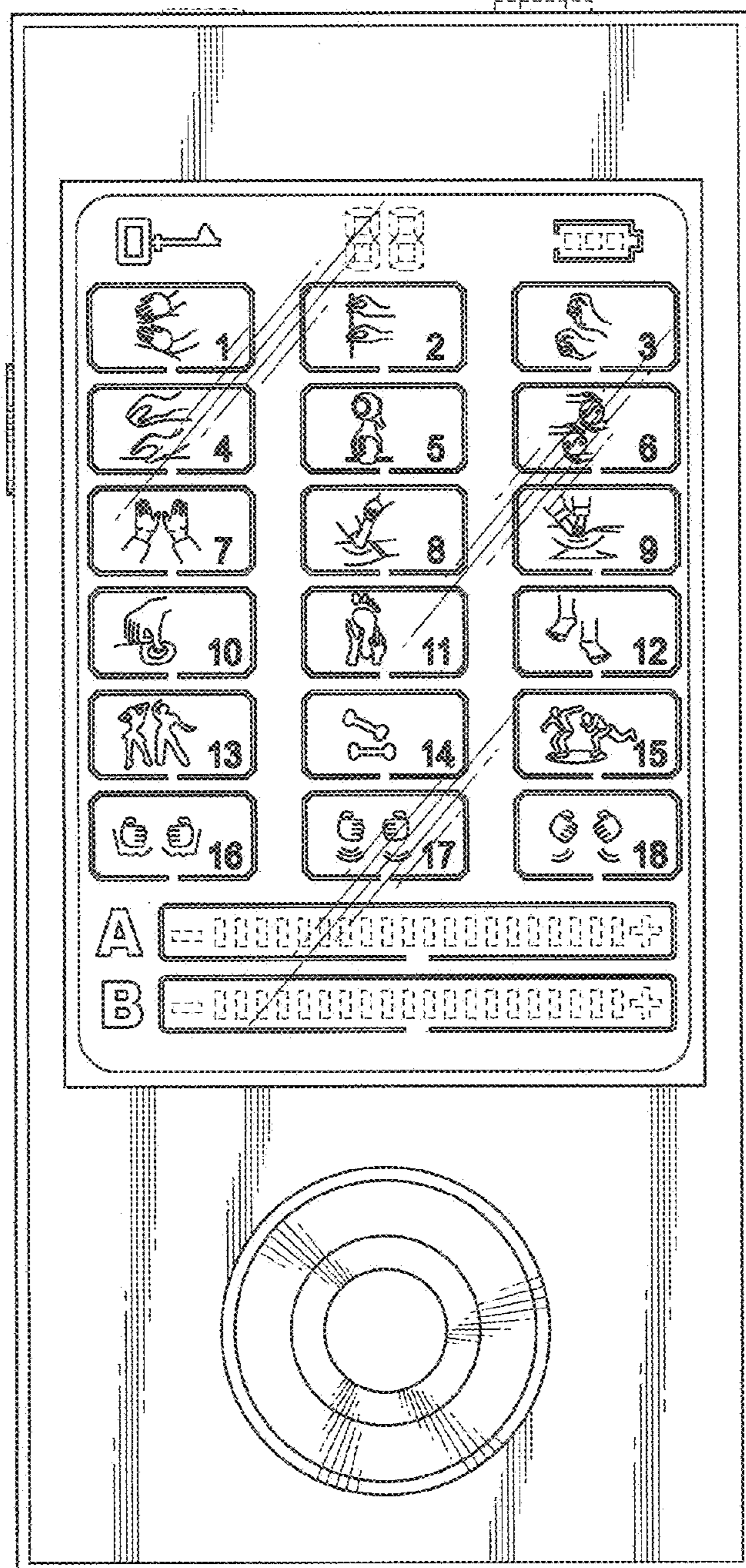


FIG. 1

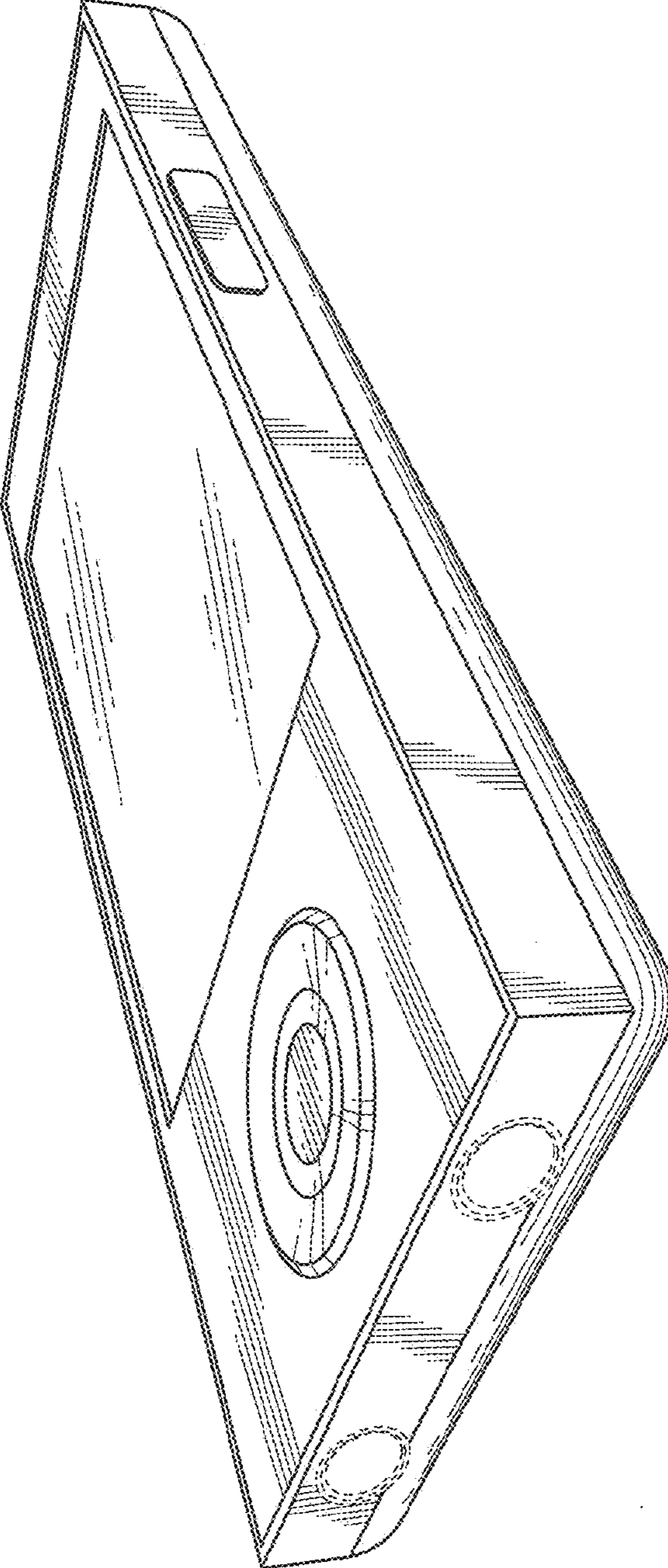


FIG. 2

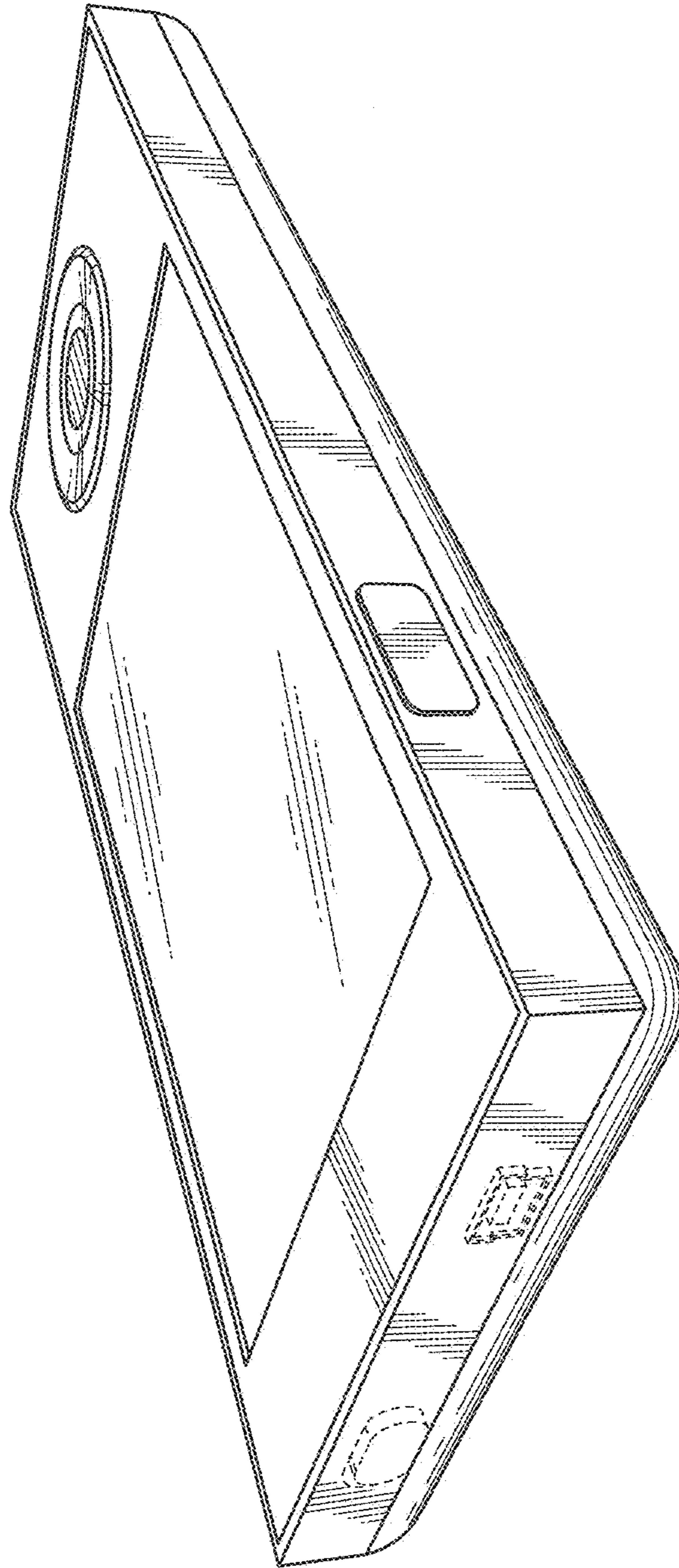


FIG. 3

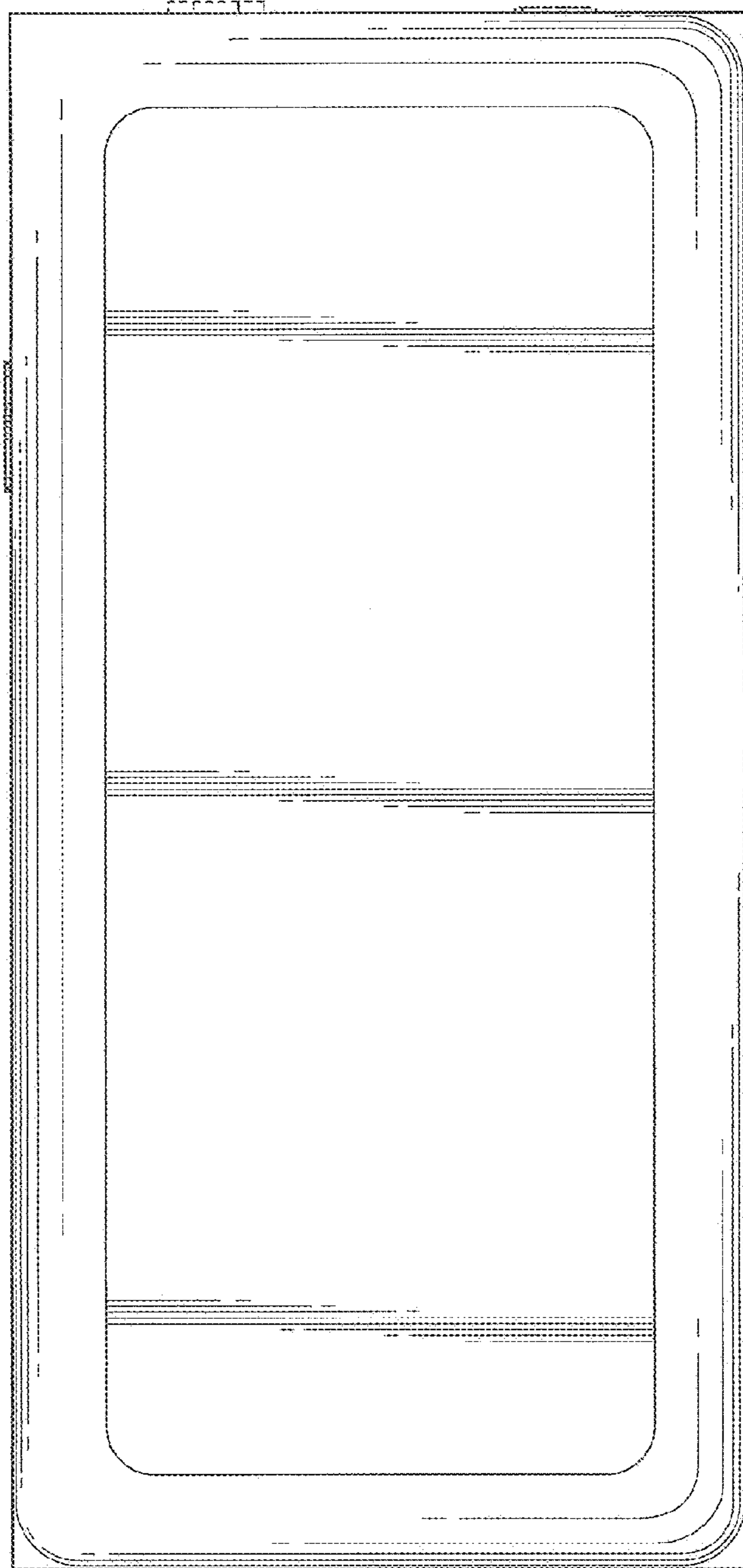


FIG. 4

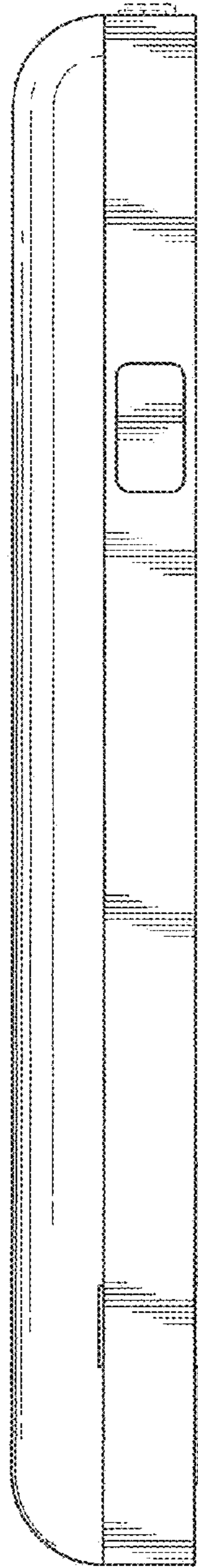


FIG. 5

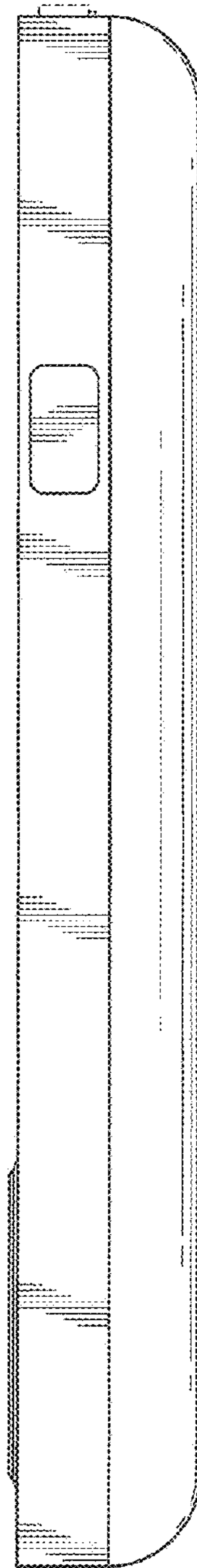


FIG. 6

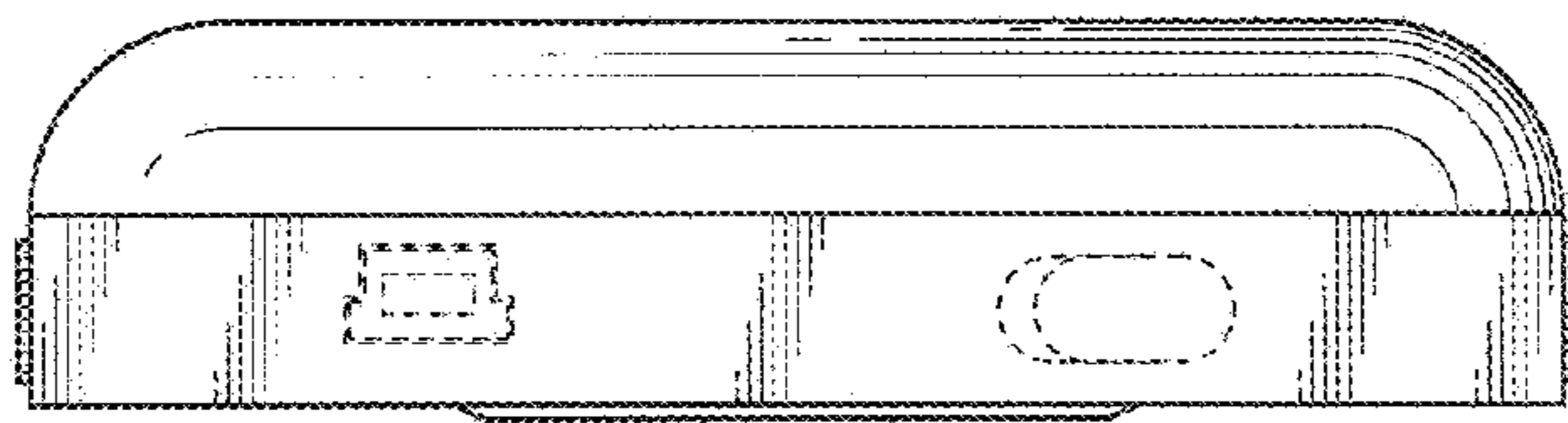


FIG. 7

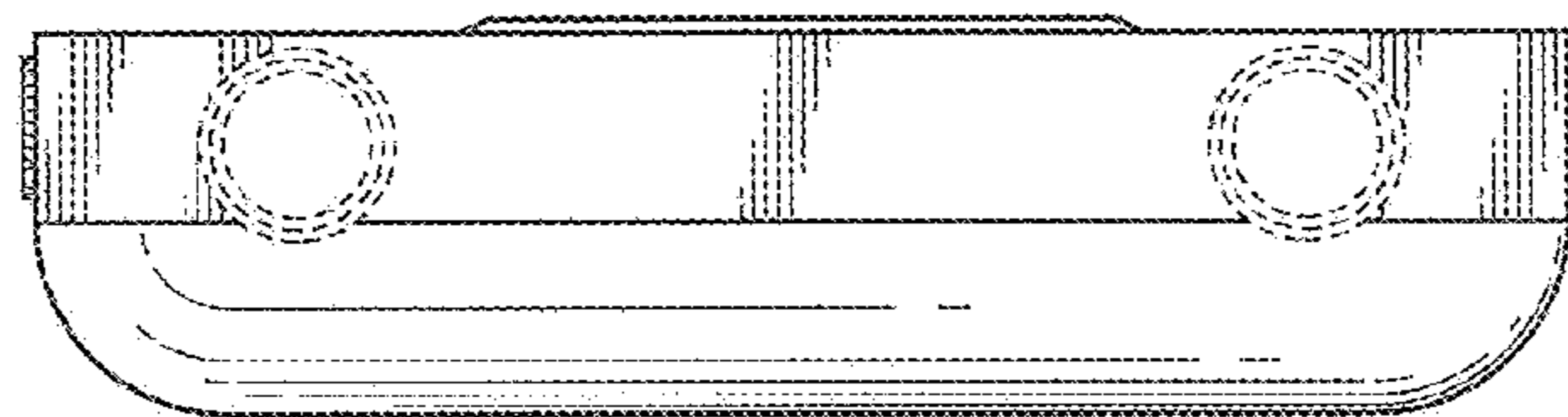


FIG. 8