



US00D750796S

(12) **United States Design Patent**  
**Bains**

(10) **Patent No.:** **US D750,796 S**  
(45) **Date of Patent:** **\*\* Mar. 1, 2016**

- (54) **CANE SHAPED MASSAGING TOOL**
- (71) Applicant: **Rip Bains**, Livermore, CA (US)
- (72) Inventor: **Rip Bains**, Livermore, CA (US)
- (\*\*) Term: **15 Years**
- (21) Appl. No.: **29/533,883**
- (22) Filed: **Jul. 22, 2015**
- (51) **LOC (10) Cl.** ..... **28-03**
- (52) **U.S. Cl.**  
USPC ..... **D24/214**
- (58) **Field of Classification Search**  
USPC ..... D24/200, 211, 212, 213, 214, 215;  
601/19, 27-32, 46, 49, 52, DIG. 12,  
601/DIG. 14, DIG. 15, DIG. 16, DIG. 17, 48  
CPC ..... A61H 2201/0153; A61H 2201/0207;  
A61H 2201/0263; A61H 2201/0111; A61H  
2201/1253; A61H 2205/082; A61H 2201/085;  
A61H 15/0085; A61H 19/00; A61H 19/30;  
A61H 19/32; A61H 19/40; A61H 19/44;  
A61H 19/50  
See application file for complete search history.

D444,566	S *	7/2001	Thomas	.....	D24/214
6,261,251	B1 *	7/2001	Meyers	.....	A61H 7/001 601/134
D456,909	S *	5/2002	Szabo	.....	D24/214
D461,009	S *	7/2002	Viner	.....	D24/214
6,758,826	B2 *	7/2004	Luetngen	.....	A61H 19/34 601/135
6,988,997	B2	1/2006	Stultz		
D554,270	S *	10/2007	Ano	.....	D24/214
7,335,171	B2	2/2008	Ewell et al.		
D646,794	S *	10/2011	Hennessey	.....	D24/214
D690,431	S *	9/2013	Nohr	.....	D24/215
D698,936	S *	2/2014	Pudhnum	.....	D24/215
D722,176	S *	2/2015	Gutman	.....	D24/215
2005/0015028	A1	1/2005	Luetngen		
2005/0113726	A1	5/2005	Prettyman		
2011/0224588	A1	9/2011	Grippio		
2012/0271345	A1	10/2012	Torres		
2013/0023807	A1	1/2013	Hennessey		
2013/0066245	A1	3/2013	Dagan		

\* cited by examiner

*Primary Examiner* — Sandra Snapp  
(74) *Attorney, Agent, or Firm* — Andrew Alia

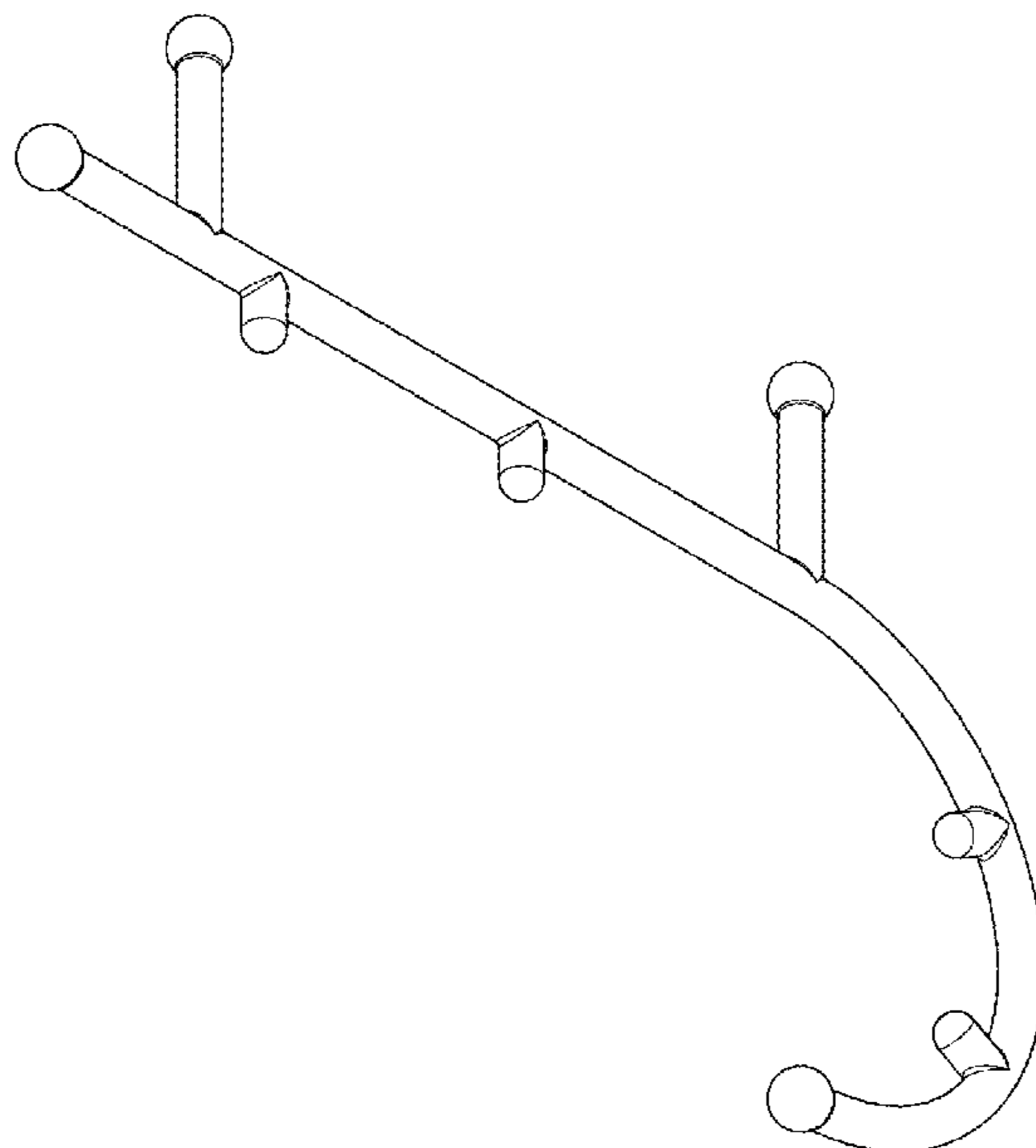
(57) **CLAIM**  
The ornamental design for a cane shaped massaging tool, as shown and described.

**DESCRIPTION**

- FIG. 1 is a front view.
- FIG. 2 is a left side view.
- FIG. 3 is a right side view.
- FIG. 4 is a rear view.
- FIG. 5 is a top view.
- FIG. 6 is a bottom view.
- FIG. 7 is a prospective side view; and,
- FIG. 8 is a perspective side view.

**1 Claim, 8 Drawing Sheets**

- (56) **References Cited**  
U.S. PATENT DOCUMENTS
- 4,266,536 A 5/1981 Casares
- D317,204 S \* 5/1991 Hennessey ..... D24/211
- 5,730,708 A 3/1998 Spratt
- D402,764 S \* 12/1998 Chatfield ..... D24/211
- D403,431 S \* 12/1998 Gladieux, Jr. .... D24/214
- D405,536 S \* 2/1999 Haynes ..... D24/214
- D423,676 S \* 4/2000 Lazio ..... D24/211
- D436,181 S \* 1/2001 Lazio ..... D24/214
- 6,241,693 B1 6/2001 Lambden



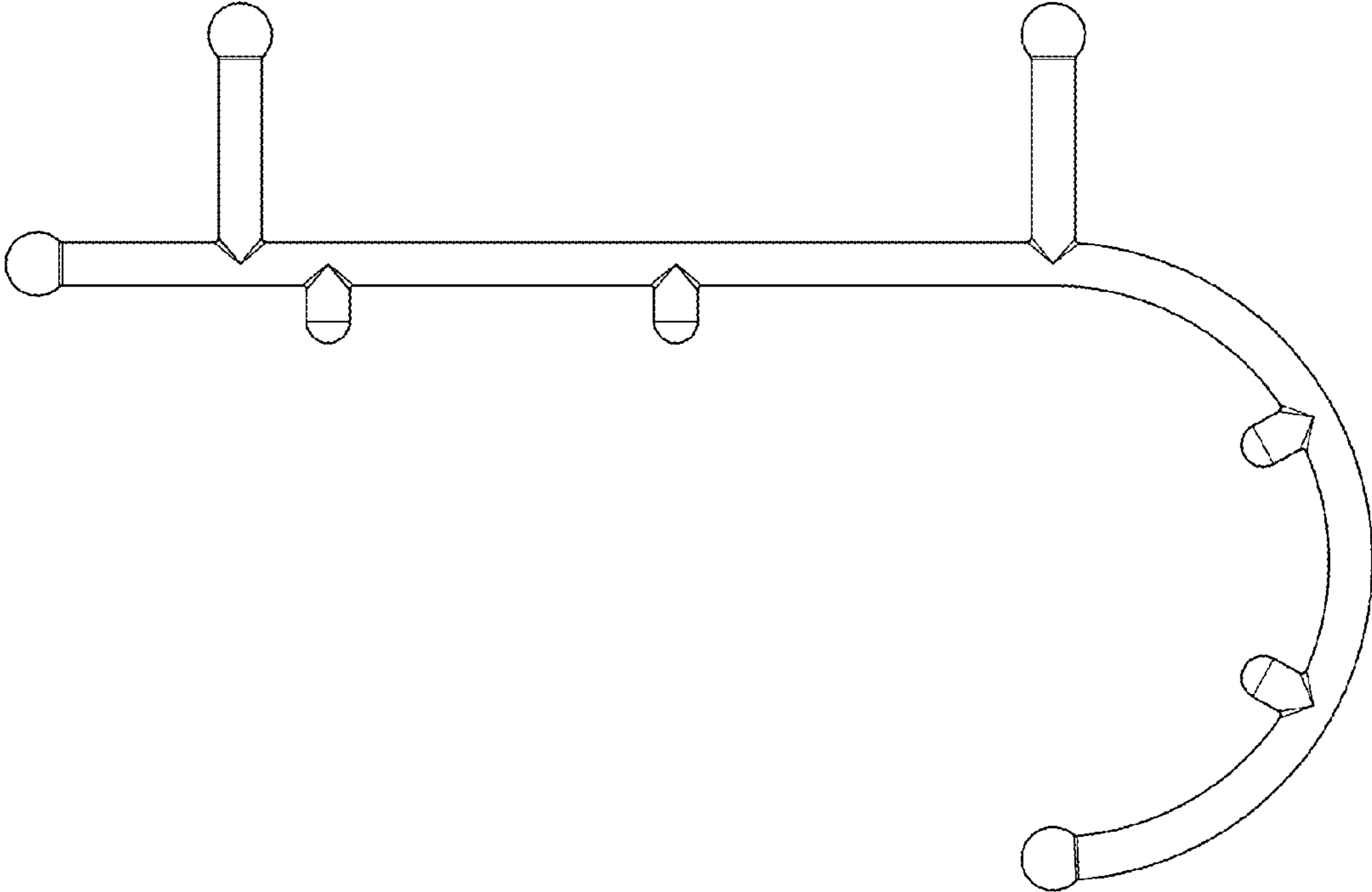


FIG. 1

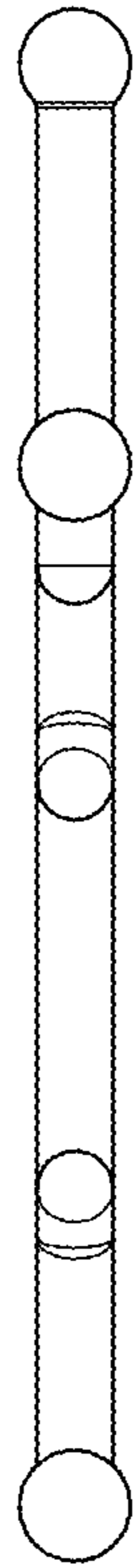


FIG. 2

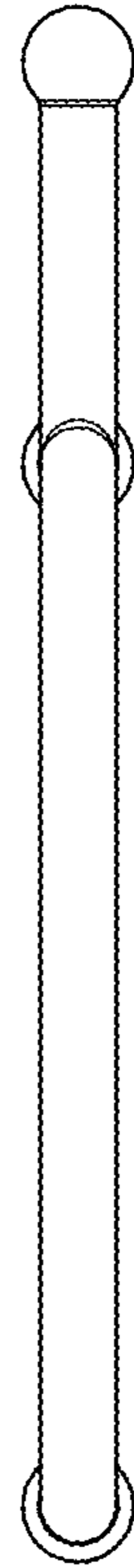


FIG. 3

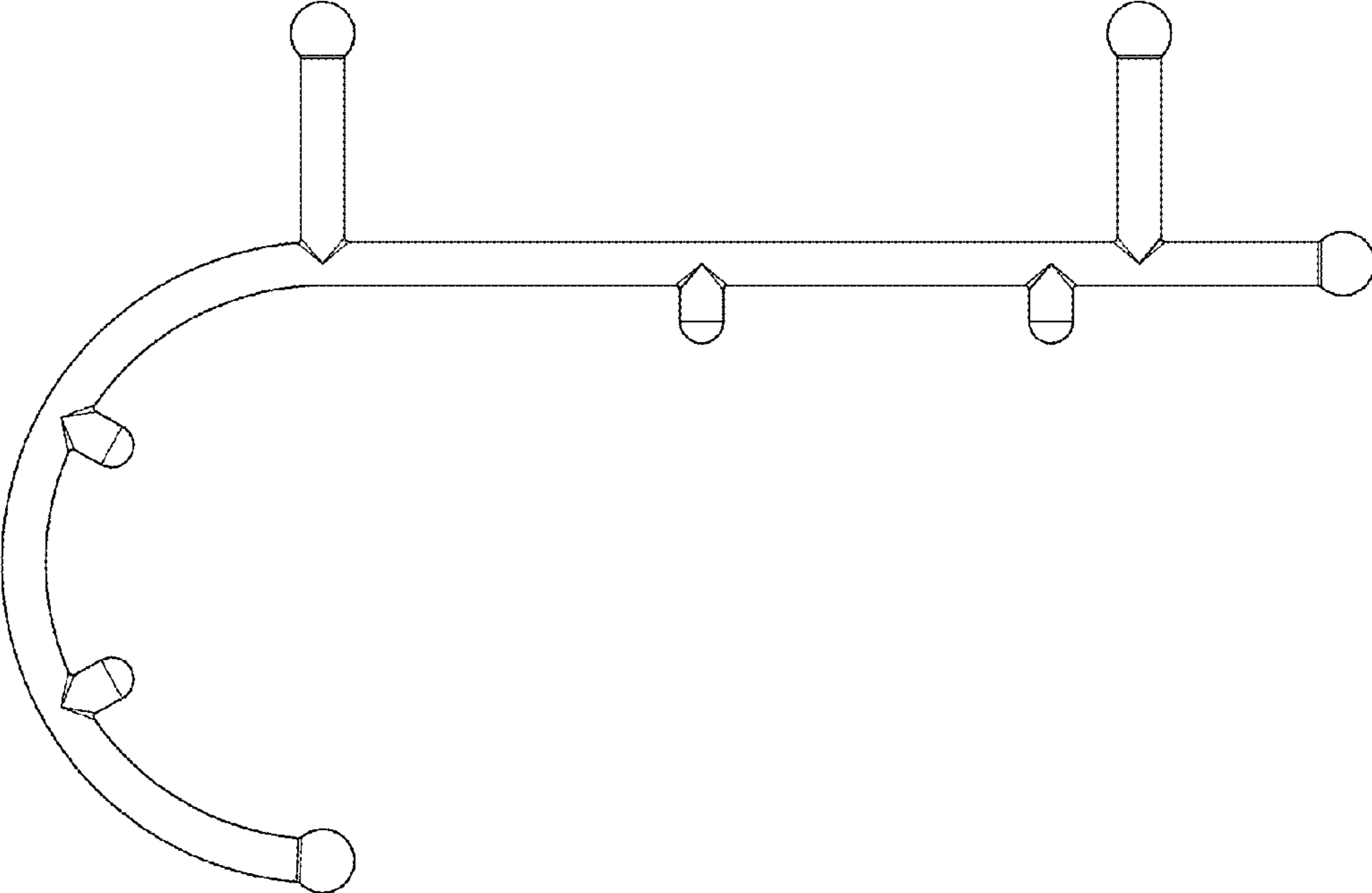


FIG. 4

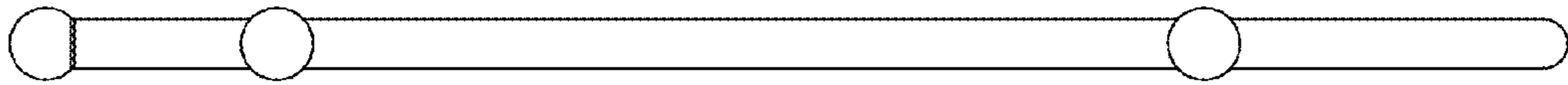


FIG. 5



FIG. 6

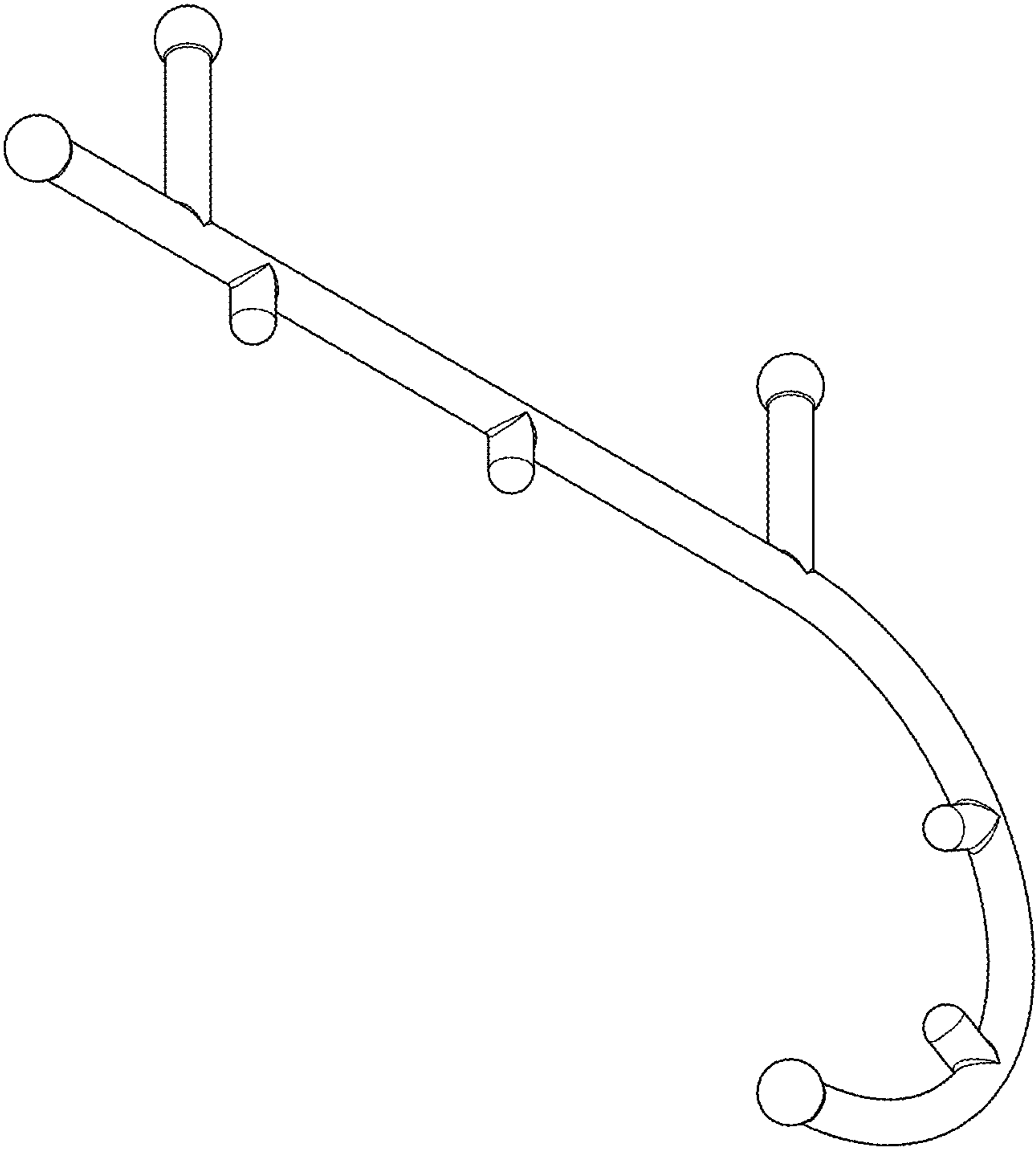


FIG. 7



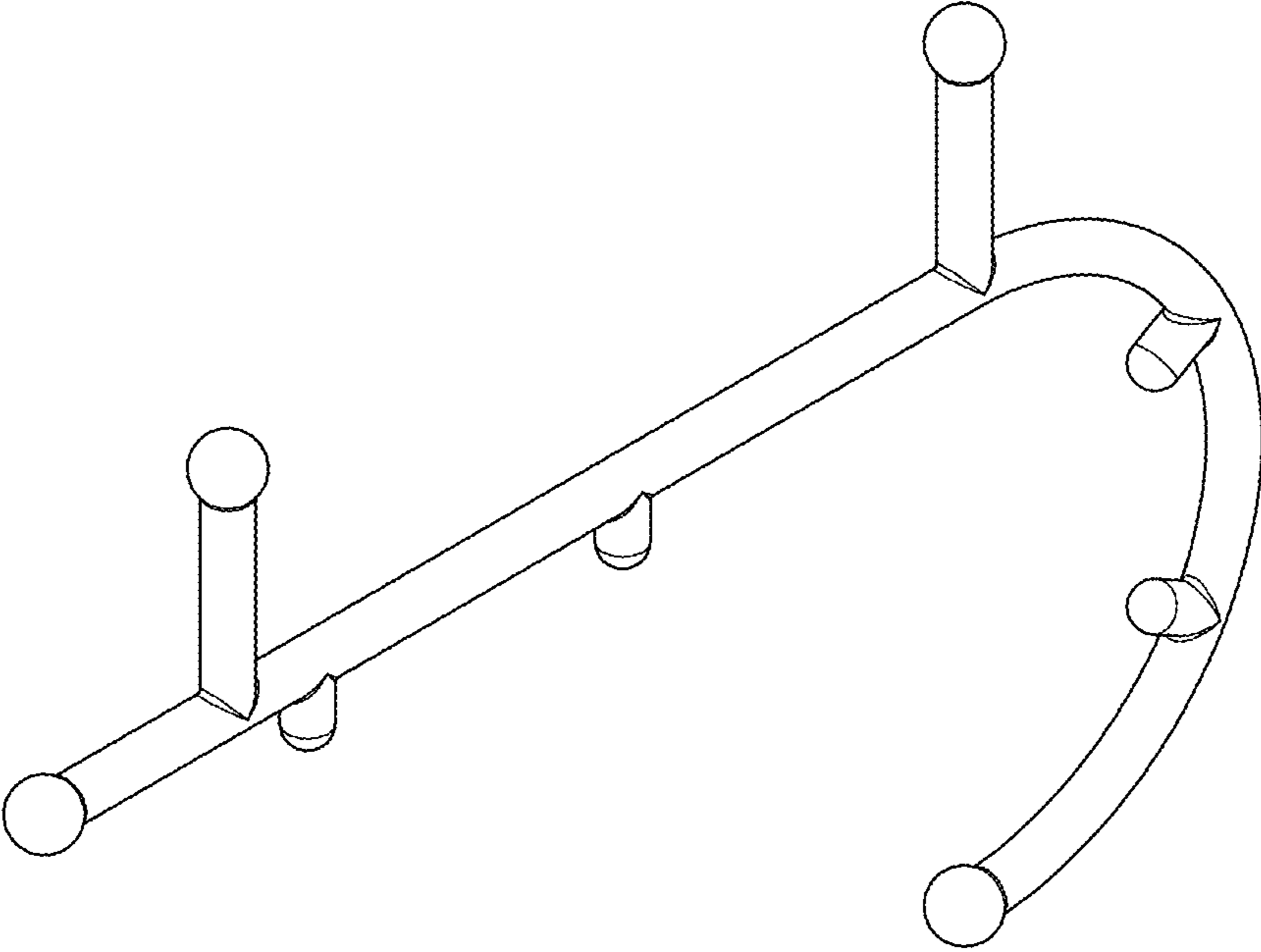


FIG. 8