



US00D750795S

(12) **United States Design Patent**
Cao

(10) **Patent No.:** **US D750,795 S**
(45) **Date of Patent:** **** Mar. 1, 2016**

(54) **FOOT TREATMENT DEVICE**

(71) Applicant: **Hao T Cao**, Ashburn, GA (US)

(72) Inventor: **Hao T Cao**, Ashburn, GA (US)

(**) Term: **14 Years**

(21) Appl. No.: **29/493,708**

(22) Filed: **Jun. 12, 2014**

(51) **LOC (10) Cl.** **28-03**

(52) **U.S. Cl.**
USPC **D24/212**

(58) **Field of Classification Search**
USPC D24/200, 211, 212, 213, 214, 215;
601/19, 27-32, 46, 49, 52, DIG. 12,
601/DIG. 14, DIG. 15, DIG. 16, DIG. 17, 48
CPC A61H 2201/0153; A61H 2201/0207;
A61H 2201/0263; A61H 2201/0111; A61H
2201/1253; A61H 2205/082; A61H 2205/085;
A61H 15/0085; A61H 19/00; A61H 19/30;
A61H 19/32; A61H 19/40; A61H 19/44;
A61H 19/50

See application file for complete search history.

(56) **References Cited**

U.S. PATENT DOCUMENTS

3,885,555 A *	5/1975	Nobbs	601/28
D280,868 S *	10/1985	Russell	D4/118
D362,074 S *	9/1995	Brown	D24/211
D428,996 S *	8/2000	Gonzales	D24/211
D584,863 S *	1/2009	Garry et al.	D30/158

* cited by examiner

Primary Examiner — Sandra Snapp

(74) *Attorney, Agent, or Firm* — Sturm & Fix LLP

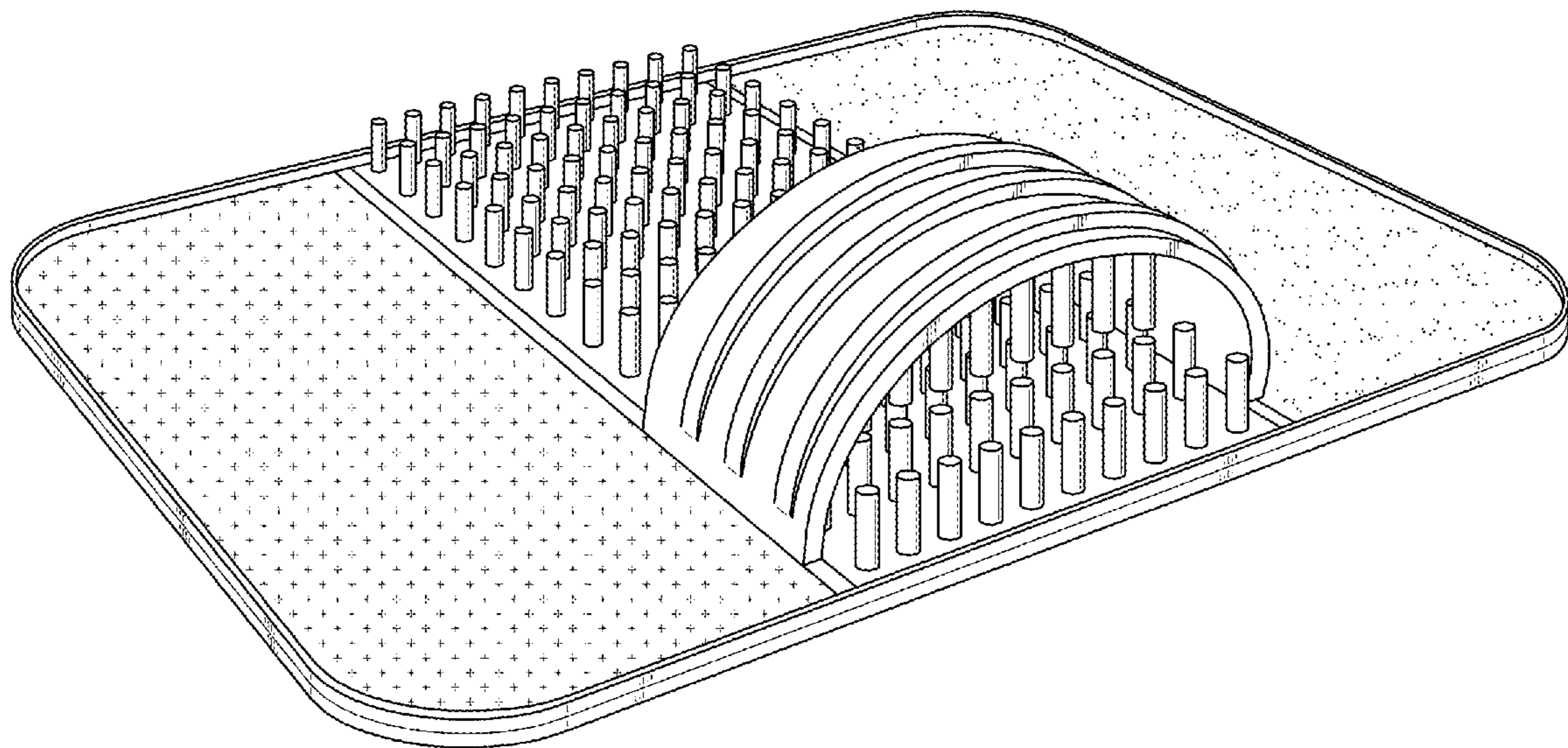
(57) **CLAIM**

The ornamental design for a foot treatment device, as shown and described.

DESCRIPTION

FIG. 1 is a front perspective view of the foot treatment device showing my new design;
FIG. 2 is a top plan view thereof;
FIG. 3 is a bottom plan view thereof
FIG. 4 is a front elevational view, the rear elevational view being identical thereto; and,
FIG. 5 is a left side elevational view thereof, the right side elevational view being identical thereto.

1 Claim, 5 Drawing Sheets



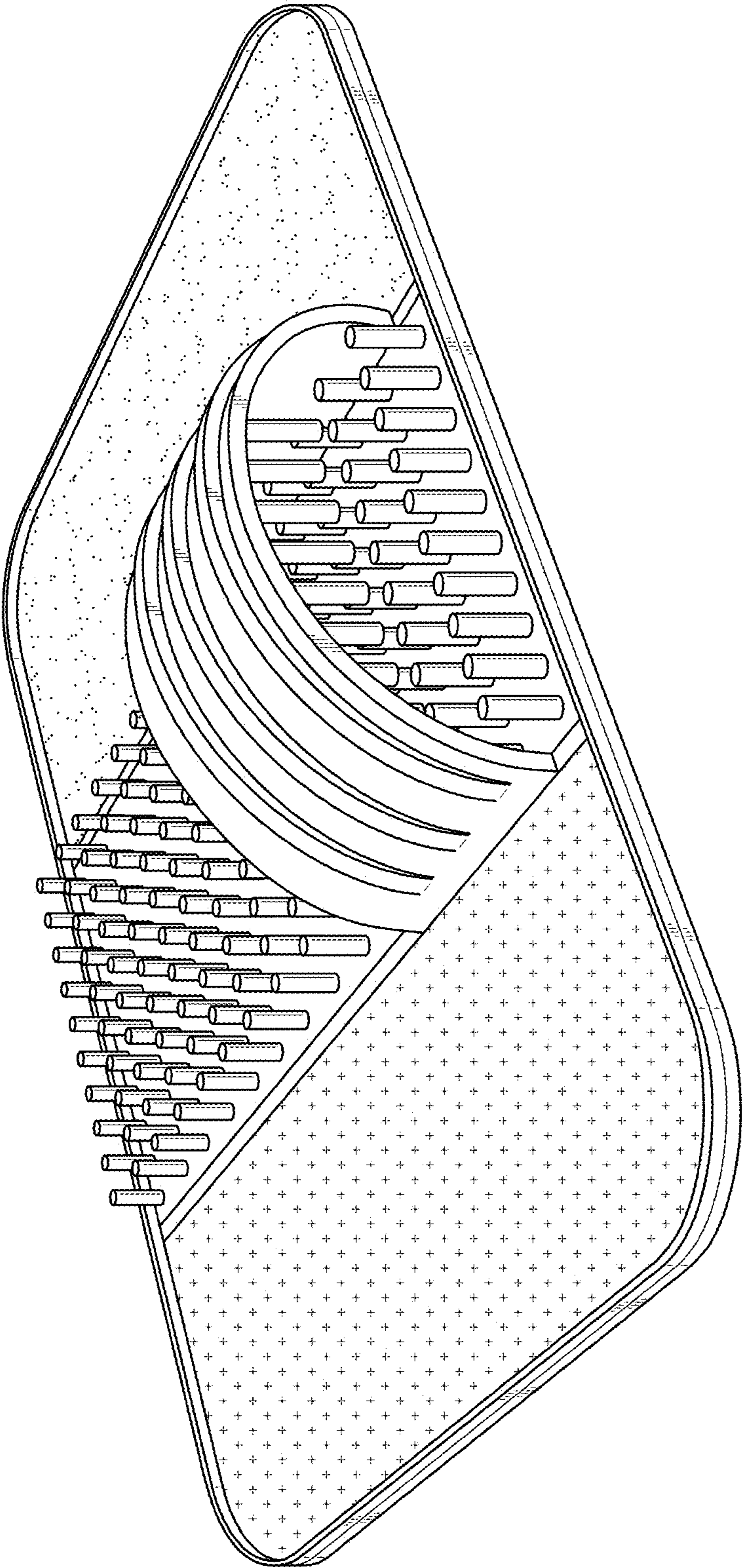


FIG. 1

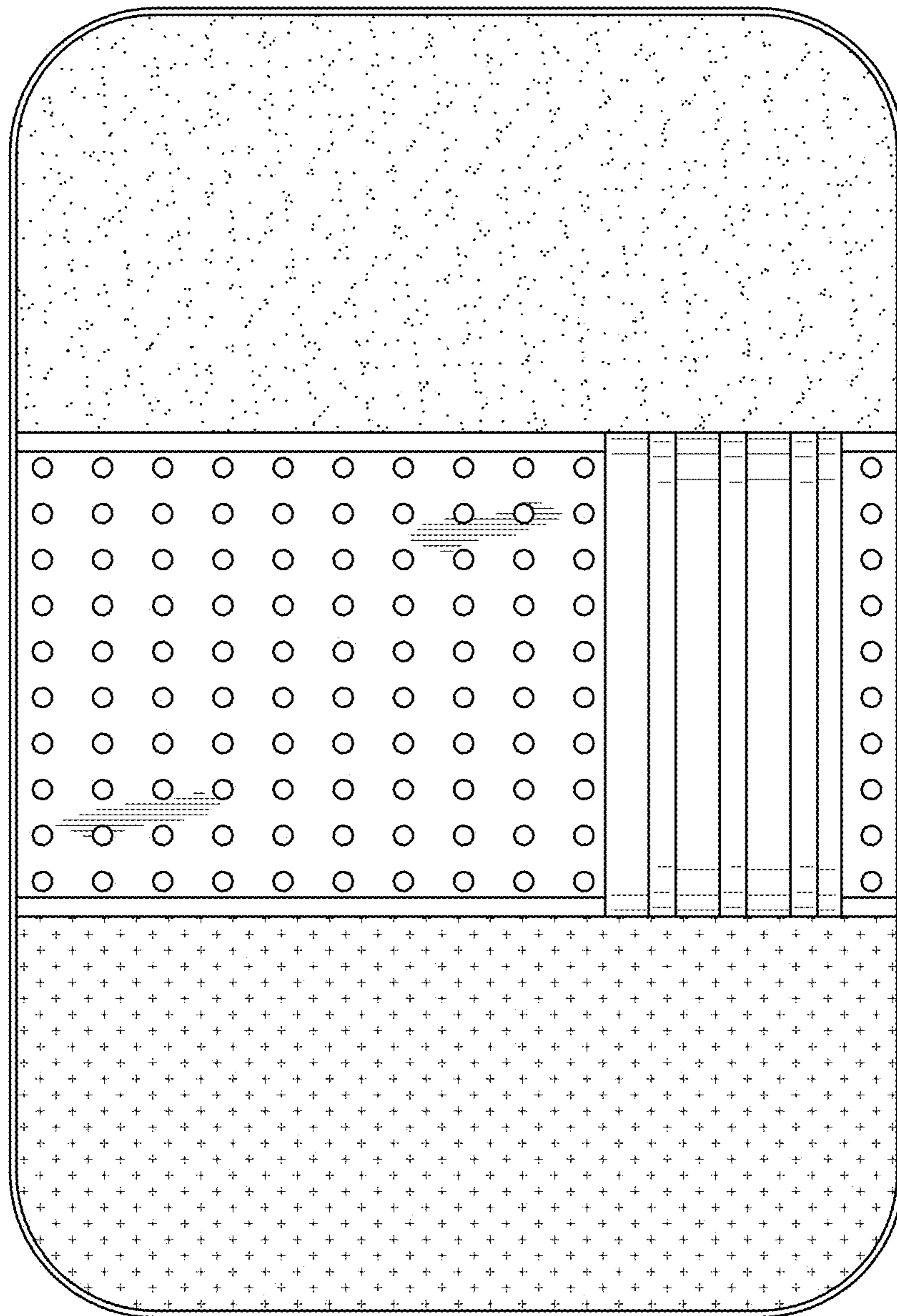


FIG. 2

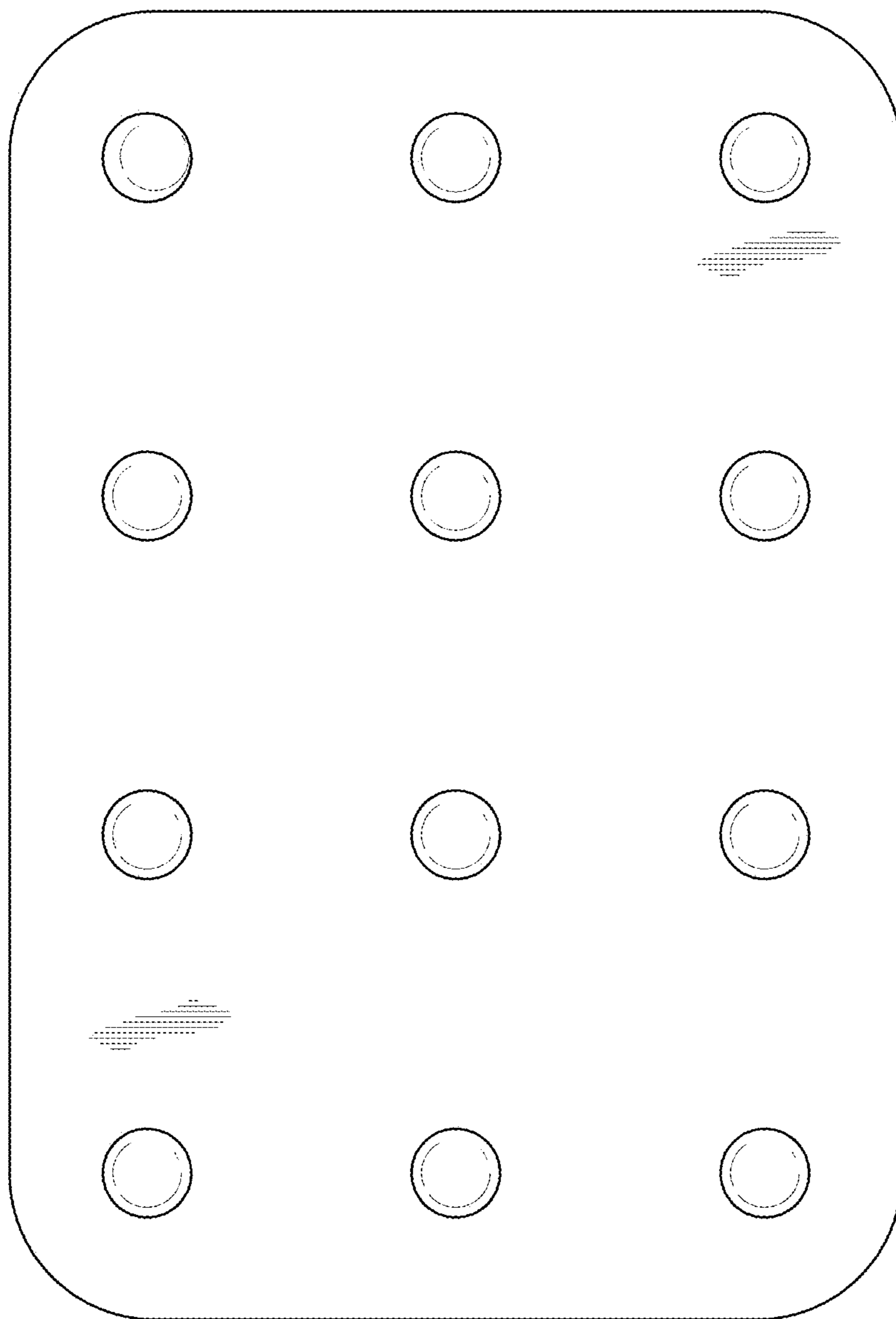


FIG. 3

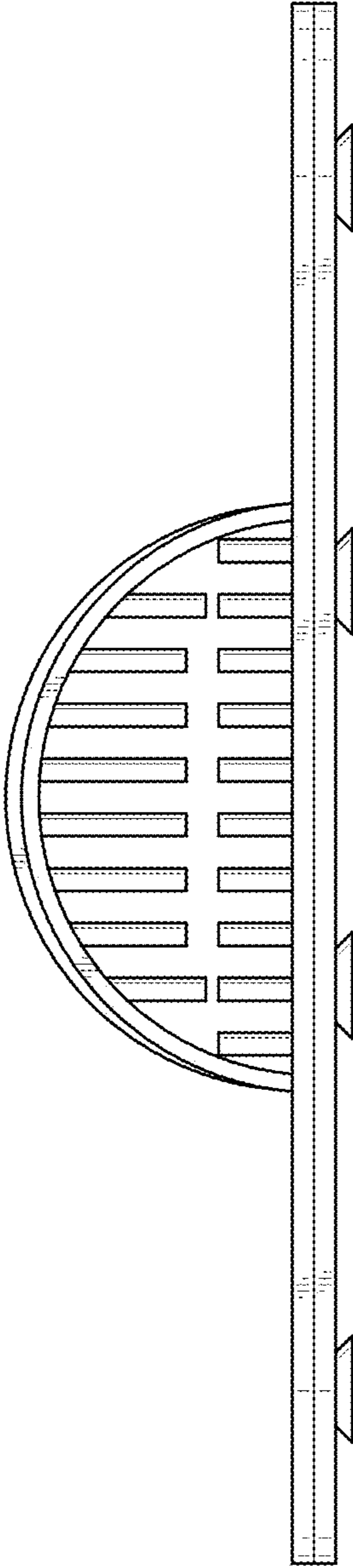


FIG. 4

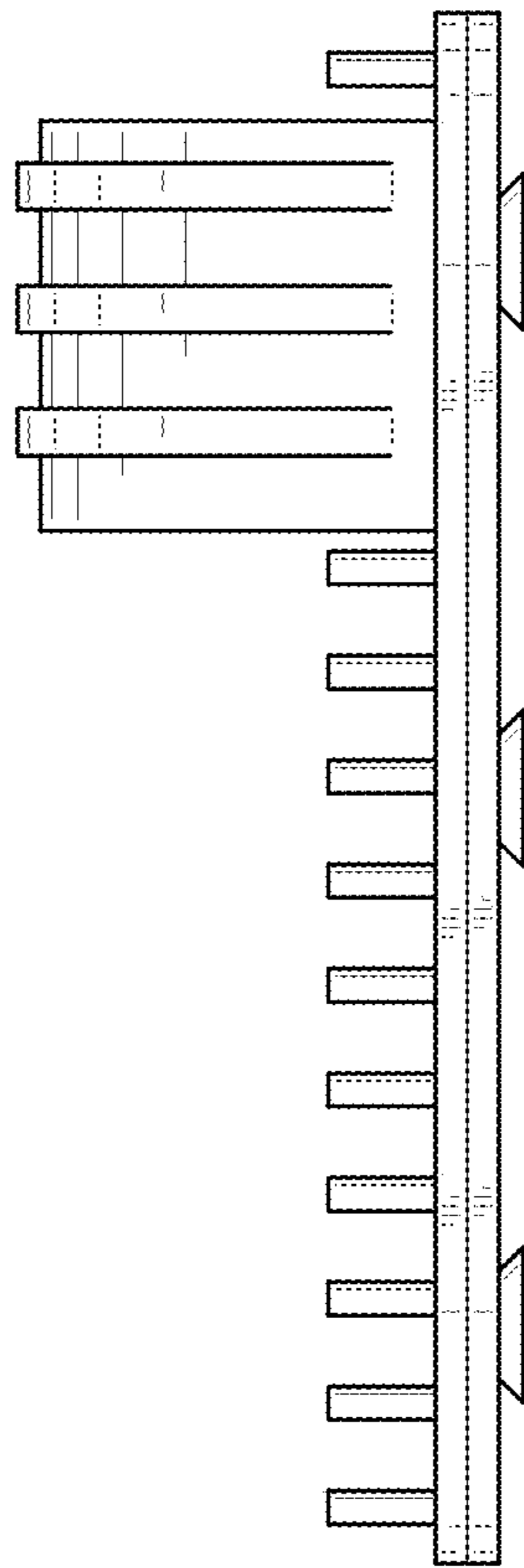


FIG. 5