

US00D750787S

(12) **United States Design Patent**  
**Asad et al.**

(10) **Patent No.:** **US D750,787 S**  
(45) **Date of Patent:** **\*\* Mar. 1, 2016**

- (54) **MEDICAL CONSOLE**
- (71) Applicant: **Hologic, Inc.**, Bedford, MA (US)
- (72) Inventors: **Kathryn Asad**, Cary, NC (US); **Mark A. Catron**, Superior, CO (US); **Eric Collins**, Superior, CO (US); **Kenneth F. DeFreitas**, Patterson, NY (US); **Henry Landry**, Poughkeepsie, NY (US); **Samantha E. Vish**, Superior, CO (US)
- (73) Assignee: **Hologic, Inc.**, Bedford, MA (US)
- (\*\*) Term: **15 Years**
- (21) Appl. No.: **29/533,804**
- (22) Filed: **Jul. 22, 2015**

**Related U.S. Application Data**

- (63) Continuation of application No. 29/504,834, filed on Oct. 9, 2014, now Pat. No. Des. 735,342.
- (51) **LOC (10) Cl.** ..... **24-00**
- (52) **U.S. Cl.**  
USPC ..... **D24/185**
- (58) **Field of Classification Search**  
USPC ..... D24/185, 172, 158, 164, 186, 234, 128;  
280/47.34; D14/452, 375; D8/363;  
248/276.1, 274.1, 280.11, 371, 631,  
248/278.1; 211/70.6  
See application file for complete search history.

**References Cited**

**U.S. PATENT DOCUMENTS**

D467,001	S *	12/2002	Buczek	.....	D24/172
D486,915	S *	2/2004	Warschewske	.....	D24/185
6,705,474	B1 *	3/2004	Buczek	.....	A61B 19/0248
					211/70.6
7,048,242	B2 *	5/2006	Oddsens, Jr.	.....	F16M 11/04
					248/371
D537,323	S *	2/2007	Saez	.....	D14/452
7,389,965	B2 *	6/2008	Oddsens, Jr.	.....	F16M 11/04
					248/274.1

D577,729	S *	9/2008	Derry	.....	D14/452
D598,917	S *	8/2009	Luber	.....	D14/375
D606,202	S *	12/2009	Banryu	.....	D24/185
D606,548	S *	12/2009	Sapper	.....	D14/452
D613,866	S *	4/2010	Tanaka	.....	D24/185
7,694,927	B2 *	4/2010	Chuang	.....	F16M 11/04
					248/276.1
D626,235	S *	10/2010	Smith	.....	D24/158
D627,474	S *	11/2010	Nordgren	.....	D14/452
D631,052	S *	1/2011	Hung	.....	D14/452
D643,535	S *	8/2011	Ross	.....	D24/164
D648,855	S *	11/2011	Smith	.....	D24/158
D652,521	S *	1/2012	Ross	.....	D24/185
D652,936	S *	1/2012	Ross	.....	D24/185
D654,503	S *	2/2012	Sapper	.....	D14/452
D657,470	S *	4/2012	Schon	.....	D24/186
8,240,684	B2 *	8/2012	Ross	.....	A61M 16/0051
					280/47.34
D670,813	S *	11/2012	Sommer	.....	D24/172
D680,650	S *	4/2013	Muraoka	.....	D24/158
D692,563	S *	10/2013	Naef	.....	D24/172
D696,783	S *	12/2013	Chung	.....	D24/185
D699,852	S *	2/2014	Chung	.....	D24/158

(Continued)

*Primary Examiner* — Holly Baynham

*Assistant Examiner* — Rhea Shields

(74) *Attorney, Agent, or Firm* — Robert P. Smith

(57) **CLAIM**

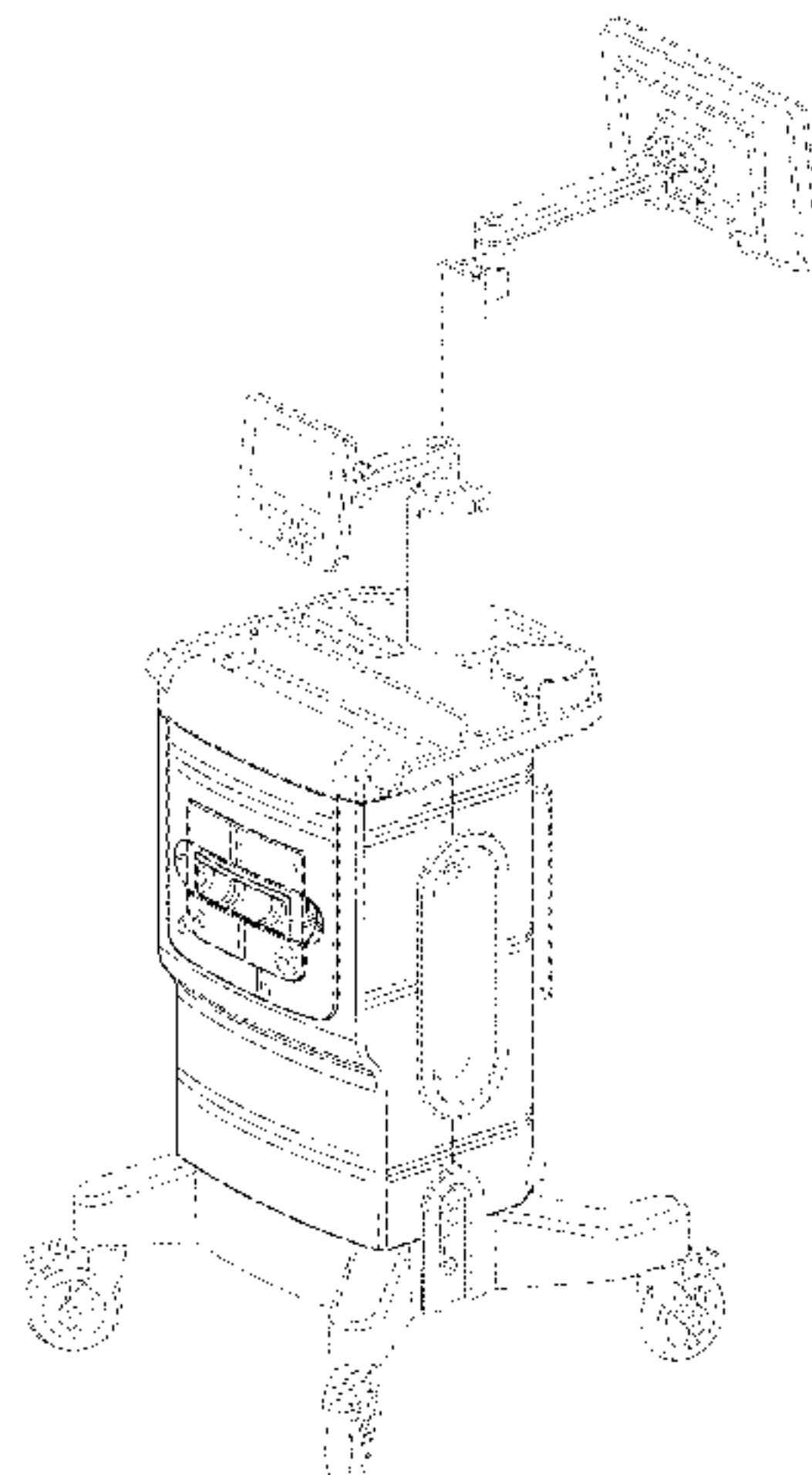
The ornamental design for a medical console, as shown and described.

**DESCRIPTION**

FIG. 1 is a front perspective view of the medical console;  
 FIG. 2 is a right side elevational view thereof;  
 FIG. 3 is a left side elevational view thereof;  
 FIG. 4 is a rear elevational view thereof;  
 FIG. 5 is a front elevational view thereof;  
 FIG. 6 is a top plan view thereof; and,  
 FIG. 7 is a bottom plan view thereof.

The article is not limited to the scale shown herein.  
 In the drawings, the broken lines are for the purpose of illustrating environment only and form no part of the claimed design.

**1 Claim, 7 Drawing Sheets**



(56)

**References Cited**

U.S. PATENT DOCUMENTS

D700,706 S *	3/2014	Molter .....	D24/185	2006/0266909 A1*	11/2006	Oddsens .....	F16M 11/04 248/274.1
D702,842 S *	4/2014	Hyde .....	D24/185	2008/0164395 A1*	7/2008	Chang .....	F16M 11/04 248/371
D707,360 S *	6/2014	Kim .....	D24/185	2008/0237439 A1*	10/2008	Oddsens .....	F16M 11/04 248/276.1
D712,540 S *	9/2014	Hansen .....	D24/158	2009/0090831 A1*	4/2009	Henning .....	F16C 11/10 248/631
D715,440 S *	10/2014	Kim .....	D24/158				248/278.1
2003/0075653 A1*	4/2003	Li .....	F16M 11/04				

\* cited by examiner

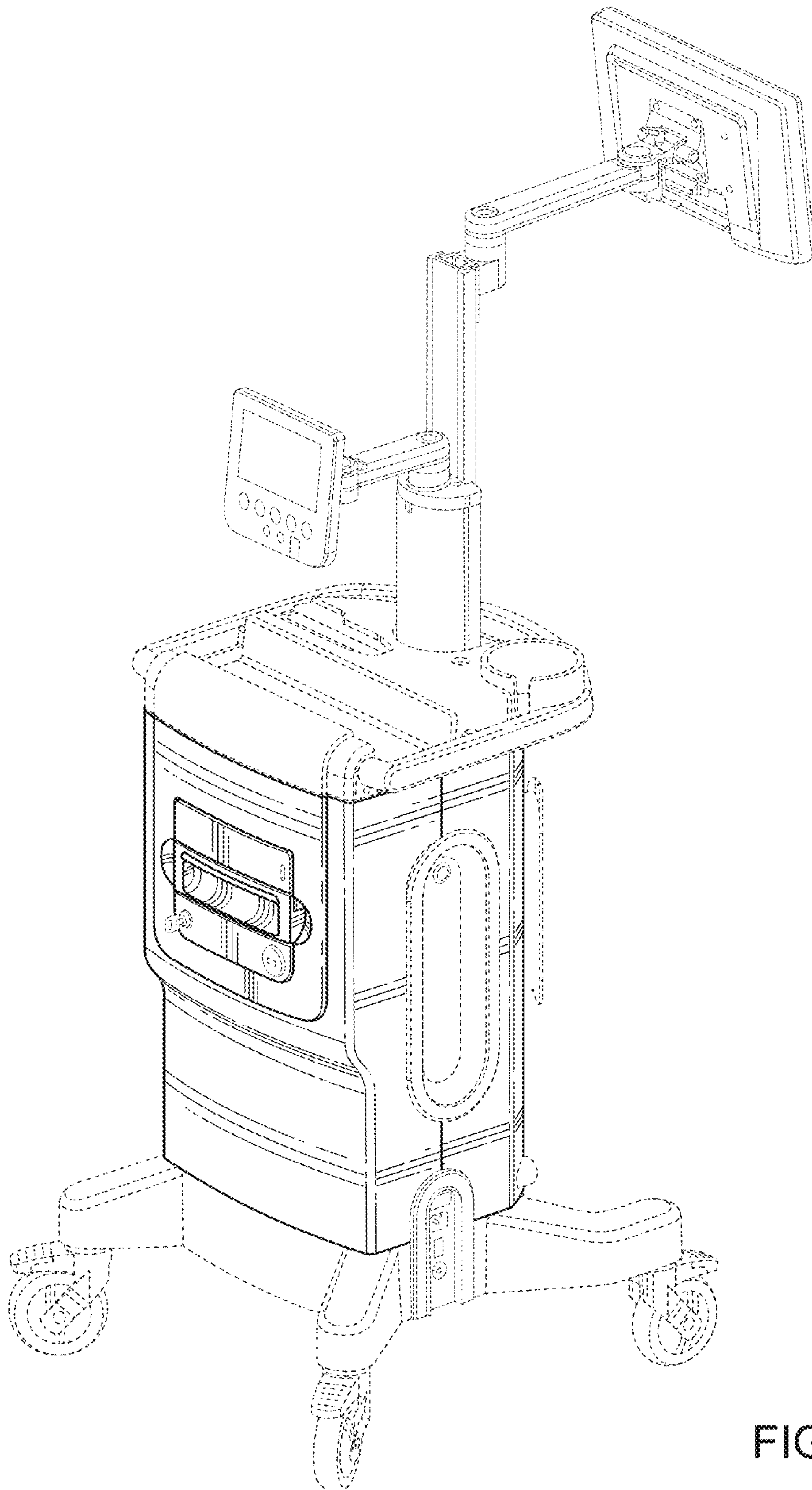


FIG. 1

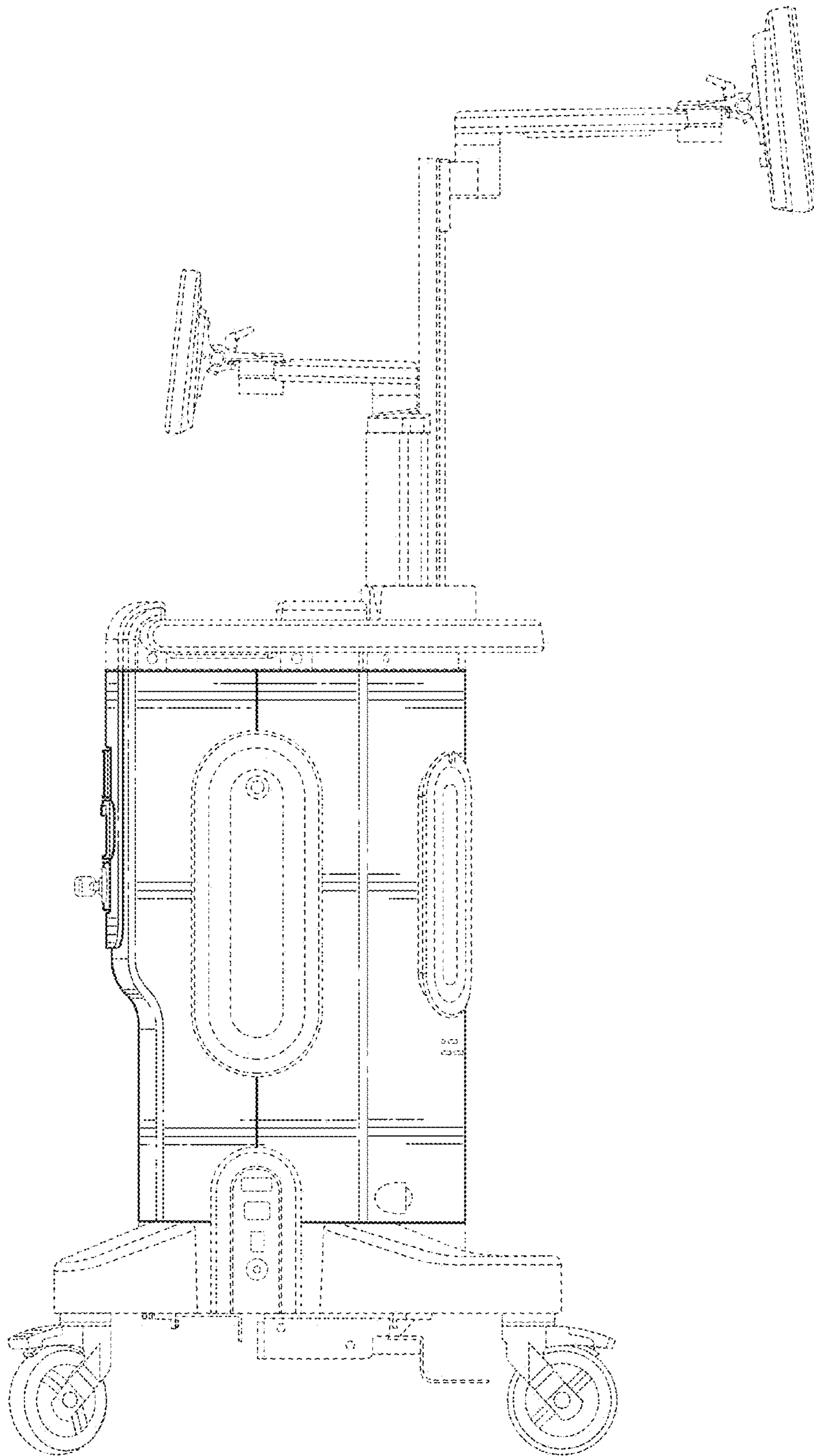


FIG. 2



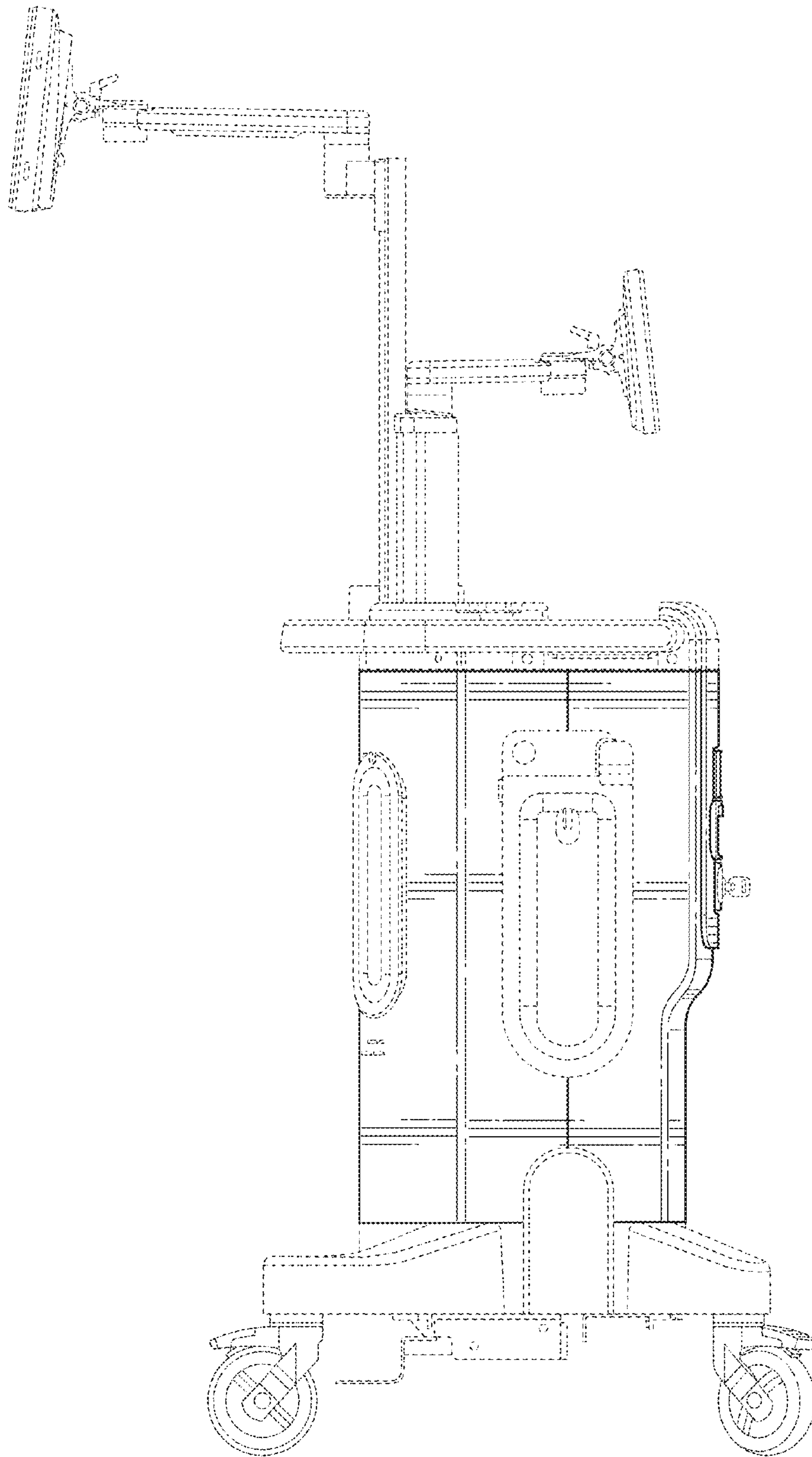


FIG. 3

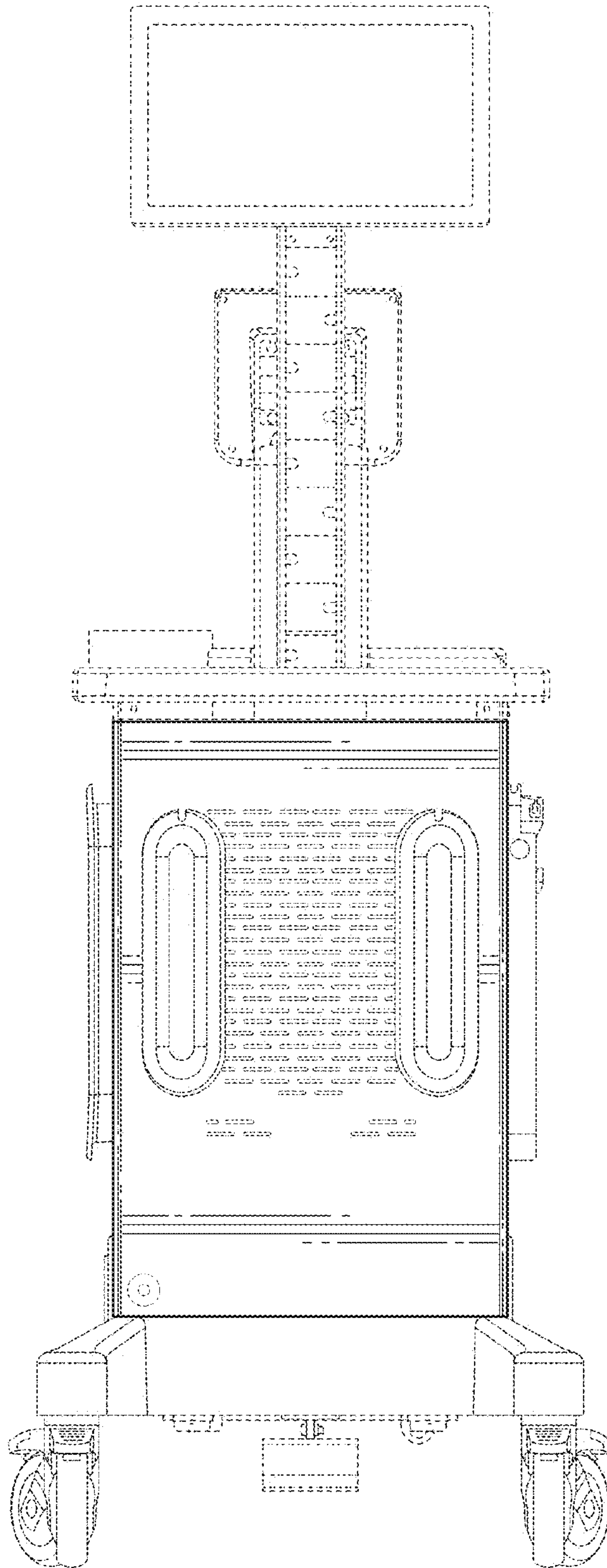


FIG. 4

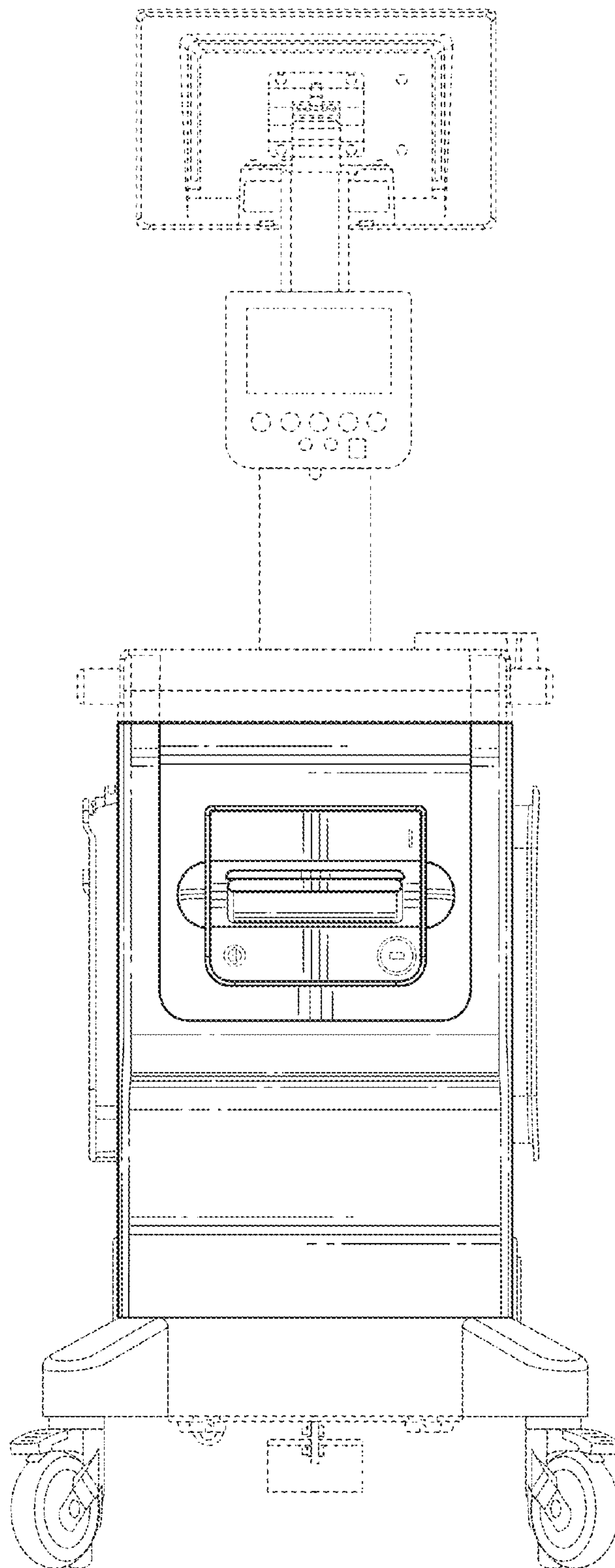


FIG. 5

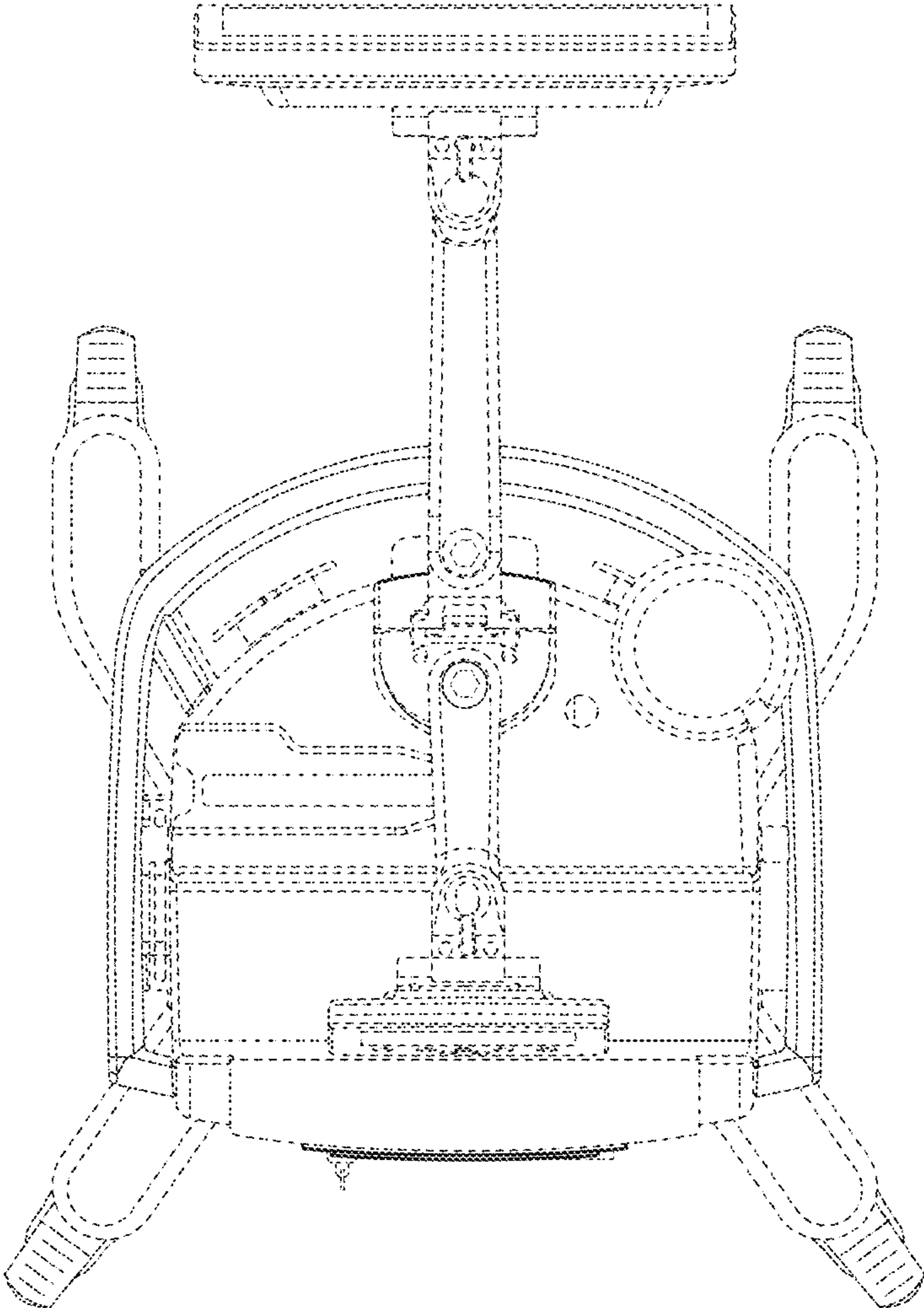


FIG. 6



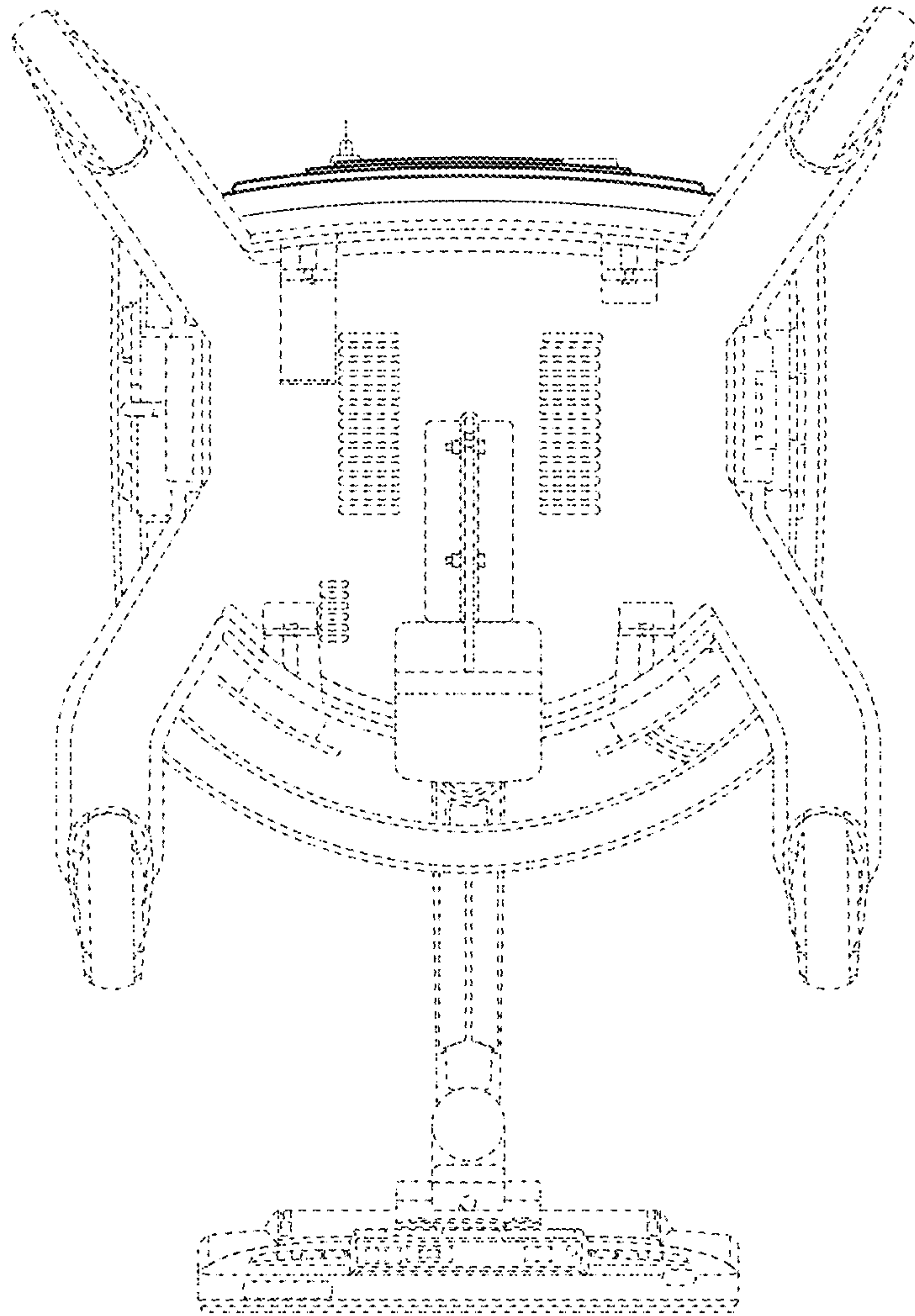


FIG. 7