



US00D750783S

(12) **United States Design Patent**
Yasukawa et al.

(10) **Patent No.:** **US D750,783 S**
(45) **Date of Patent:** **** Mar. 1, 2016**

(54) **X-RAY RESIDUAL STRESS MEASURING INSTRUMENT**

(71) Applicant: **RIGAKU CORPORATION**,
Akishima-shi, Tokyo (JP)

(72) Inventors: **Shoichi Yasukawa**, Hino (JP); **Suguru Sasaki**, Hamura (JP)

(73) Assignee: **RIGAKU CORPORATION**, Tokyo (JP)

(**) Term: **14 Years**

(21) Appl. No.: **29/496,723**

(22) Filed: **Jul. 16, 2014**

(30) **Foreign Application Priority Data**

Feb. 19, 2014 (JP) 2014-003304

(51) **LOC (10) Cl.** **24-01**

(52) **U.S. Cl.**
USPC **D24/158**

(58) **Field of Classification Search**
USPC D24/158-161, 185, 186, 187, 107;
D10/46, 47
CPC G01N 23/207; G01L 1/25; G01L 1/255
See application file for complete search history.

(56) **References Cited**

U.S. PATENT DOCUMENTS

4,694,480 A * 9/1987 Skillicorn H01J 35/12
378/102
D371,197 S * 6/1996 Golden D24/158

D554,754 S * 11/2007 Ito D24/158
7,515,684 B2 * 4/2009 Gibson G01N 23/12
378/44
D628,296 S * 11/2010 Hoshino D24/158
D676,554 S * 2/2013 Moon D24/158
D724,214 S * 3/2015 Ihara D24/158
9,146,203 B2 * 9/2015 Toraya G01L 1/25

* cited by examiner

Primary Examiner — Anhdao Doan

(74) *Attorney, Agent, or Firm* — Westerman, Hattori,
Daniels & Adrian, LLP

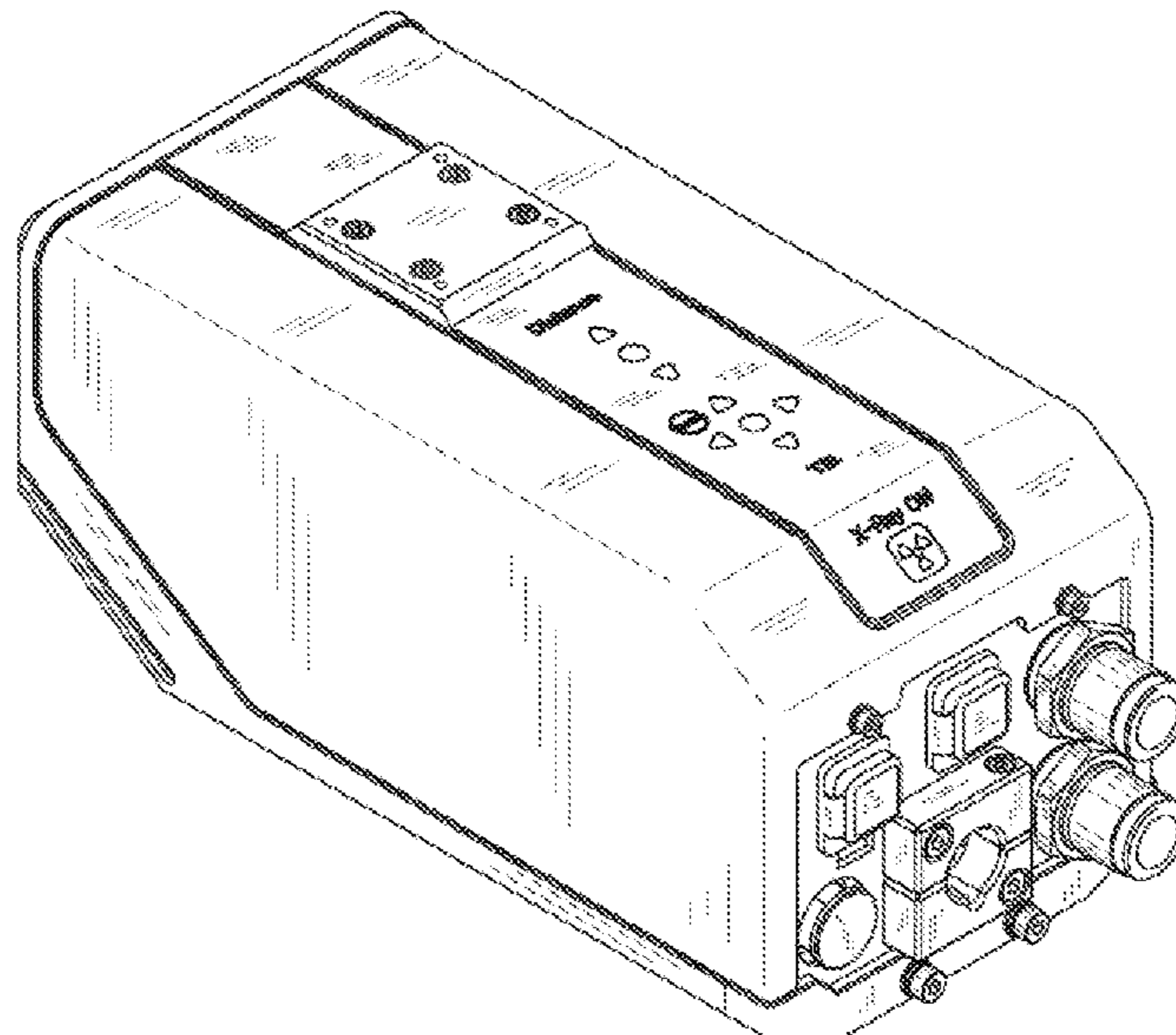
(57) **CLAIM**

The ornamental design for a X-ray residual stress measuring instrument, as shown and described.

DESCRIPTION

FIG. 1 is a front elevational view of a X-ray residual stress measuring instrument showing our new design;
FIG. 2 is a top plan view thereof;
FIG. 3 is a bottom plan view thereof;
FIG. 4 is a rear elevational view thereof;
FIG. 5 is a left side elevational view thereof;
FIG. 6 is a right side elevational view thereof;
FIG. 7 is a cross-sectional view thereof, taken along the line 7-7 of FIG. 1;
FIG. 8 is a cross-sectional view thereof, taken along the line 8-8 of FIG. 2;
FIG. 9 is a perspective view thereof; and,
FIG. 10 is a perspective view thereof.

1 Claim, 10 Drawing Sheets



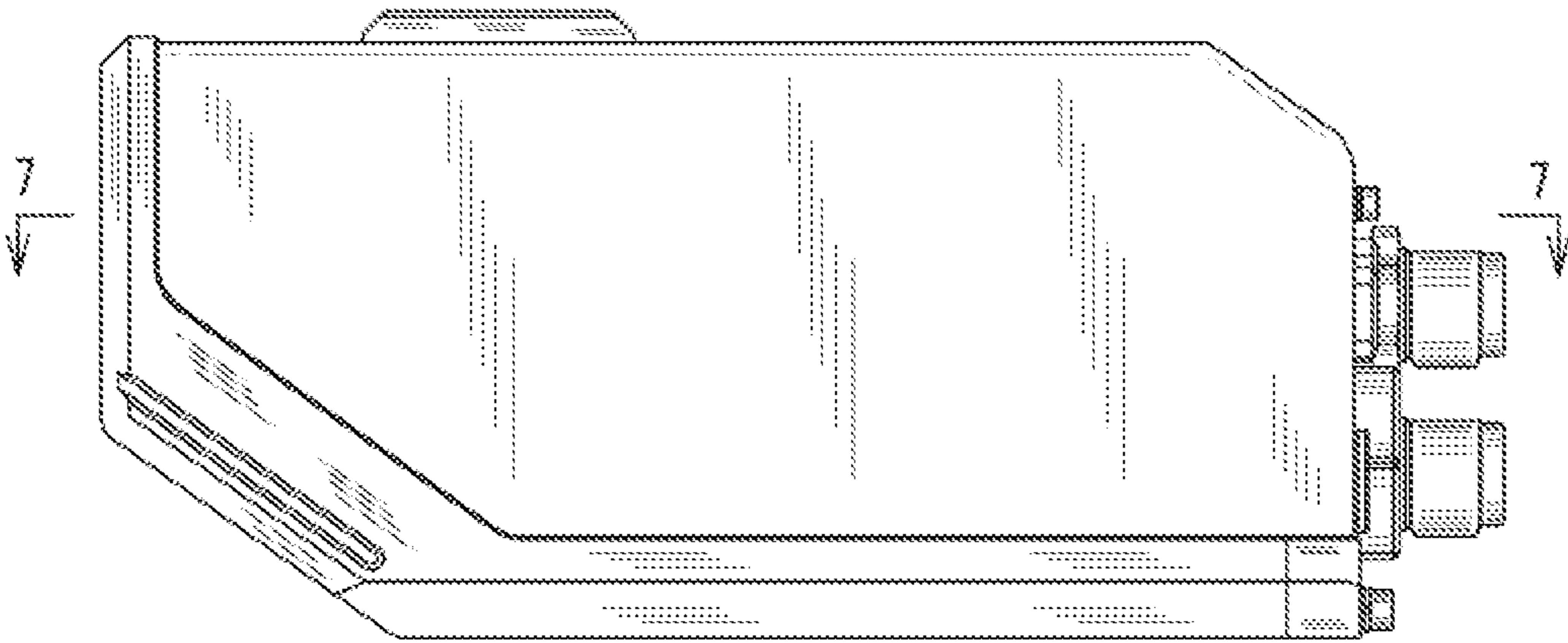


FIG. 1

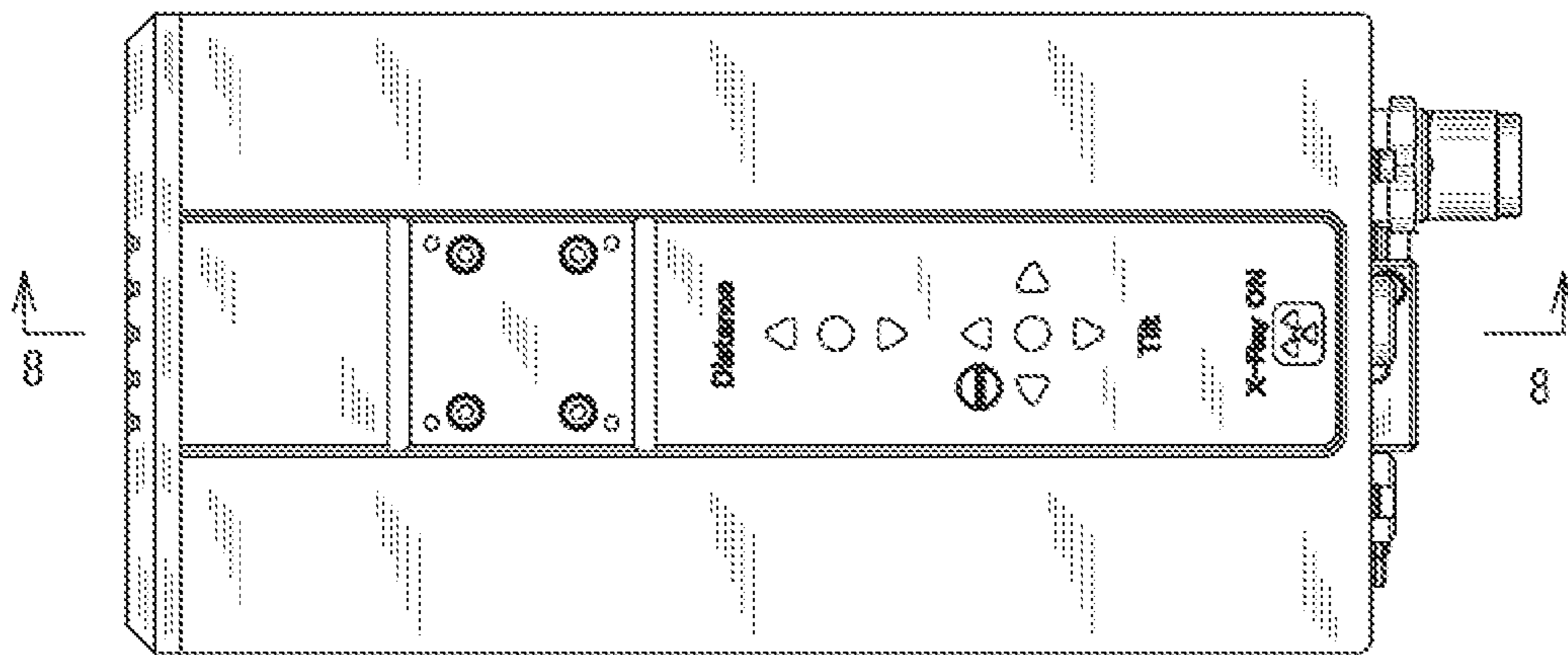


FIG. 2

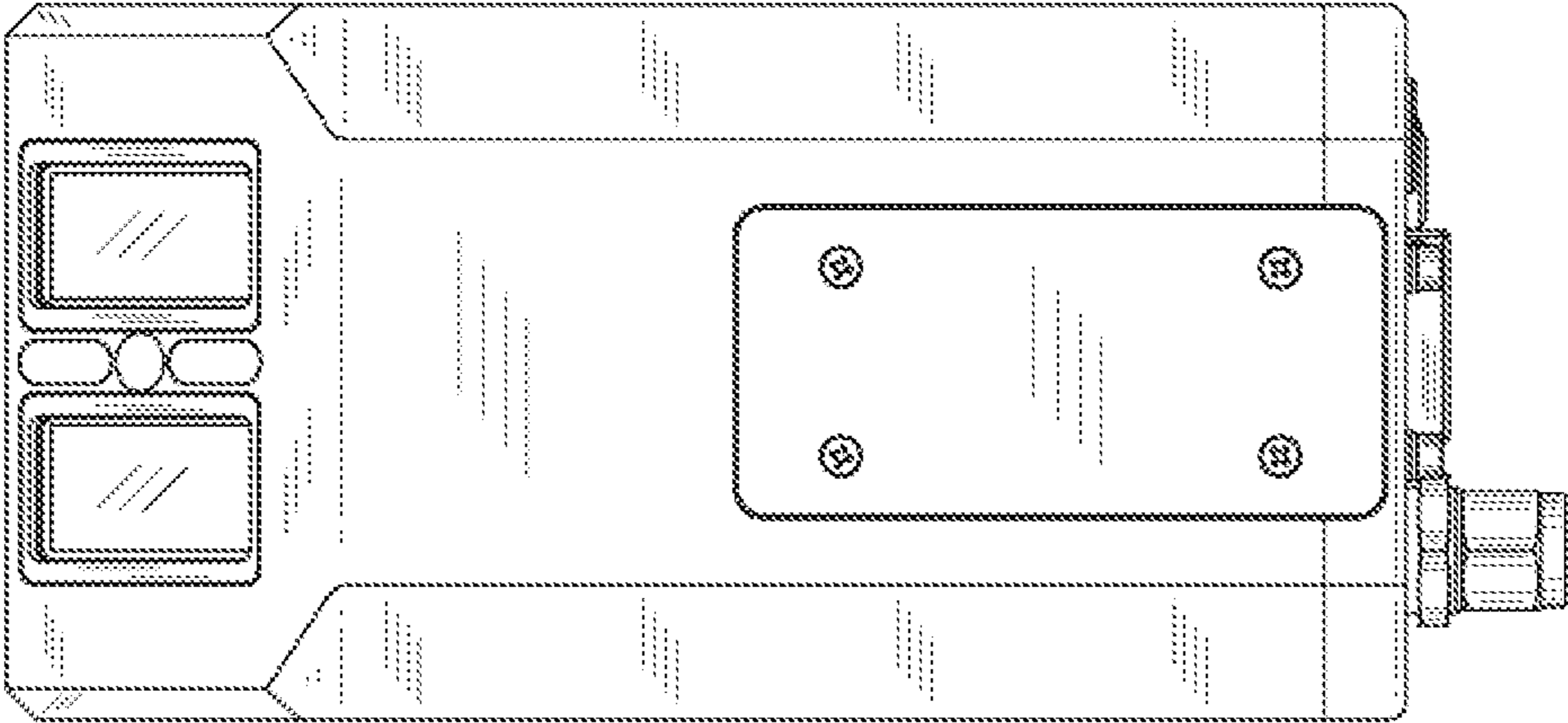


FIG. 3

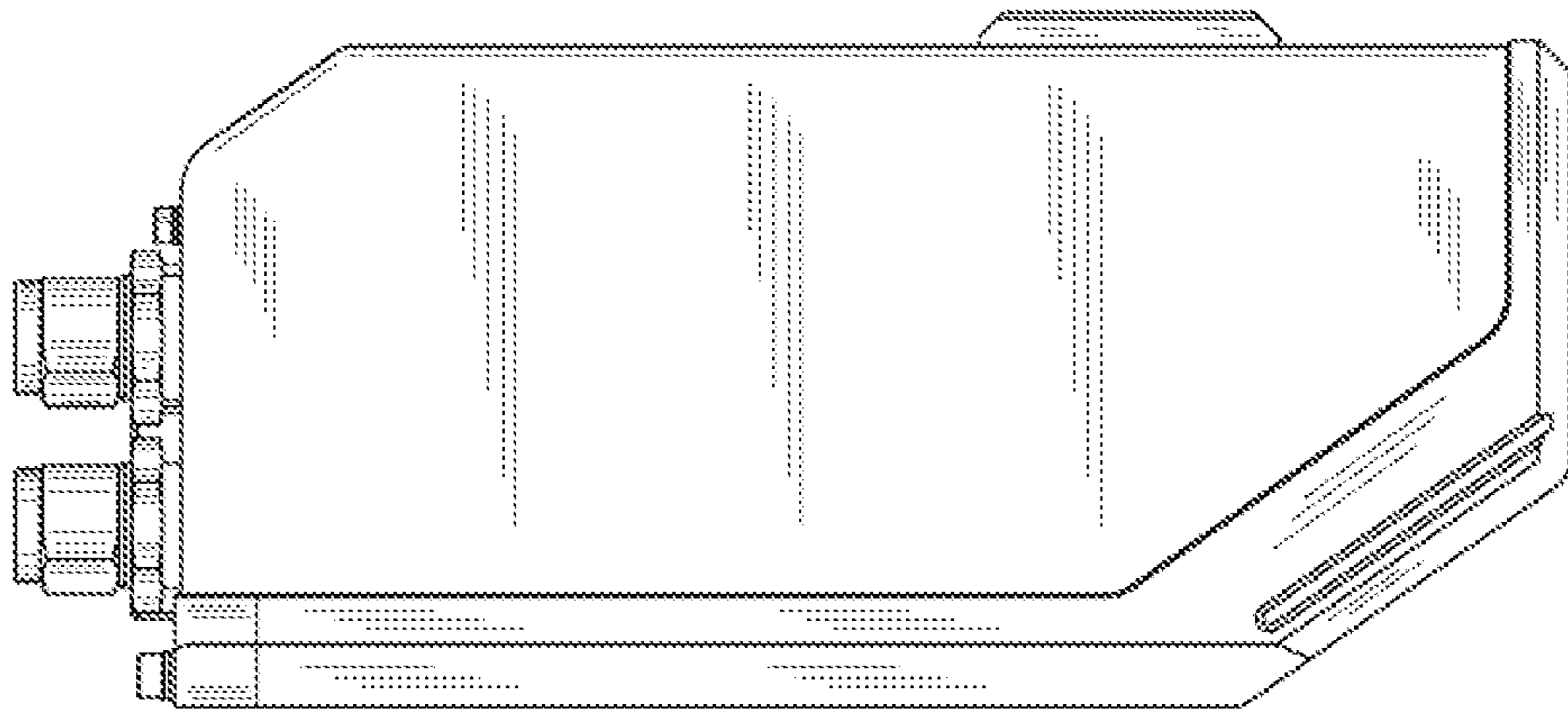


FIG. 4

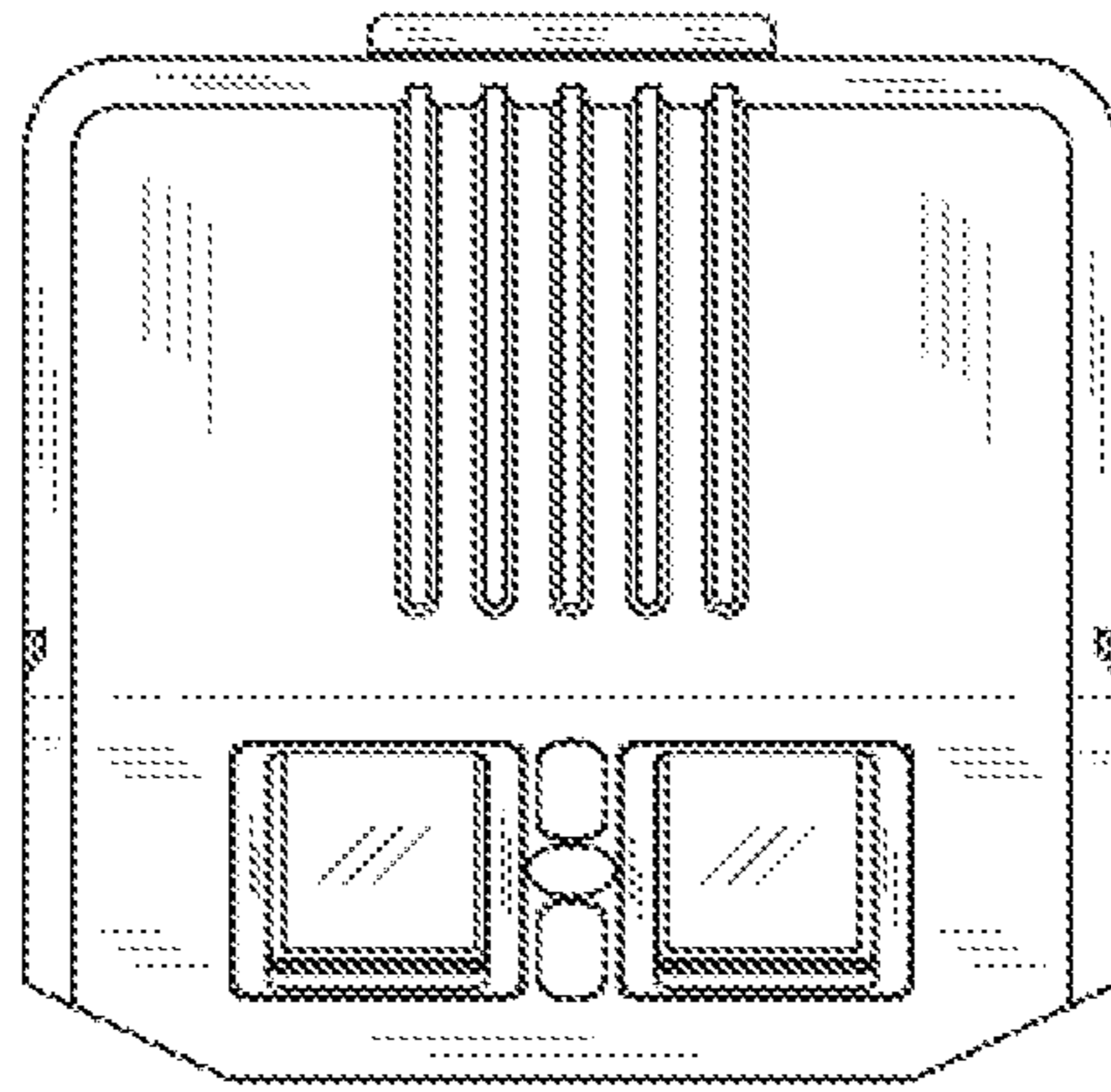


FIG. 5

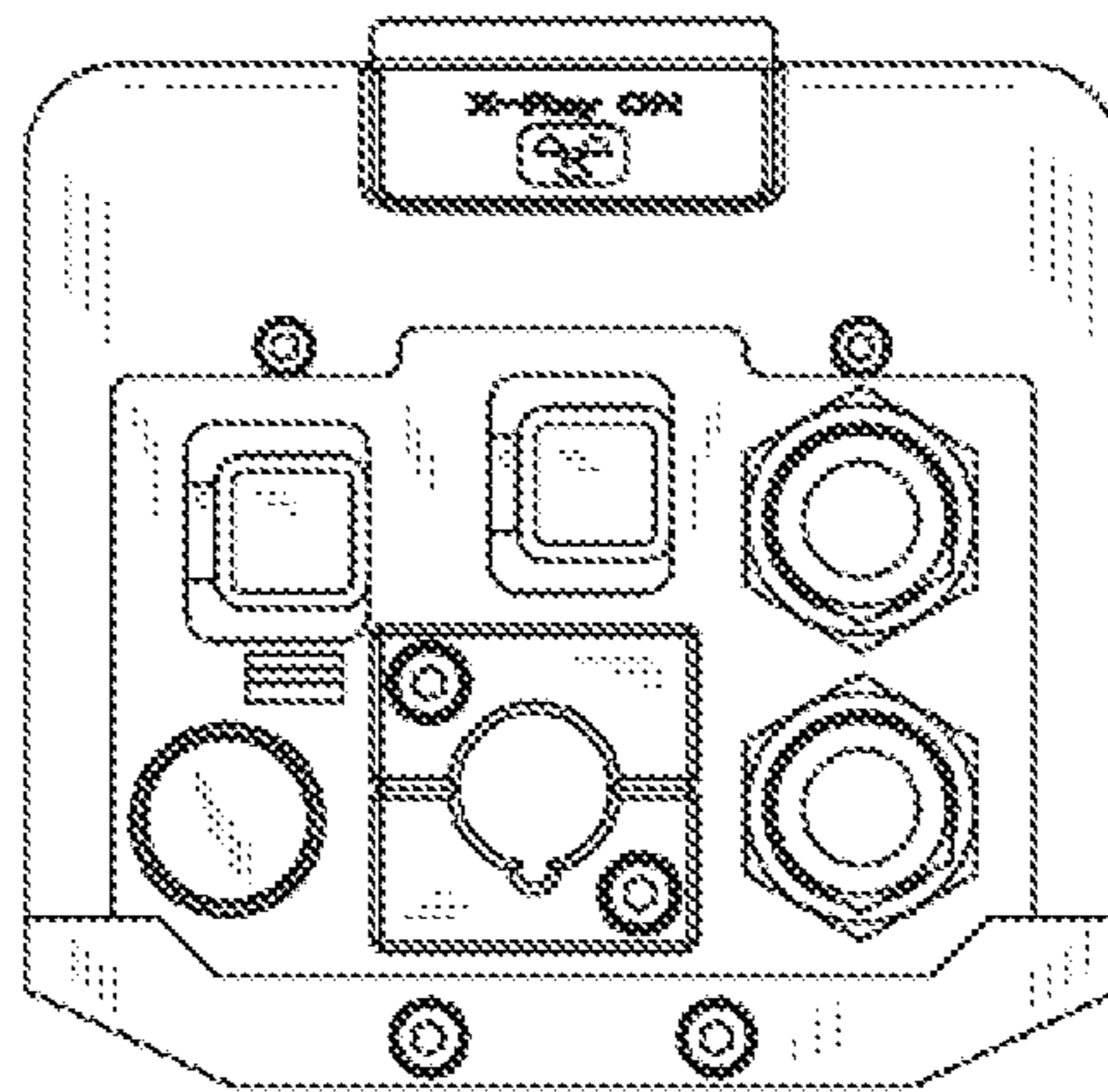


FIG. 6

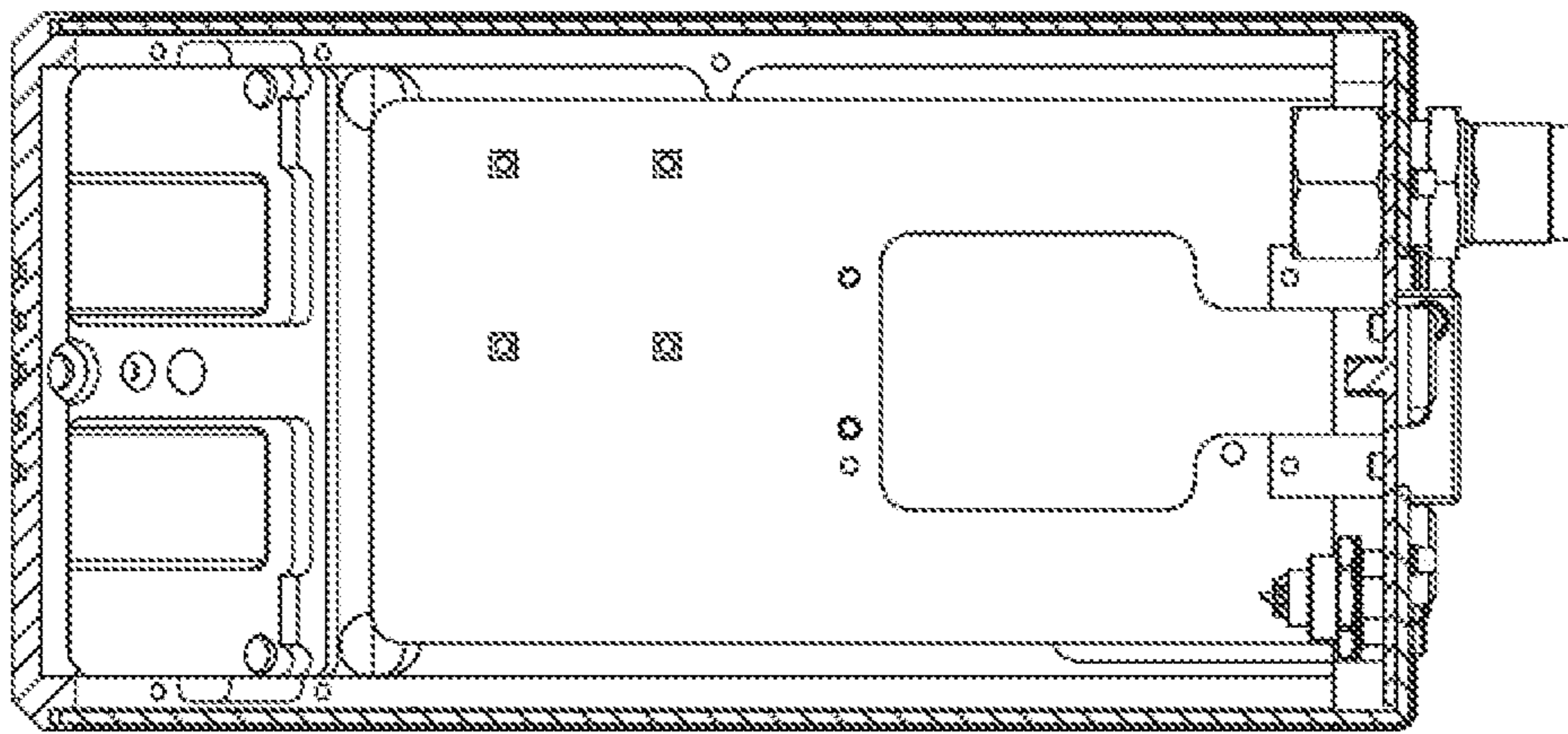


FIG. 7

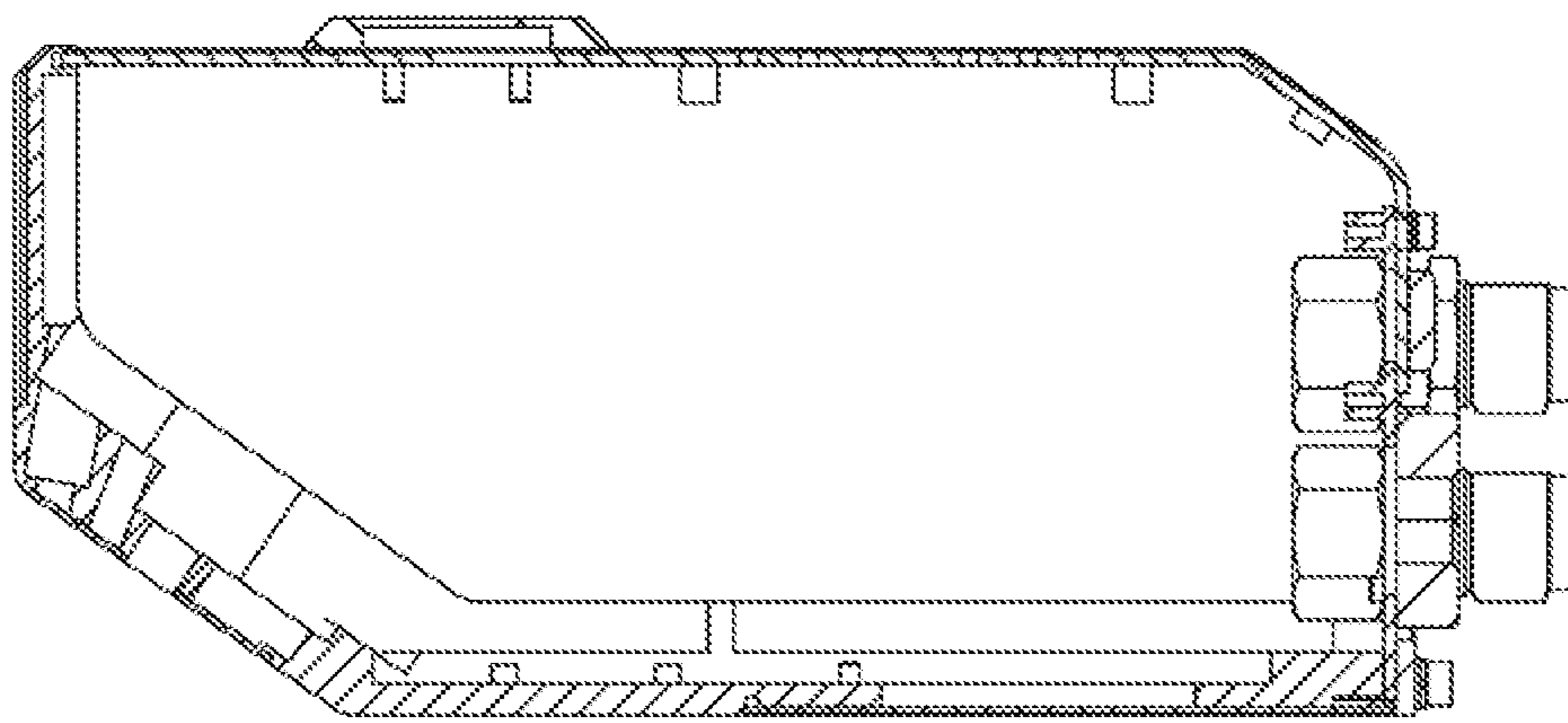


FIG. 8

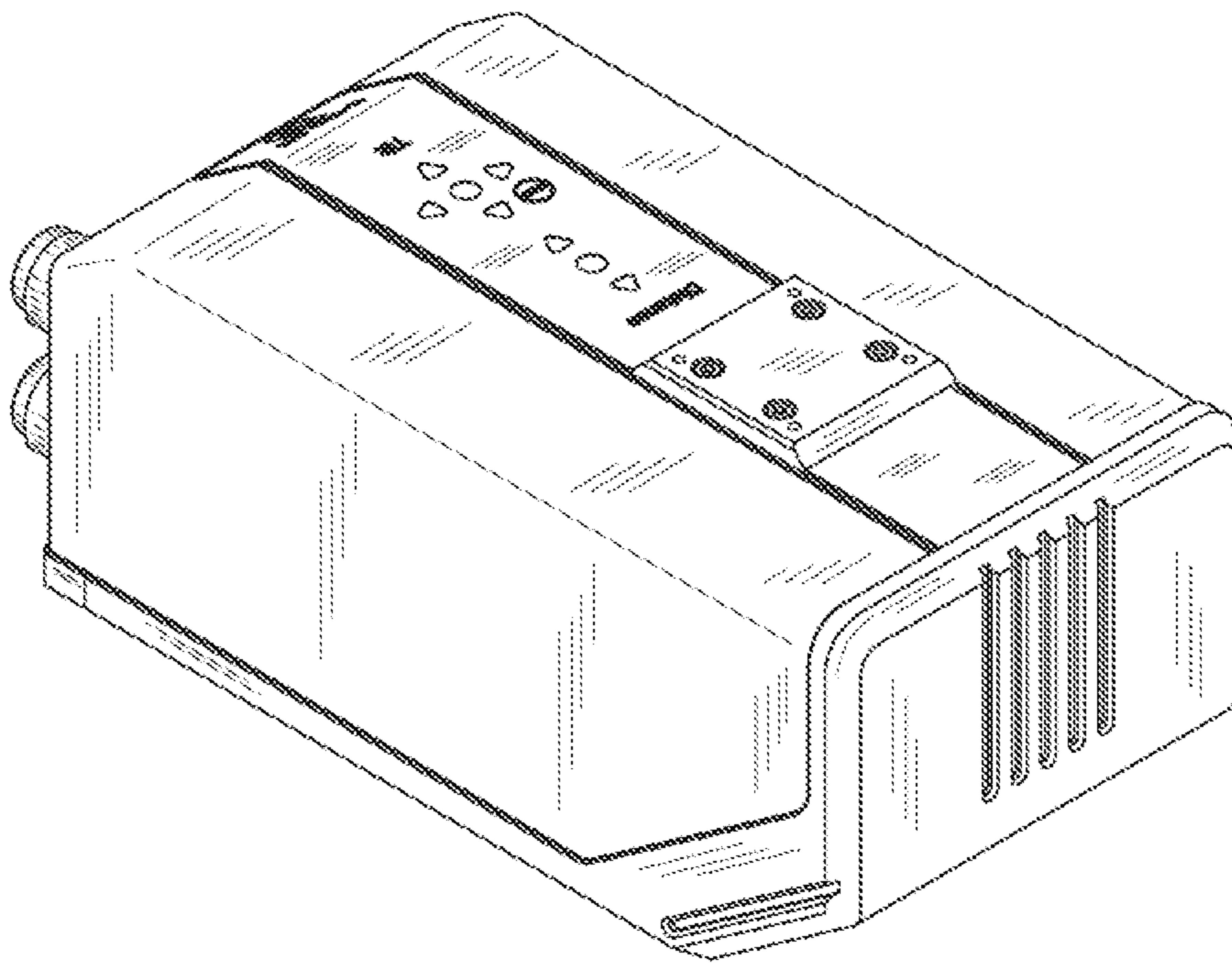


FIG. 9

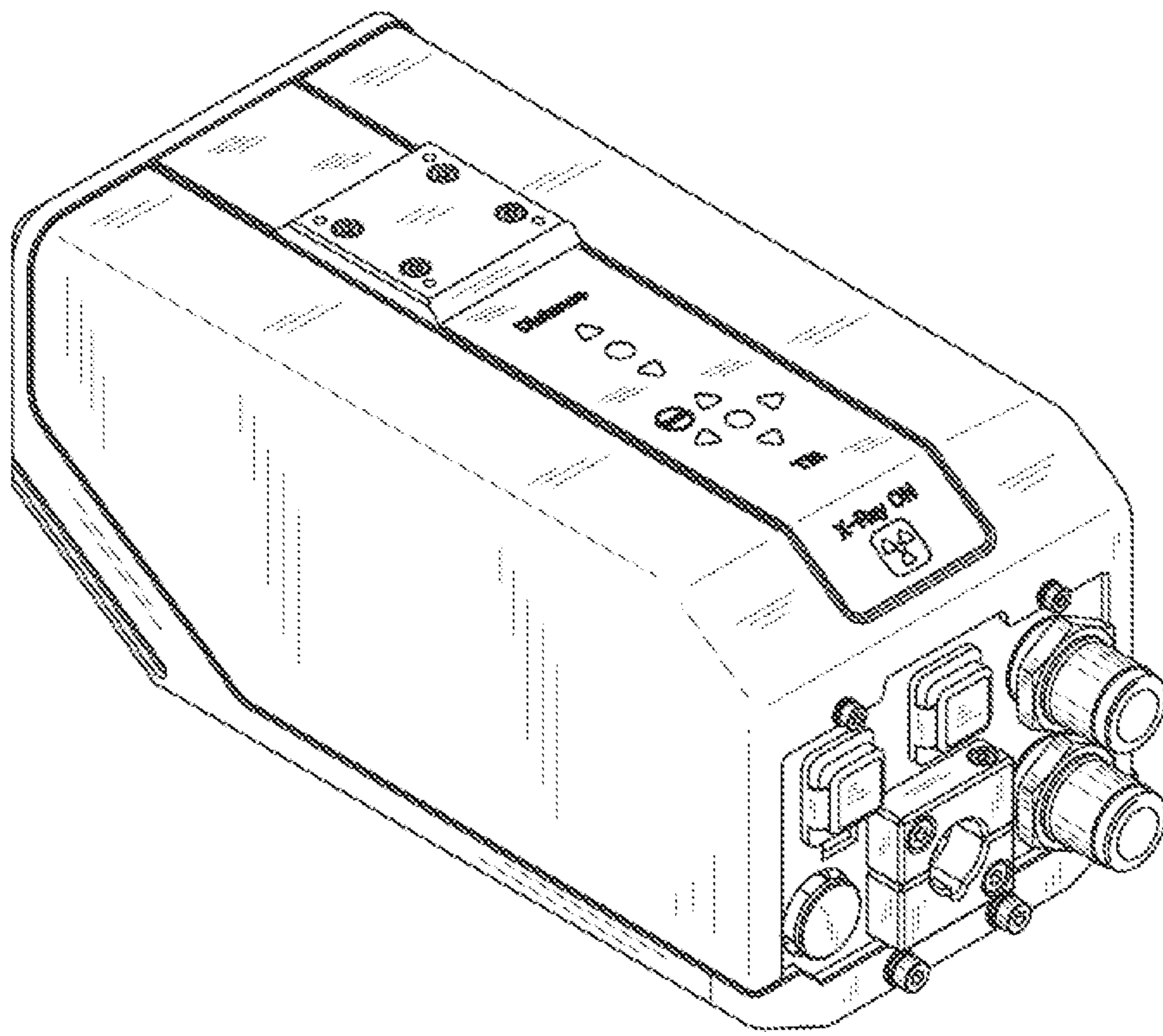


FIG. 10