



US00D750782S

(12) **United States Design Patent**
Mirci

(10) **Patent No.:** **US D750,782 S**
(45) **Date of Patent:** **** Mar. 1, 2016**

- (54) **MANDIBULAR ADVANCEMENT POSITIONING BITE BLOCK**
- (71) Applicant: **Joseph G. Mirci**, Salt Lake City, UT (US)
- (72) Inventor: **Joseph G. Mirci**, Salt Lake City, UT (US)
- (73) Assignee: **Joseph G. Mirci**, Salt Lake City, UT (US)
- (**) Term: **14 Years**
- (21) Appl. No.: **29/522,525**
- (22) Filed: **Mar. 31, 2015**
- (51) **LOC (10) Cl.** **24-02**
- (52) **U.S. Cl.**
USPC **D24/152**
- (58) **Field of Classification Search**
USPC D24/152, 155–156, 176, 180; D99/17, D99/21; D20/10, 23; D11/67, 121, 157; D1/115, 199; 128/848, 859–861; 433/6–7, 39, 93, 141
CPC A61F 5/56; A61F 5/566; A61C 5/14; A61C 5/125; A61C 7/00; A61C 7/08; A61C 7/10; A61C 9/00; A61B 1/24
See application file for complete search history.

(56) **References Cited**

U.S. PATENT DOCUMENTS

2,564,182	A *	8/1951	Wade	A61C 9/00 433/71
5,954,503	A *	9/1999	Skarky	A61C 9/00 433/140
D630,328	S *	1/2011	Fishburne, Jr.	D24/152
8,182,264	B2 *	5/2012	Dragan	A61C 5/14 433/140
8,535,056	B2 *	9/2013	Dragan	A61C 5/14 433/140
2010/0300457	A1	12/2010	Horchover	
2012/0247486	A1	10/2012	Horchover	
2013/0186411	A1	7/2013	Vaska	

* cited by examiner

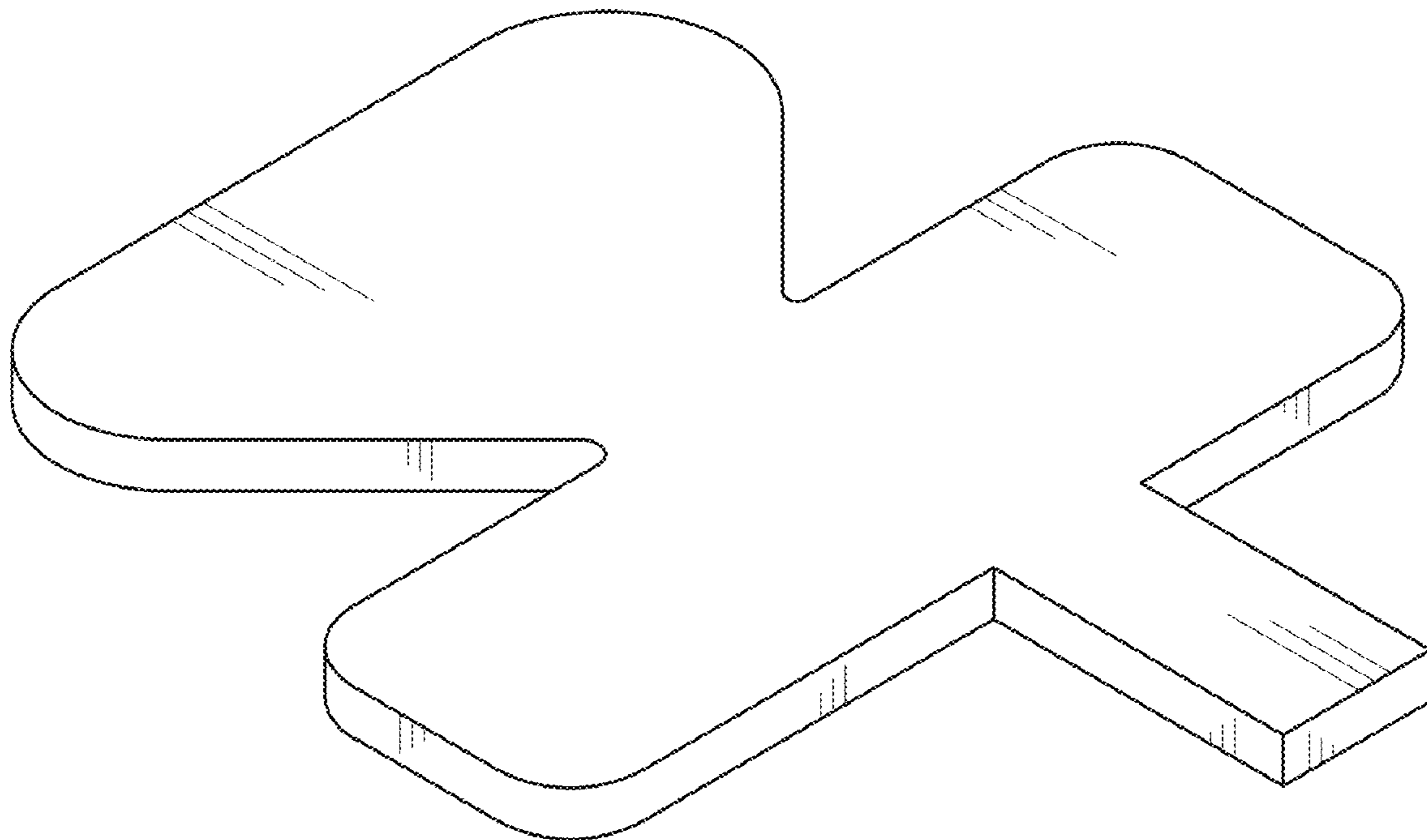
Primary Examiner — Wan Laymon
(74) *Attorney, Agent, or Firm* — Workman Nydegger

(57) **CLAIM**
The ornamental design for a mandibular advancement positioning bite block, as shown and described.

DESCRIPTION

FIG. 1 is a perspective view of the new design; FIG. 2 is a front elevational view thereof; FIG. 3 is a left side elevational view thereof; FIG. 4 is a right side elevational view thereof; FIG. 5 is a top plan view thereof; and, FIG. 6 is a bottom plan view thereof.

1 Claim, 2 Drawing Sheets



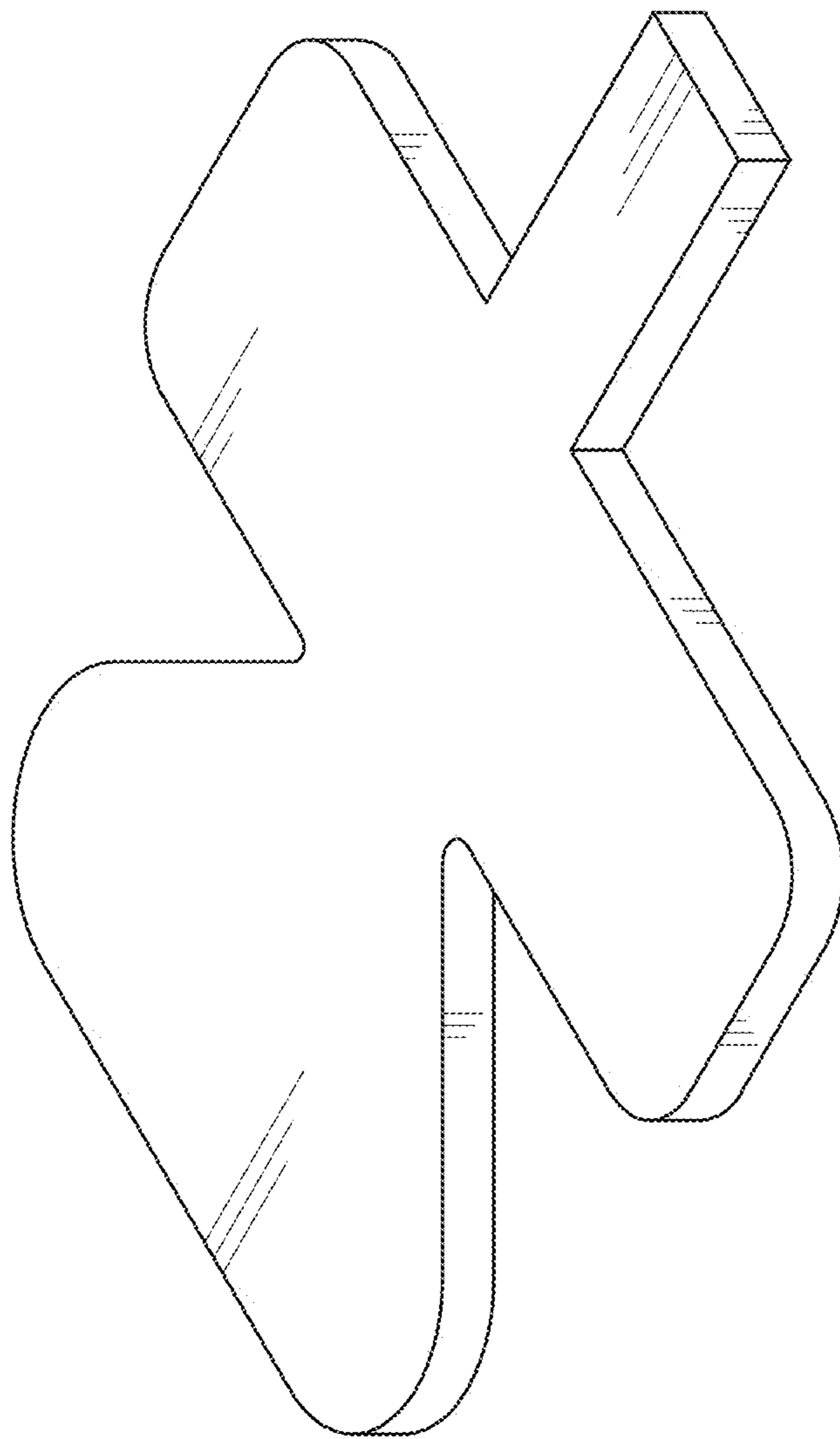


FIG. 1



FIG. 5

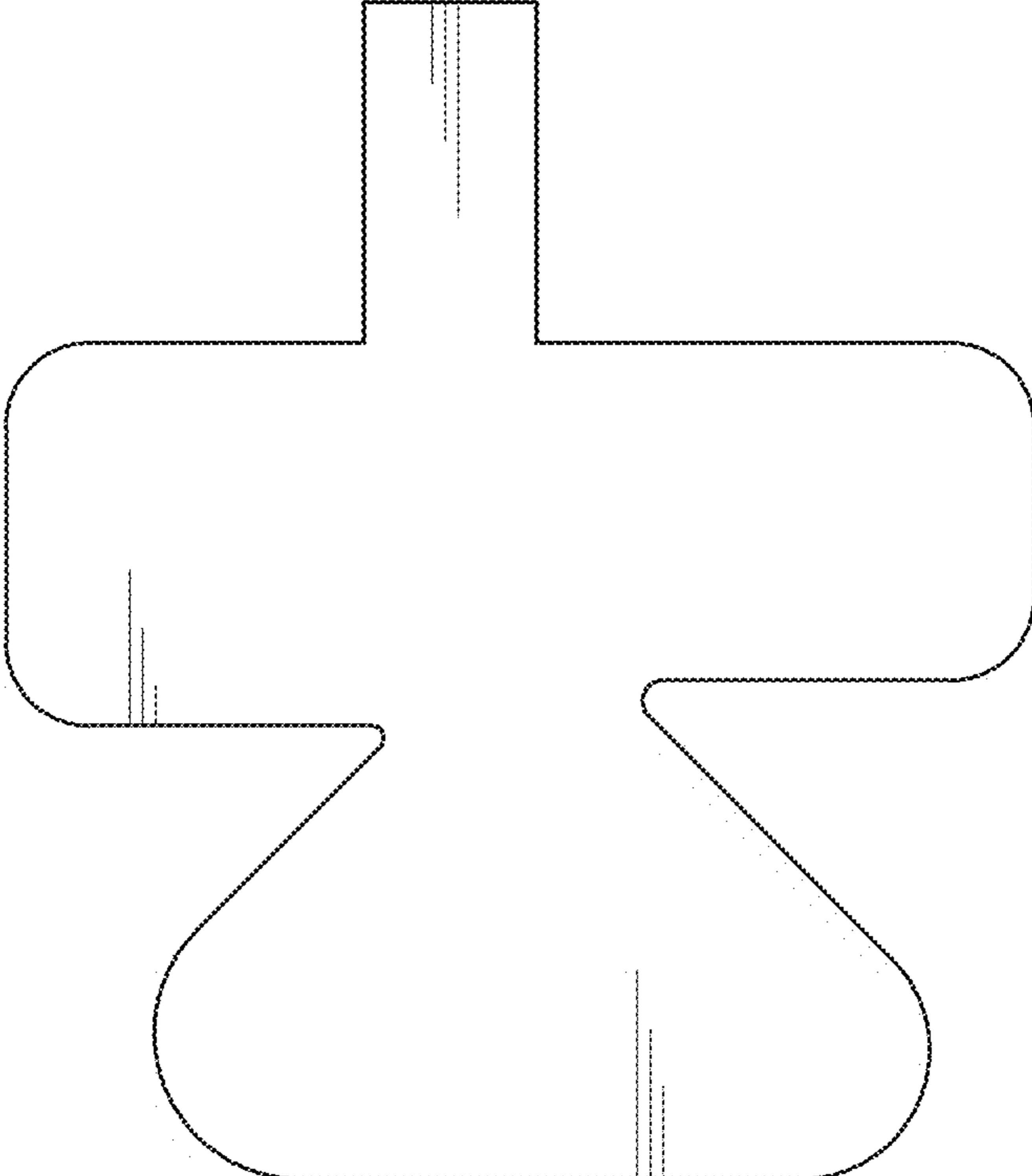


FIG. 2



FIG. 4

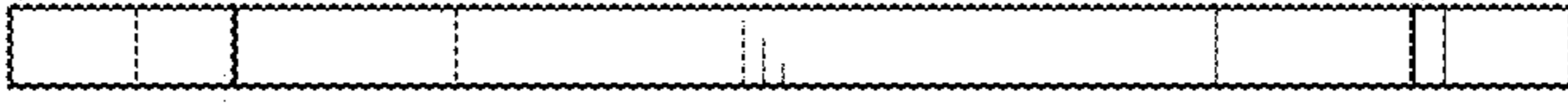


FIG. 3



FIG. 6