



US00D750780S

(12) **United States Design Patent**  
**Ogane**

(10) **Patent No.:** **US D750,780 S**  
(45) **Date of Patent:** **\*\* Mar. 1, 2016**

(54) **SURGICAL KNIFE**

(71) Applicant: **MANI, INC.**, Utsunomiya Tochigi (JP)

(72) Inventor: **Kaoru Ogane**, Utsunomiya Tochigi (JP)

(73) Assignee: **MANI, INC.**, Utsunomiya Tochigi (JP)

(\*\*) Term: **14 Years**

(21) Appl. No.: **29/499,363**

(22) Filed: **Aug. 14, 2014**

(30) **Foreign Application Priority Data**

Feb. 18, 2014 (JP) ..... 2014-3246  
Feb. 18, 2014 (JP) ..... 2014-3247  
Feb. 18, 2014 (JP) ..... 2014-3248

(51) **LOC (10) Cl.** ..... **24-02**

(52) **U.S. Cl.**  
USPC ..... **D24/146**

(58) **Field of Classification Search**  
USPC ..... D7/649; D8/93, 97, 300, 310, 311, 313;  
D19/110, 115; D24/127, 130, 133,  
D24/146, 147, 148  
CPC ..... B26B 3/00; B26B 1/10; B26B 5/005;  
A61B 17/809; A61B 17/1617; A61B 17/3211;  
A61B 5/1411; A61B 17/3417  
See application file for complete search history.

(56) **References Cited**

**U.S. PATENT DOCUMENTS**

D384,743 S \* 10/1997 Chia ..... D24/133  
D391,361 S \* 2/1998 Evans et al. .... D24/147  
D393,715 S \* 4/1998 Strickland ..... D24/133  
D421,303 S \* 2/2000 Cote et al. .... D24/133  
D463,555 S \* 9/2002 Etter et al. .... D24/147  
6,503,262 B1 \* 1/2003 Edens ..... 606/167

D565,733 S \* 4/2008 Andre ..... D24/147  
D619,251 S \* 7/2010 Justiniano-Garcia  
et al. .... D24/147  
7,909,840 B2 3/2011 Cote et al.

(Continued)

*Primary Examiner* — Robert M Spear

*Assistant Examiner* — Marissa J Cash

(74) *Attorney, Agent, or Firm* — Shlesinger, Arkwright & Garvey LLP

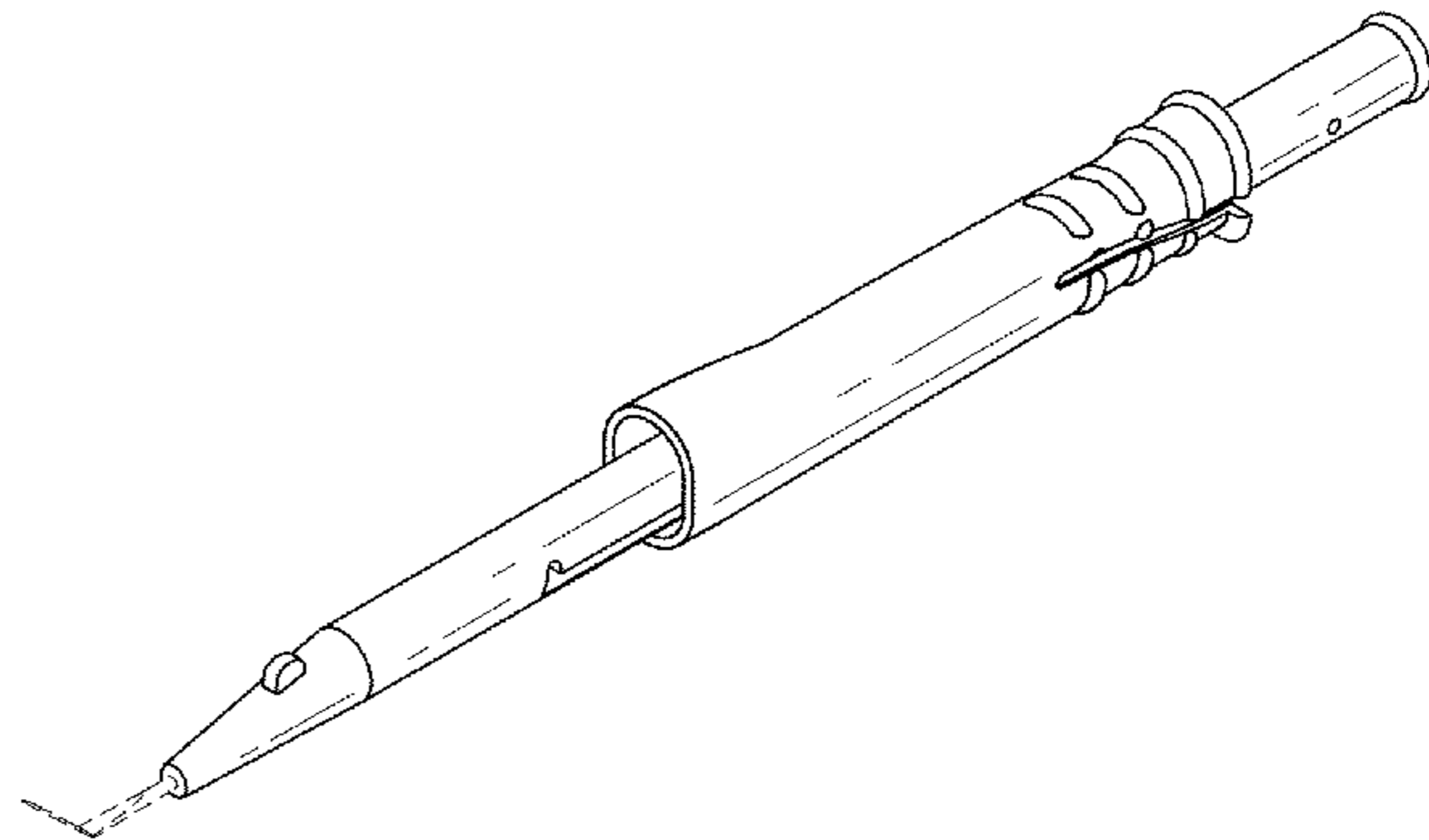
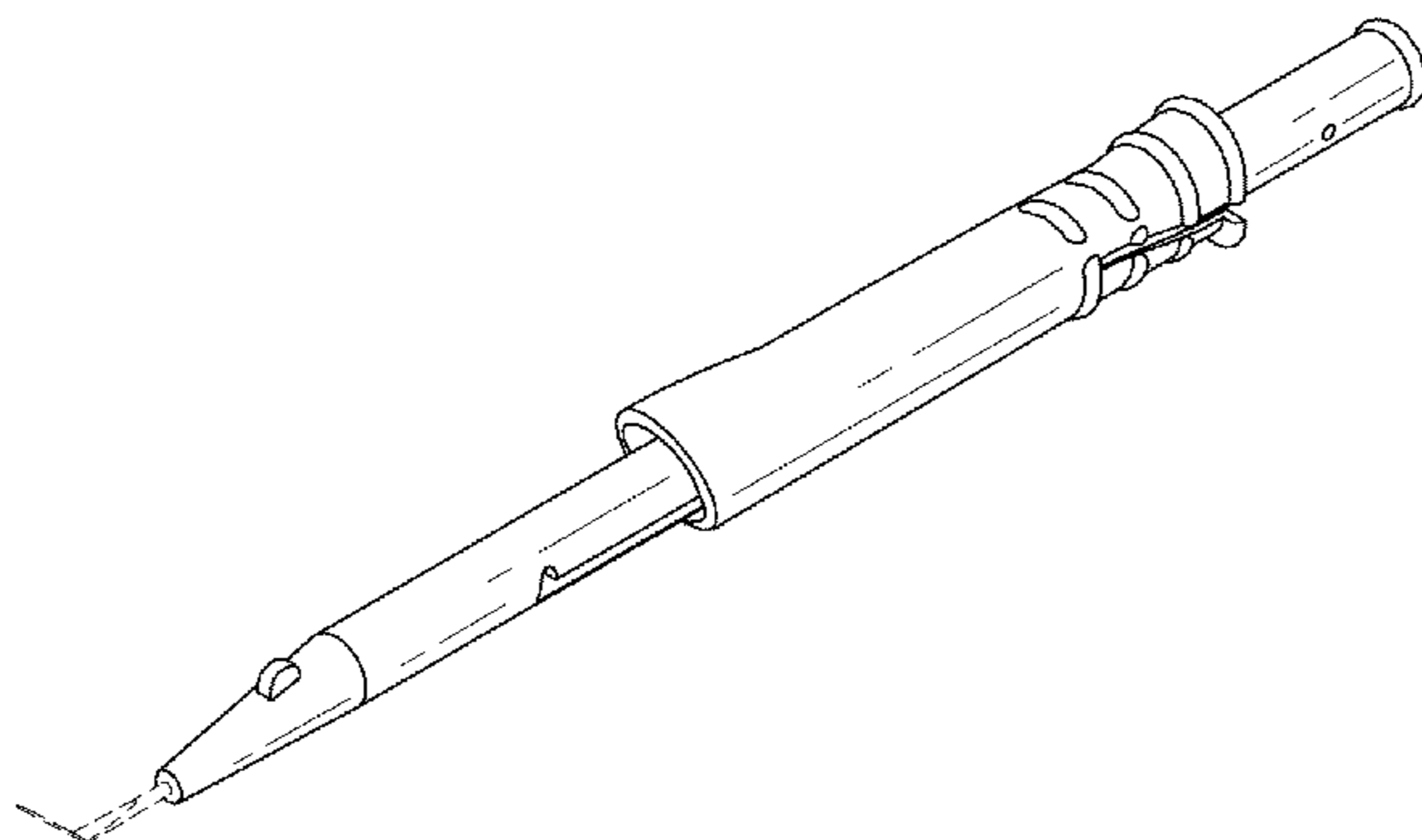
(57) **CLAIM**

The ornamental design for a surgical knife, as shown and described.

**DESCRIPTION**

FIG. 1 is a perspective view of a surgical knife, showing my new design;  
FIG. 2 is a longitudinal top view of FIG. 1;  
FIG. 3 is a bottom longitudinal view of FIG. 1;  
FIG. 4 is a left side elevational view of FIG. 1;  
FIG. 5 is a right side elevational view of FIG. 1;  
FIG. 6 is a front end view of FIG. 1;  
FIG. 7 is a rear end view of FIG. 1;  
FIG. 8 is a perspective view of FIG. 1 with the cover in the closed position;  
FIG. 9 is a right side elevational view of FIG. 8;  
FIG. 10 is a perspective view of another embodiment of a surgical knife, showing my new design;  
FIG. 11 is a longitudinal top view of FIG. 10;  
FIG. 12 is a bottom longitudinal view of FIG. 10;  
FIG. 13 is a left side elevational view of FIG. 10;  
FIG. 14 is a right side elevational view of FIG. 10;  
FIG. 15 is a front end view of FIG. 10;  
FIG. 16 is a rear end view of FIG. 10;  
FIG. 17 is a perspective view of FIG. 10 with the cover in the closed position; and,  
FIG. 18 is a right side elevational view of FIG. 17.  
The broken line portion of the figure drawings represents the outline of the blade of the surgical knife and forms no part of the claimed design.

**1 Claim, 6 Drawing Sheets**



# US D750,780 S

Page 2

---

(56)

## References Cited

### U.S. PATENT DOCUMENTS

			2006/0085019	A1*	4/2006	Cote et al. ....	606/167
			2008/0058843	A1*	3/2008	Morawski et al. ....	606/167
			2009/0204135	A1*	8/2009	Cote .....	606/167
D639,432	S	*	6/2011	Trees et al. ....	D24/147		
D642,682	S	*	8/2011	Chaudhary et al. ....	D24/147		

\* cited by examiner

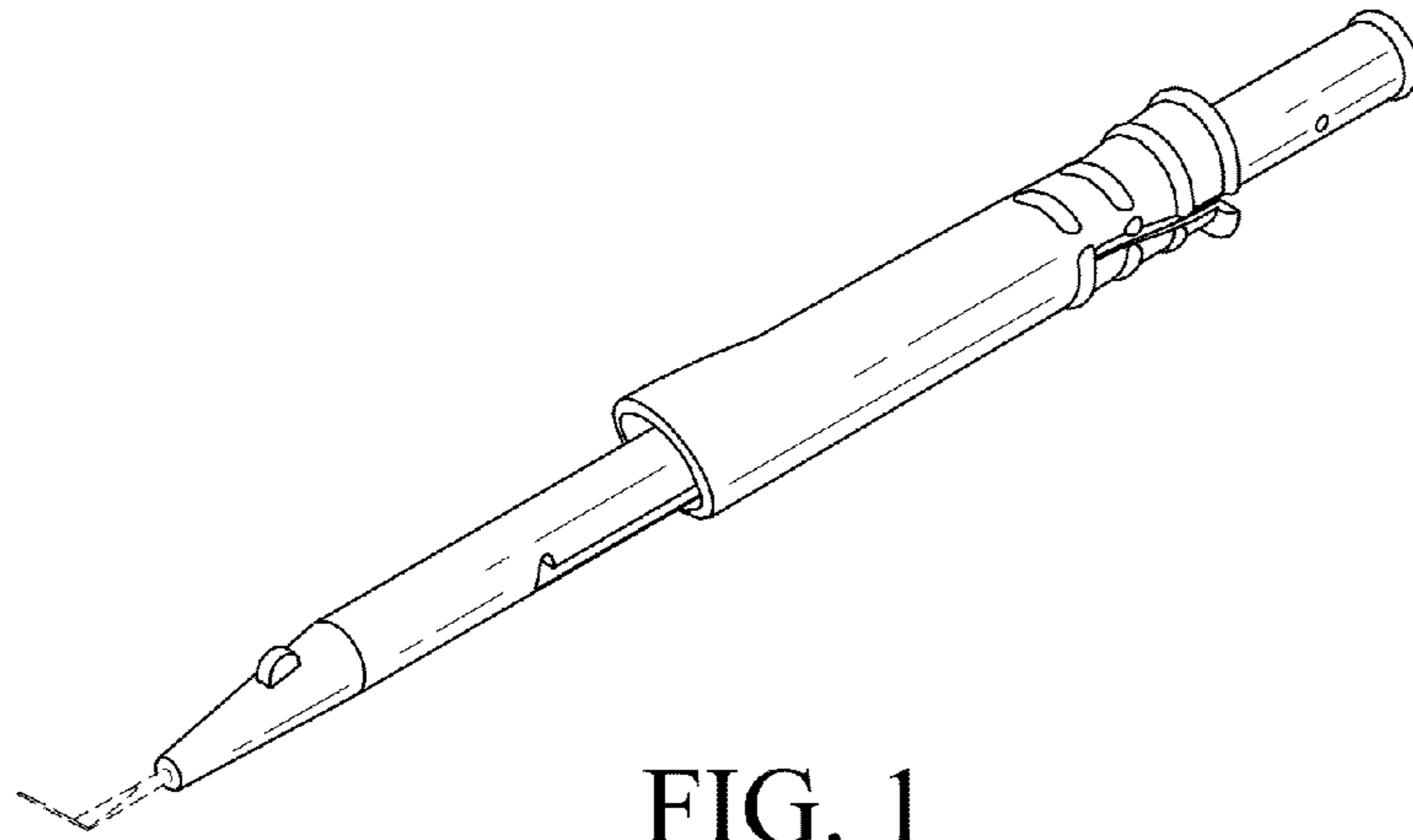


FIG. 1

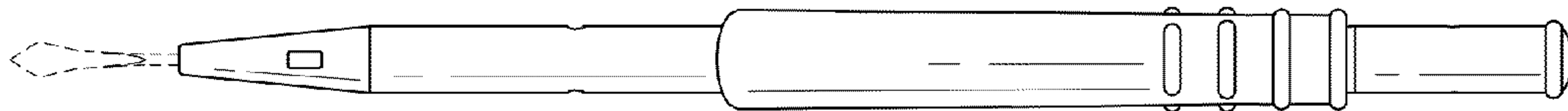


FIG. 2

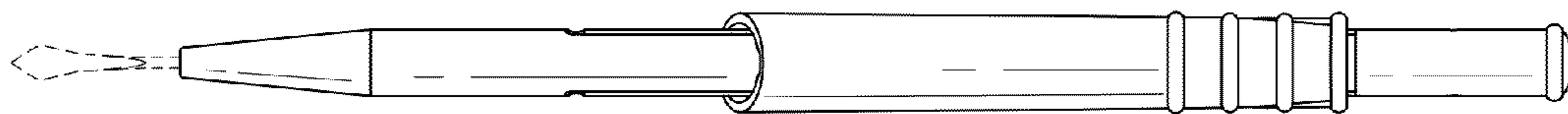


FIG. 3

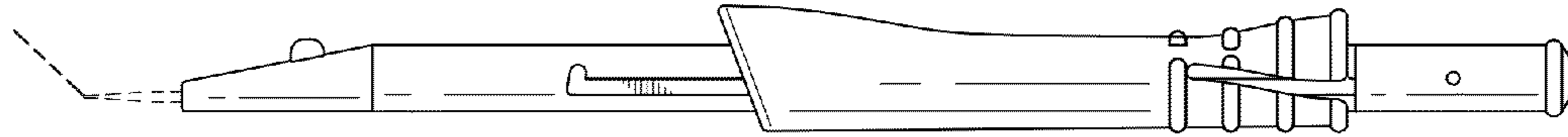


FIG. 4



FIG. 5

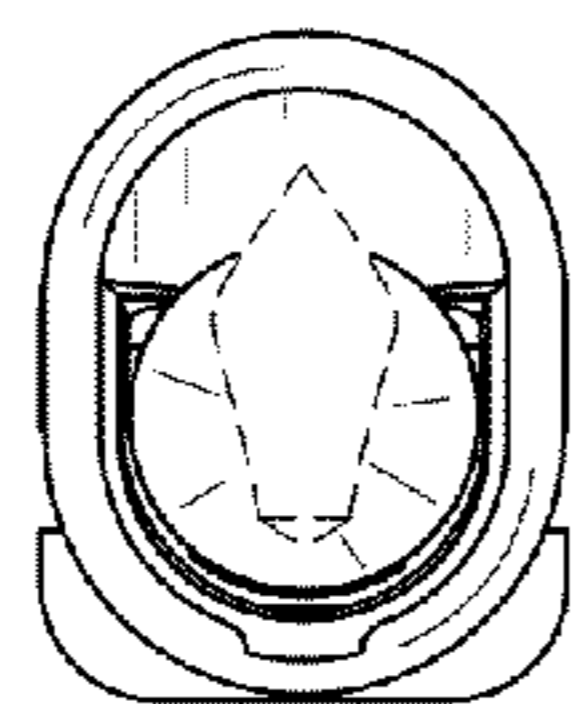


FIG. 6

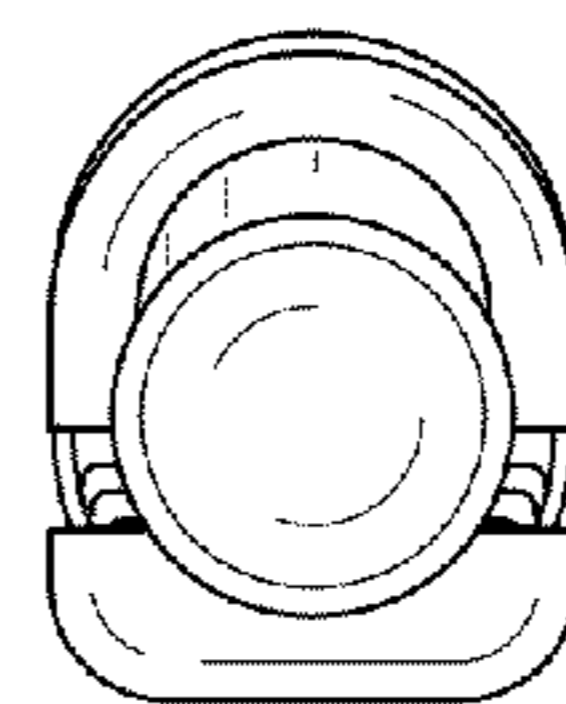


FIG. 7

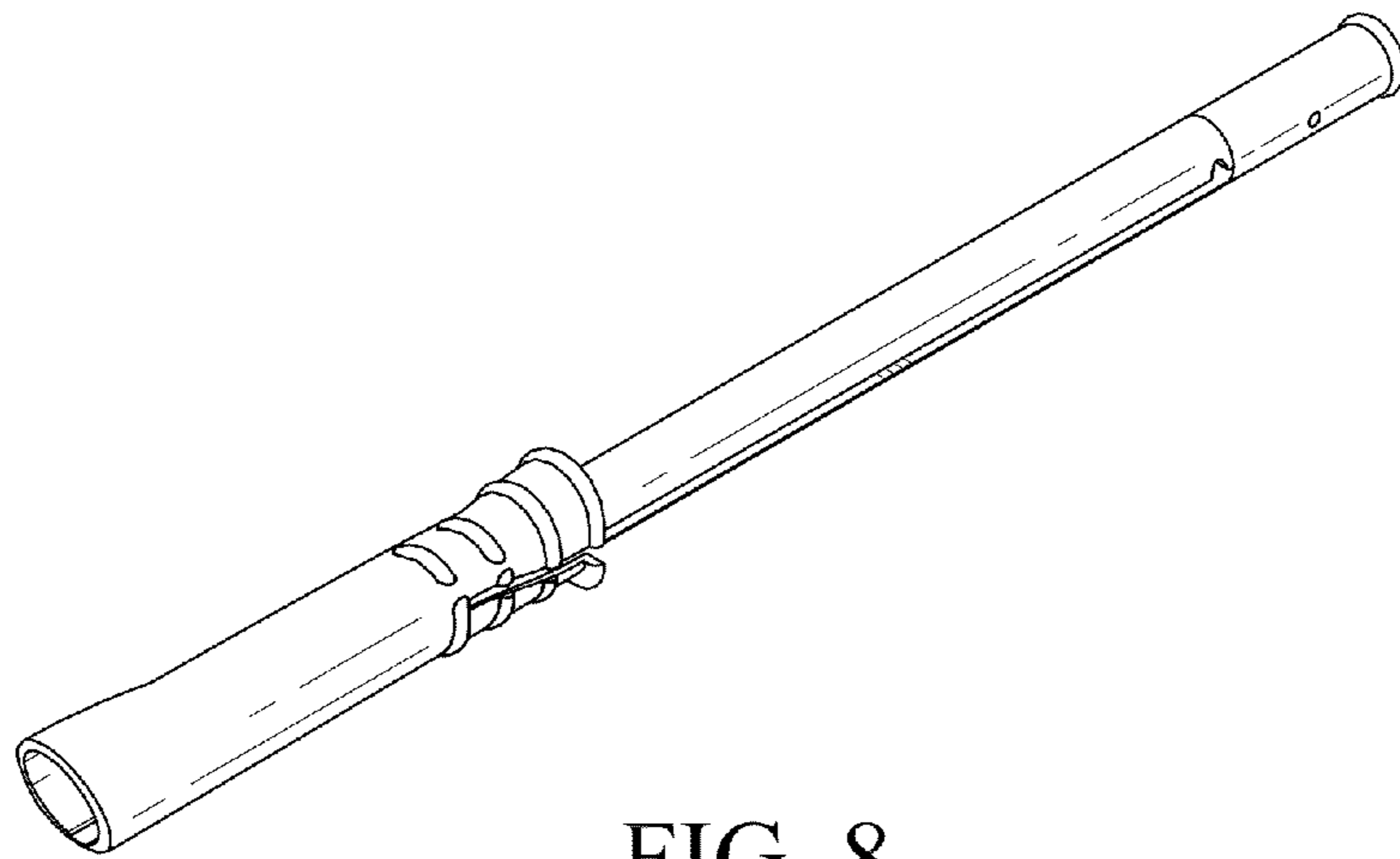


FIG. 8

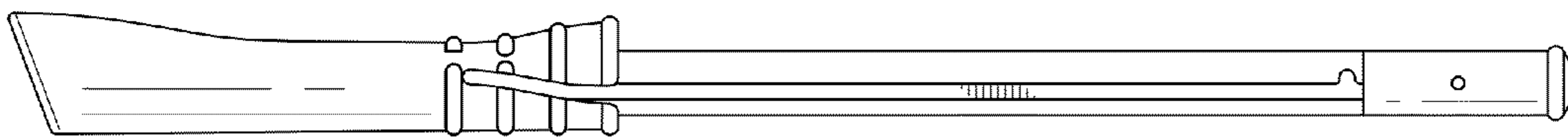


FIG. 9

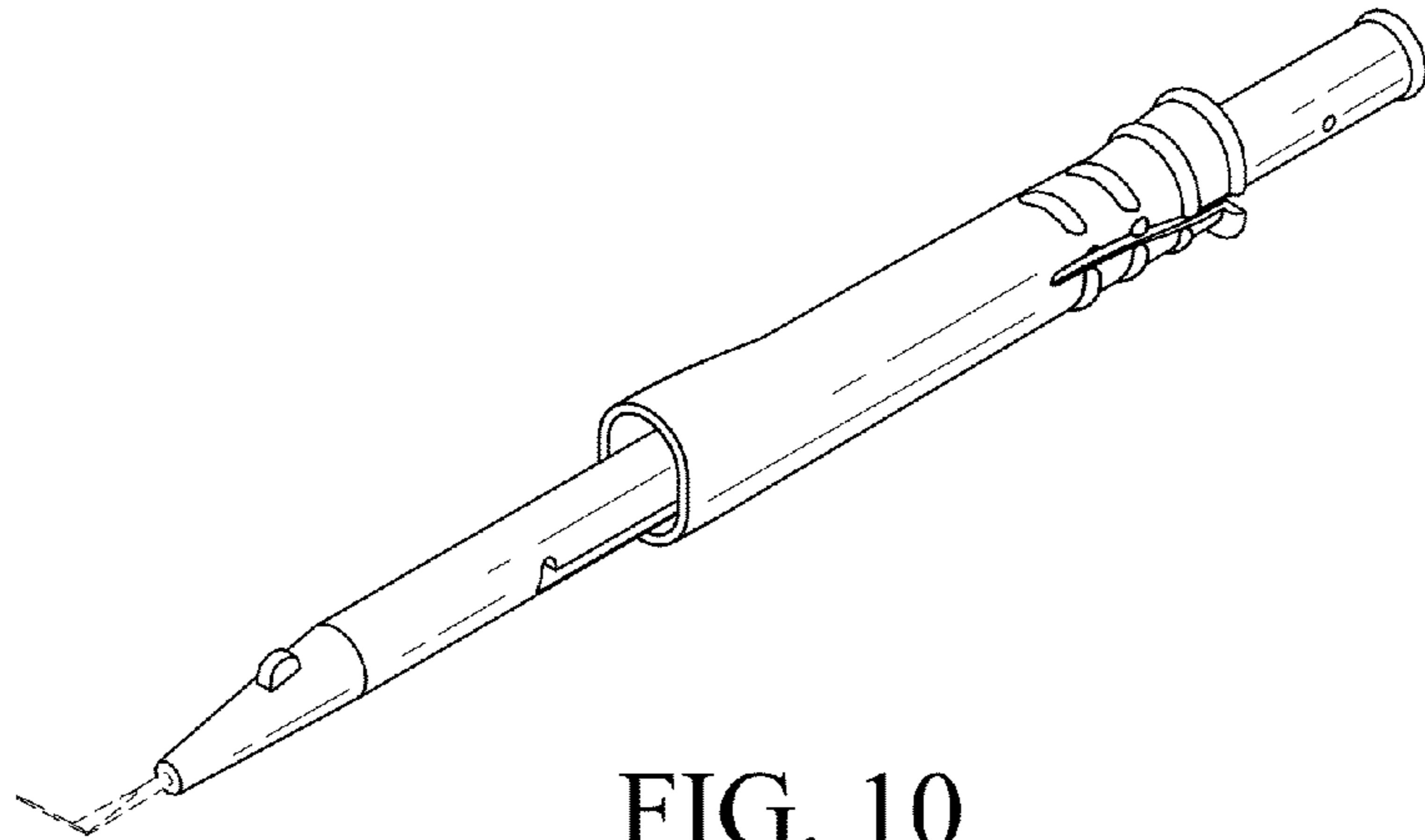


FIG. 10



FIG. 11



FIG. 12

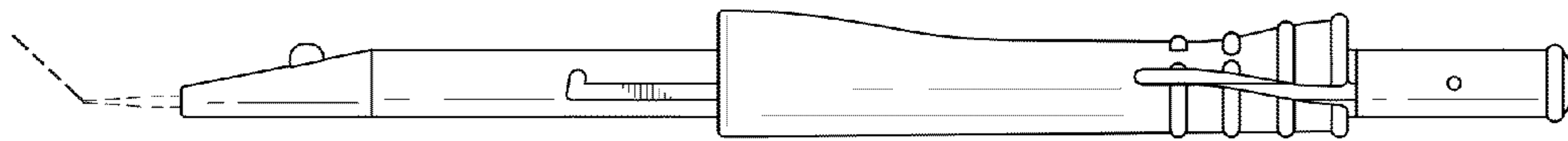


FIG. 13

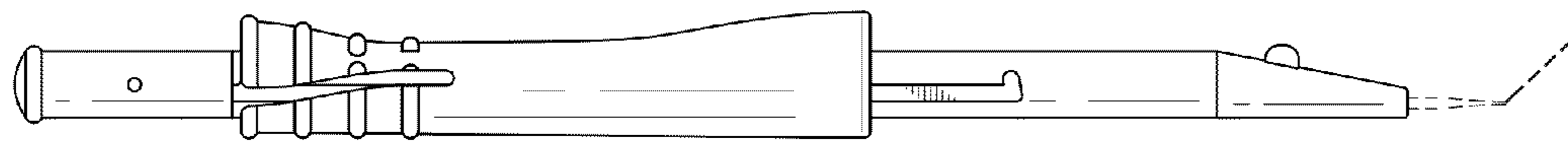


FIG. 14

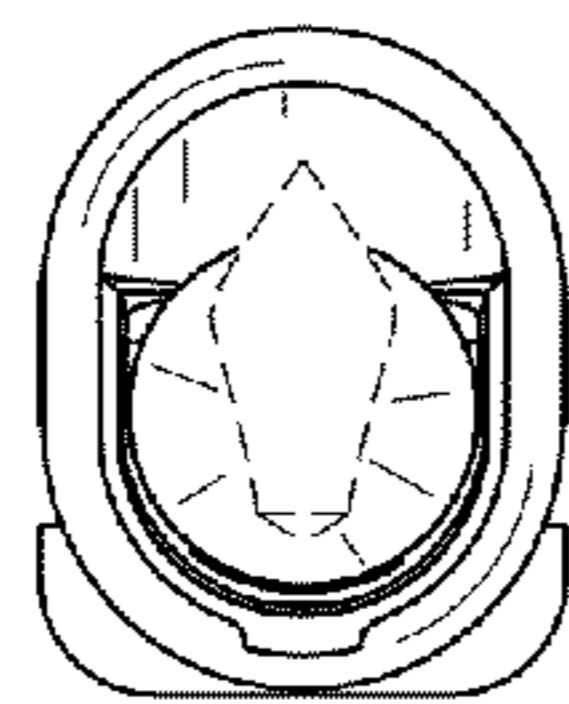


FIG. 15

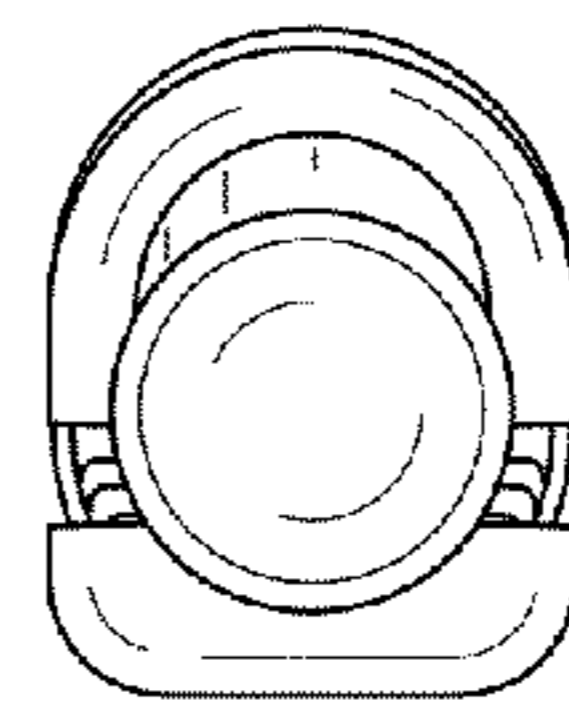


FIG. 16

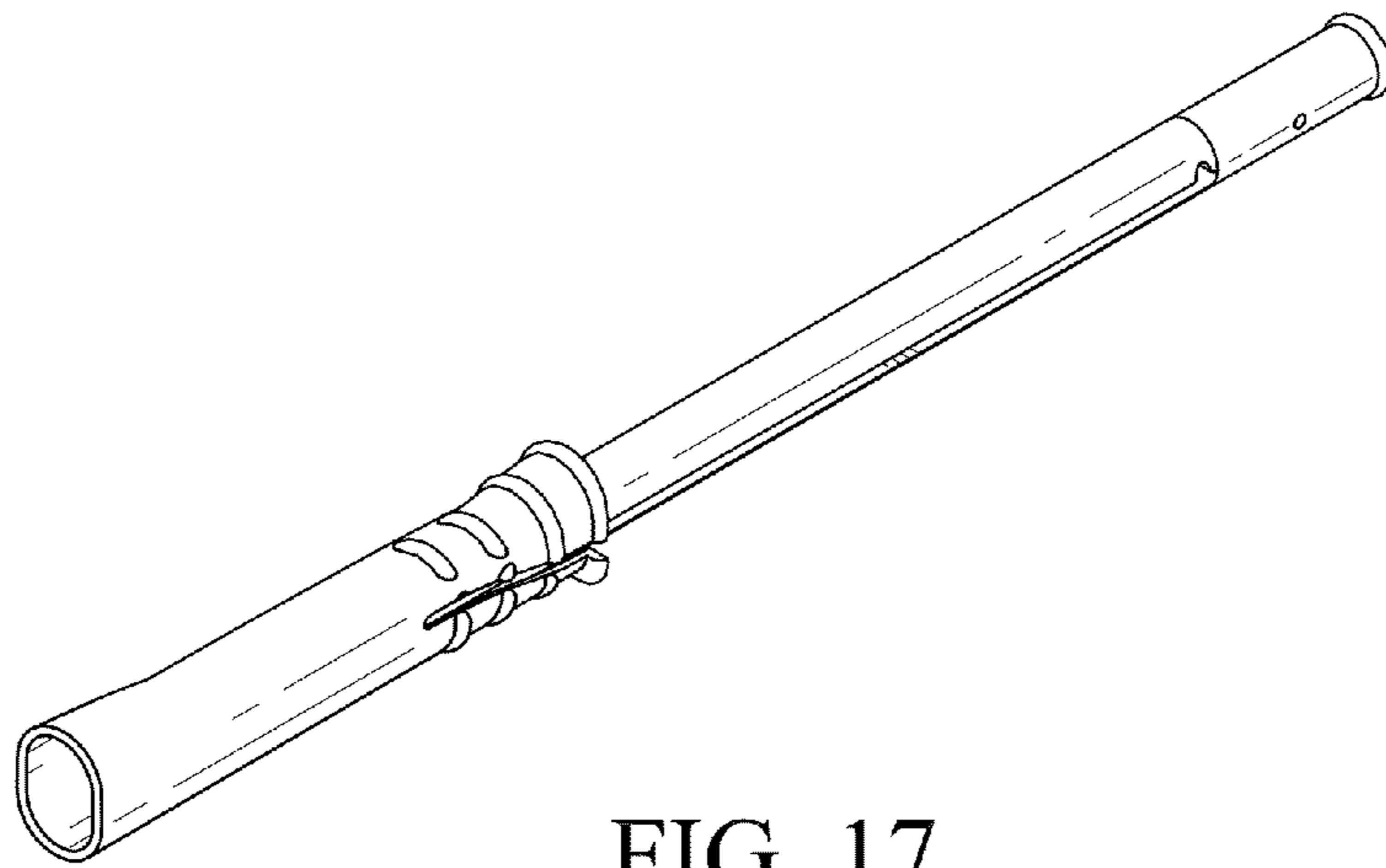


FIG. 17

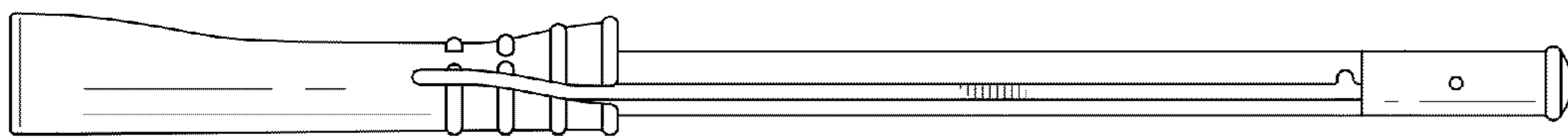


FIG. 18