



US00D750776S

(12) **United States Design Patent**  
**Lytle et al.**

(10) **Patent No.:** **US D750,776 S**  
(45) **Date of Patent:** **\*\* Mar. 1, 2016**

(54) **SURGICAL ALIGNMENT DEVICE**

(71) Applicants: **Andrew B. Lytle**, Farmington Hills, MI (US); **James J. Verner**, Beverly Hills, MI (US)

(72) Inventors: **Andrew B. Lytle**, Farmington Hills, MI (US); **James J. Verner**, Beverly Hills, MI (US)

(\*\*) Term: **14 Years**

(21) Appl. No.: **29/483,361**

(22) Filed: **Feb. 27, 2014**

(51) **LOC (10) Cl.** ..... **24-02**

(52) **U.S. Cl.**  
USPC ..... **D24/140**

(58) **Field of Classification Search**  
USPC ..... D24/140, 133; D10/64, 71; 33/1 LE, 33/3 A, 274, 286, 496, 501.08; 606/102  
CPC ..... G01B 3/02; G01B 3/04; G01B 3/06; G01B 3/08; G01B 5/14; A61F 2002/4625; A61F 2/4657; A61F 2002/4658; A61B 19/46; A61B 2019/461; A61B 2019/462  
See application file for complete search history.

(56) **References Cited**

**U.S. PATENT DOCUMENTS**

2,189,245 A \* 2/1940 Guinez ..... B43L 13/001  
33/471  
2,920,392 A \* 1/1960 Stromquist ..... G01B 3/563  
33/424

(Continued)

**FOREIGN PATENT DOCUMENTS**

GB 2087425 \* 12/1999  
JP D1497774 \* 5/2014

**OTHER PUBLICATIONS**

Chris Balm Antique & Vintage Watches. <URL: <http://www.cjbalm.com/auto-aero/mitem27.htm>>. Visited Oct. 5, 2015. Goodyear Advertising Folding Steel Ruler.\*

*Primary Examiner* — Bridget L Eland

*Assistant Examiner* — Lauren McVey

(74) *Attorney, Agent, or Firm* — Honigman Miller Schwartz and Cohn LLP

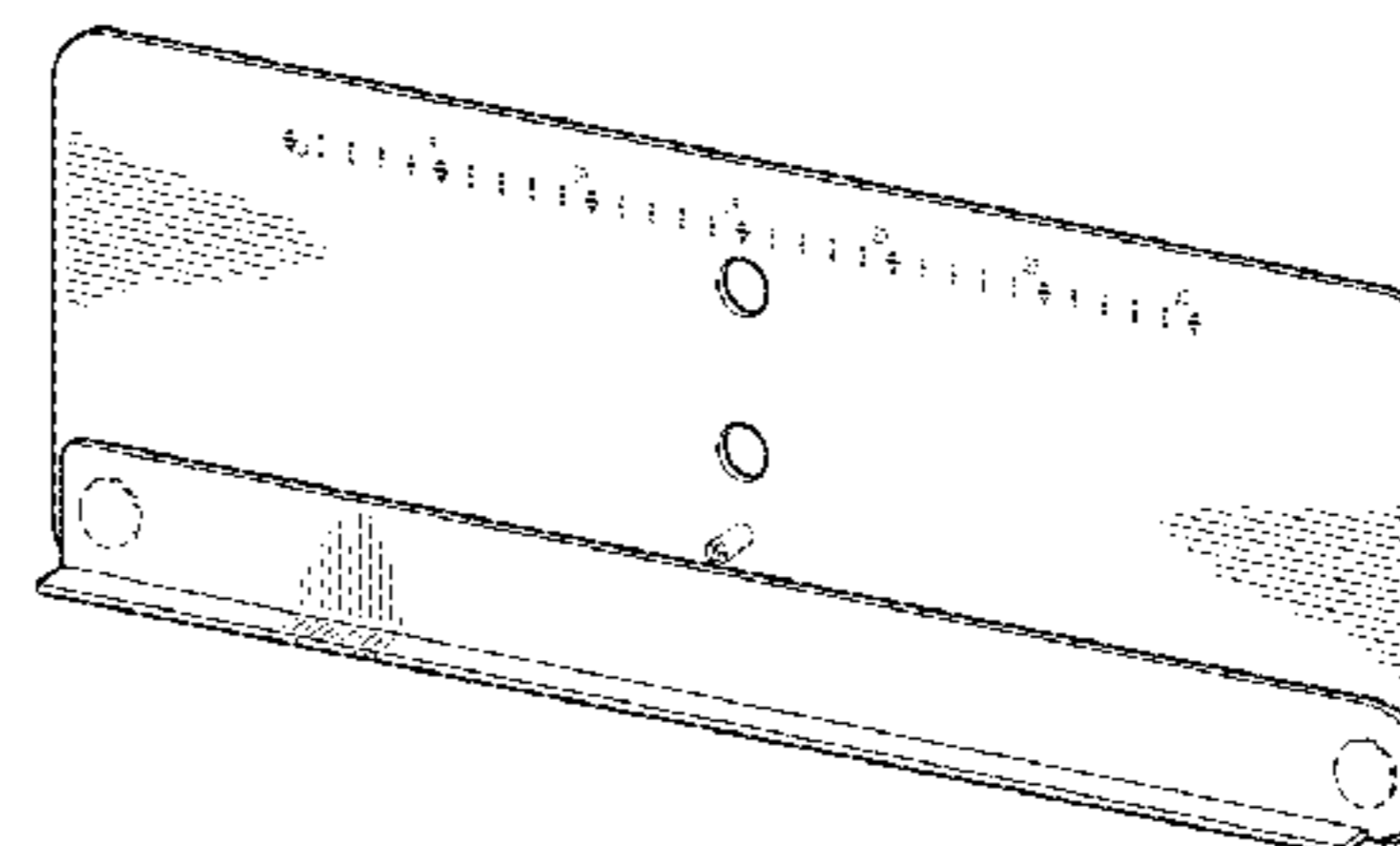
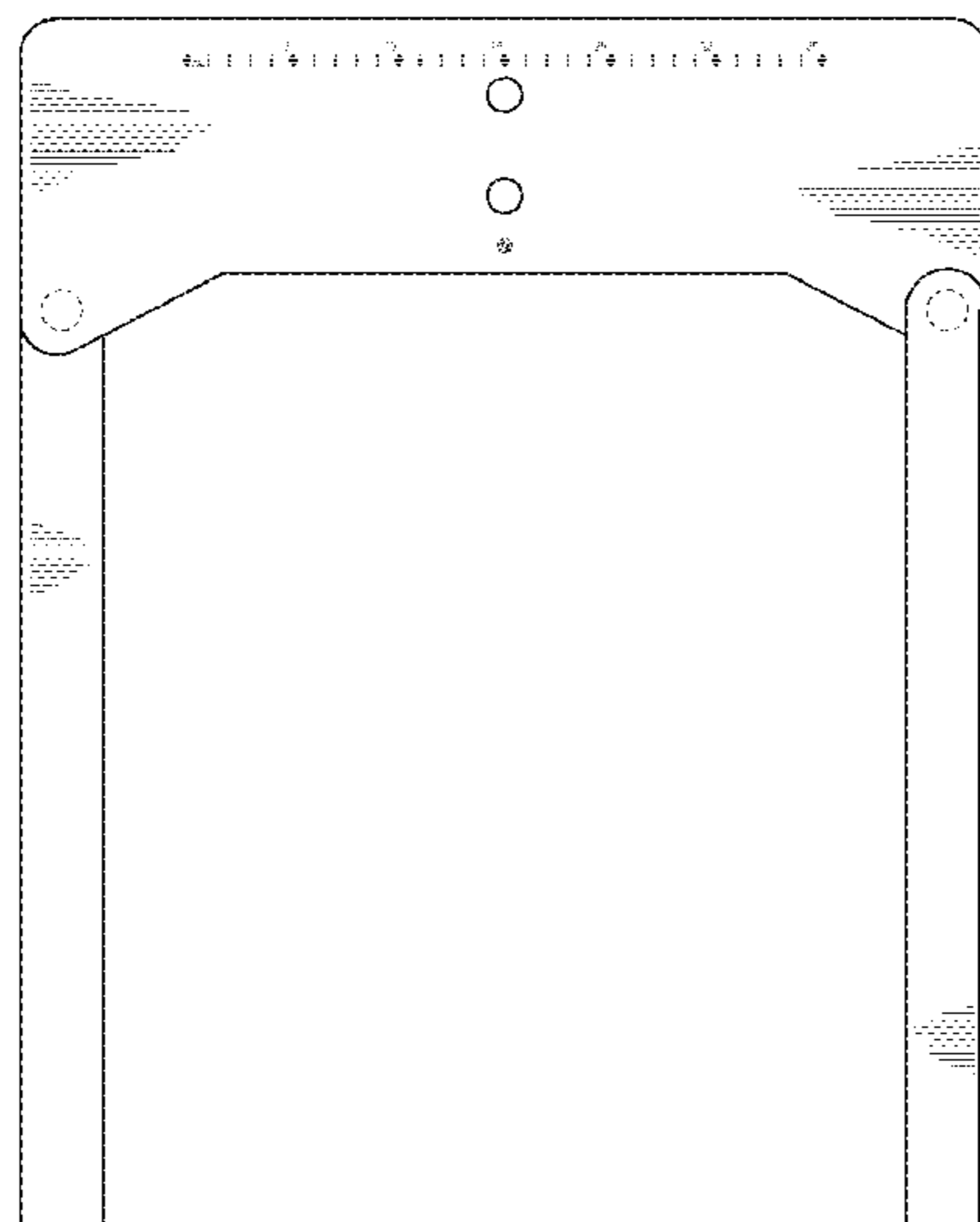
(57) **CLAIM**

The ornamental design for an surgical alignment device, as shown and described.

**DESCRIPTION**

FIG. 1 is a perspective view of an surgical alignment device in a first position;  
FIG. 2 is a front view of the alignment device of FIG. 1;  
FIG. 3 is a back view of the alignment device of FIG. 1;  
FIG. 4 is a left view of the alignment device of FIG. 1;  
FIG. 5 is a right view of the alignment device of FIG. 1;  
FIG. 6 is a top view of the alignment device of FIG. 1;  
FIG. 7 is a bottom view of the alignment device of FIG. 1;  
FIG. 8 is a perspective view of an surgical alignment device in a second position;  
FIG. 9 is a front view of the alignment device of FIG. 8;  
FIG. 10 is a back view of the alignment device of FIG. 8;  
FIG. 11 is a left view of the alignment device of FIG. 8;  
FIG. 12 is a right view of the alignment device of FIG. 8;  
FIG. 13 is a top view of the alignment device of FIG. 8; and,  
FIG. 14 is a bottom view of the alignment device of FIG. 8.  
The broken lines are directed to environment and form no part of the claimed design.

**1 Claim, 8 Drawing Sheets**



(56)

**References Cited**

U.S. PATENT DOCUMENTS

D261,302 S \* 10/1981 Wheeler ..... D10/73  
D310,044 S \* 8/1990 Alberts ..... D10/73  
6,648,891 B2 \* 11/2003 Kim ..... A61B 17/0206  
606/102  
D560,128 S \* 1/2008 Diederich ..... D10/73  
D635,473 S \* 4/2011 Hawks ..... D10/65

D647,206 S \* 10/2011 Massad ..... D24/140  
D667,952 S \* 9/2012 Zona ..... D24/140  
D682,425 S \* 5/2013 Nunes ..... D10/65  
D694,883 S \* 12/2013 Zamierowski ..... D24/133  
8,611,504 B2 12/2013 Kubiak  
D740,946 S \* 10/2015 Szabo ..... D24/158  
2006/0217737 A1 \* 9/2006 Iversen ..... A61F 2/4657  
606/102

\* cited by examiner

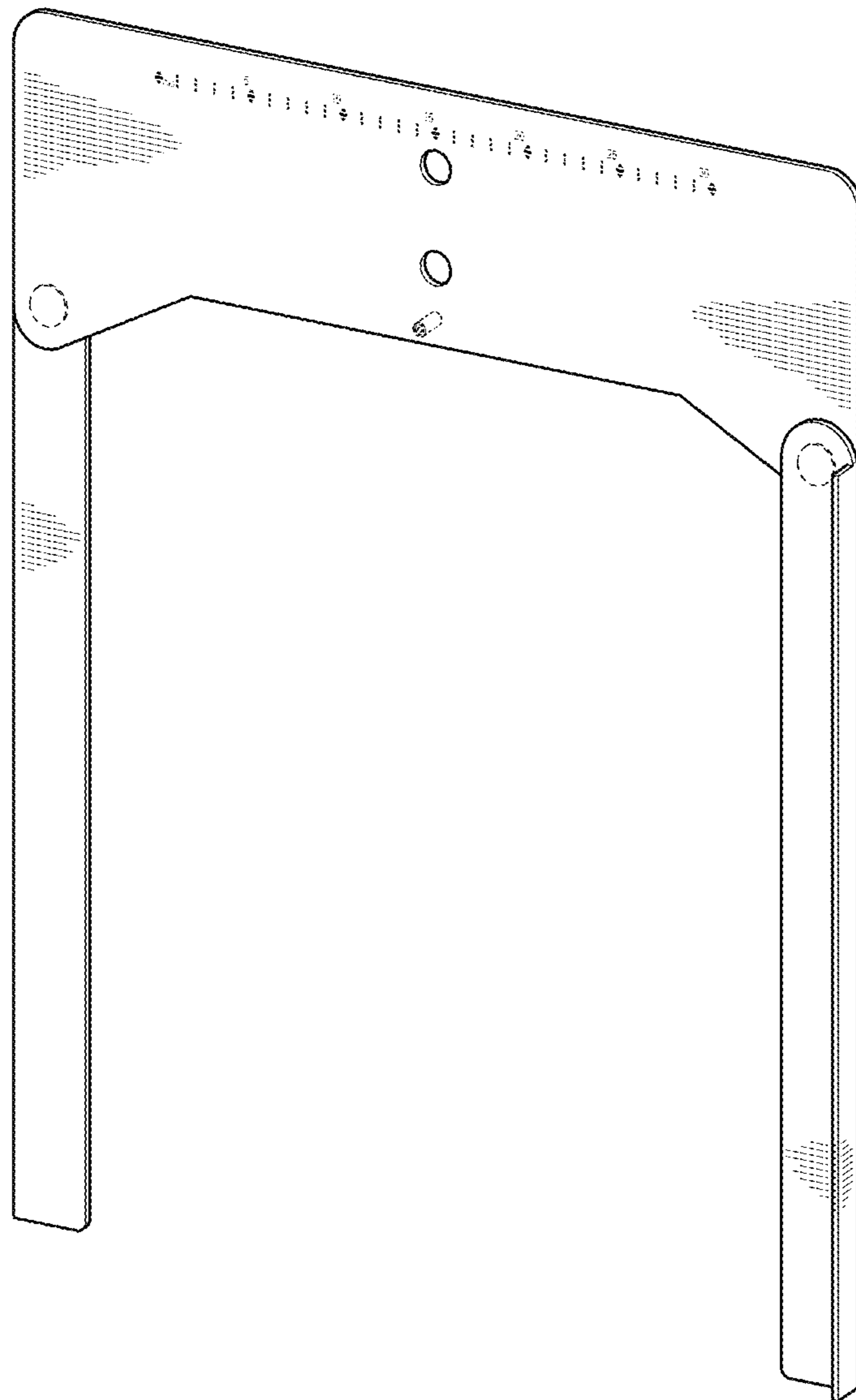


FIG. 1

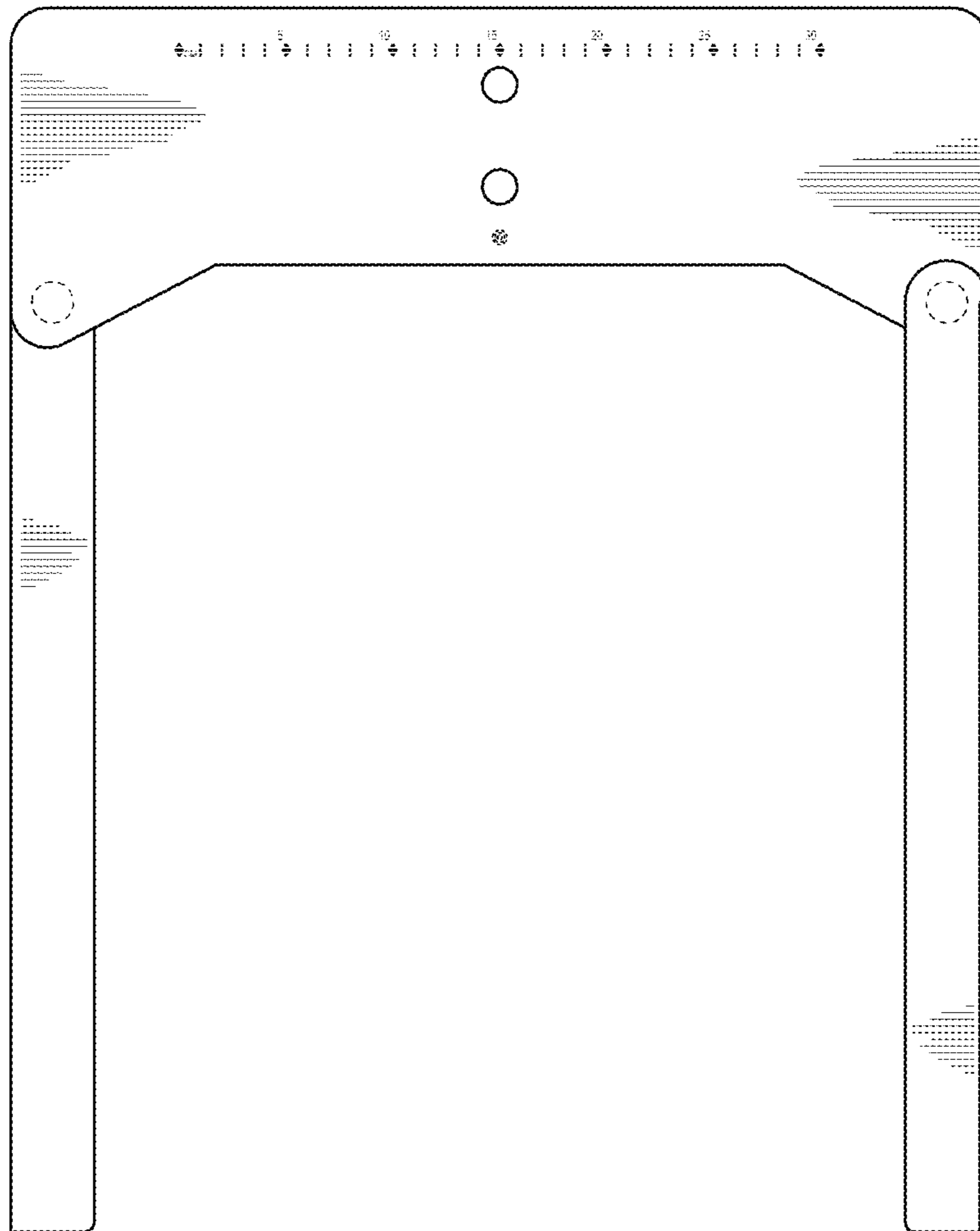


FIG. 2

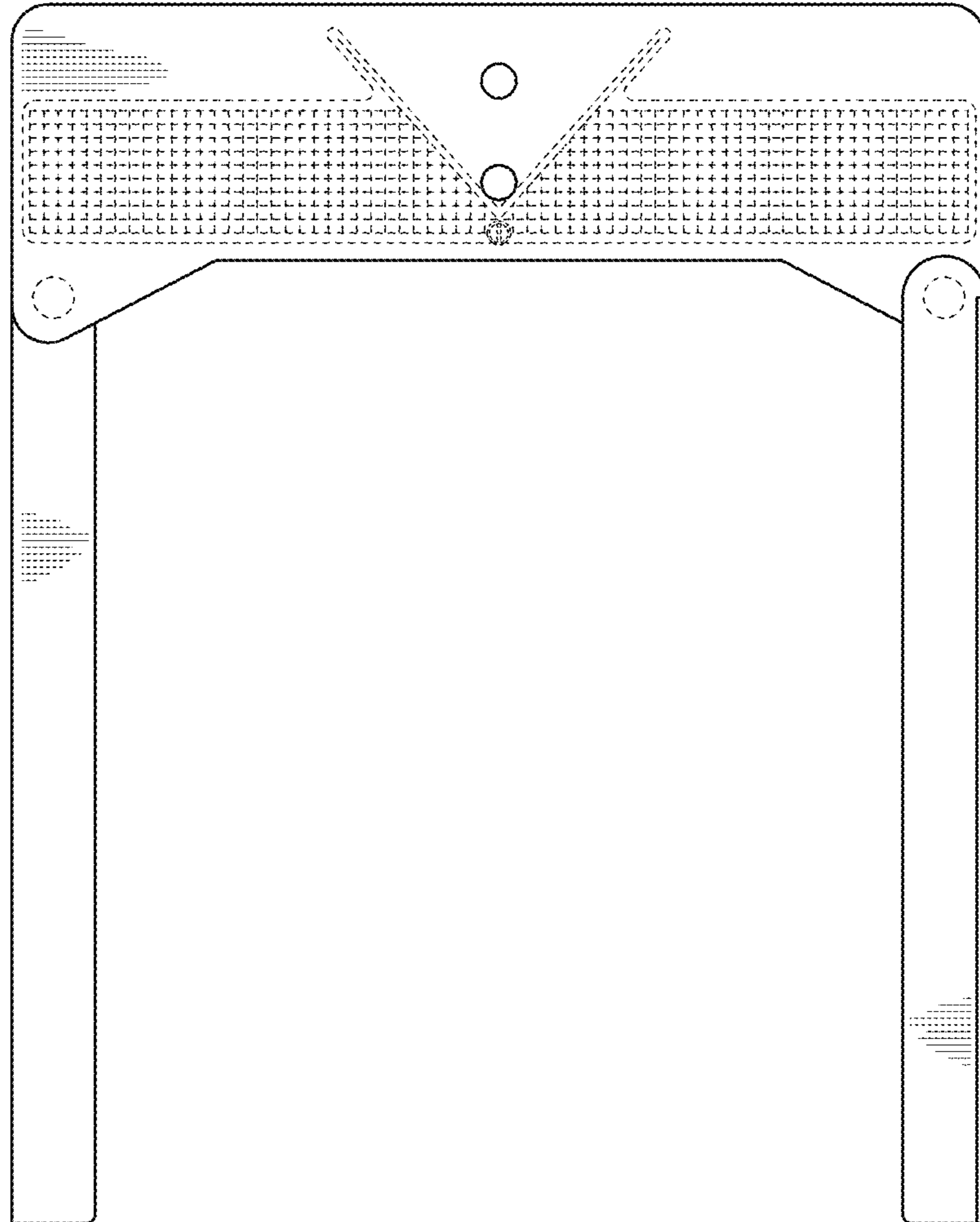


FIG. 3

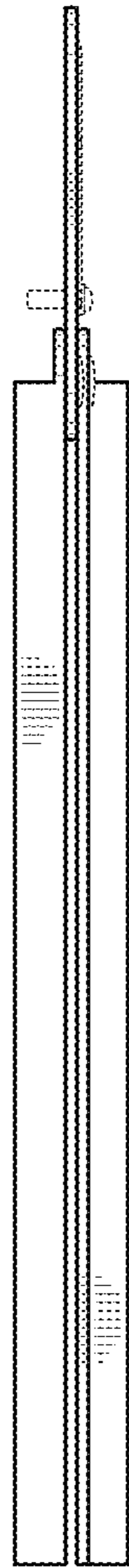


FIG. 4

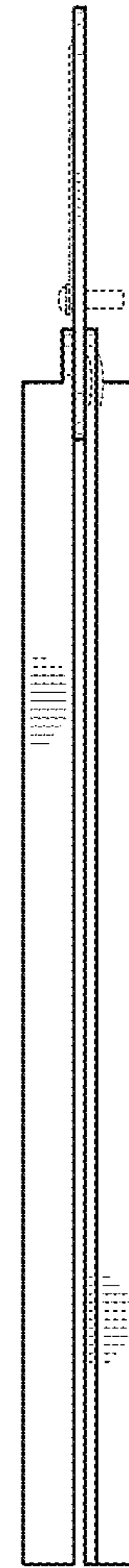


FIG. 5

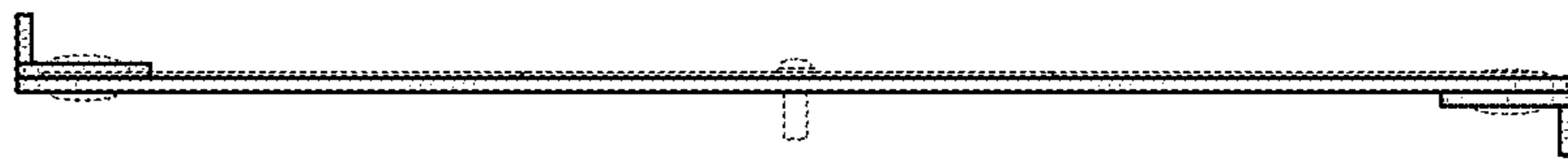


FIG. 6

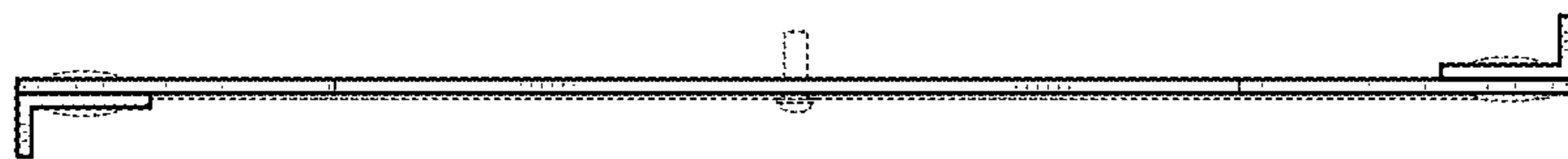


FIG. 7

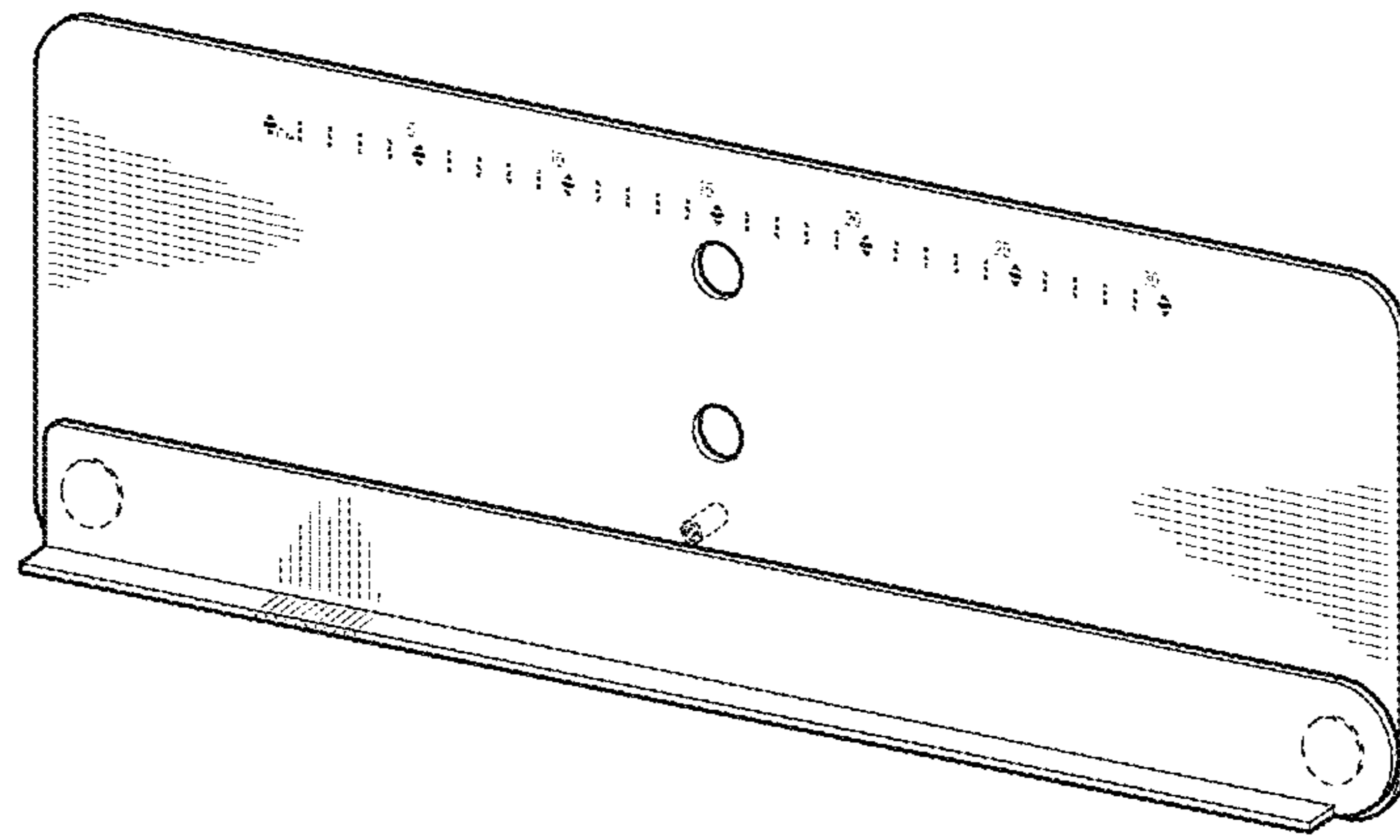


FIG. 8



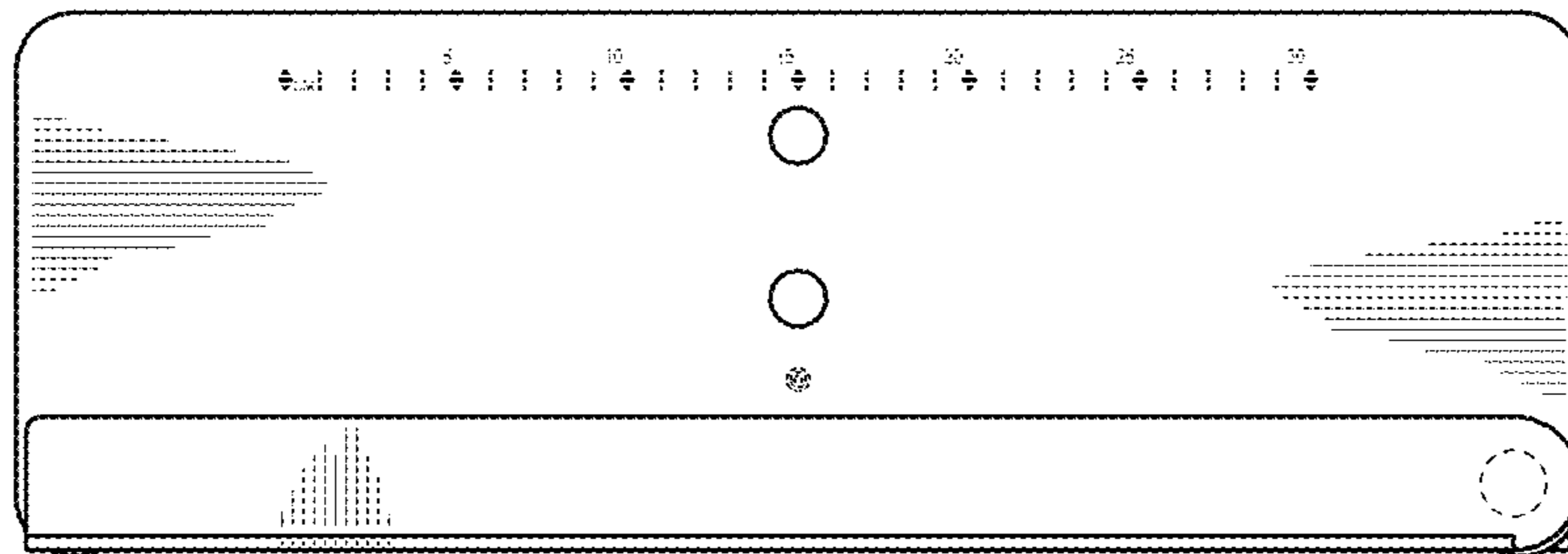


FIG. 9

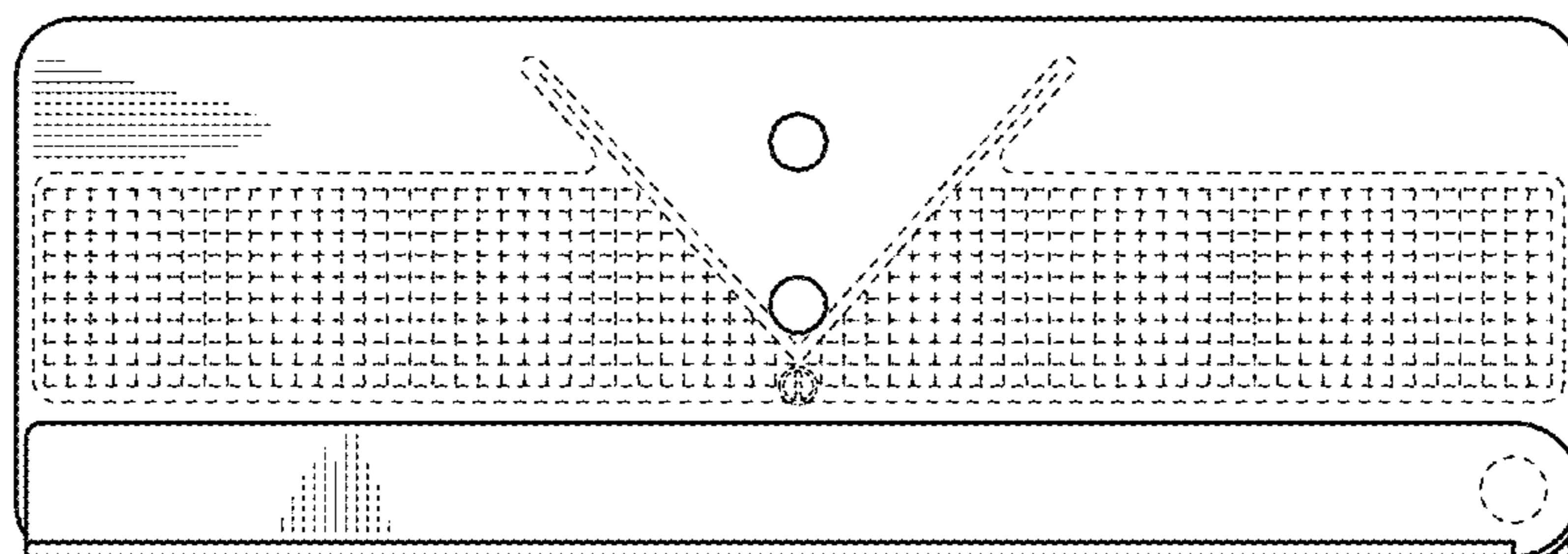


FIG. 10

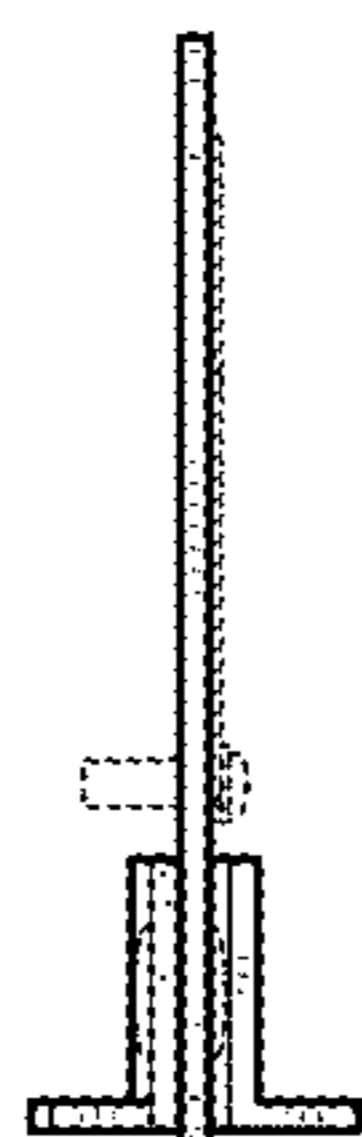


FIG. 11

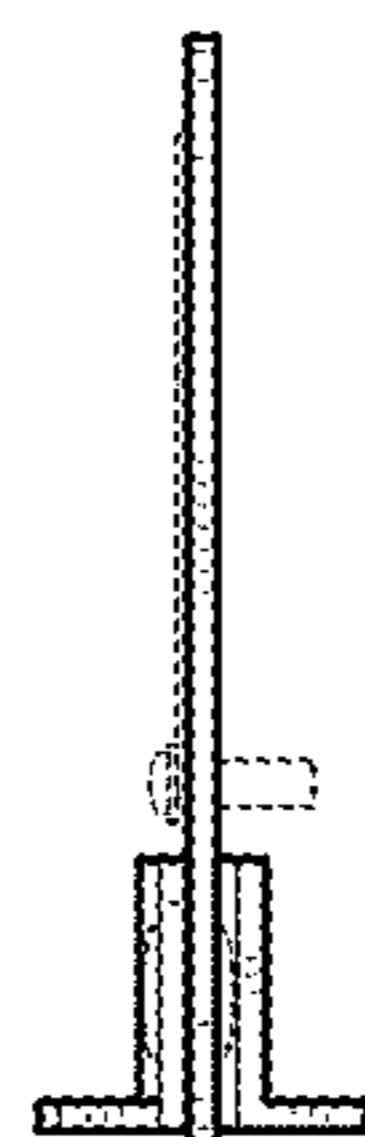


FIG. 12

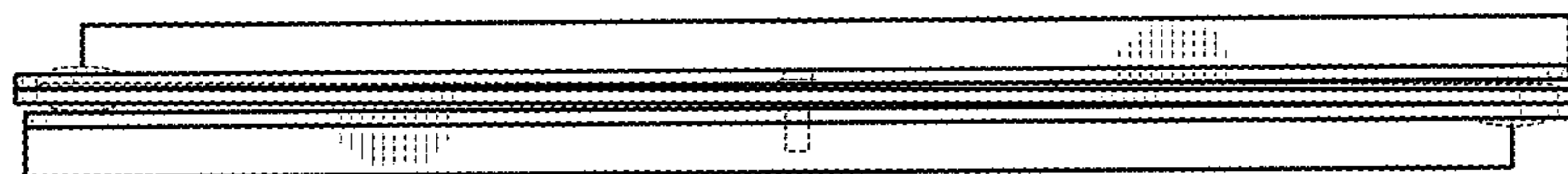


FIG. 13

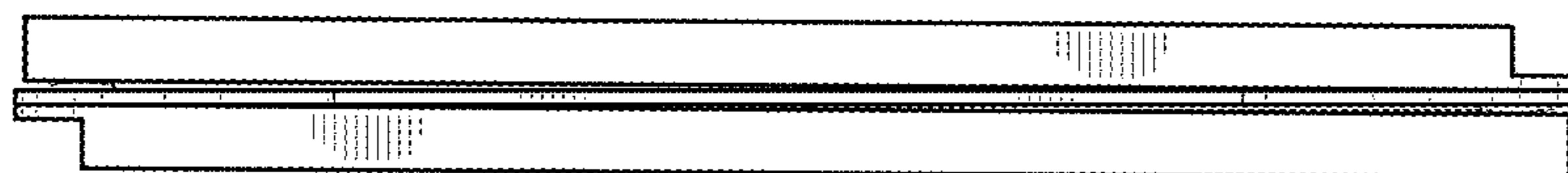


FIG. 14

UNITED STATES PATENT AND TRADEMARK OFFICE  
**CERTIFICATE OF CORRECTION**

PATENT NO. : D750,776 S  
APPLICATION NO. : 29/483361  
DATED : March 01, 2016  
INVENTOR(S) : Andrew B. Lytle et al.

Page 1 of 1

It is certified that error appears in the above-identified patent and that said Letters Patent is hereby corrected as shown below:

On the Title Page

Column 1, line 3 (Title) should read:

ALIGNMENT DEVICE

Column 2, line 12 (Claim) should read:

The ornamental design for an alignment device, as shown and described.

Column 2, line 15 (Description) should read:

FIG. 1 is a perspective view of an alignment device in

Column 2, line 23 (Description) should read:

FIG. 8 is a perspective view of an alignment device in

Signed and Sealed this  
Fourteenth Day of June, 2016



Michelle K. Lee  
*Director of the United States Patent and Trademark Office*