



US00D750775S

(12) **United States Design Patent**  
**Carrel et al.**

(10) **Patent No.:** **US D750,775 S**  
(45) **Date of Patent:** **\*\* Mar. 1, 2016**

(54) **SYRINGE STOPPER**

(71) Applicant: **Becton Dickinson France**, Le Pont de  
Claix (FR)

(72) Inventors: **Franck Carrel**, Saint Jean de Vaulx  
(FR); **Lionel Maritan**, Pierre Chatel  
(FR)

(73) Assignee: **Becton Dickinson France**, Le  
Pont-de-Claix (FR)

(\*\*) Term: **14 Years**

(21) Appl. No.: **29/503,348**

(22) Filed: **Sep. 25, 2014**

(30) **Foreign Application Priority Data**

Mar. 28, 2014 (EM) ..... 002435610-0001

(51) **LOC (10) Cl.** ..... **24-02**

(52) **U.S. Cl.**  
USPC ..... **D24/130**

(58) **Field of Classification Search**  
USPC ..... D24/127-131, 112-114, 133, 186;  
606/181, 185; 604/264, 523-528, 272,  
604/187, 158, 164.01-164.11, 181, 184,  
604/227; 600/101, 139, 143; 128/200.24,  
128/207.14, 207.15  
CPC ..... A61M 25/00; A61M 39/00; A61M 27/00;  
A61M 25/0043; A61M 25/0067; A61M  
25/0097; A61F 2/958  
See application file for complete search history.

(56) **References Cited**

**U.S. PATENT DOCUMENTS**

D629,895 S \* 12/2010 Demleitner et al. .... D24/133  
D632,389 S \* 2/2011 Maeda et al. .... D24/130

D665,498 S \* 8/2012 Tamura et al. .... D24/130  
D675,729 S \* 2/2013 Wang ..... D24/108  
D677,794 S \* 3/2013 Prpa ..... D24/186  
D688,796 S \* 8/2013 Niunoya et al. .... D24/127  
D690,418 S \* 9/2013 Rosenquist ..... D24/129  
D710,498 S \* 8/2014 Koshidaka ..... D24/130  
D714,935 S \* 10/2014 Nishioka et al. .... D24/130  
D717,948 S \* 11/2014 Strong et al. .... D24/130  
D719,650 S \* 12/2014 Arinobe et al. .... D24/130  
D720,067 S \* 12/2014 Rosenquist ..... D24/129  
D720,452 S \* 12/2014 Jordan ..... D24/130  
D732,664 S \* 6/2015 Woehr et al. .... D24/130  
D733,291 S \* 6/2015 Wang ..... D24/129  
D733,293 S \* 6/2015 Rogers ..... D24/129

\* cited by examiner

*Primary Examiner* — David Muller

(74) *Attorney, Agent, or Firm* — The Webb Law Firm

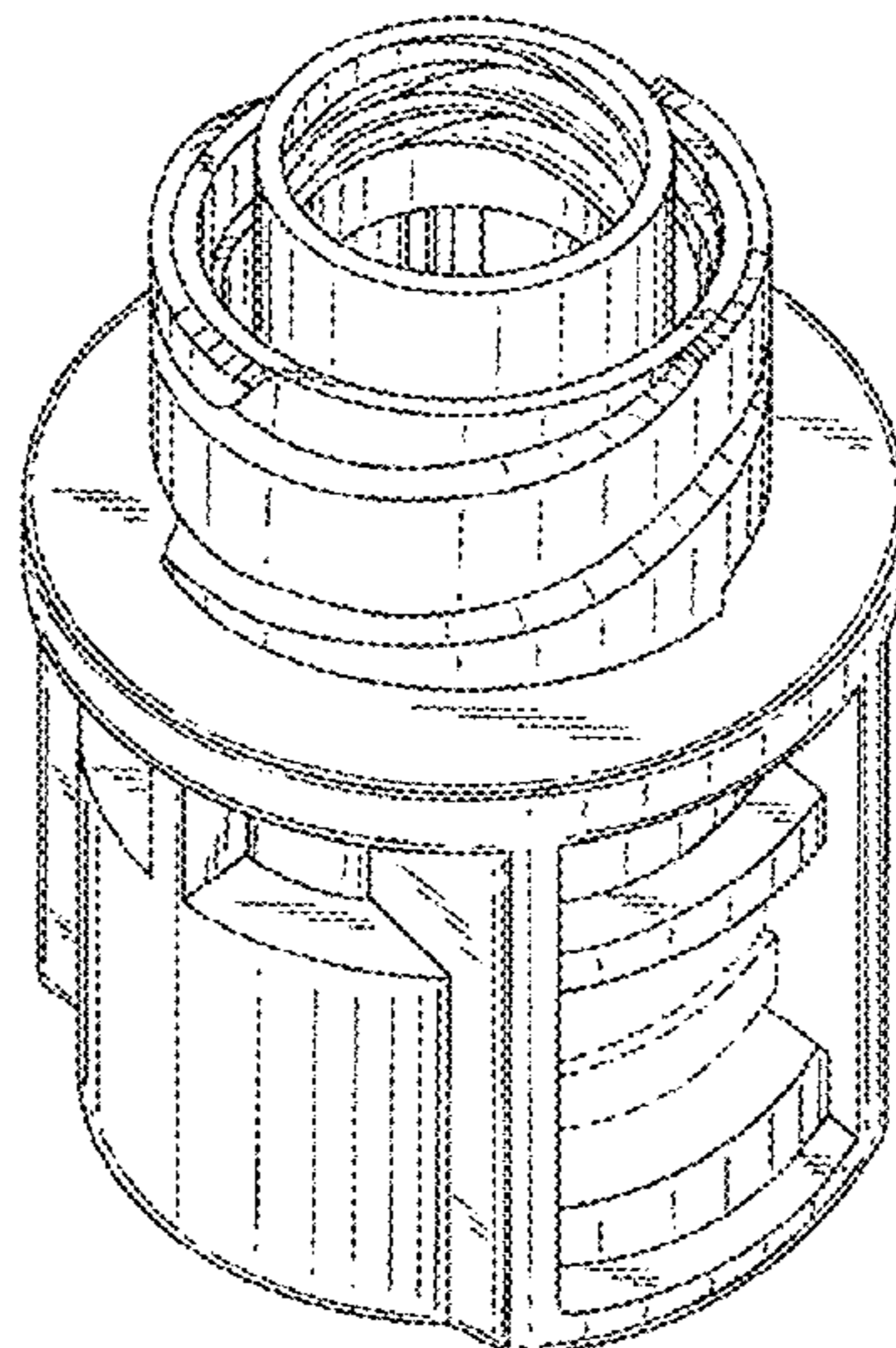
(57) **CLAIM**

The ornamental design for a syringe stopper, as shown and described.

**DESCRIPTION**

FIG. 1 is a top perspective view of a syringe stopper in accordance with the present invention;  
FIG. 2 is a front elevation view thereof, the rear view being a mirror image;  
FIG. 3 is a right side elevation view thereof, with the left side view being a mirror image;  
FIG. 4 is an angled side elevation view thereof;  
FIG. 5 is a top plan view thereof;  
FIG. 6 is a bottom plan view thereof; and,  
FIG. 7 is a bottom perspective view thereof.  
The broken line showing of parts of the drawings is included for the purpose of illustrating use and environment and forms no part of the claimed design.

**1 Claim, 4 Drawing Sheets**



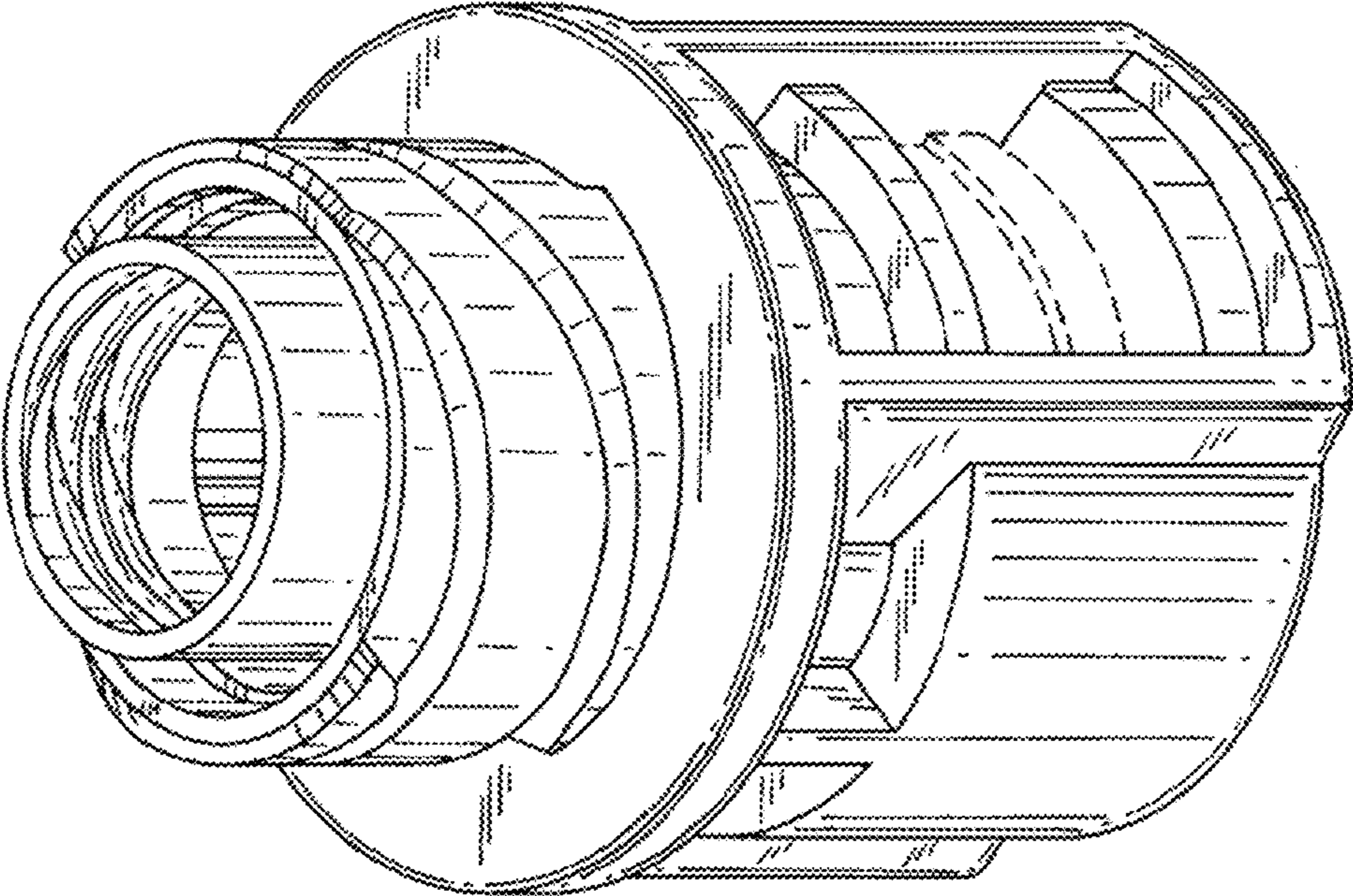


FIG. 1

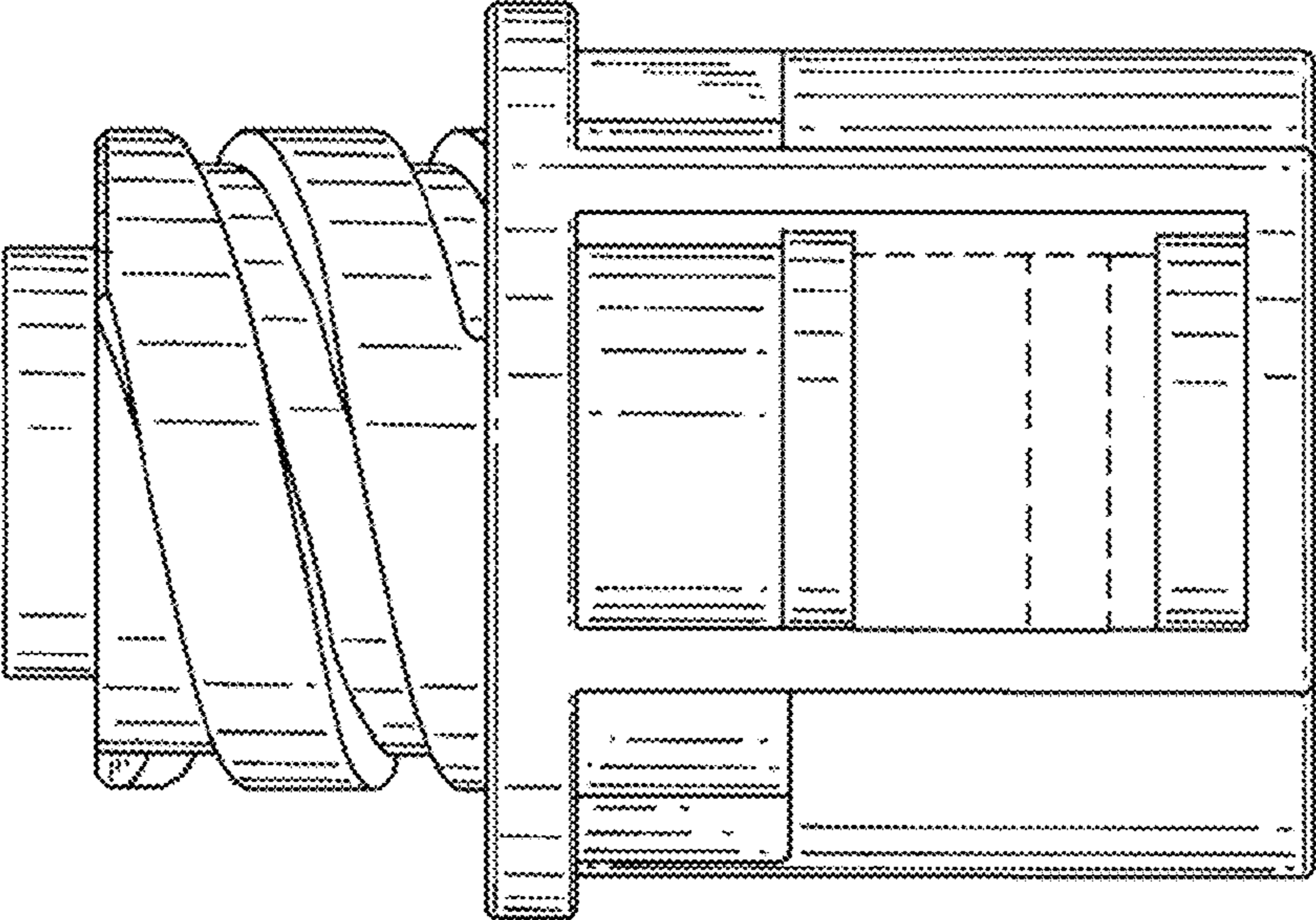


FIG. 2

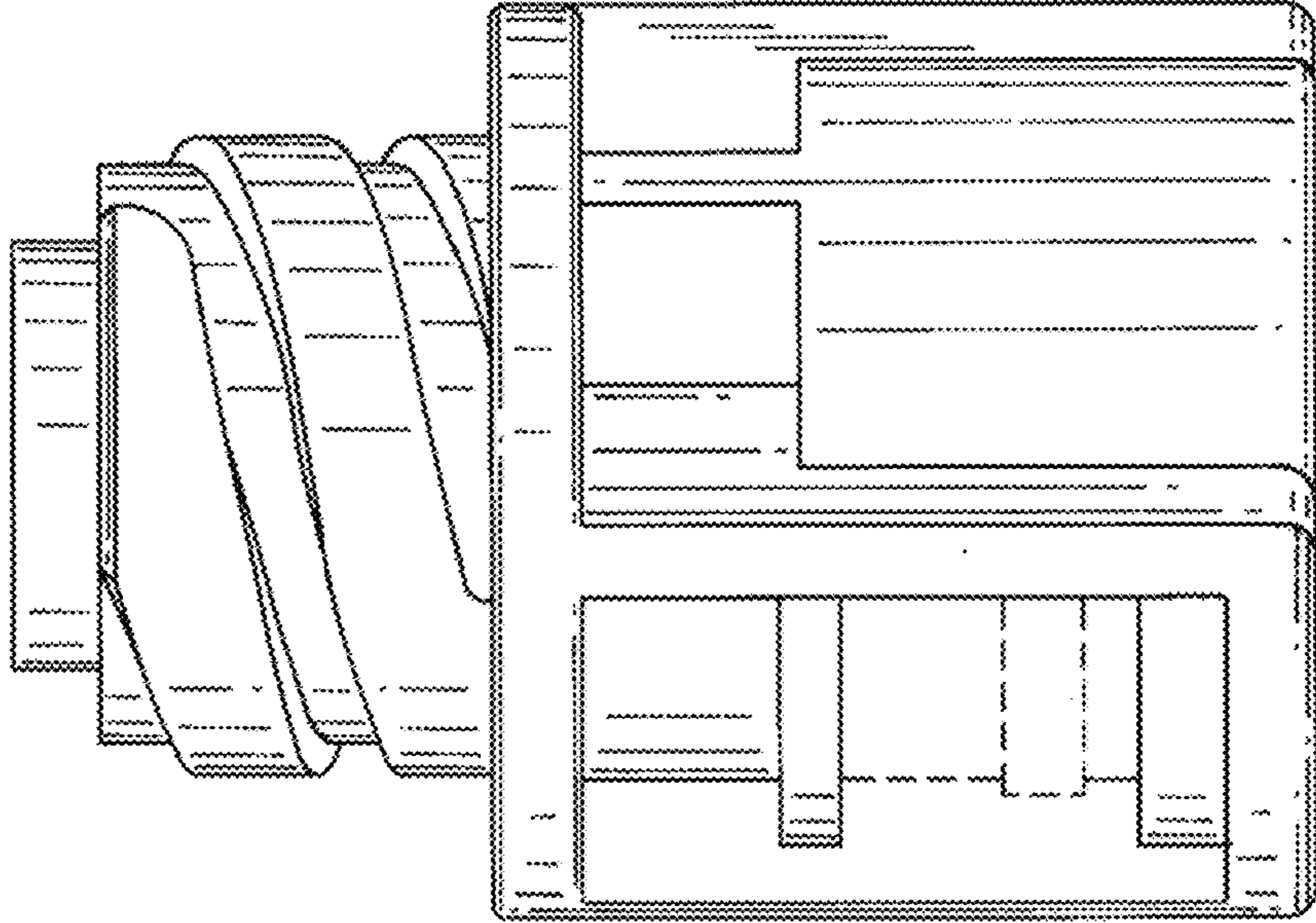


FIG. 4

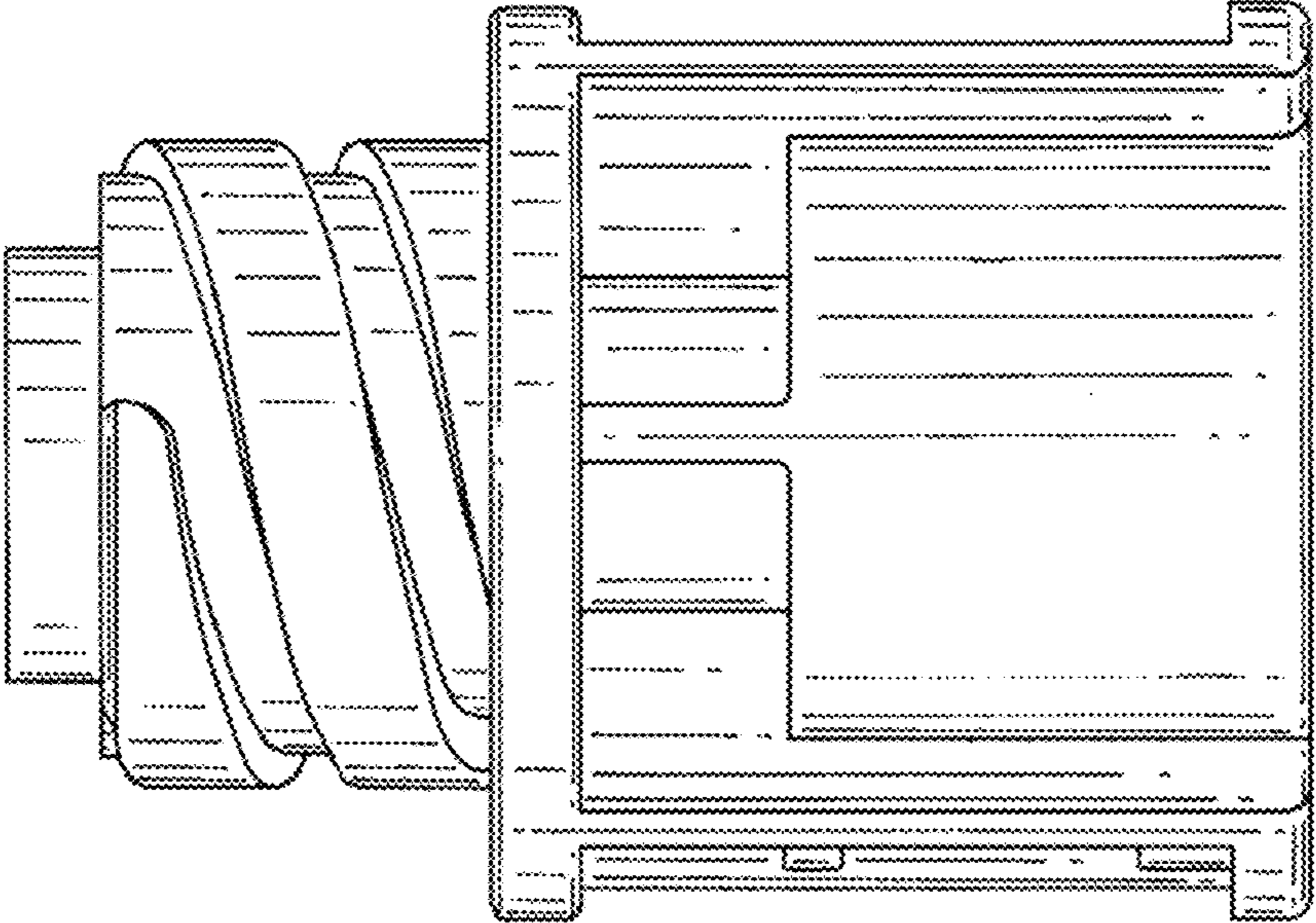


FIG. 3

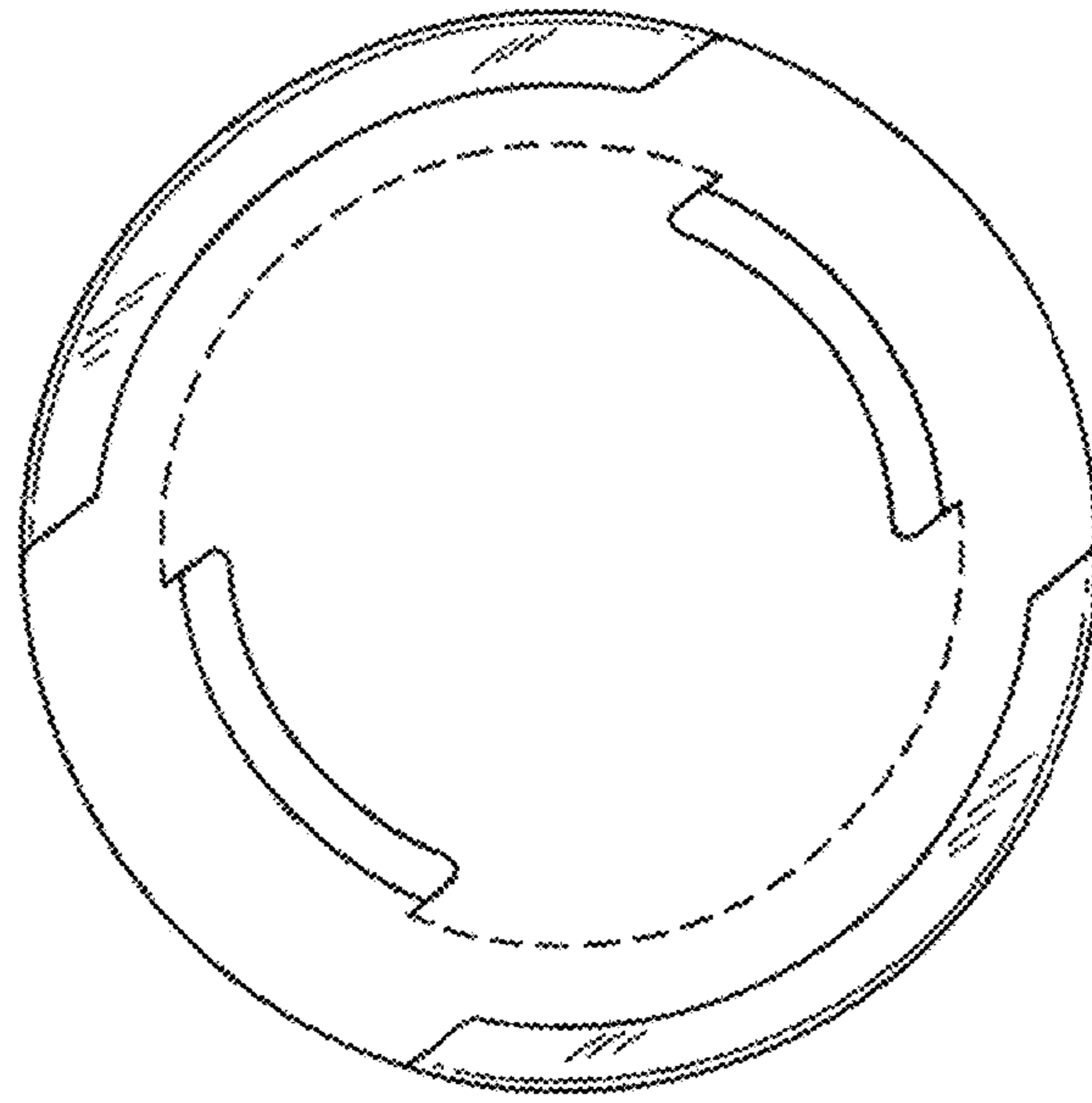


FIG. 6

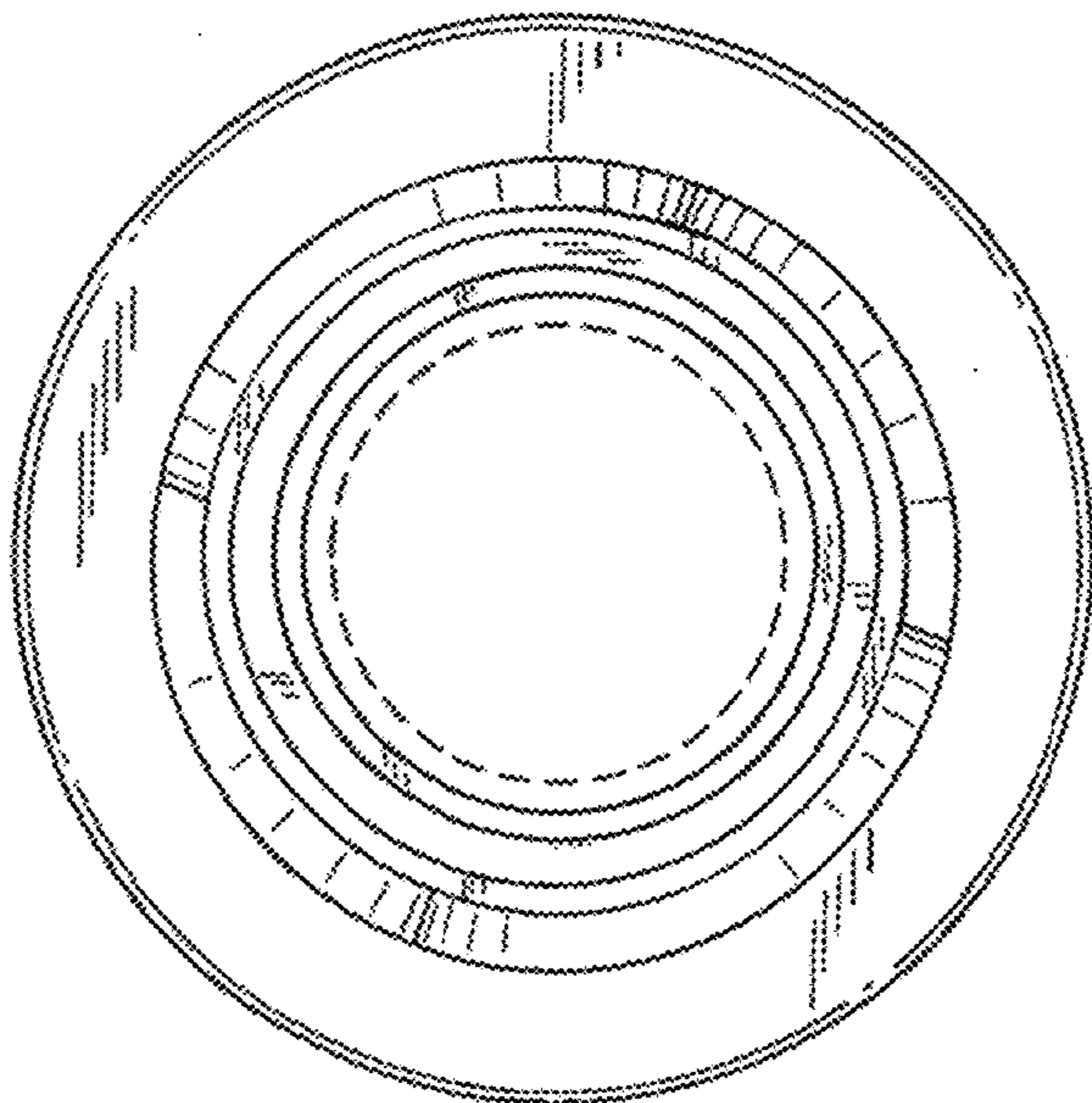


FIG. 5

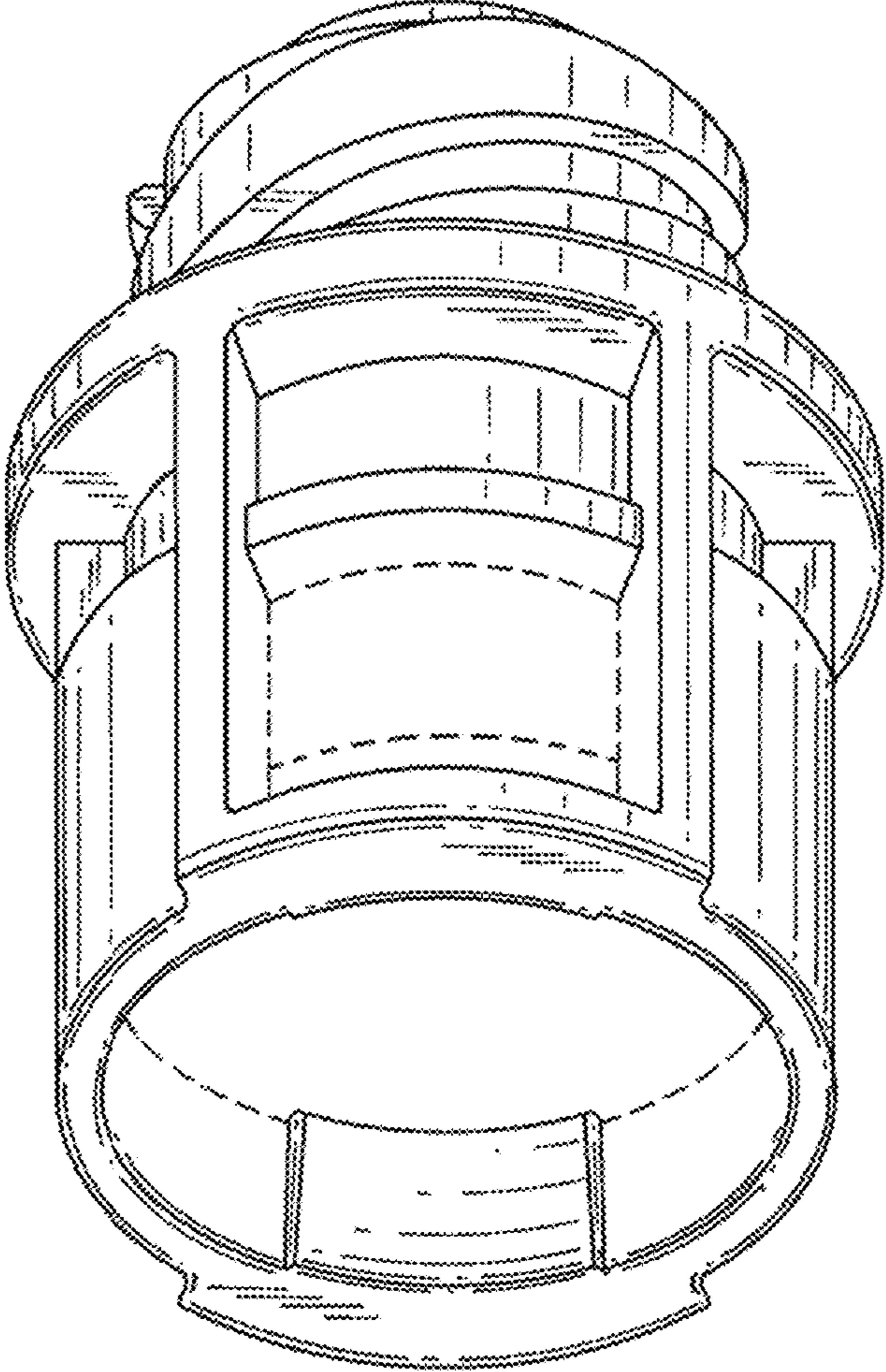


FIG.7